

US00D666276S

(12) **United States Design Patent**
Fritz

(10) **Patent No.:** **US D666,276 S**

(45) **Date of Patent:** **** Aug. 28, 2012**

(54) **FAUCET**

(75) Inventor: **Seth Fritz**, Carmel, IN (US)

(73) Assignee: **Masco Corporation of Indiana**,
Indianapolis, IN (US)

(**) Term: **14 Years**

(21) Appl. No.: **29/400,475**

(22) Filed: **Aug. 29, 2011**

(51) **LOC (9) Cl.** **23-01**

(52) **U.S. Cl.** **D23/238**

(58) **Field of Classification Search** D23/238,
D23/241-243, 250, 252, 255, 257; 4/675-678;
137/801

See application file for complete search history.

(56) **References Cited**

U.S. PATENT DOCUMENTS

D527,076 S * 8/2006 Kolin et al. D23/241
D612,457 S * 3/2010 Allard D23/255
D645,120 S * 9/2011 Lammel et al. D23/238

D646,358 S * 10/2011 Sieger D23/238

* cited by examiner

Primary Examiner — Robert Delehanty

(74) *Attorney, Agent, or Firm* — Edgar A. Zarins; Nirav D. Parikh; Lora J. Graentzdoerffer

(57) **CLAIM**

The ornamental design for a faucet, as shown and described.

DESCRIPTION

FIG. 1 is a perspective view of a faucet showing my new design;

FIG. 2 is a top plan view thereof;

FIG. 3 is a front elevational view thereof;

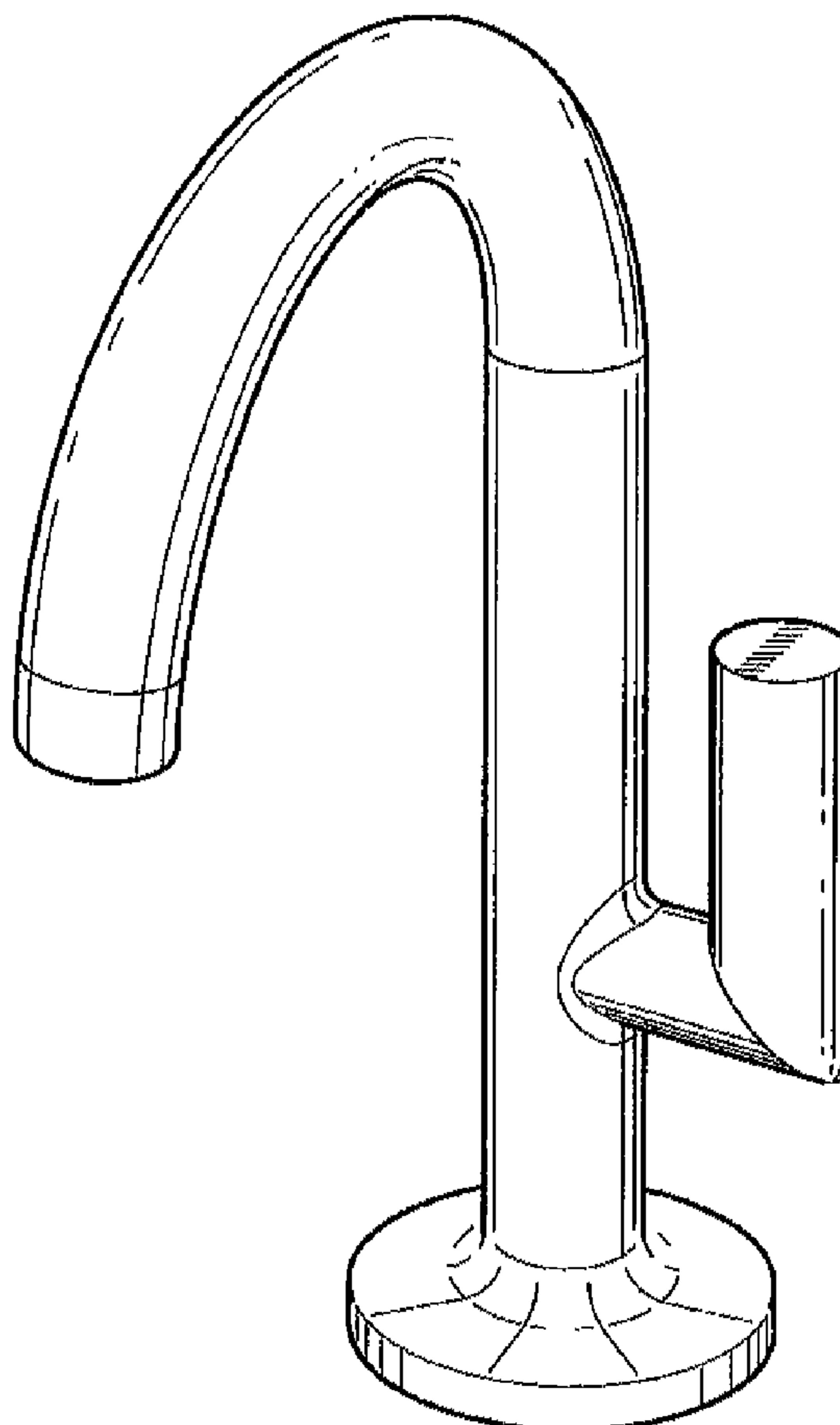
FIG. 4 is a bottom view thereof;

FIG. 5 is a right side view thereof; and,

FIG. 6 is a left side view thereof.

The broken line showing portions of the faucet is included for the purpose of illustrating a portion of the faucet that forms no part of the claimed design.

1 Claim, 2 Drawing Sheets



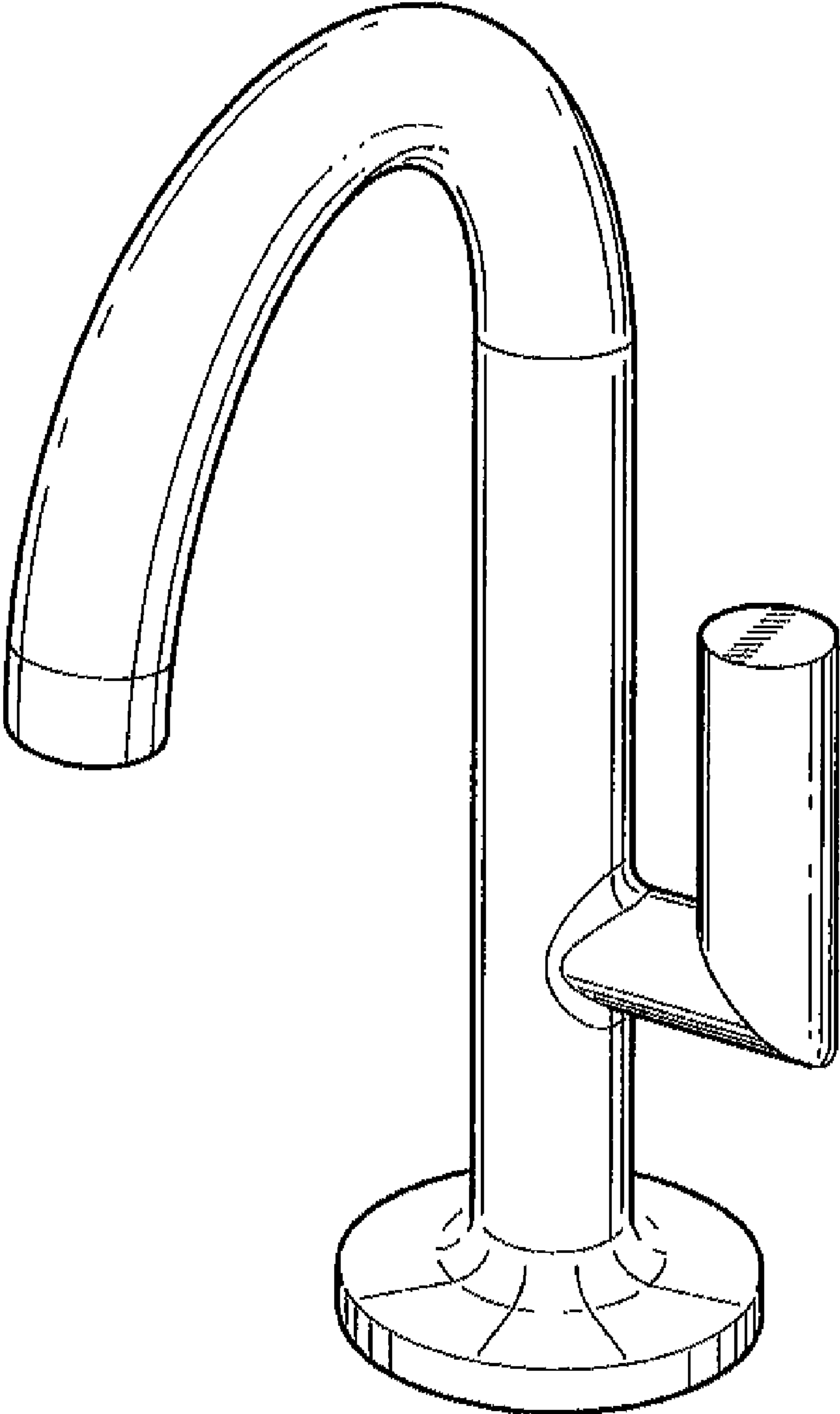


Fig-1

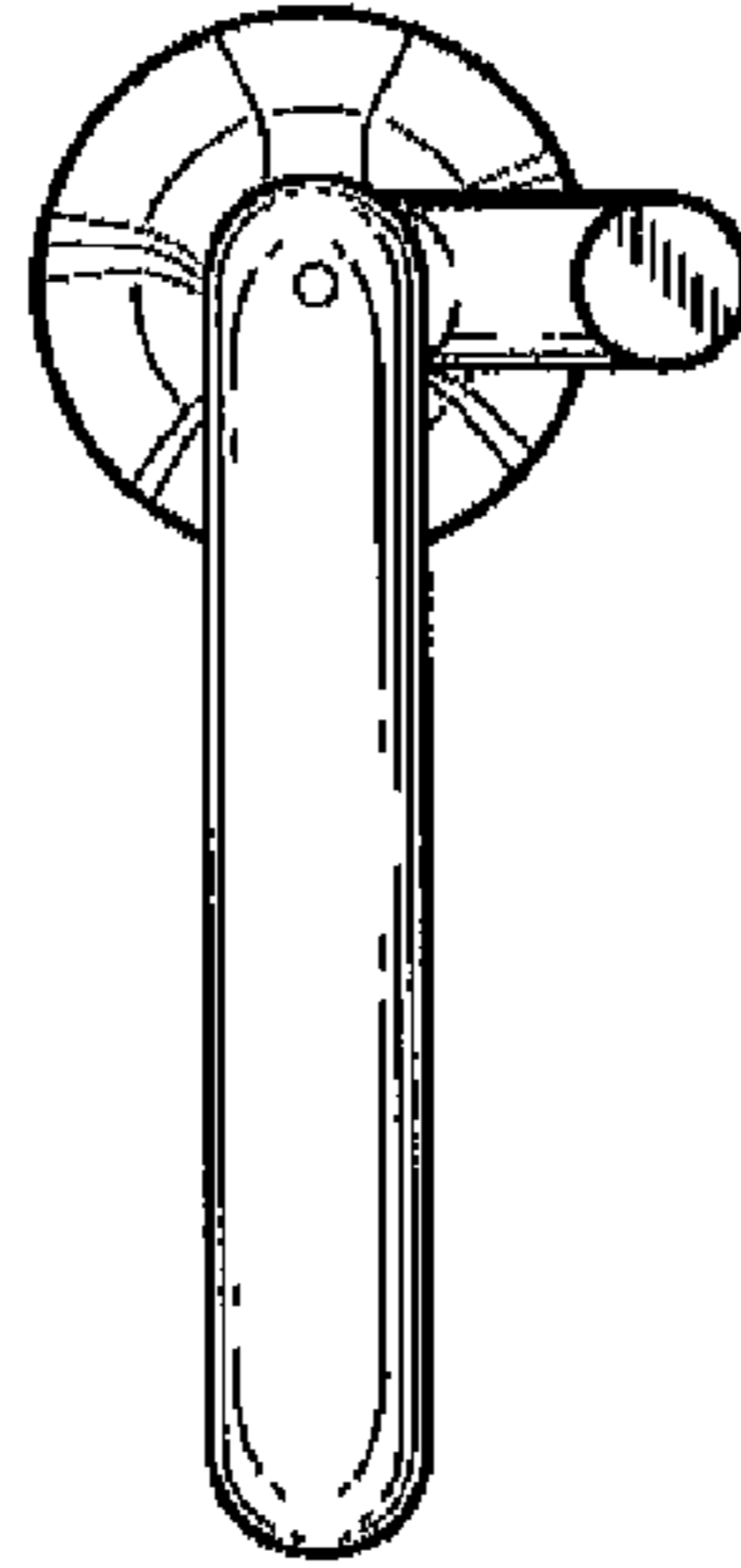


Fig-2

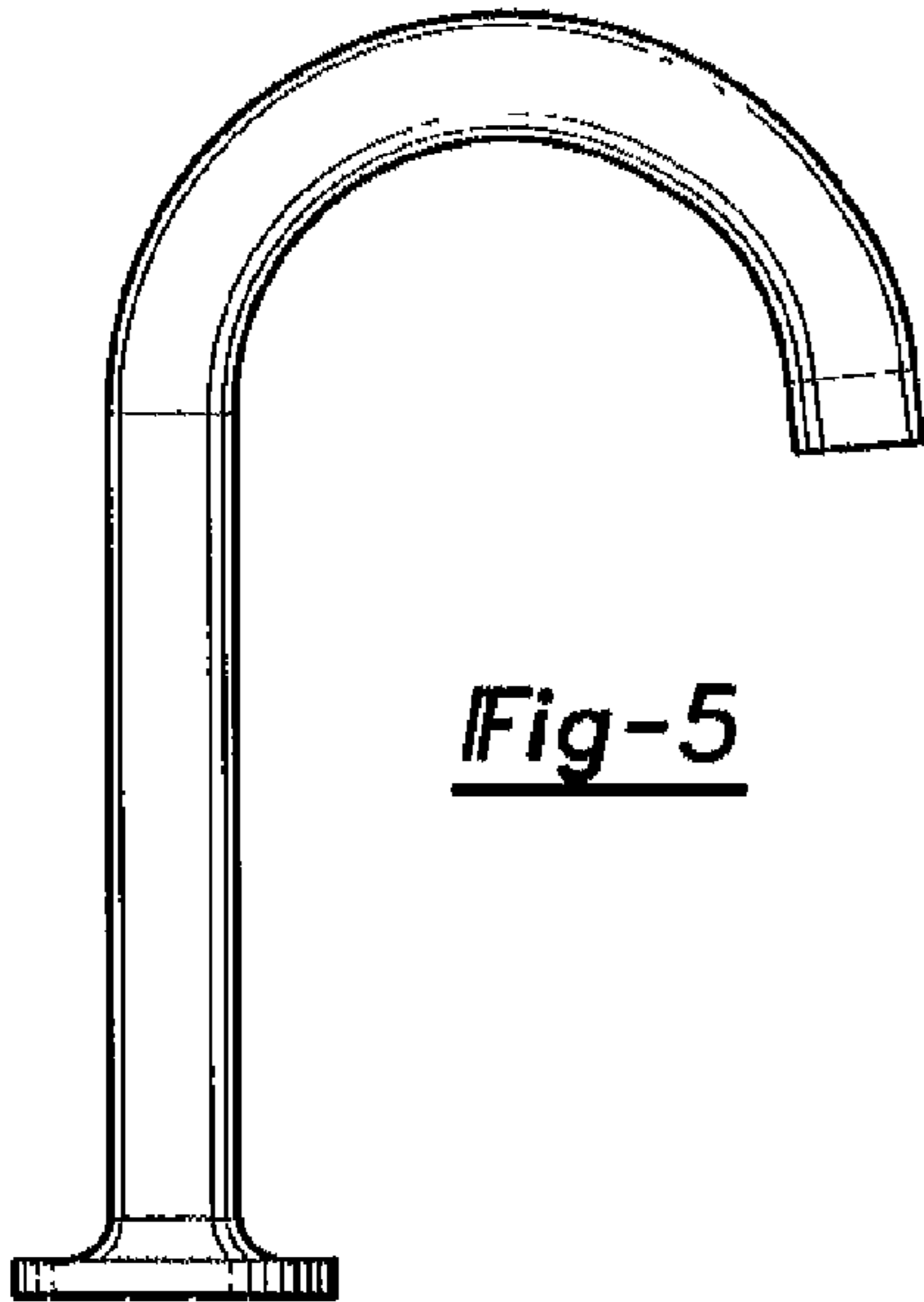


Fig-5

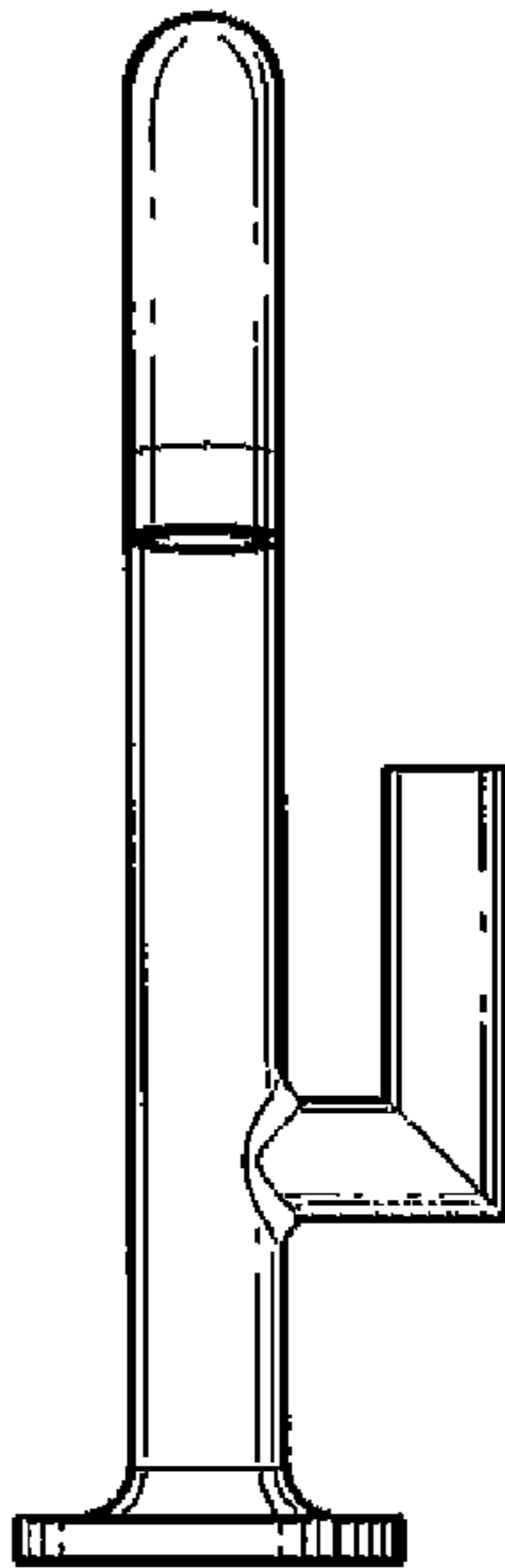


Fig-3

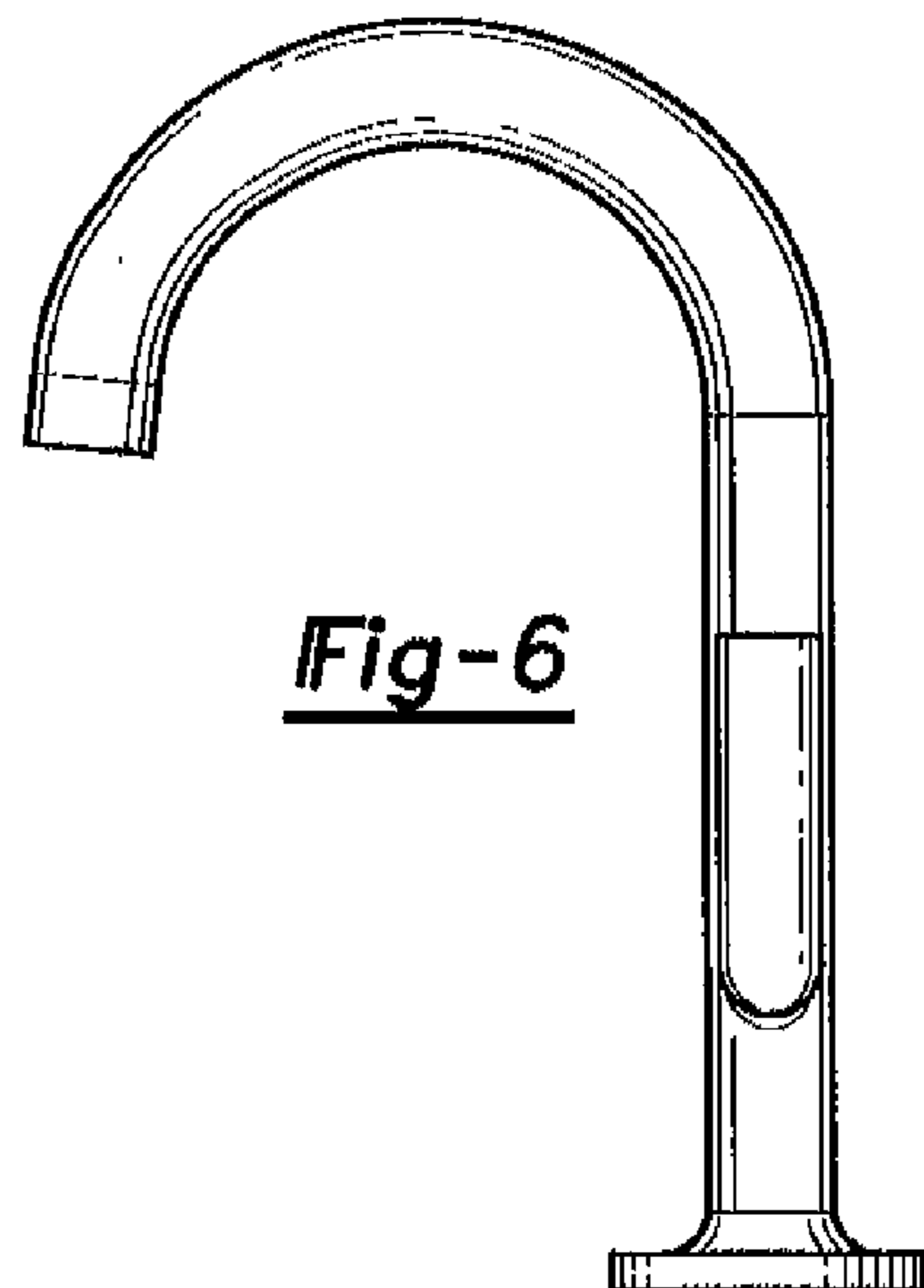


Fig-6

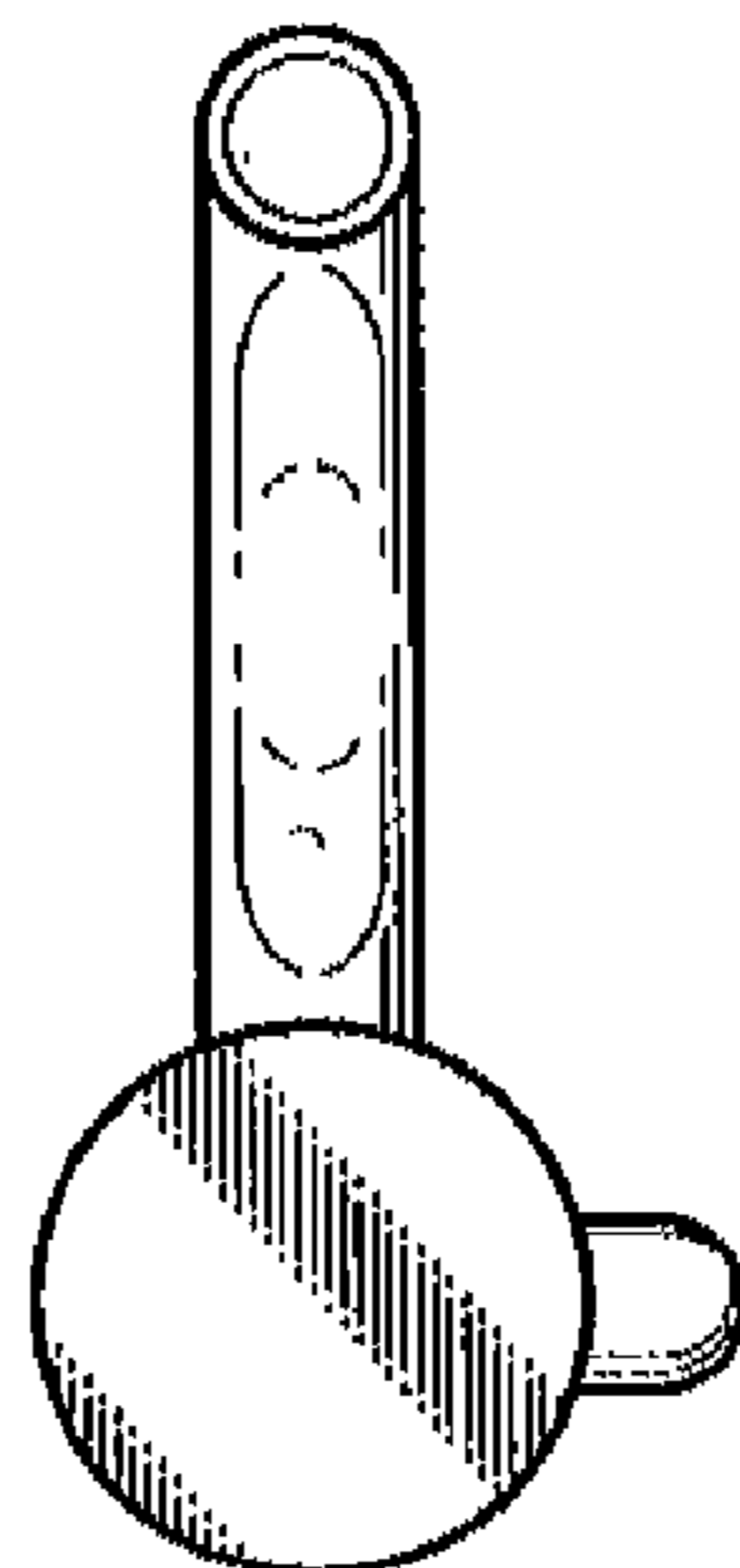


Fig-4