



US00D666275S

(12) **United States Design Patent**
DeVore et al.

(10) **Patent No.:** **US D666,275 S**

(45) **Date of Patent:** **** Aug. 28, 2012**

(54) **HOSE NOZZLE**

D640,771 S * 6/2011 Kolacz D23/213

* cited by examiner

(76) Inventors: **Timothy S. DeVore**, Rockwood, PA
(US); **Theresa Ann Brown**, Sellersburg,
IN (US)

Primary Examiner — Robin V Webster

(74) *Attorney, Agent, or Firm* — QuickPatents, Inc.; Kevin
Prince

(**) Term: **14 Years**

(21) Appl. No.: **29/408,747**

(57) **CLAIM**

We claim the ornamental design for a hose nozzle, as shown
and described.

(22) Filed: **Dec. 15, 2011**

(51) **LOC (9) Cl.** **23-01**

(52) **U.S. Cl.** **D23/223**

(58) **Field of Classification Search** D23/213,
D23/223, 226; 239/271, 459, 525, 526, 581.1;
169/70

See application file for complete search history.

DESCRIPTION

FIG. 1 is a perspective view of a hose nozzle, showing our
new design;

FIG. 2 is a right-side elevational view thereof;

FIG. 3 is a left-side elevational view thereof;

FIG. 4 is a front elevational view thereof;

FIG. 5 is a rear elevational view thereof;

FIG. 6 is a top plan view thereof; and,

FIG. 7 is a bottom plan view thereof.

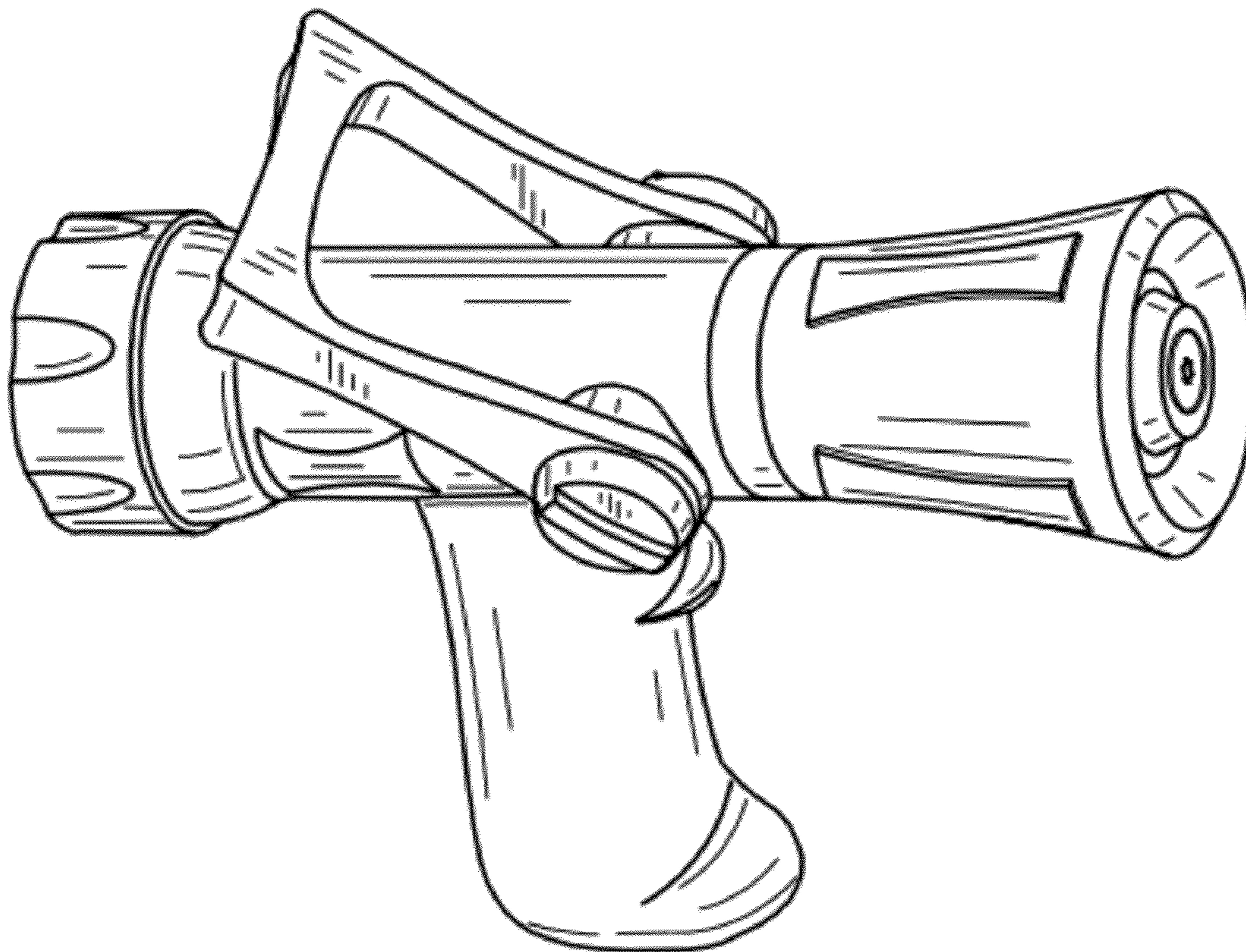
The broken lines in FIG. 5 depict environmental matter and
form no part of the claimed design.

(56) **References Cited**

U.S. PATENT DOCUMENTS

5,312,048	A *	5/1994	Steingass et al.	239/441
D515,662	S *	2/2006	Chen	D23/223
7,328,860	B1 *	2/2008	Chen	239/581.1
7,434,751	B1 *	10/2008	Chen	239/526
D599,433	S *	9/2009	Zore	D23/223

1 Claim, 3 Drawing Sheets



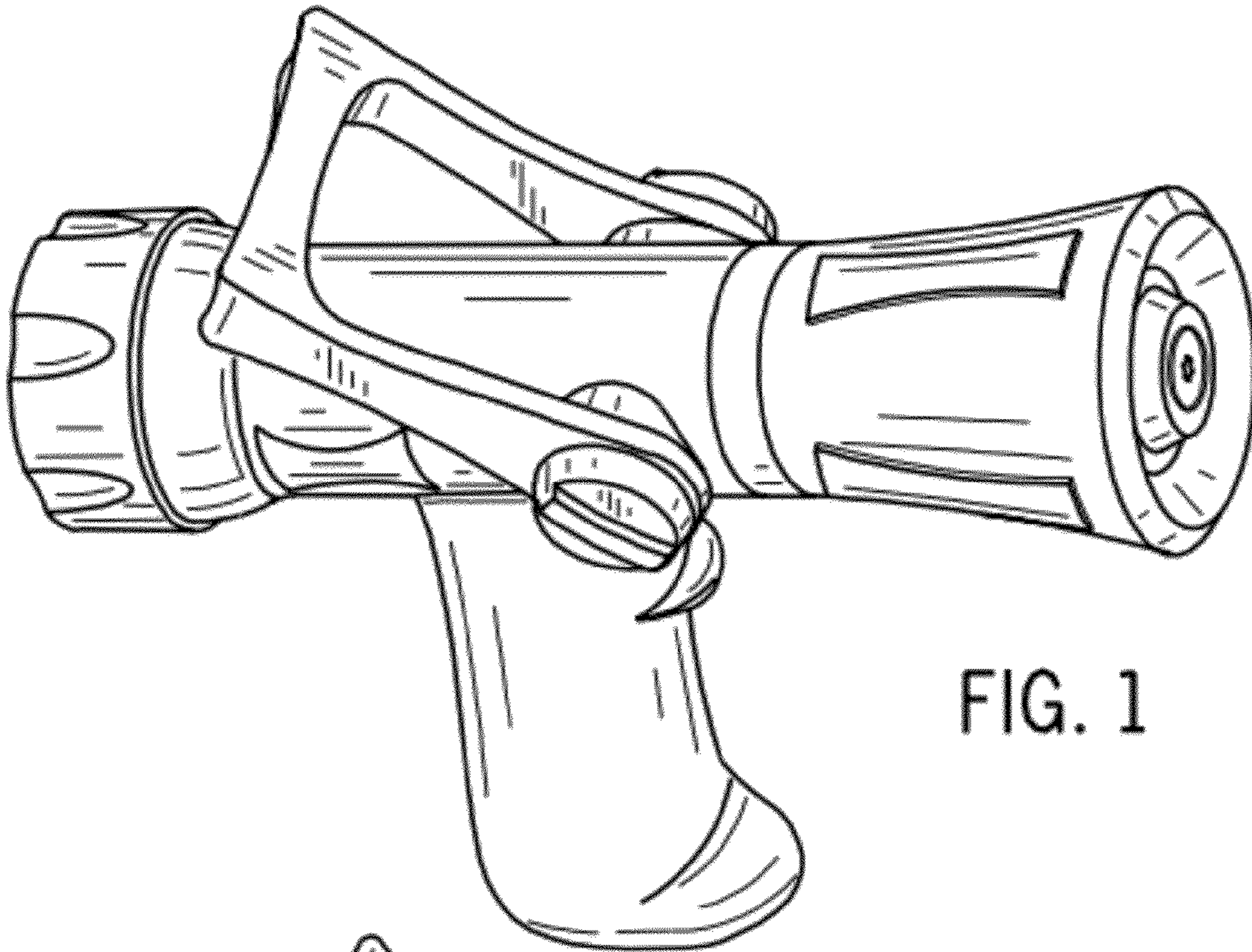


FIG. 1

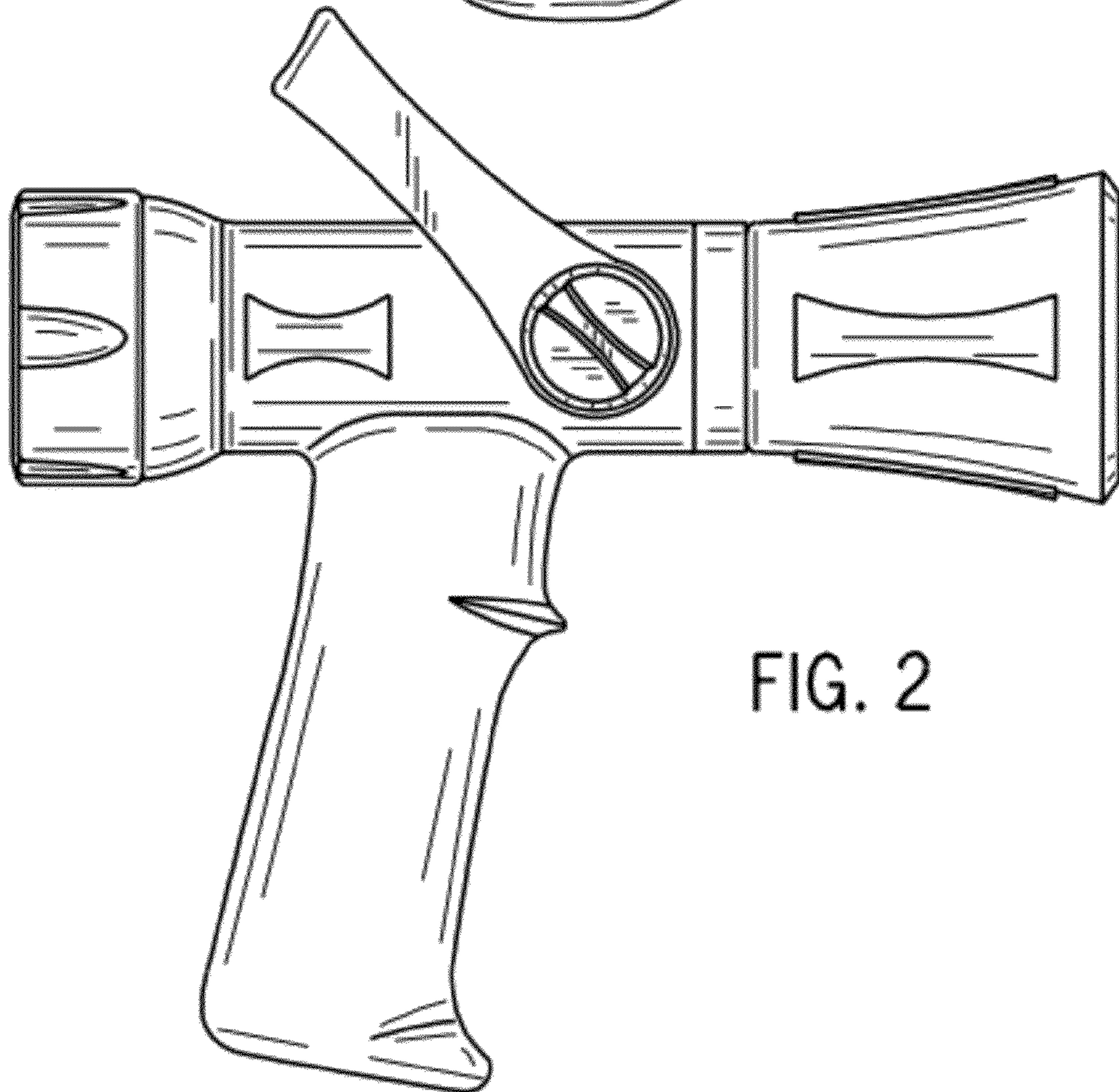


FIG. 2

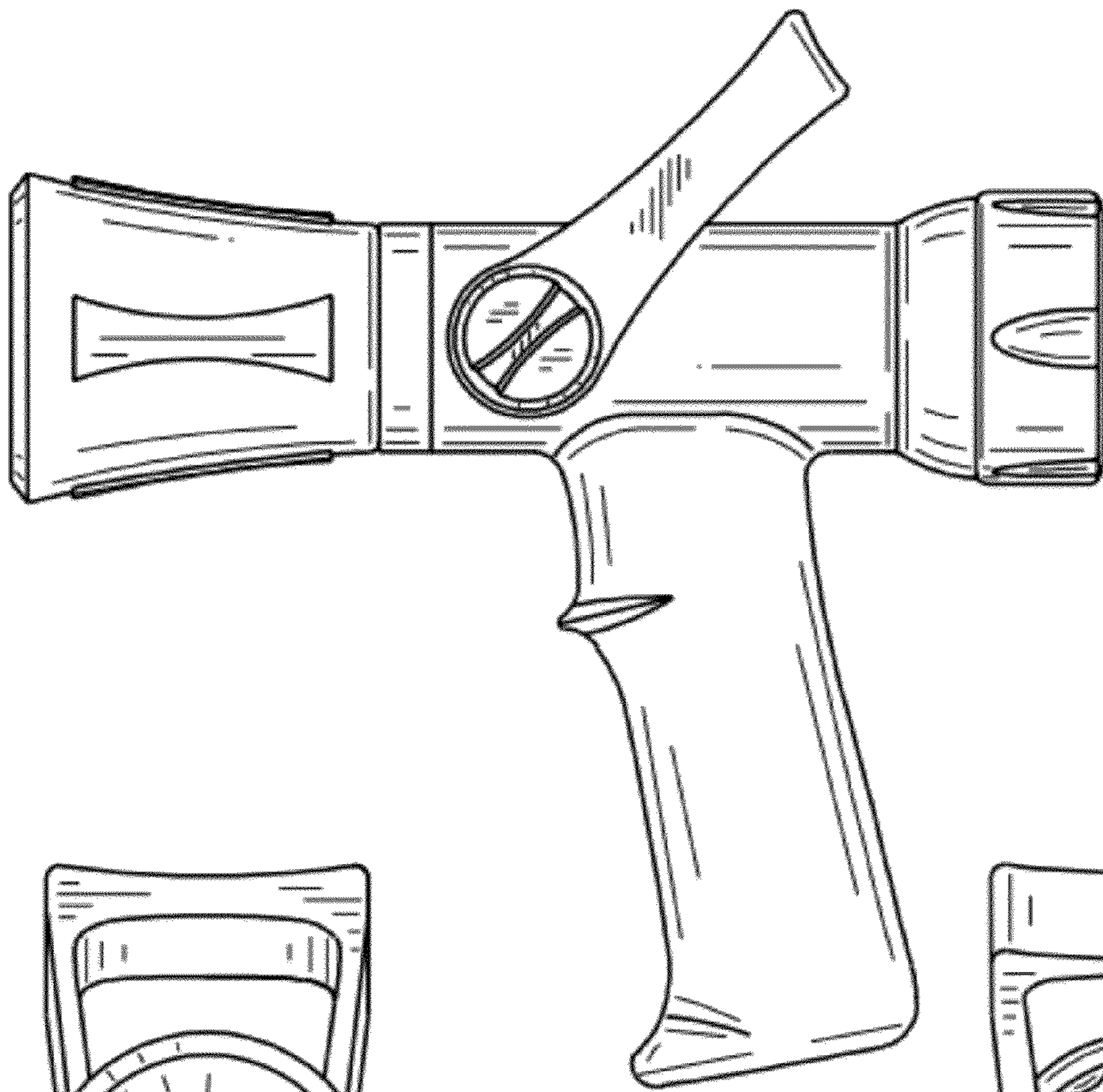


FIG. 3

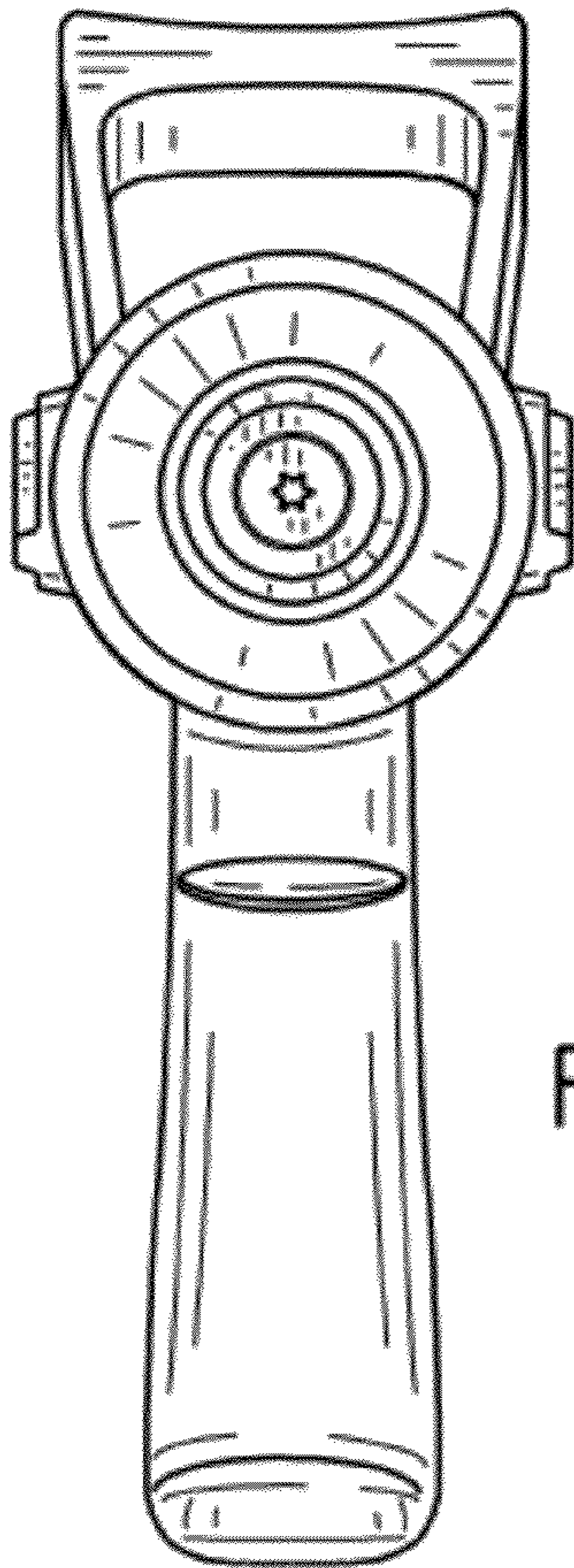


FIG. 4

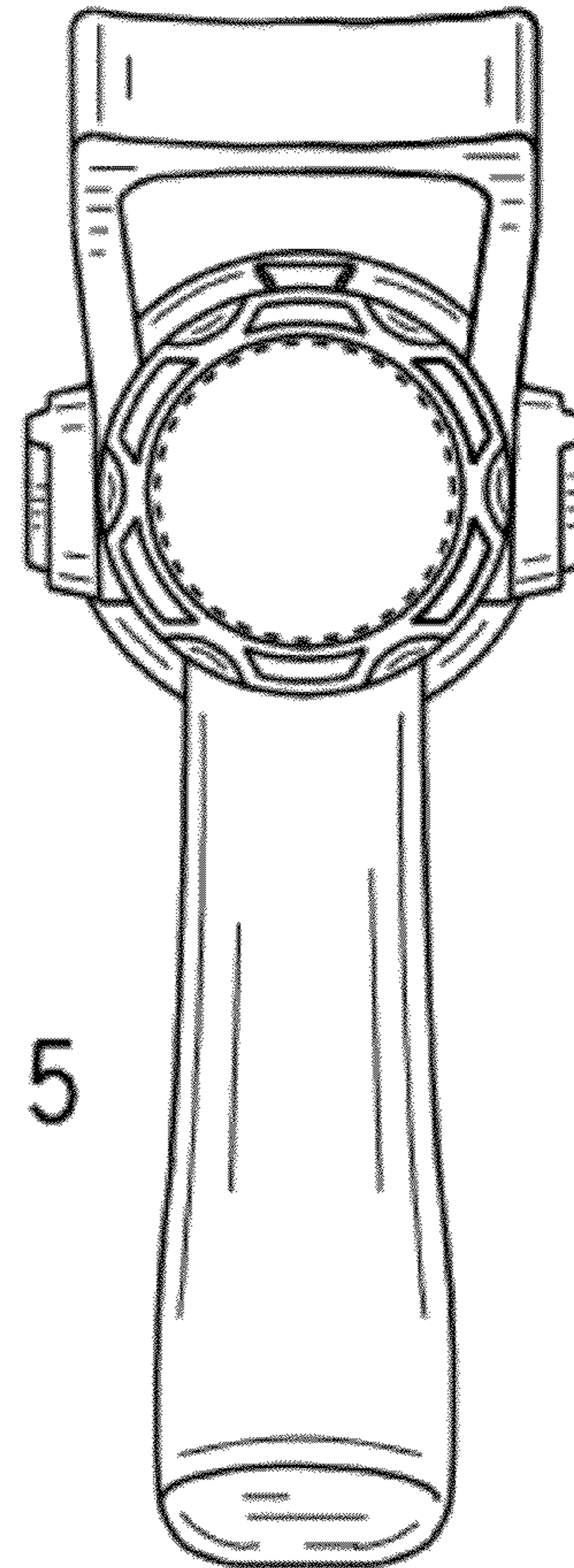


FIG. 5

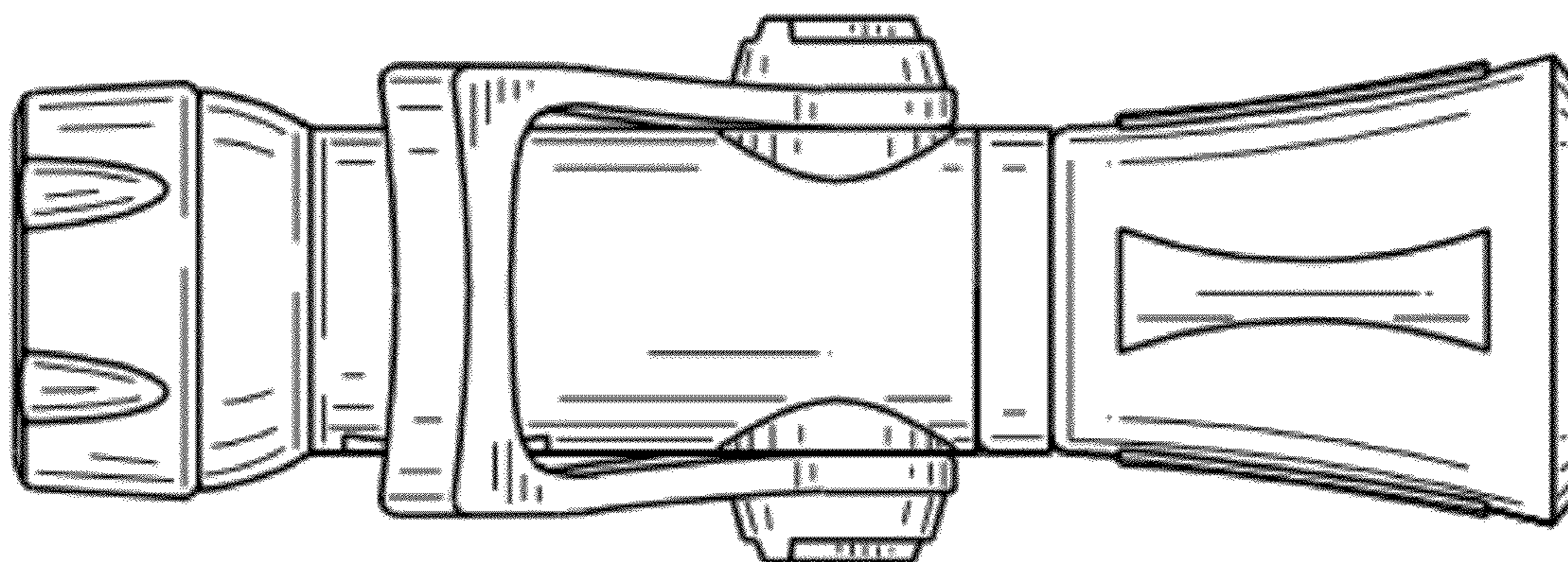


FIG. 6

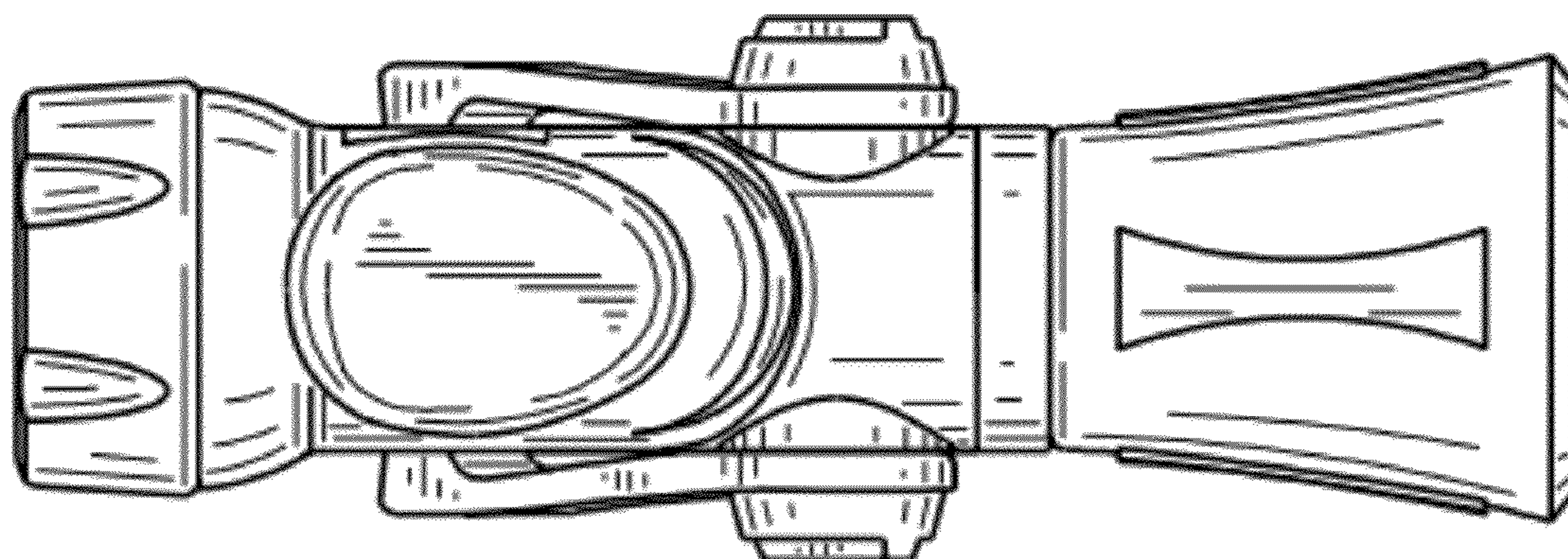


FIG. 7