

US00D666274S

(12) **United States Design Patent**
Smith

(10) **Patent No.:** **US D666,274 S**

(45) **Date of Patent:** **** Aug. 28, 2012**

(54) **FLUID SPRAY TIP**

(75) Inventor: **Jeffrey M. Smith**, Elko New Market, MN (US)

(73) Assignee: **Wagner Spray Tech Corporation**, Plymouth, MN (US)

(**) Term: **14 Years**

(21) Appl. No.: **29/407,177**

(22) Filed: **Nov. 23, 2011**

(51) **LOC (9) Cl.** **23-01**

(52) **U.S. Cl.** **D23/213**

(58) **Field of Classification Search** D23/213;
D9/434; 239/119, 288–288.5, DIG. 22
See application file for complete search history.

“The New SC-6 Reversible Tip with Space-Age Carbide”, Titan; Jan. 2001; 2 total pages.

“Airless Accessories, Essential Tools for Maximum Productivity and Performance”, Graco; [http://wwwd.graco.com/Distributors/DLibrary.nsf/Files/300621/\\$file/300621H.pdf](http://wwwd.graco.com/Distributors/DLibrary.nsf/Files/300621/$file/300621H.pdf); accessed on Nov. 1, 2011, 28 total pages.

* cited by examiner

Primary Examiner — Robin V Webster

(74) *Attorney, Agent, or Firm* — Westman, Champlin & Kelly, P.A.

(57) **CLAIM**

The ornamental design for a fluid spray tip, as shown and described.

(56) **References Cited**

U.S. PATENT DOCUMENTS

4,971,249	A *	11/1990	Tam et al.	239/119
6,264,115	B1 *	7/2001	Liska et al.	239/119
6,390,386	B2 *	5/2002	Krohn et al.	239/119
6,655,606	B2 *	12/2003	Earl	239/104
6,702,198	B2 *	3/2004	Tam et al.	239/119
6,978,944	B1 *	12/2005	Carey et al.	239/119
7,328,853	B2 *	2/2008	Carey et al.	239/74

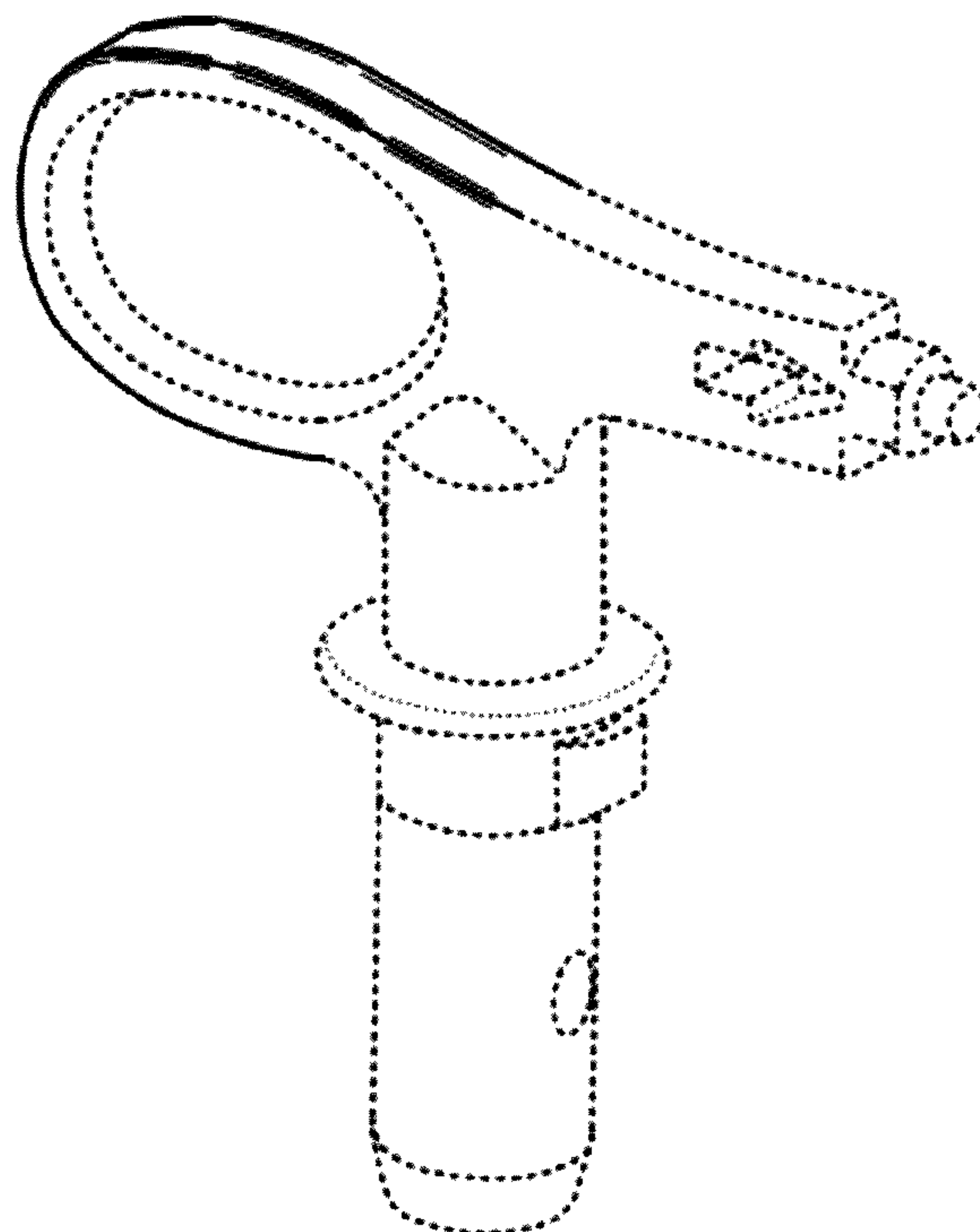
OTHER PUBLICATIONS

“Airless Accessories”, Titan: Advanced Performance, Total Reliability; Jan. 2010; 28 total pages.

DESCRIPTION

FIG. 1 is a perspective view of a fluid spray tip. FIG. 2 is a left side view of the fluid spray tip. FIG. 3 is a right side view of the fluid spray tip. FIG. 4 is a top view of the fluid spray tip. FIG. 5 is a bottom view of the fluid spray tip. FIG. 6 is a rear view of the fluid spray tip; and, FIG. 7 is a front view of the fluid spray tip. The details shown in broken lines form no part of the claimed design.

1 Claim, 4 Drawing Sheets



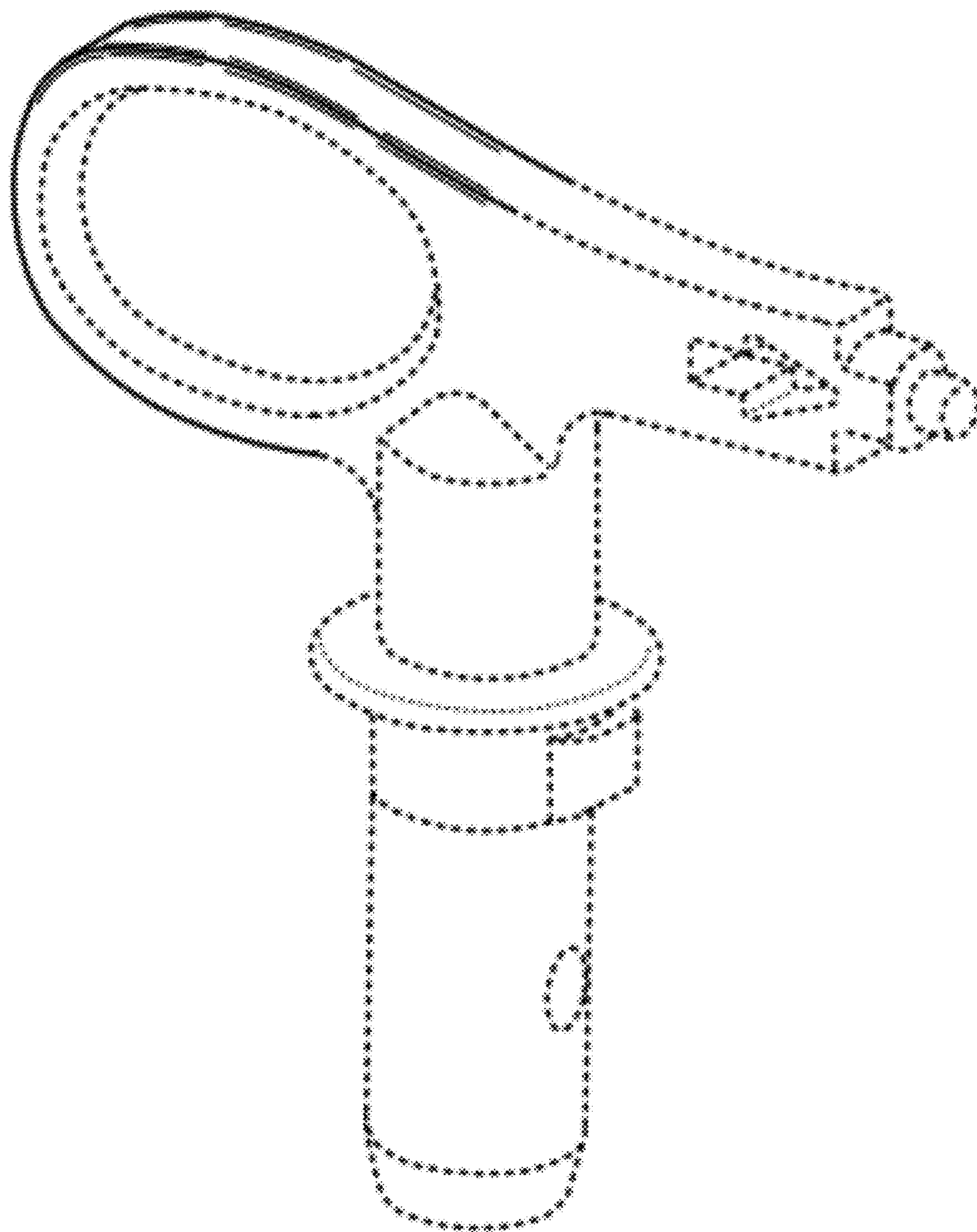


FIG. 1

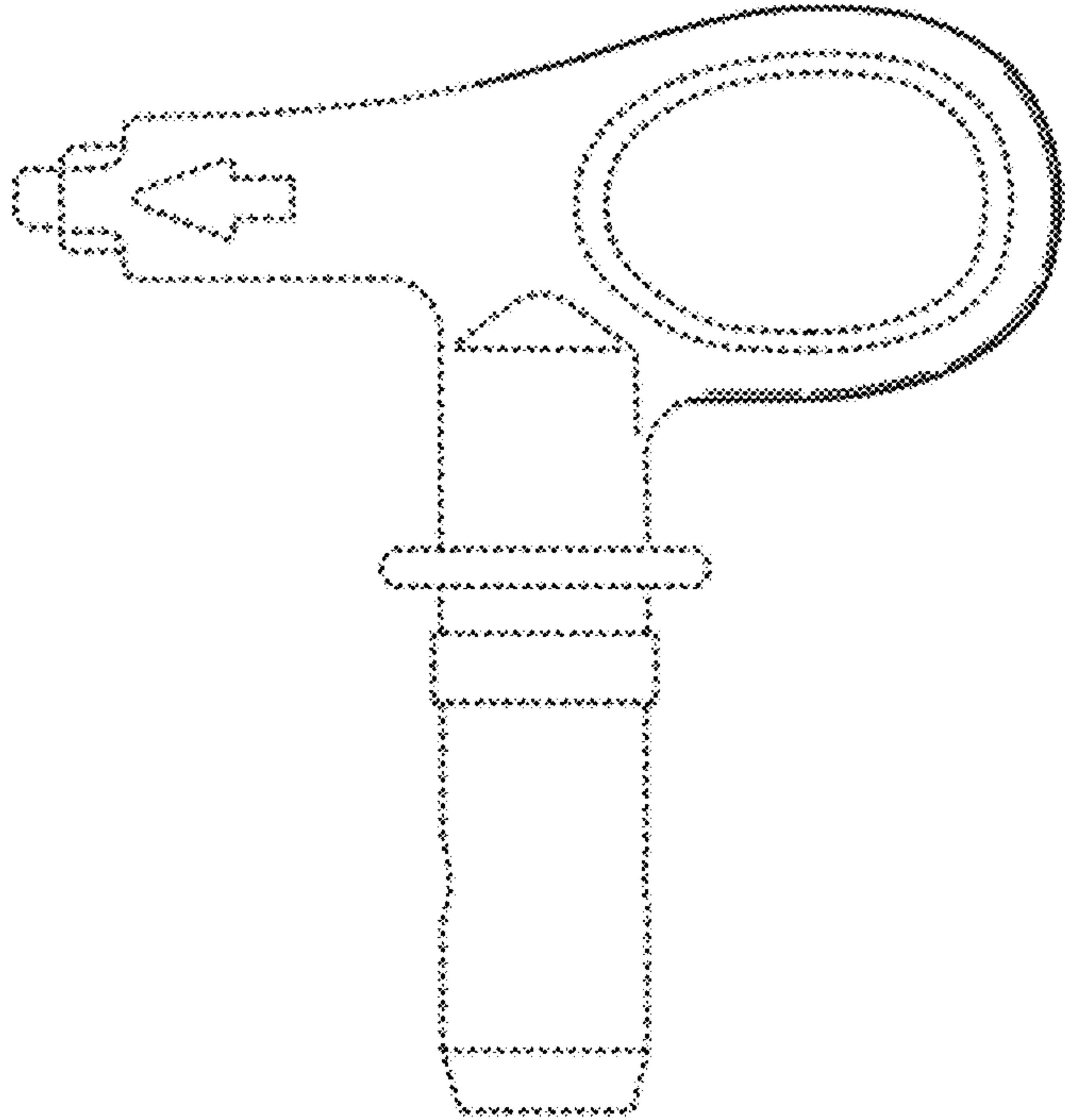


FIG. 2

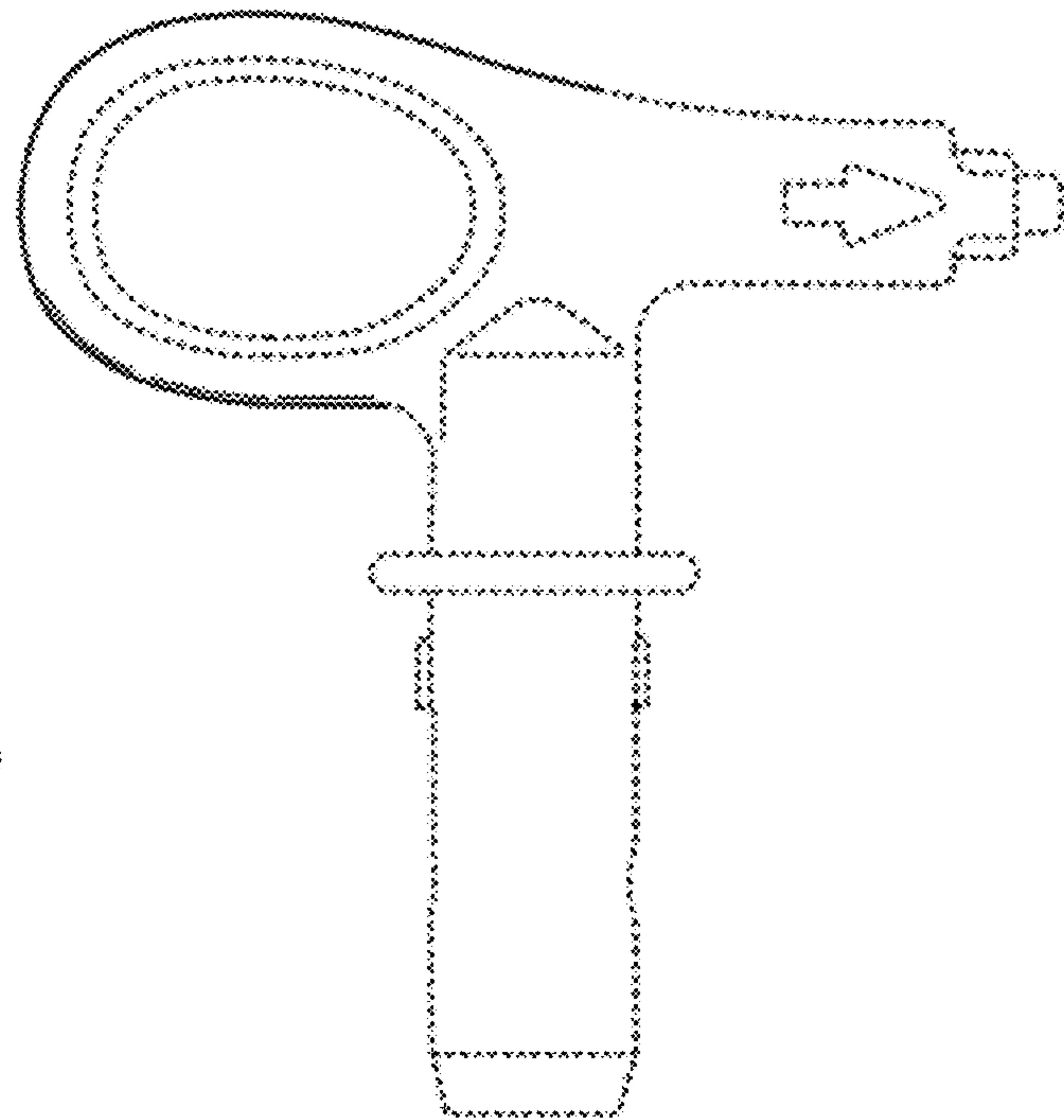


FIG. 3

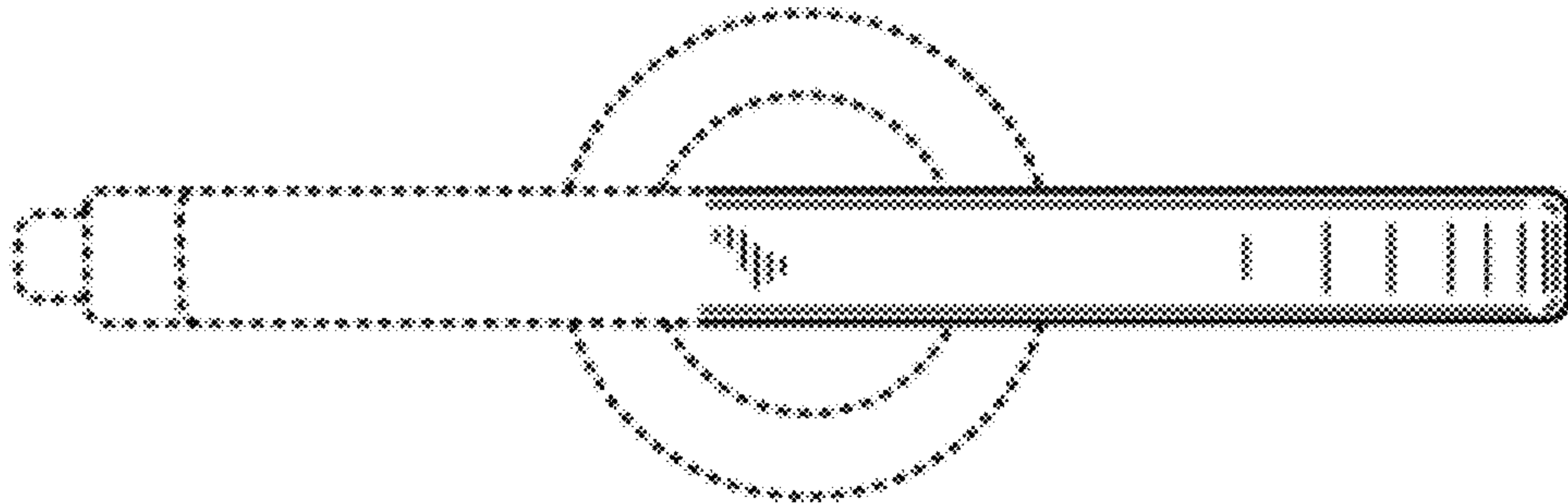


FIG. 4

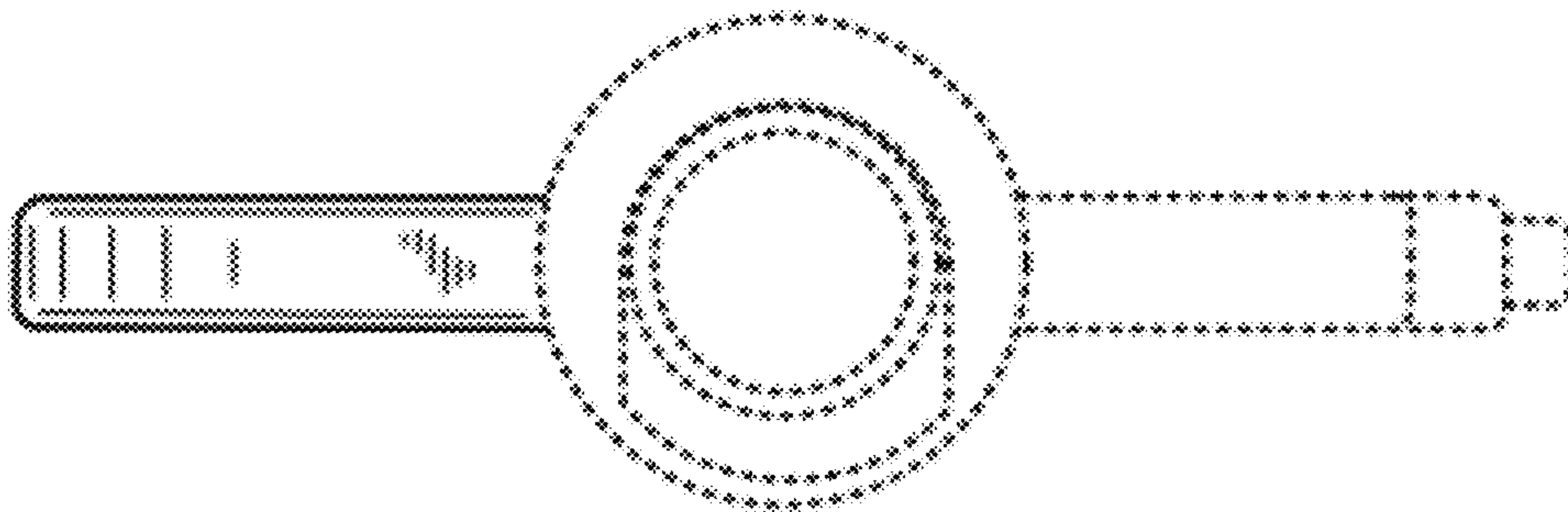


FIG. 5

FIG. 6

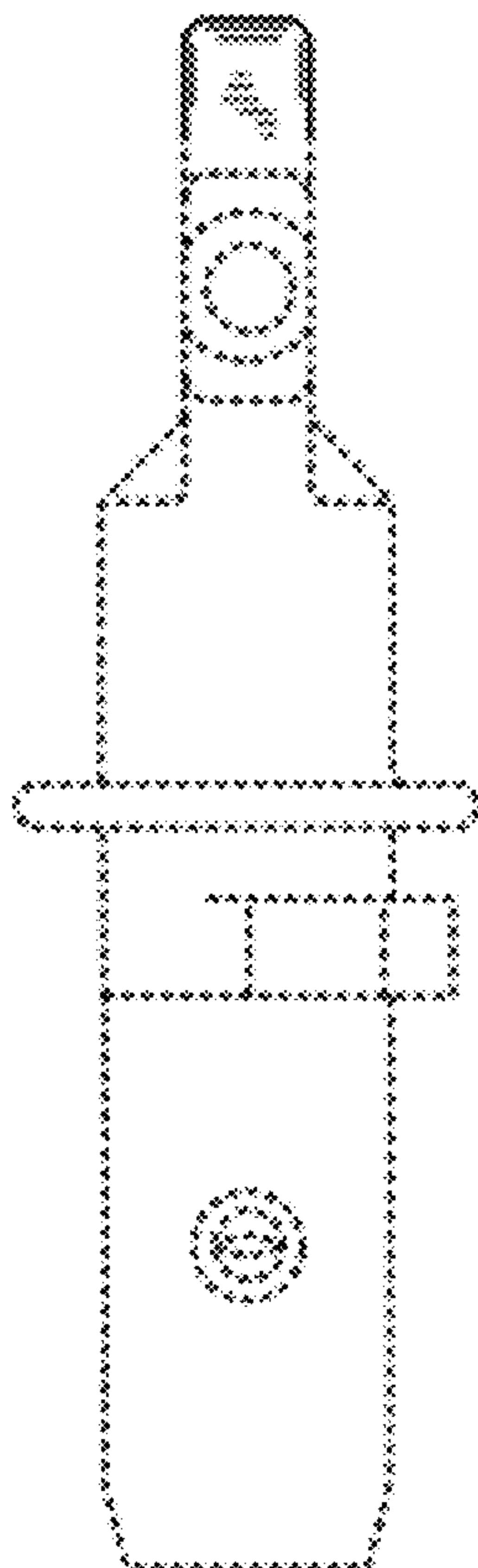
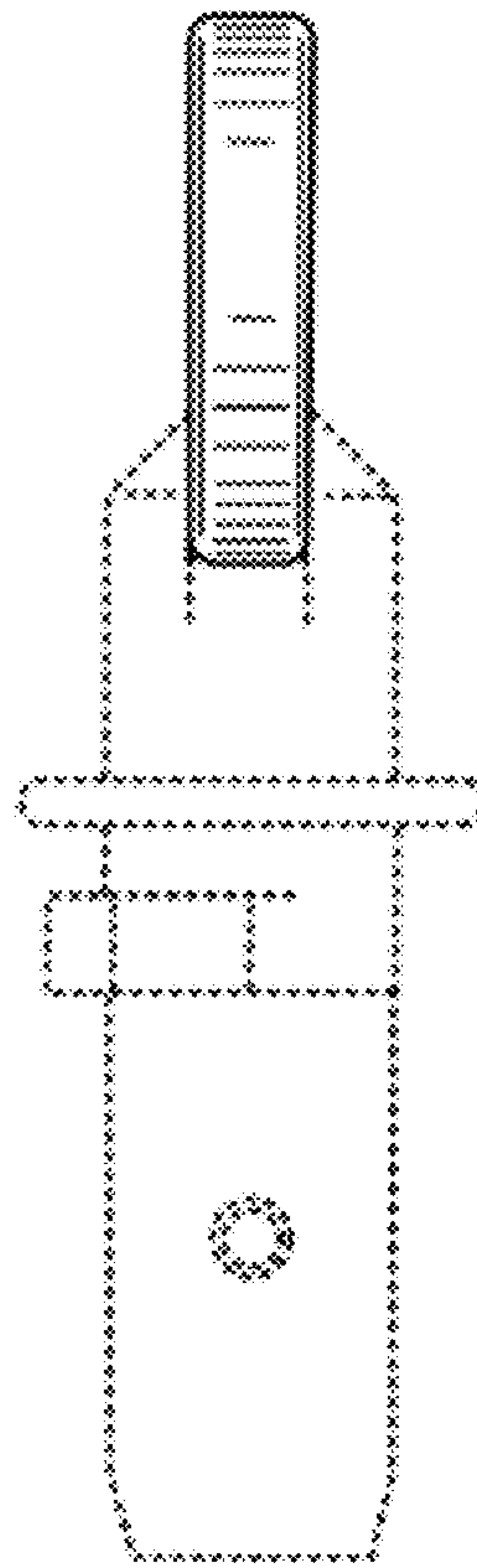


FIG. 7