



US00D666271S

(12) **United States Design Patent**
Shi et al.

(10) **Patent No.:** **US D666,271 S**

(45) **Date of Patent:** **** Aug. 28, 2012**

(54) **SEAWATER DESALTING DEVICE**

(75) Inventors: **Zheng Shi**, Shenzhen (CN); **Jiang-Feng Liu**, Shenzhen (CN)

(73) Assignee: **FIH (Hong Kong) Limited**, Kowloon (HK)

(**) Term: **14 Years**

(21) Appl. No.: **29/381,420**

(22) Filed: **Dec. 20, 2010**

(51) **LOC (9) Cl.** **23-01**

(52) **U.S. Cl.** **D23/207; D7/354**

(58) **Field of Classification Search** D23/207,
D23/209; D7/354, 672; 210/636, 650, 652;
99/279, 287, 288, 318

See application file for complete search history.

(56) **References Cited**

U.S. PATENT DOCUMENTS

D134,165	S	*	10/1942	Schneider	D7/354
D273,168	S	*	3/1984	Bowen et al.	D7/354
4,491,520	A	*	1/1985	Jaye	210/232
D340,505	S	*	10/1993	Anderson	D23/209
D347,462	S	*	5/1994	Douglas	D23/209
D439,303	S	*	3/2001	Peddicord et al.	D23/207
D444,664	S	*	7/2001	Dobson et al.	D7/354
D624,354	S	*	9/2010	Odeh	D7/359
D625,772	S	*	10/2010	Olson et al.	D23/207
D626,621	S	*	11/2010	Olson et al.	D23/207
D632,129	S	*	2/2011	Chen	D7/356
D637,448	S	*	5/2011	Cheng	D7/354

* cited by examiner

Primary Examiner — Robin V Webster

(74) *Attorney, Agent, or Firm* — Altis Law Group, Inc.

(57) **CLAIM**

The ornamental design for a seawater desalting device, as shown and described.

DESCRIPTION

This application is one of the three related co-pending U.S. patent applications listed below. All listed applications have the same assignee and were concurrently filed herewith. The disclosure of each of the listed applications is incorporated by reference into all the other listed applications.

U.S. Ser. No. 29/381,420, Seawater Desalting Device, Shi et al.

U.S. Ser. No. 29/381,421, Cover for Seawater Desalting Device, Shi et al.

U.S. Ser. No. 29/381,423, Cup Portion for Seawater Desalting Device, Shi et al.

FIG. 1 is a perspective view of a seawater desalting device showing my new design;

FIG. 2 is a front elevational view of the seawater desalting device;

FIG. 3 is a rear elevational view of the seawater desalting device;

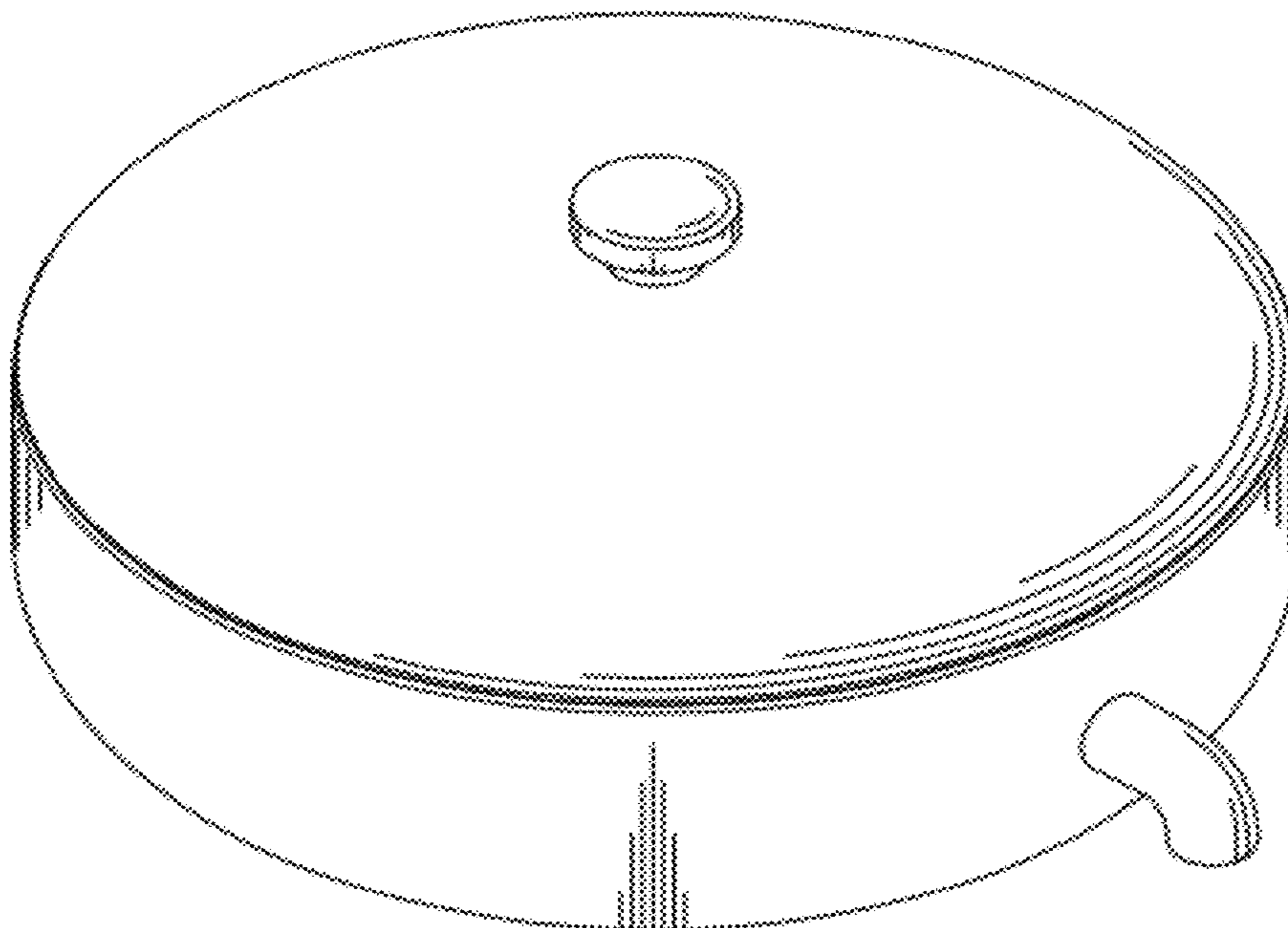
FIG. 4 is a left side elevational view of the seawater desalting device;

FIG. 5 is a right side elevational view of the seawater desalting device;

FIG. 6 is a top plan view of the seawater desalting device; and,

FIG. 7 is a bottom plan view of the seawater desalting device.

1 Claim, 7 Drawing Sheets



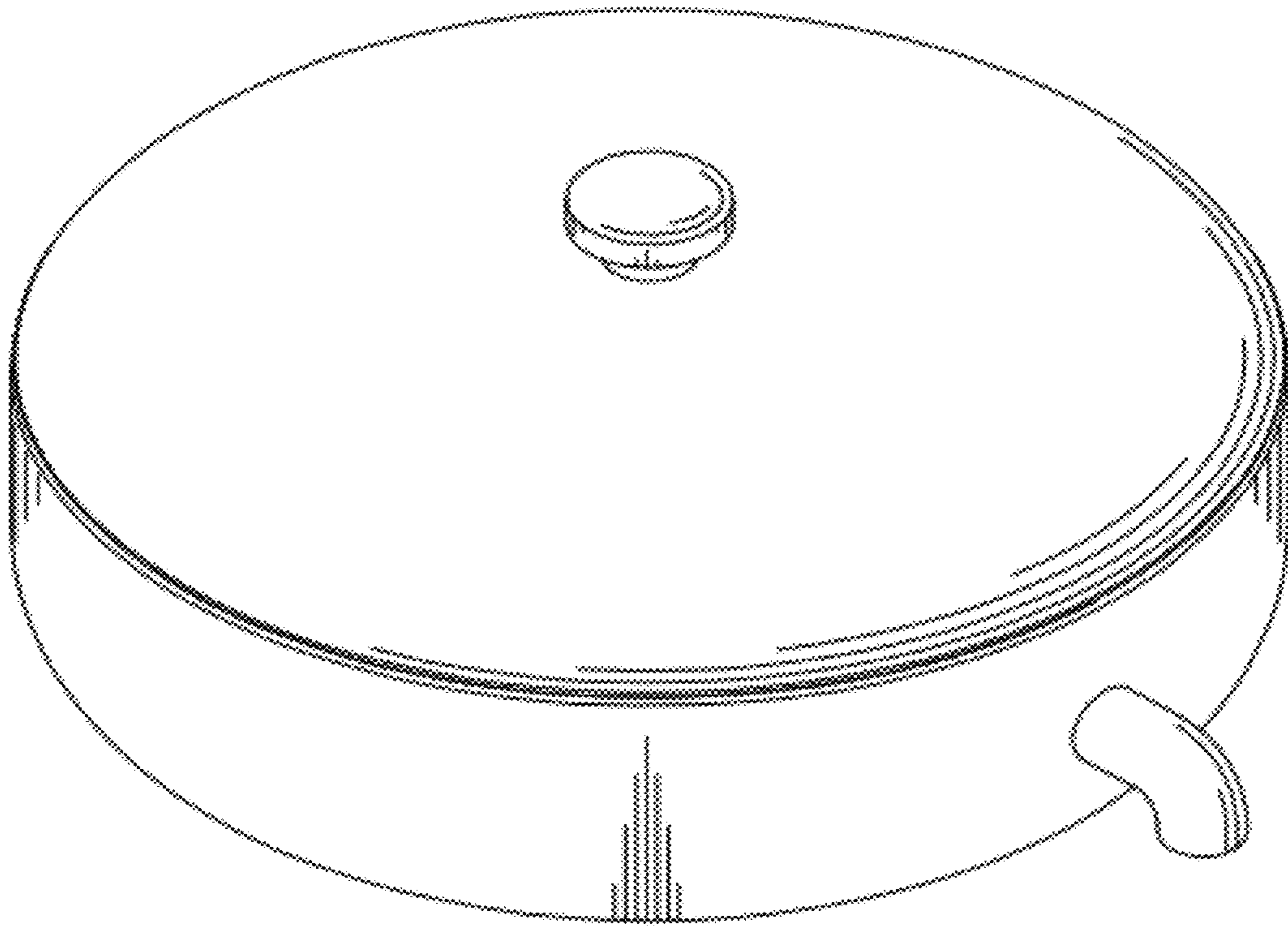


FIG. 1

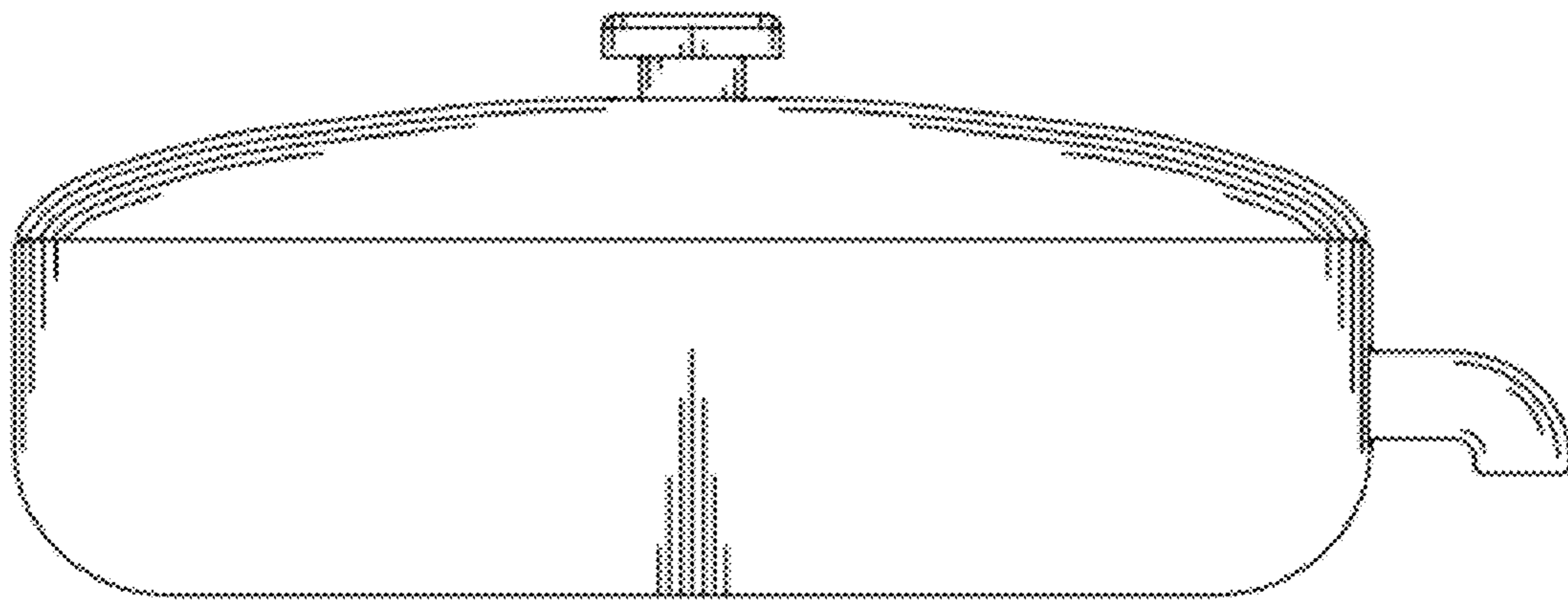


FIG. 2

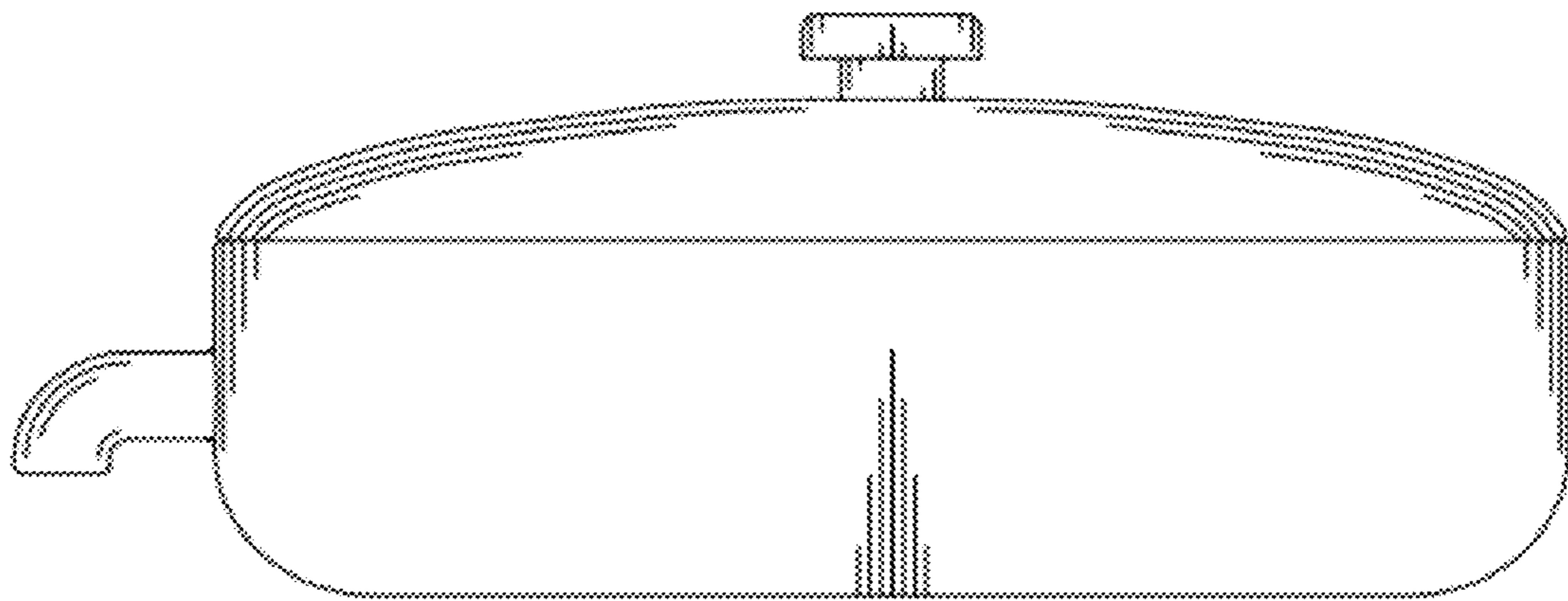


FIG. 3

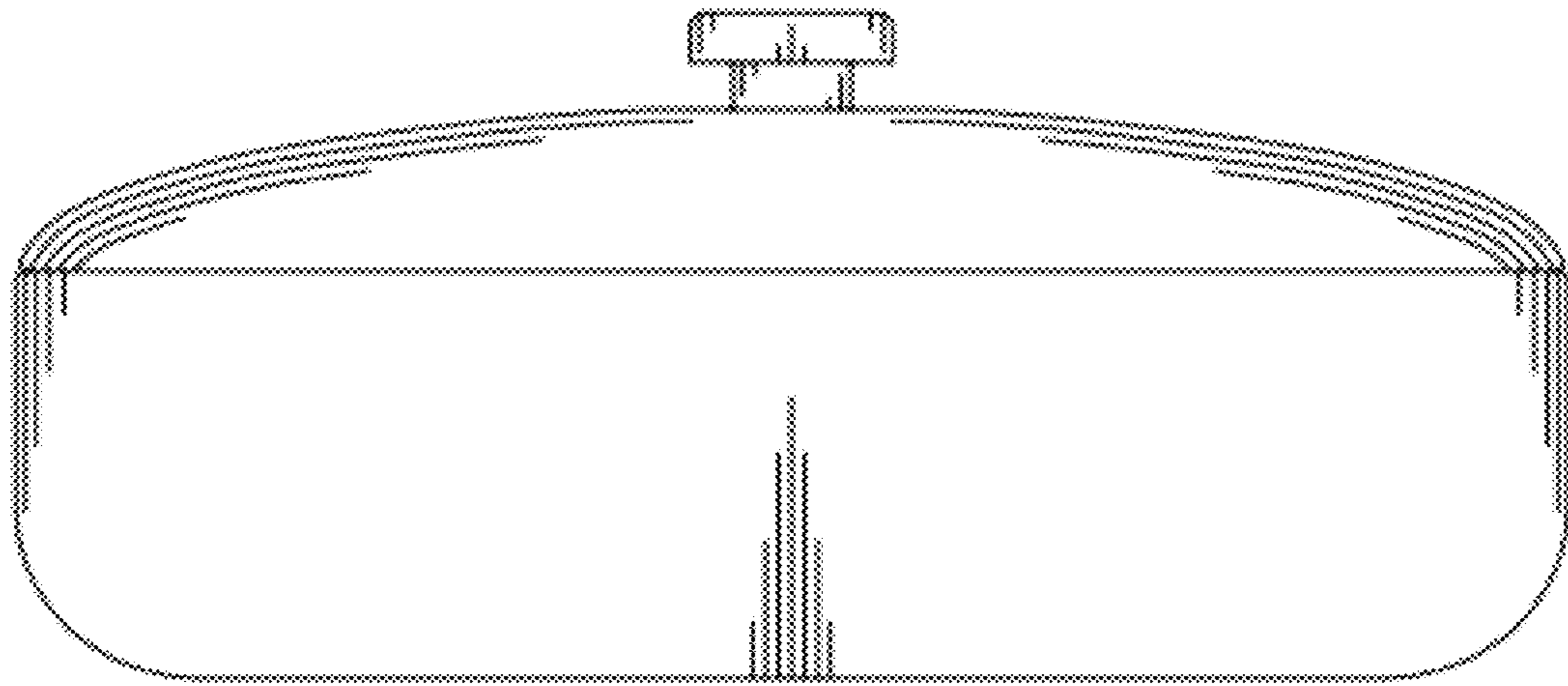


FIG. 4

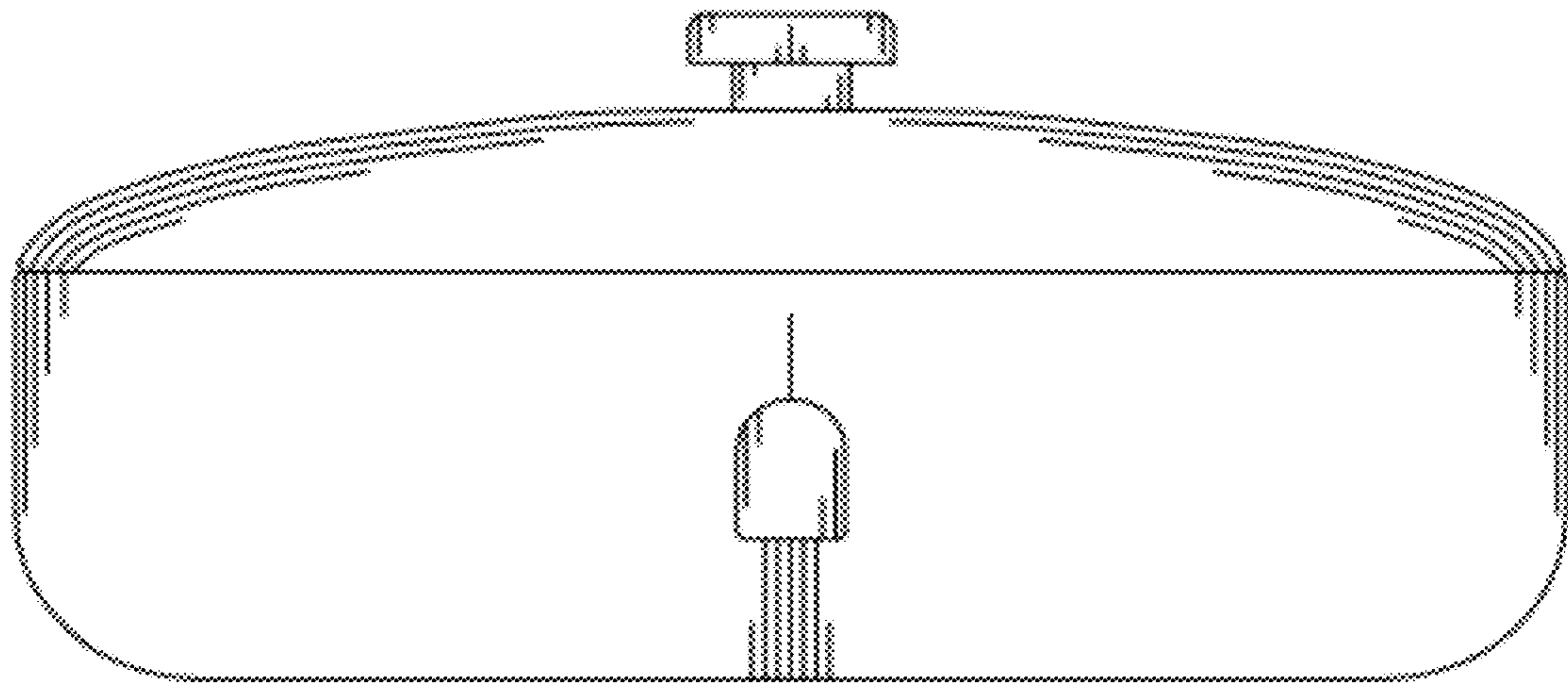


FIG. 5

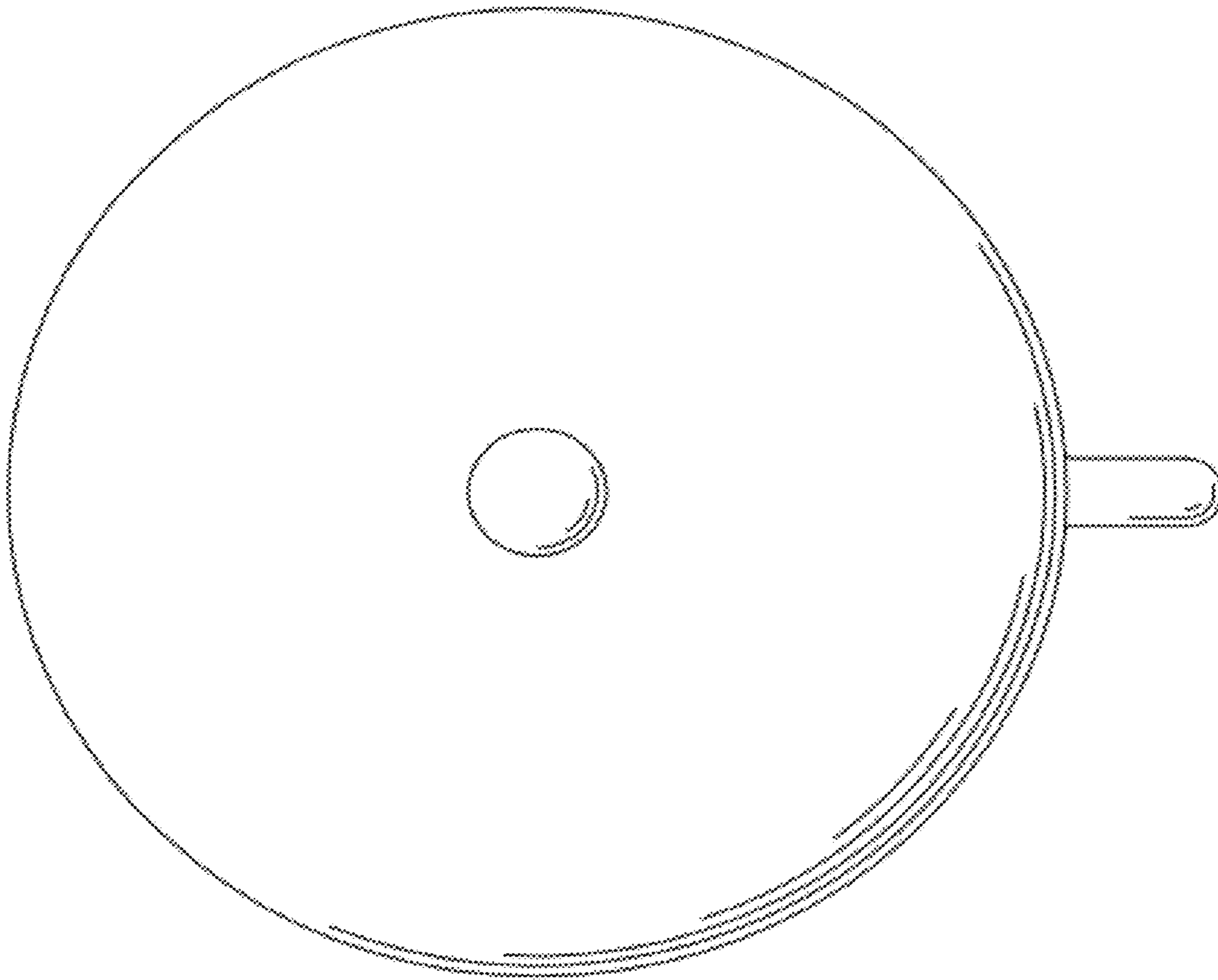


FIG. 6

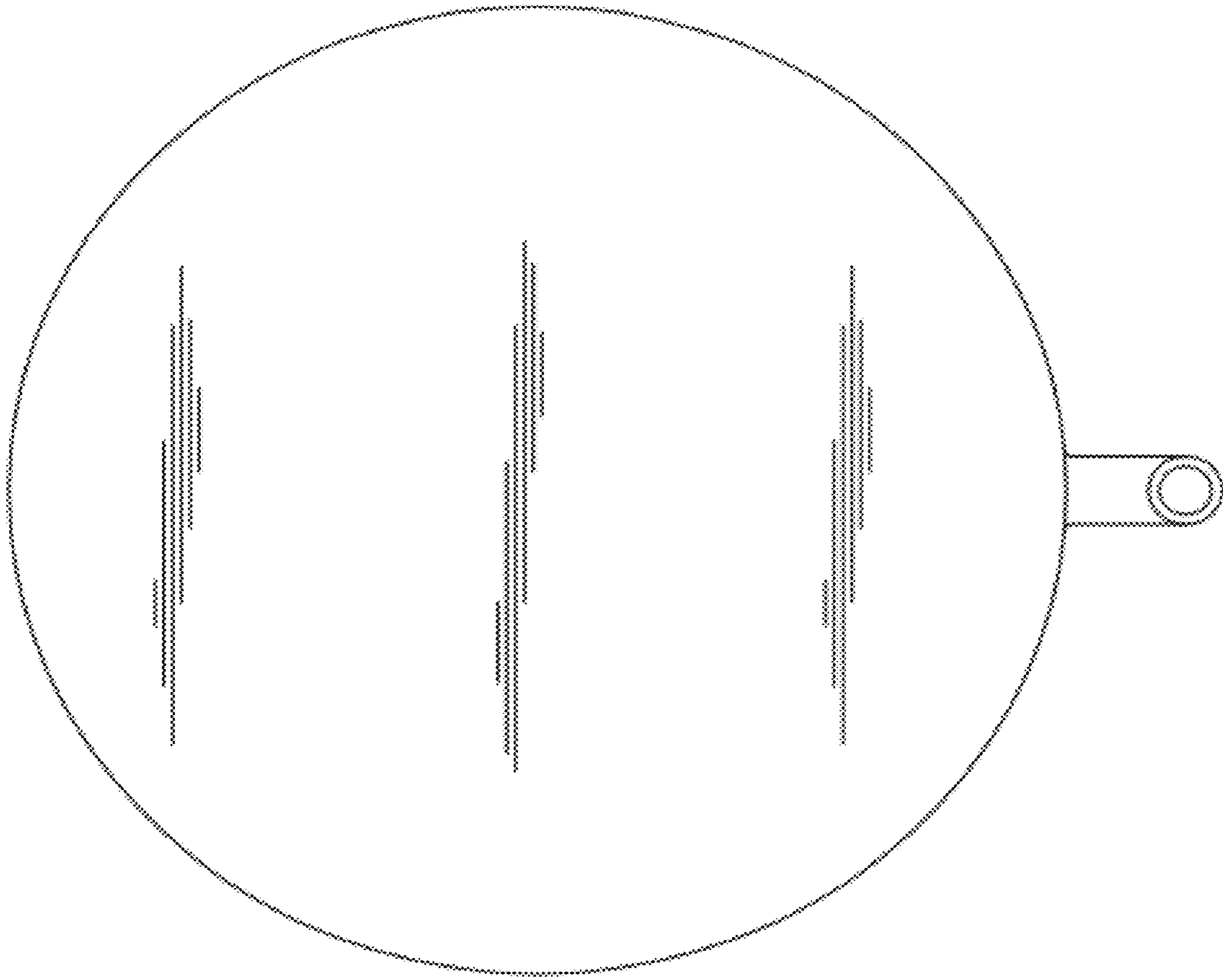


FIG. 7