

US00D666270S

(12) **United States Design Patent**
Taylor

(10) **Patent No.:** **US D666,270 S**

(45) **Date of Patent:** **** Aug. 28, 2012**

(54) **AMMUNITION MAGAZINE**

(76) **Inventor:** **Cary Taylor, Anchorage, AK (US)**

(**) **Term:** **14 Years**

(21) **Appl. No.:** **29/384,494**

(22) **Filed:** **Jan. 31, 2011**

(51) **LOC (9) Cl.** **22-01**

(52) **U.S. Cl.** **D22/108**

(58) **Field of Classification Search** D22/100-116;
D21/572-573; 124/66-67, 74; 42/51, 71.01,
42/75.01, 75.02, 90, 94; 362/110; 89/40.06,
89/37.04, 33.04, 191.01

See application file for complete search history.

(56) **References Cited**

U.S. PATENT DOCUMENTS

4,566,212 A * 1/1986 Chesnut 42/50
4,790,094 A * 12/1988 Chesnut et al. 42/50
4,901,463 A * 2/1990 Chesnut 42/50

5,502,913 A * 4/1996 Jackson 42/50
* cited by examiner

Primary Examiner — Michael A Pratt

(74) *Attorney, Agent, or Firm* — QuickPatents, Inc.; Kevin Prince

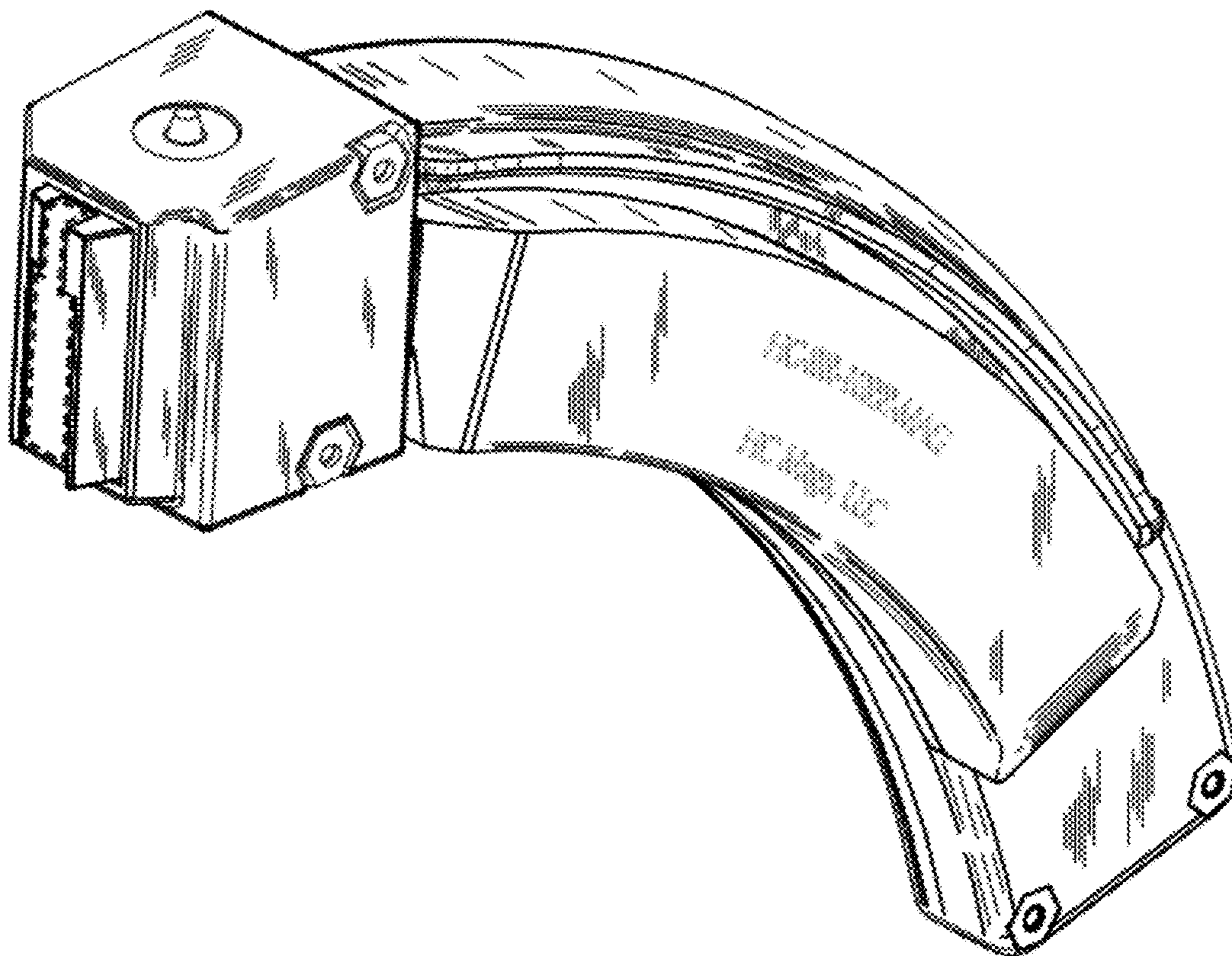
(57) **CLAIM**

I claim the ornamental design for an ammunition magazine, as shown and described.

DESCRIPTION

FIG. 1 is a perspective view of an ammunition magazine, showing my new design;
FIG. 2 is a front elevational view thereof;
FIG. 3 is a rear elevational view thereof;
FIG. 4 is a left-side elevational view thereof;
FIG. 5 is a right-side elevational view thereof;
FIG. 6 is a top plan view thereof;
FIG. 7 is a bottom plan view thereof; and,
FIG. 8 is a rear perspective view thereof.
The broken lines in the figures depict environmental matter, and form no part of the claimed design.

1 Claim, 6 Drawing Sheets



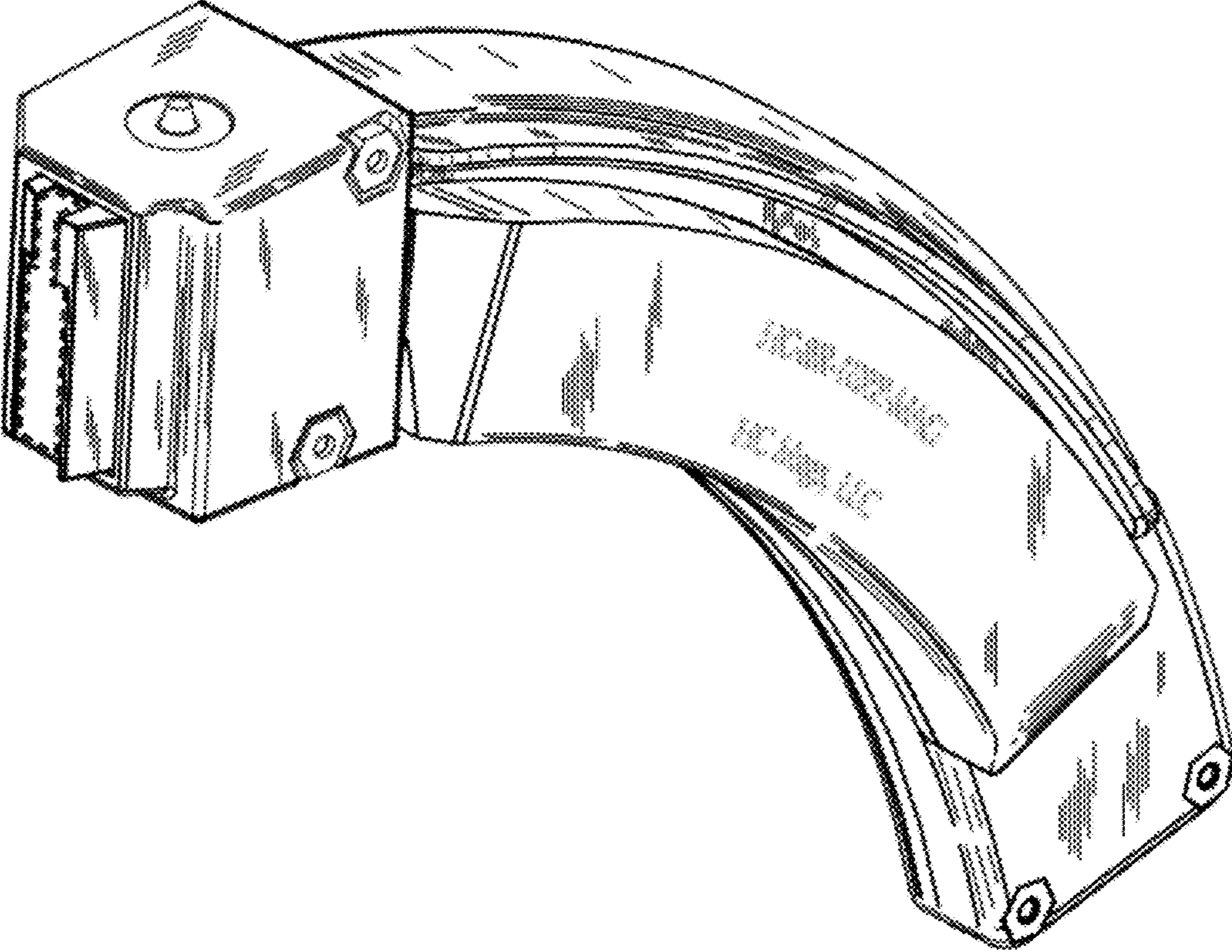


FIG. 1

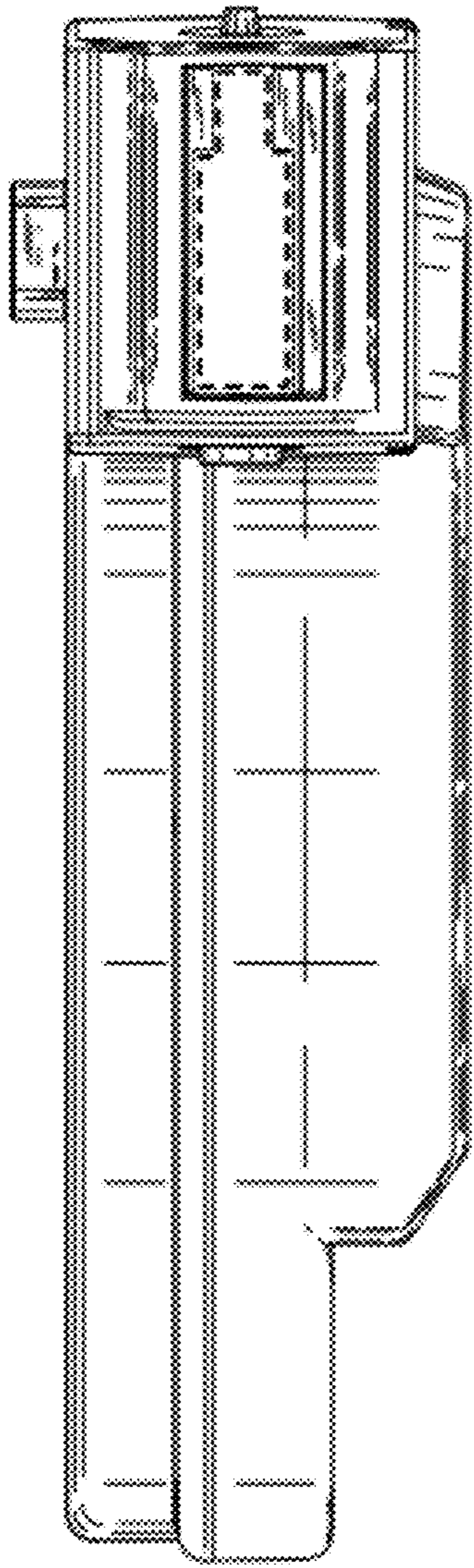


FIG. 2

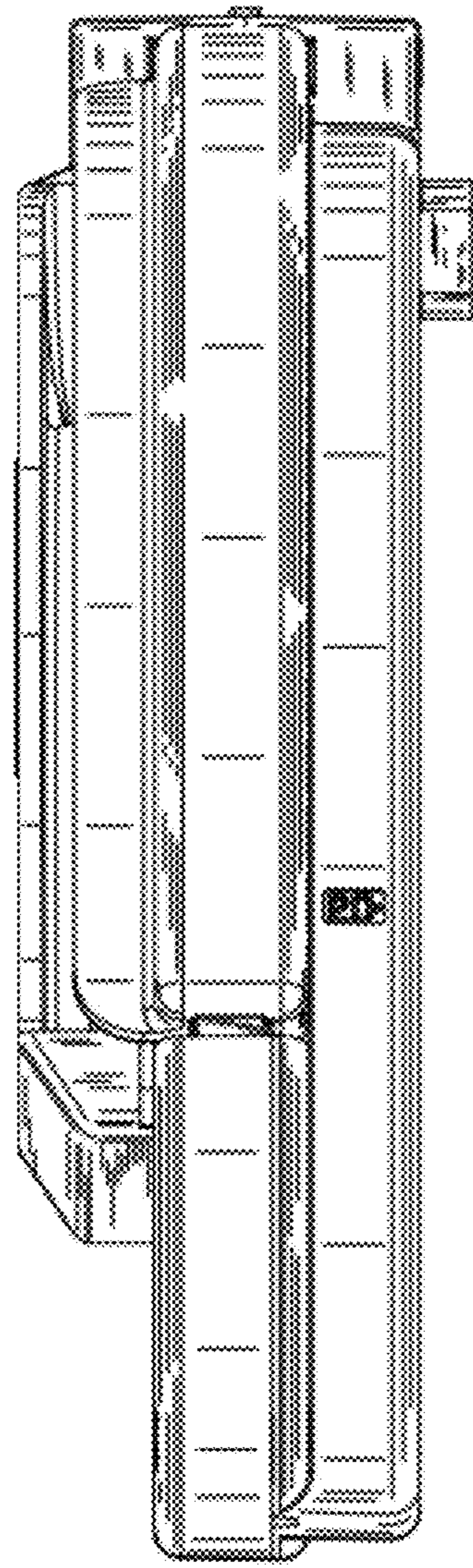


FIG. 3

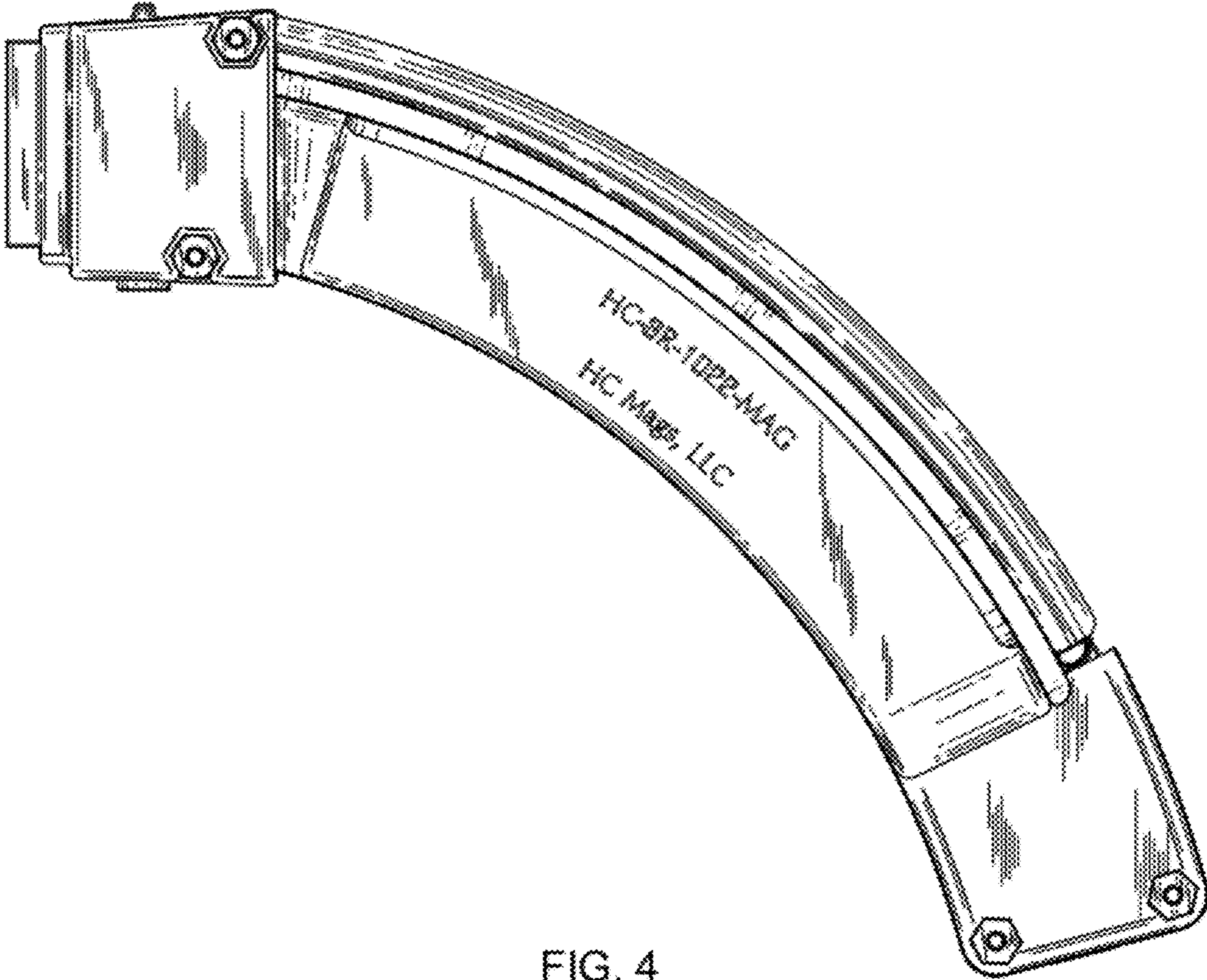


FIG. 4

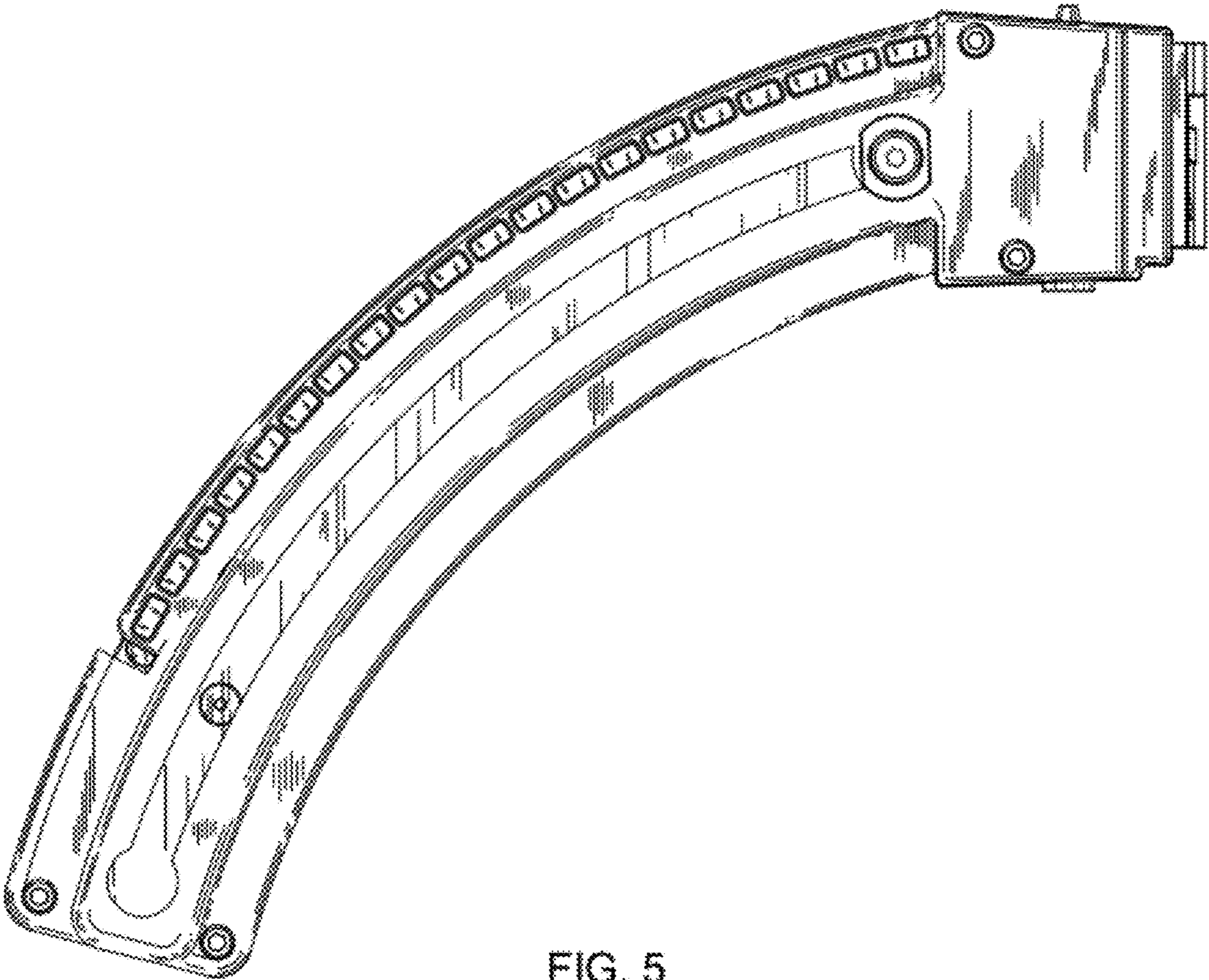


FIG. 5



FIG. 6

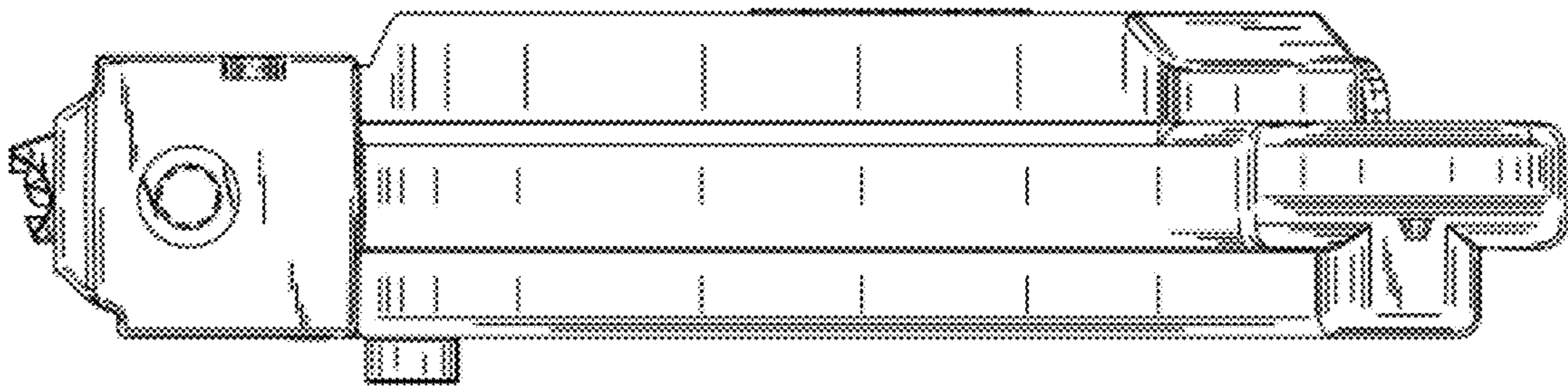


FIG. 7

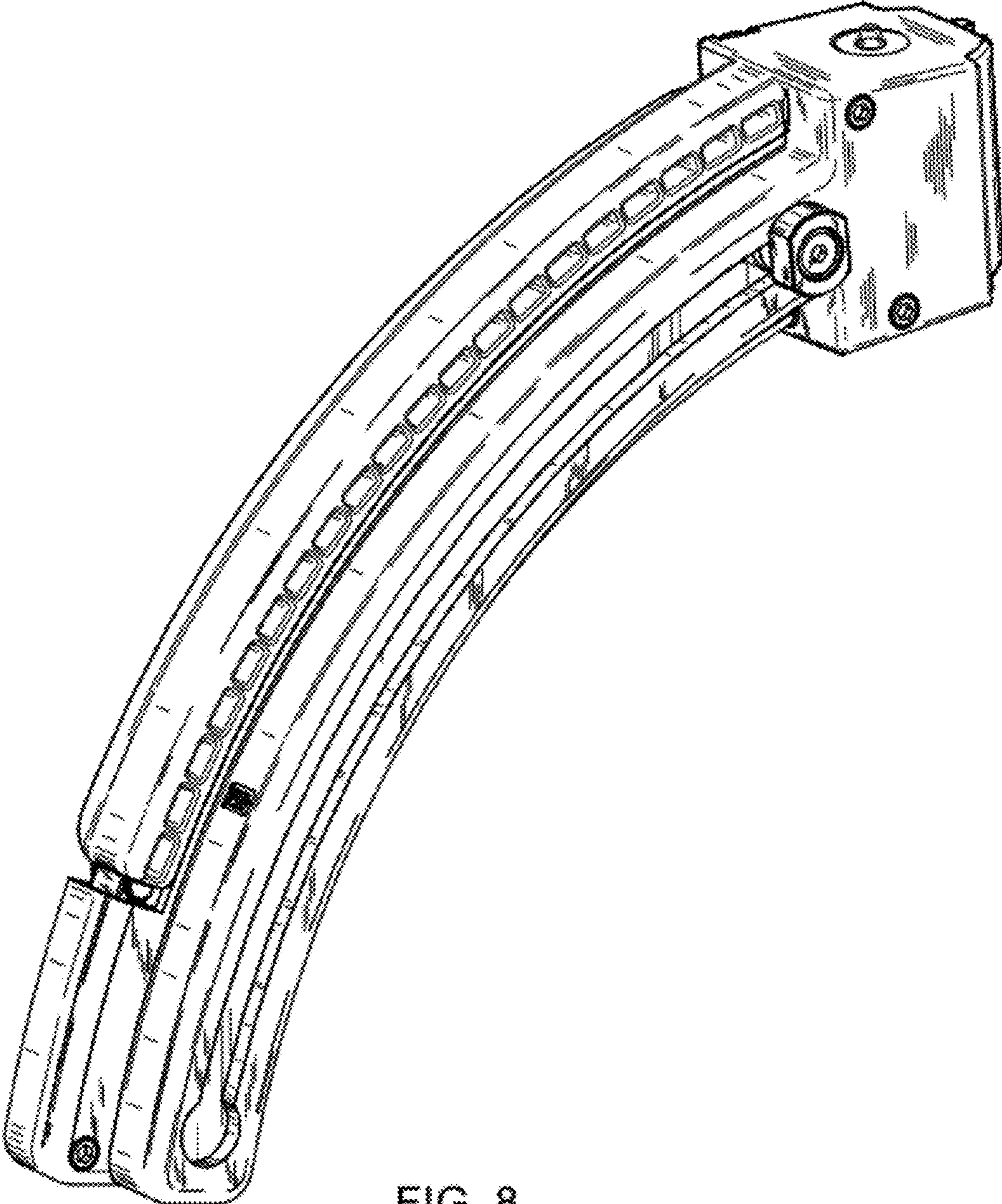


FIG. 8