



US00D666269S

(12) **United States Design Patent**
Heath

(10) **Patent No.:** **US D666,269 S**

(45) **Date of Patent:** **** Aug. 28, 2012**

(54) **FIREARM BARREL WITH INTEGRATED FLASH HIDER**

(76) Inventor: **Micheal Dwayne Heath**, Decatur, AL (US)

(**) Term: **14 Years**

(21) Appl. No.: **29/349,703**

(22) Filed: **Apr. 23, 2010**

(51) **LOC (9) Cl.** **22-01**

(52) **U.S. Cl.** **D22/108**

(58) **Field of Classification Search** D22/100, D22/101, 103, 104, 108, 199; D21/572, D21/573; 42/51, 71.01, 75.01, 75.02, 90, 42/94, 134, 136, 139, 125, 72, 111; 362/110; 33/241, 277; 313/105 R; 89/40.06, 41.19, 89/37.04, 33.04, 191.01, 200-204; 124/67, 124/66, 72, 74

See application file for complete search history.

(56) **References Cited**

U.S. PATENT DOCUMENTS

D285,331 S	8/1986	Cellini	
4,716,809 A *	1/1988	A'Costa	89/14.3
D349,147 S *	7/1994	Gwinn, Jr.	D22/108
5,596,161 A *	1/1997	Sommers	89/14.2
6,769,346 B2 *	8/2004	Rosenthal	89/14.3
D542,877 S	5/2007	Murello et al.	
7,377,205 B2 *	5/2008	Rosenthal	89/14.3
D598,516 S	8/2009	Butler	

D605,724 S *	12/2009	Heath	D22/108
D610,221 S *	2/2010	Brittingham	D22/108
7,886,650 B1 *	2/2011	Rosenthal	89/14.3
D647,588 S *	10/2011	Heath	D22/108
2005/0115394 A1 *	6/2005	Matthews et al.	89/14.4
2005/0260545 A1 *	11/2005	Schavone	434/18
2006/0010750 A1 *	1/2006	Yoshitaka	42/79
2006/0243125 A1 *	11/2006	La France	89/31
2008/0083321 A1 *	4/2008	Dueck et al.	89/14.3
2009/0031606 A1 *	2/2009	Robinson et al.	42/16
2011/0271575 A1 *	11/2011	Overbeek Bloem et al.	42/90

* cited by examiner

Primary Examiner — Michael A Pratt

(74) *Attorney, Agent, or Firm* — Atlanta Technology Law

(57) **CLAIM**

The ornamental design for a firearm barrel with integrated flash hider, as shown and described.

DESCRIPTION

FIG. 1 is a perspective side view of a firearm barrel with integrated flash hider showing my new design;

FIG. 2 is a side elevation view of the firearm barrel with integrated flash hider;

FIG. 3 is another side elevation view shown rotated 180 degrees from the position thereof;

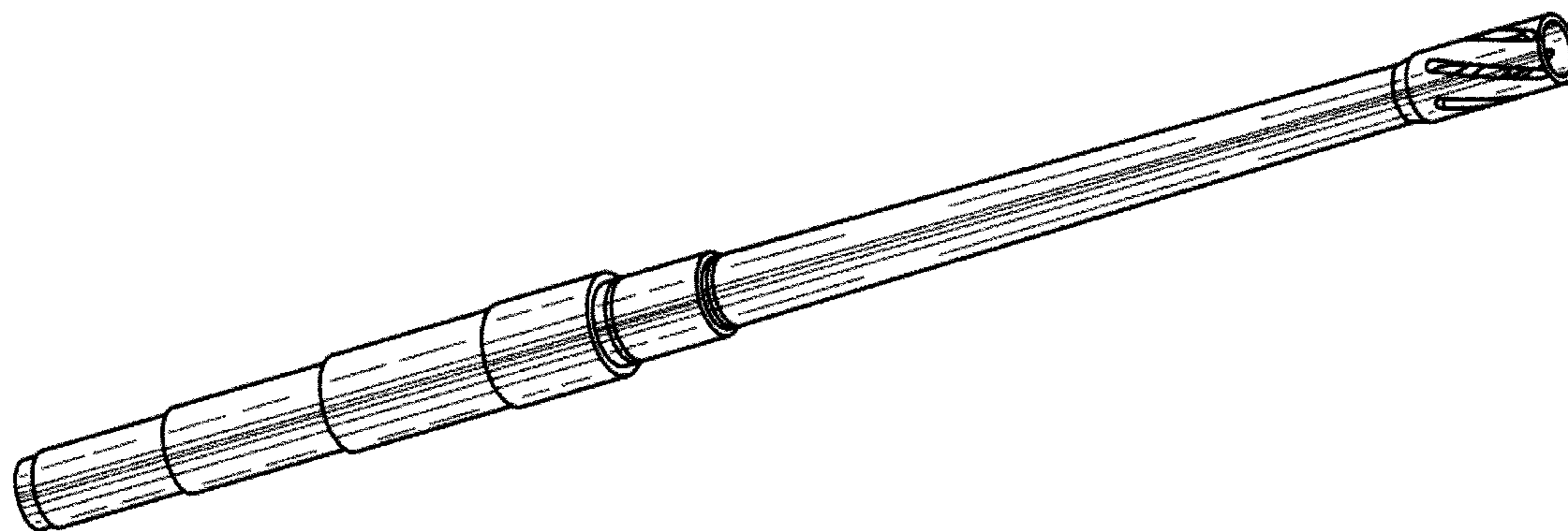
FIG. 4 is a rear view thereof;

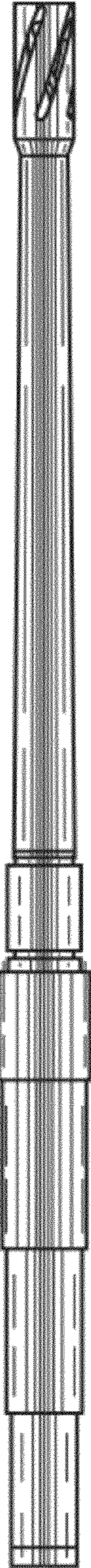
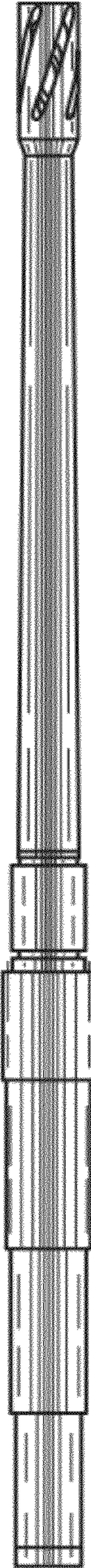
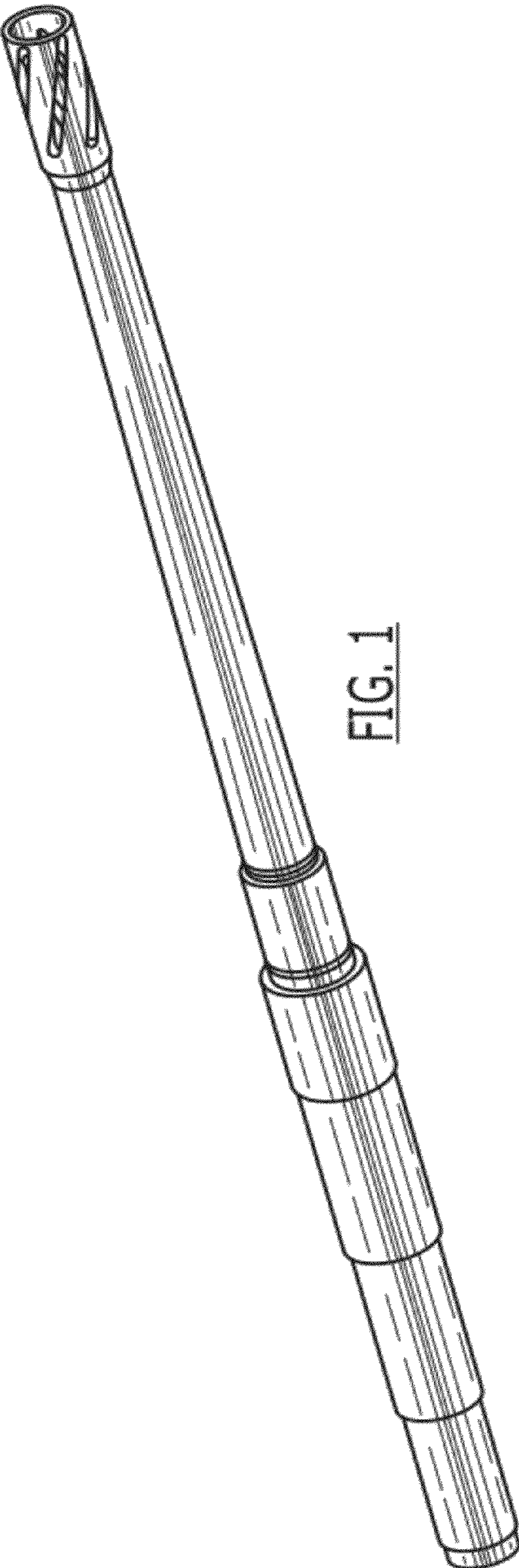
FIG. 5 is a front view thereof; and,

FIG. 6 is a side cutaway view thereof.

The broken lines in the figures are for illustrative purposes only and form no part of the claimed design.

1 Claim, 2 Drawing Sheets





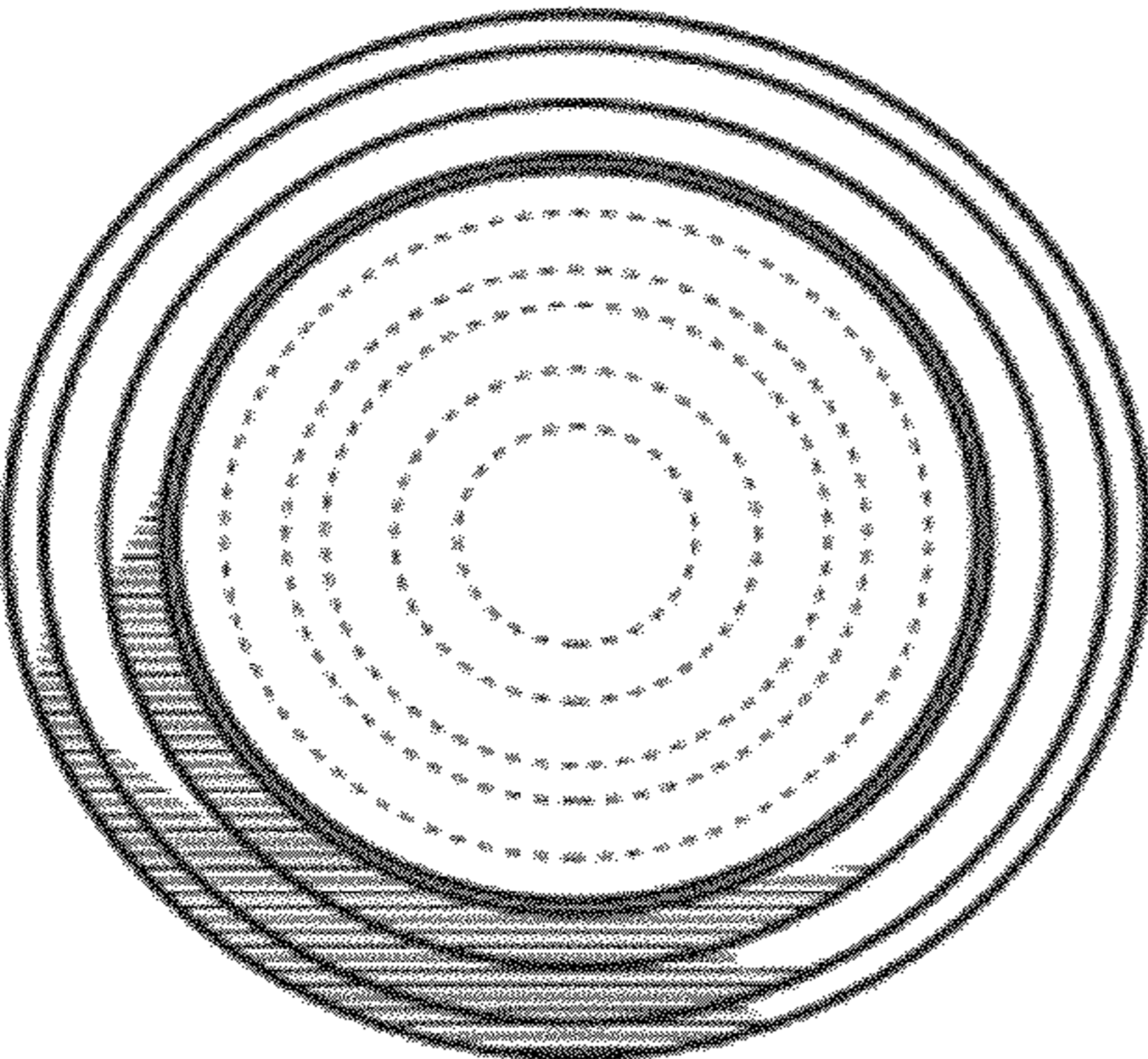


FIG. 4

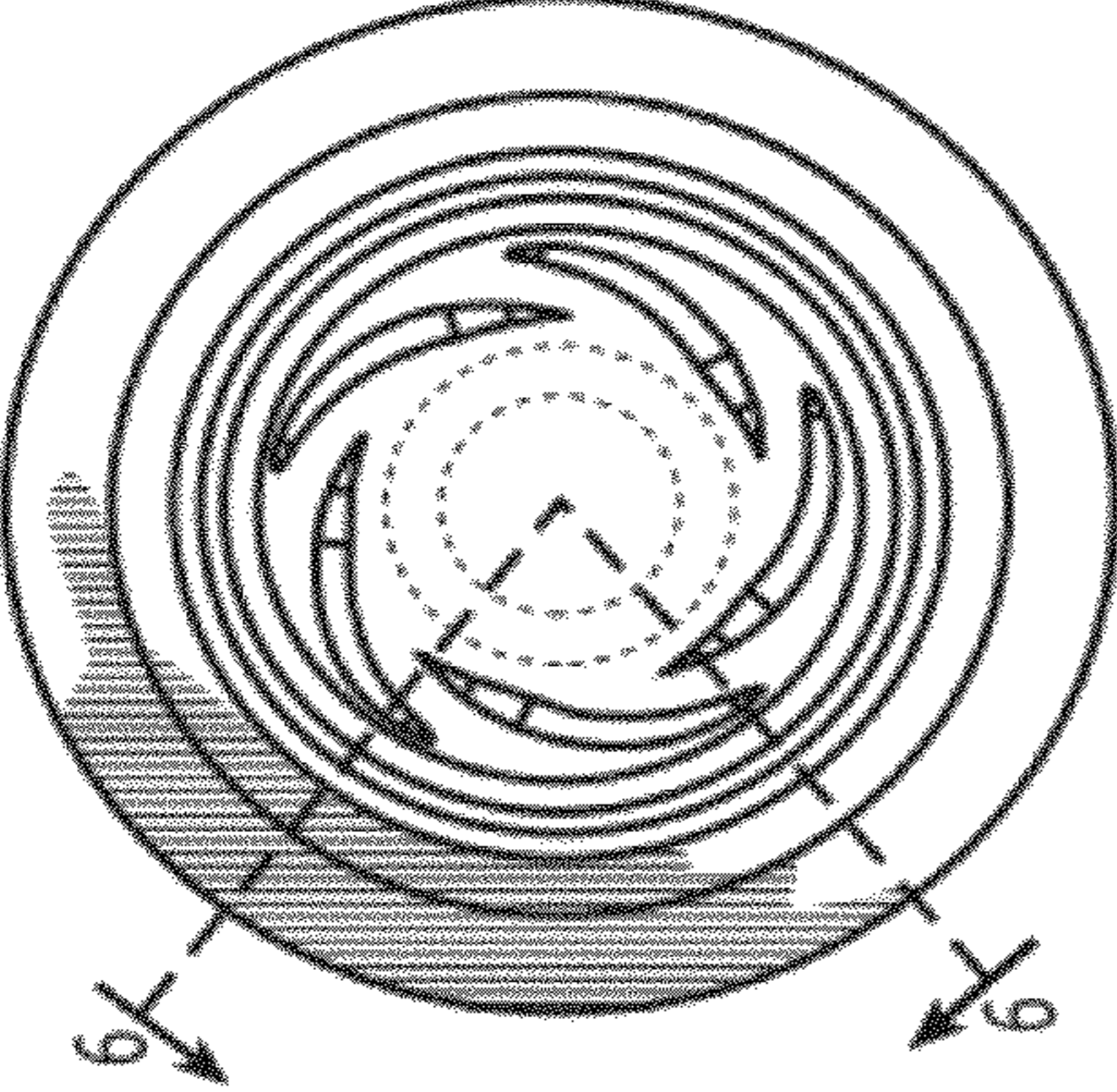


FIG. 5

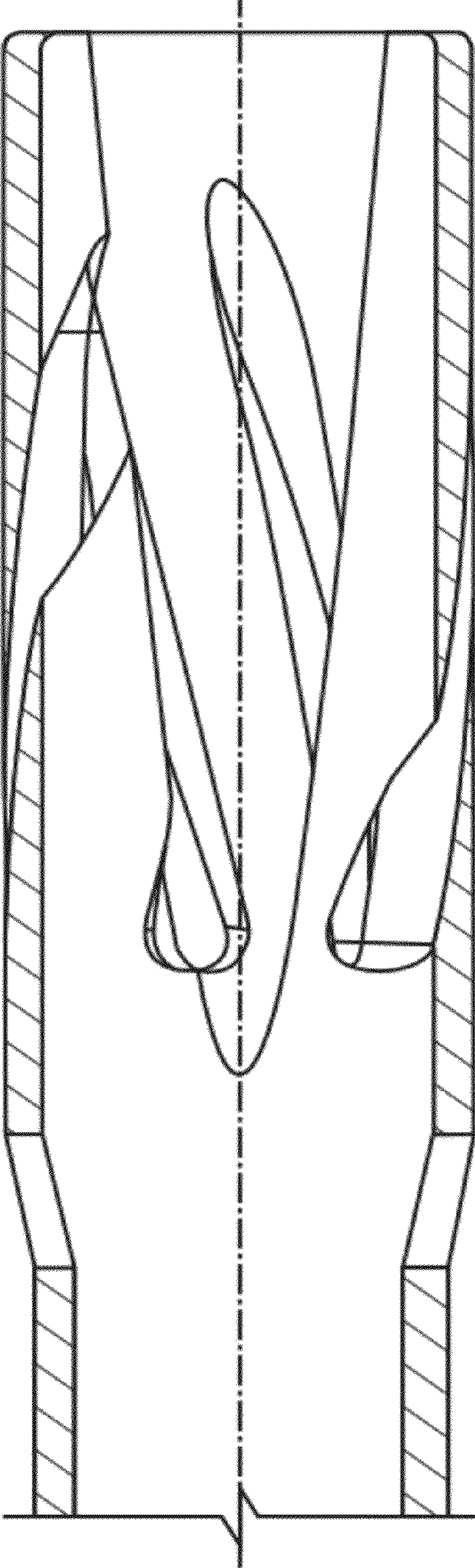


FIG. 6