



US00D666268S

(12) **United States Design Patent**
Huang et al.

(10) **Patent No.:** **US D666,268 S**

(45) **Date of Patent:** **** Aug. 28, 2012**

(54) **CONTROLLER TRIGGERING DEVICE**

7,200,966 B2 * 4/2007 Gooder 42/71.01
D622,802 S * 8/2010 Fitzpatrick et al. D22/103
D643,498 S * 8/2011 Burt D22/111

(75) Inventors: **Ennin Huang**, Santa Clara, CA (US);
Dana Chung, Foster City, CA (US)

* cited by examiner

(73) Assignee: **Sony Computer Entertainment**
America LLC, Foster City, CA (US)

Primary Examiner — Michael A Pratt

(74) *Attorney, Agent, or Firm* — Martine Penilla Group, LLP

(**) Term: **14 Years**

(57) **CLAIM**

The ornamental design for a controller triggering device, as shown and described.

(21) Appl. No.: **29/379,248**

(22) Filed: **Nov. 16, 2010**

DESCRIPTION

(51) **LOC (9) Cl.** **22-01**

(52) **U.S. Cl.** **D22/103; D14/418**

(58) **Field of Classification Search** D22/103–108;
D14/399–402, 418, 496; D21/324, 328,
D21/333, 57–575; 273/148 B, 440, 459,
273/460; 463/1, 30–36, 46, 47; 345/156,
345/161; 434/16, 18, 19, 20, 24

FIG. 1 is a perspective view of our controller triggering device design;

FIG. 2 is a front view thereof;

FIG. 3 is a rear view thereof;

FIG. 4 is a right side view thereof;

FIG. 5 is a left right side view thereof;

FIG. 6 is a top view thereof;

FIG. 7 is a bottom view thereof; and,

FIG. 8 is another perspective view of our controller triggering device.

See application file for complete search history.

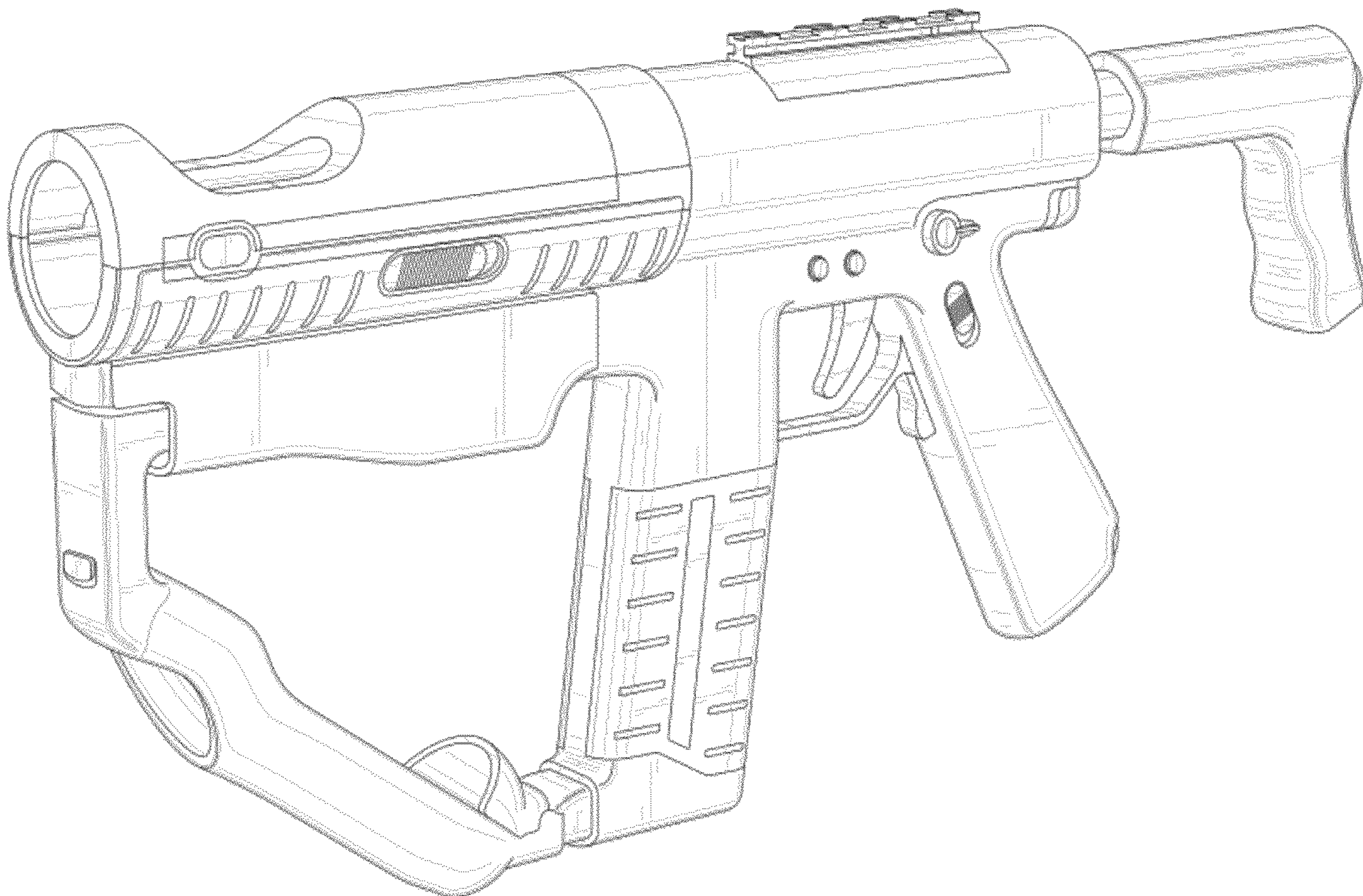
The broken line showing of portions of the controller triggering device is included for the purpose of illustrating environment and forms no part of the claimed design.

(56) **References Cited**

U.S. PATENT DOCUMENTS

D206,669 S * 1/1967 Hirsch D21/573
D286,308 S * 10/1986 Mayer et al. D21/573
D338,690 S * 8/1993 Smith et al. D14/418
D374,463 S * 10/1996 Butler et al. D14/418

1 Claim, 6 Drawing Sheets



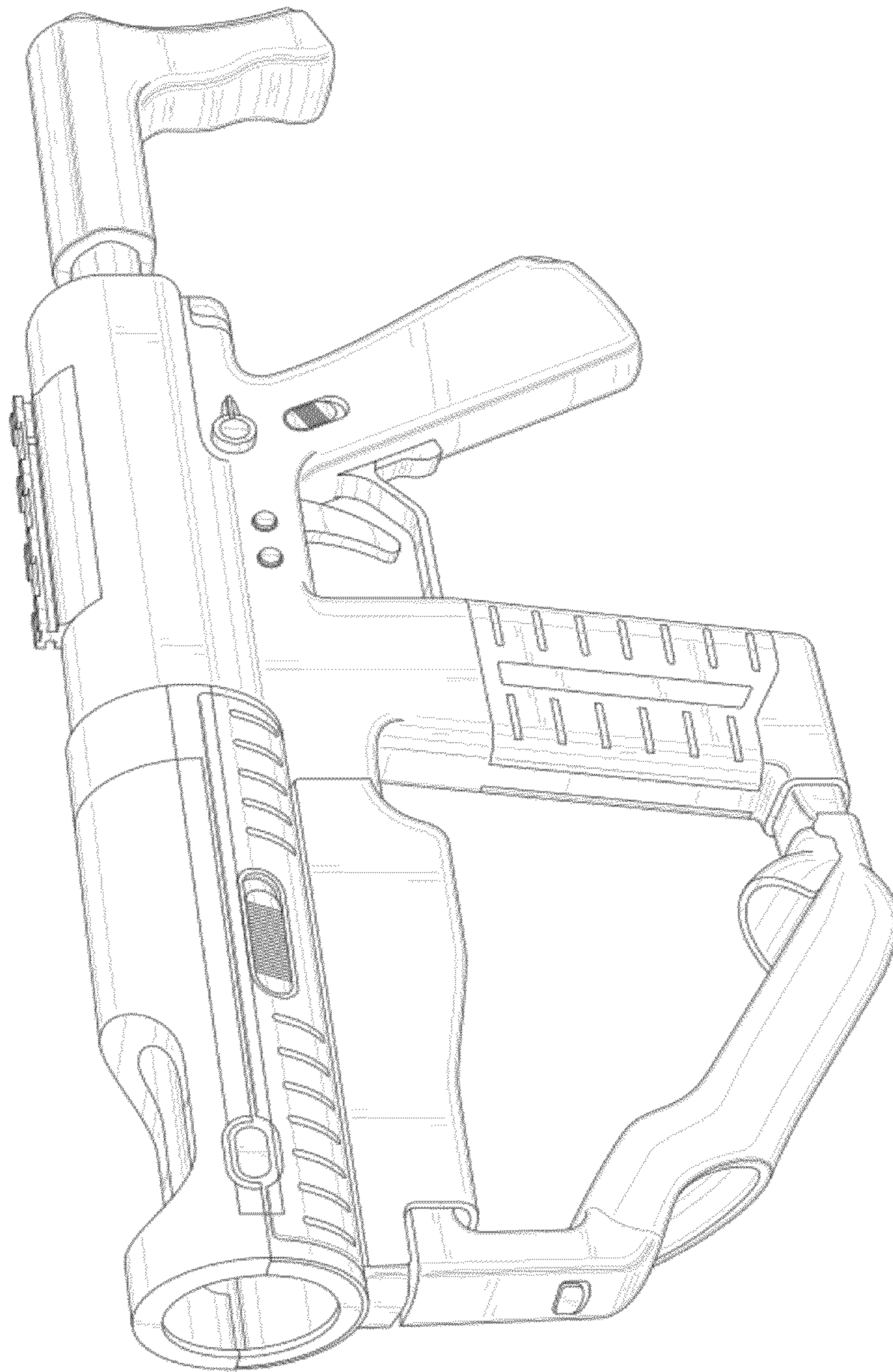


FIG. 1

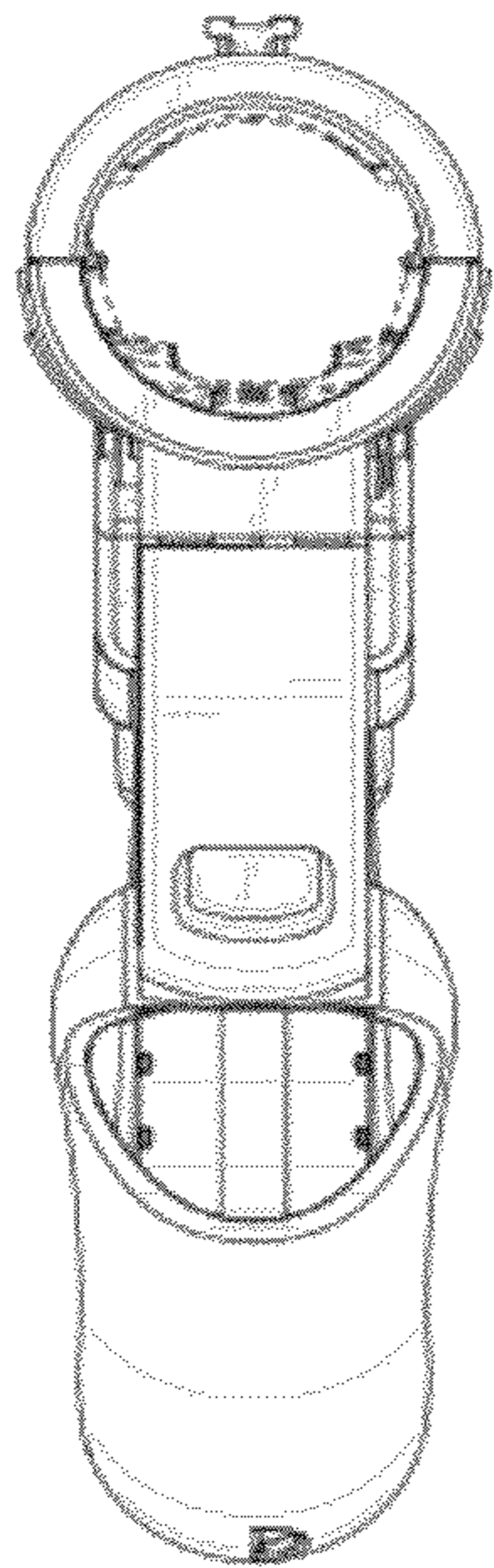


FIG. 2

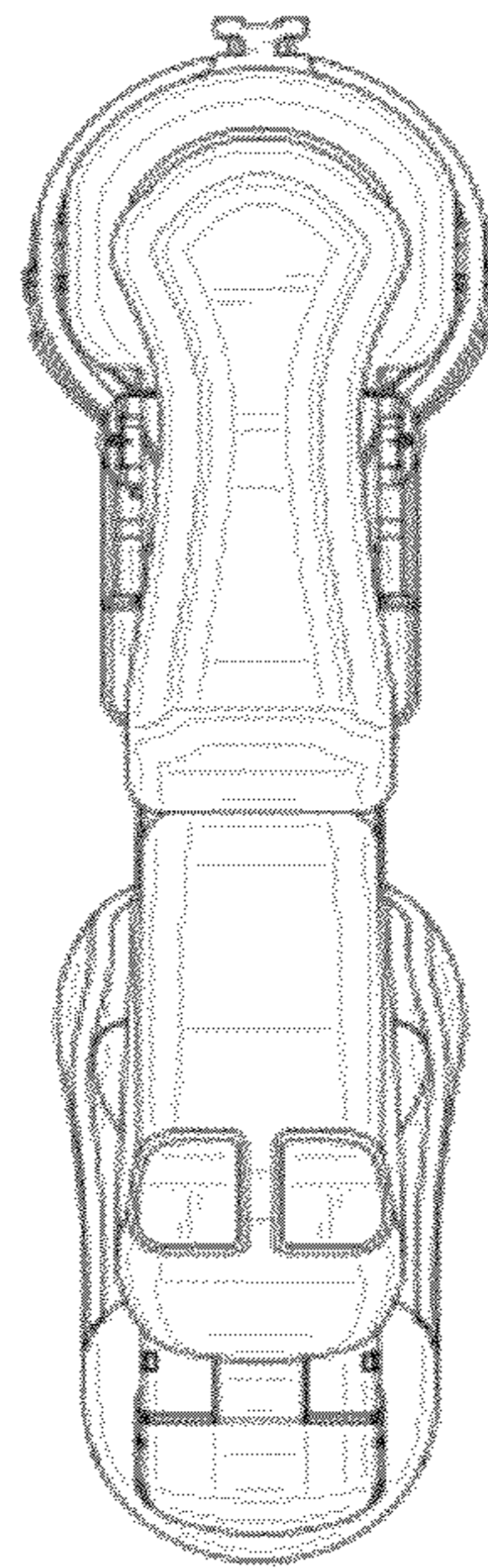


FIG. 3

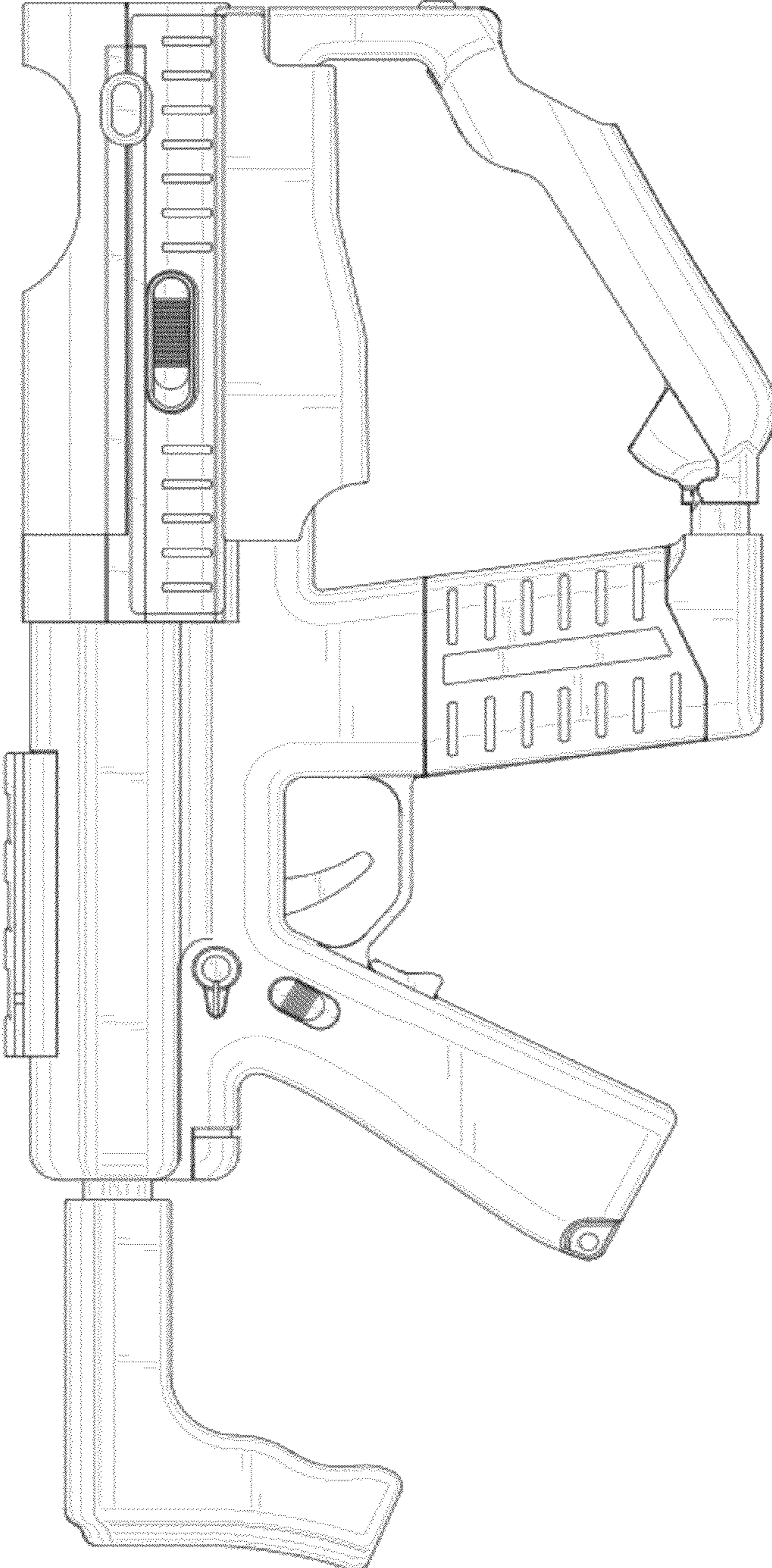


FIG. 4

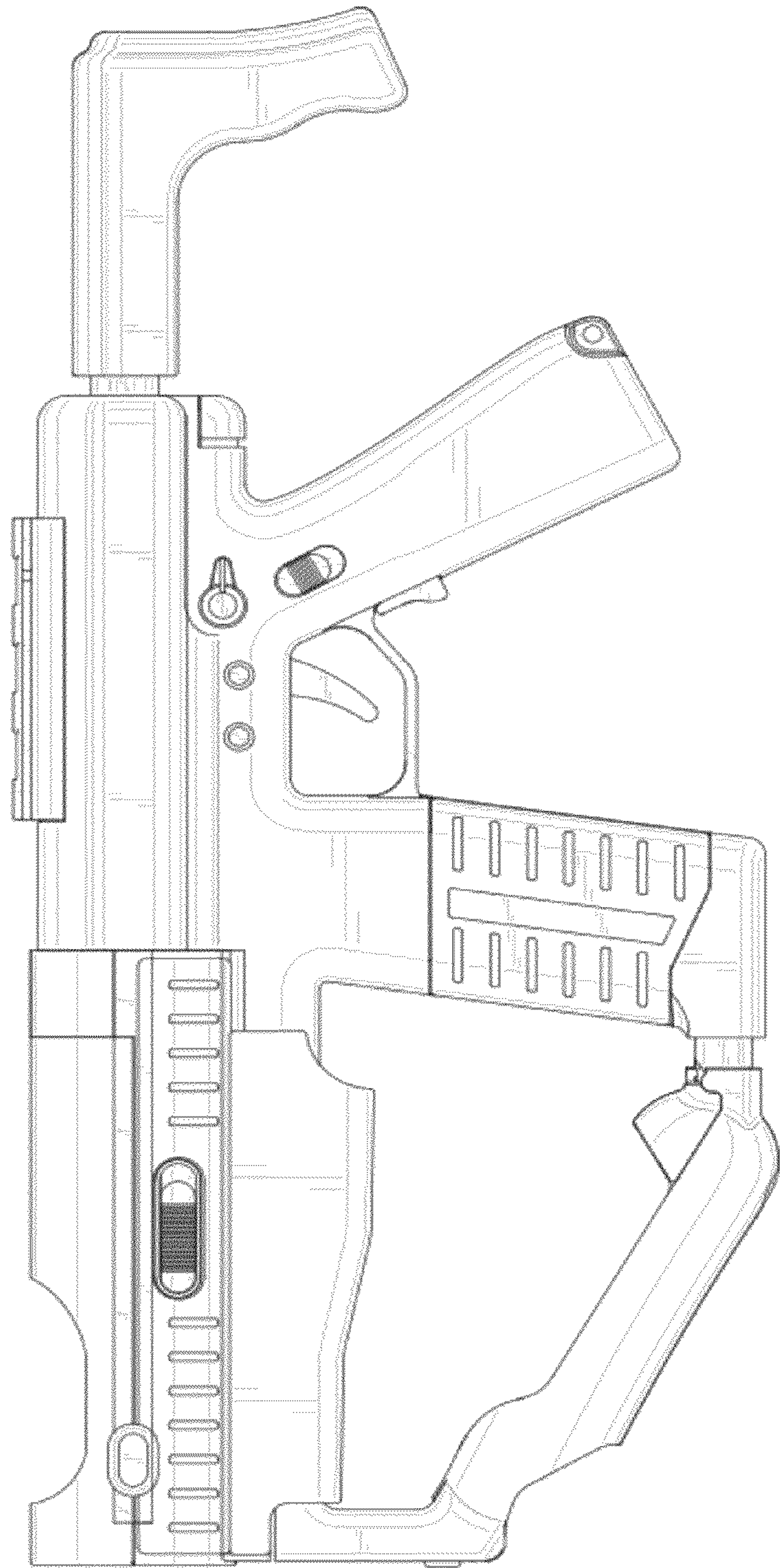


FIG. 5

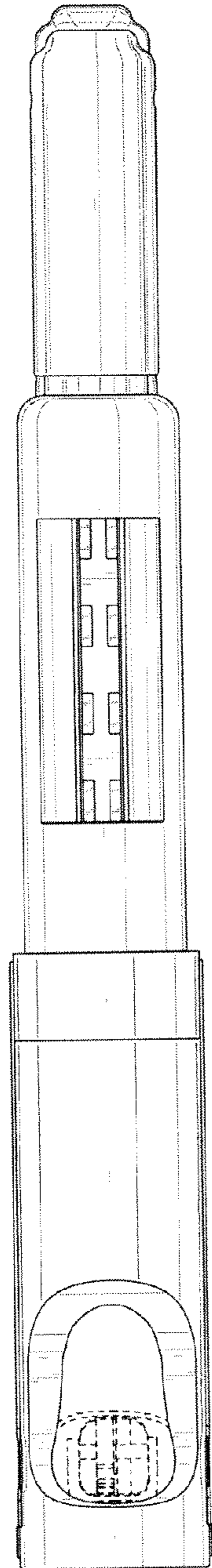


FIG. 6

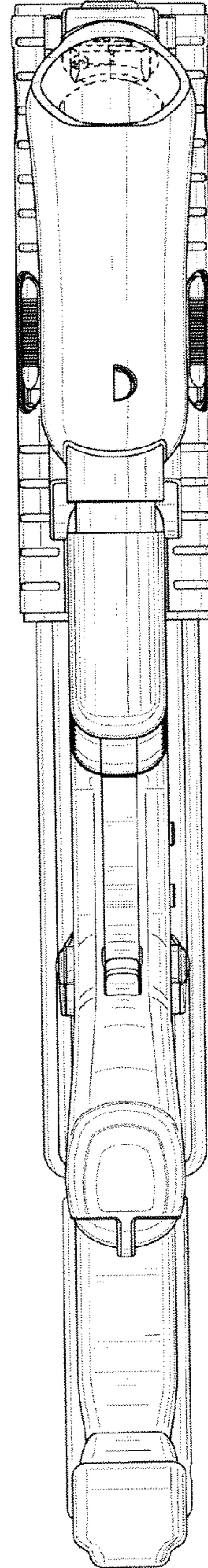


FIG. 7

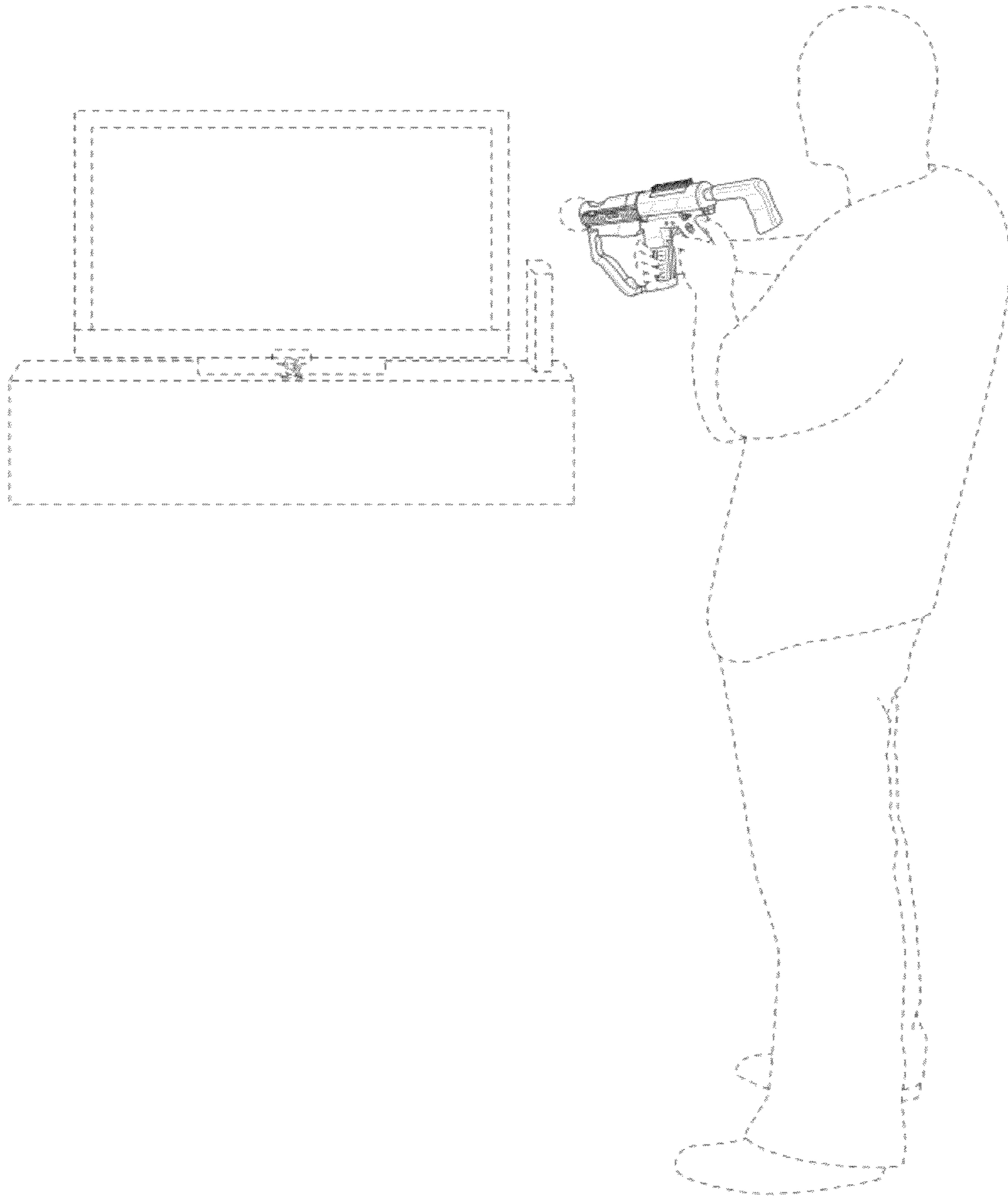


FIG. 8