



US00D666266S

(12) **United States Design Patent**  
**Publicover et al.**

(10) **Patent No.:** **US D666,266 S**

(45) **Date of Patent:** **\*\* Aug. 28, 2012**

(54) **TRAMPOLINE FRAME**

(76) Inventors: **Mark W. Publicover**, Saratoga, CA  
(US); **Jon P. Hylbert**, Los Gatos, CA  
(US); **Donald Strasser**, Trumbull, CT  
(US)

(\*\*) Term: **14 Years**

(21) Appl. No.: **29/369,844**

(22) Filed: **Sep. 14, 2010**

**Related U.S. Application Data**

(63) Continuation-in-part of application No. 12/881,486,  
filed on Sep. 29, 2009, which is a continuation-in-part  
of application No. 12/881,105, filed on Sep. 14, 2009.

(51) **LOC (9) Cl.** ..... **21-02**

(52) **U.S. Cl.** ..... **D21/797**

(58) **Field of Classification Search** ..... D21/662,  
D21/672, 673, 675, 676, 686, 690, 691, 692,  
D21/694, 797, 814; 482/27, 28, 29, 30, 38,  
482/51, 52, 53, 79, 80, 142, 146, 147; D6/349,  
D6/484

See application file for complete search history.

(56) **References Cited**

**U.S. PATENT DOCUMENTS**

D86,020	S	*	1/1932	Gibson	.....	D6/349
2,809,383	A	*	10/1957	Fenner et al.	.....	482/28
2,871,073	A		1/1959	Swanson		
3,246,928	A		4/1966	Haynes et al.		
3,326,148	A		6/1967	Jakobsen		
3,408,069	A	*	10/1968	Lewis	.....	482/30
3,408,965	A		11/1968	Hamilton et al.		
D219,824	S	*	2/1971	Swanson	.....	D21/797
3,610,686	A		10/1971	Caruse		

D223,263	S	*	4/1972	Goldstein	.....	D23/304
4,331,329	A		5/1982	Mirkovich et al.		
4,779,541	A		10/1988	Milward		
4,836,530	A		6/1989	Stanley		
4,850,647	A		7/1989	Engel		
D314,219	S	*	1/1991	Lo	.....	D21/670
5,626,394	A		5/1997	Perry		
D379,682	S	*	6/1997	Rafaat	.....	D30/118
6,155,495	A	*	12/2000	Jones	.....	239/289
D440,415	S		4/2001	Bellini		
D476,705	S	*	7/2003	Dillard	.....	D21/662
6,663,538	B2	*	12/2003	Yoon	.....	482/27

(Continued)

*Primary Examiner* — Susan E Krakower

(74) *Attorney, Agent, or Firm* — Edward S. Sherman

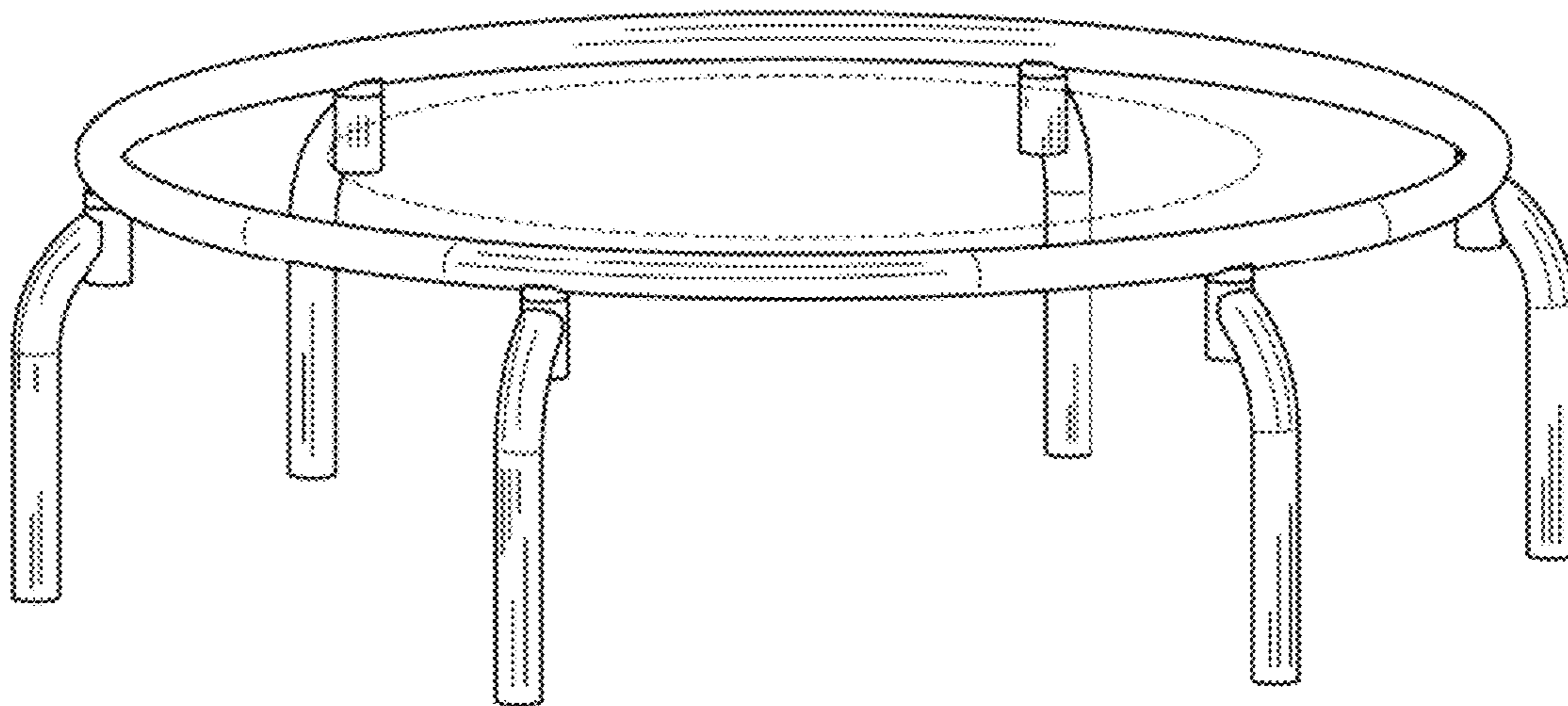
(57) **CLAIM**

The ornamental design for a trampoline frame, as shown and described.

**DESCRIPTION**

FIG. 1 is a perspective view of a first embodiment of a “trampoline frame”, showing our new design;  
 FIG. 2 is a front elevational view of FIG. 1;  
 FIG. 3 is a side elevational view of FIG. 1;  
 FIG. 4 is a top plan view of FIG. 1;  
 FIG. 5 is a bottom plan view of FIG. 1;  
 FIG. 6 is a perspective view of a second embodiment of a “trampoline frame”, showing our new design;  
 FIG. 7 is a front elevational view of the embodiment of FIG. 6;  
 FIG. 8 is a side elevational view of the embodiment of FIG. 6;  
 FIG. 9 is a top plan view of the embodiment of FIG. 6; and,  
 FIG. 10 is a bottom plan view of the embodiment of FIG. 6.  
 The broken lines illustrate environmental elements of the trampoline frame which form no part of the claimed design.

**1 Claim, 10 Drawing Sheets**



# US D666,266 S

Page 2

---

## U.S. PATENT DOCUMENTS

D504,711 S *	5/2005	Hsiung .....	D21/797	D560,082 S	1/2008	Theemann
7,059,670 B2	6/2006	Mills et al.		7,335,146 B2	2/2008	Gerstung
7,094,181 B2	8/2006	Hall				

\* cited by examiner

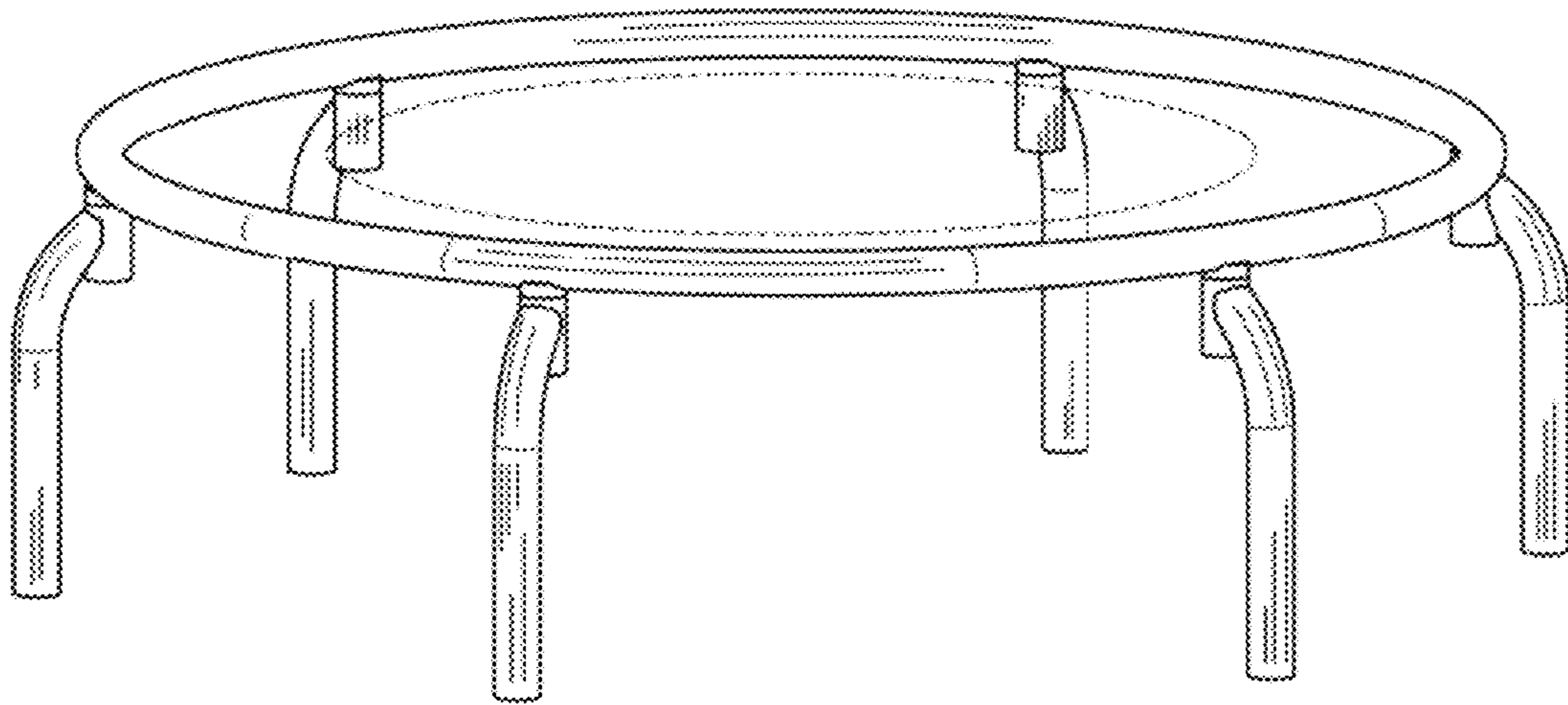


FIG. 1

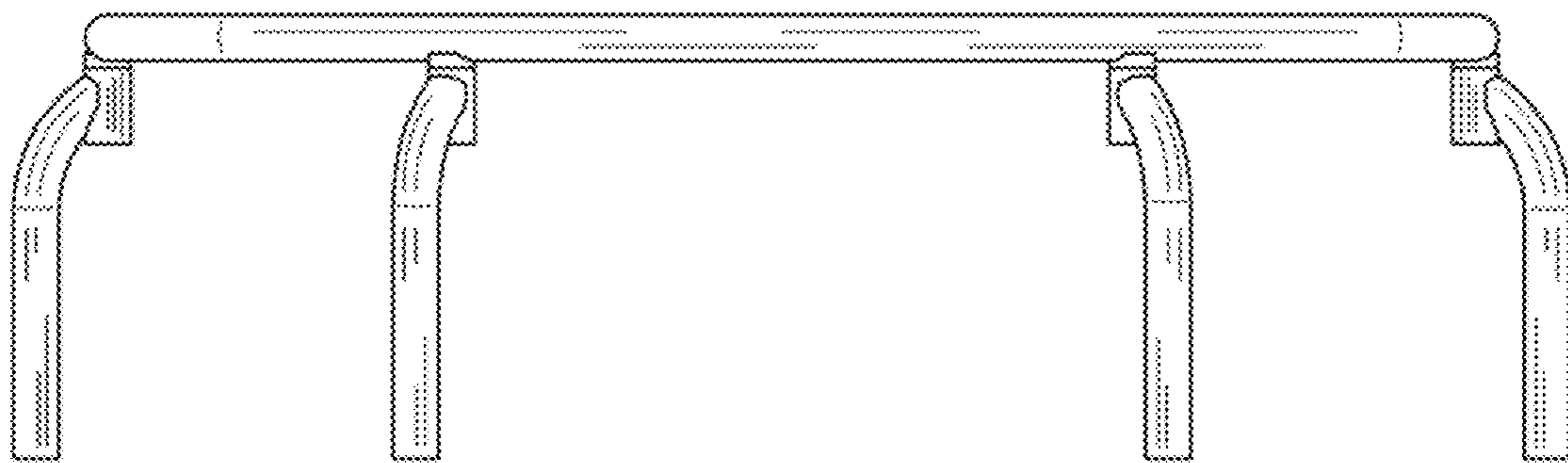


FIG. 2

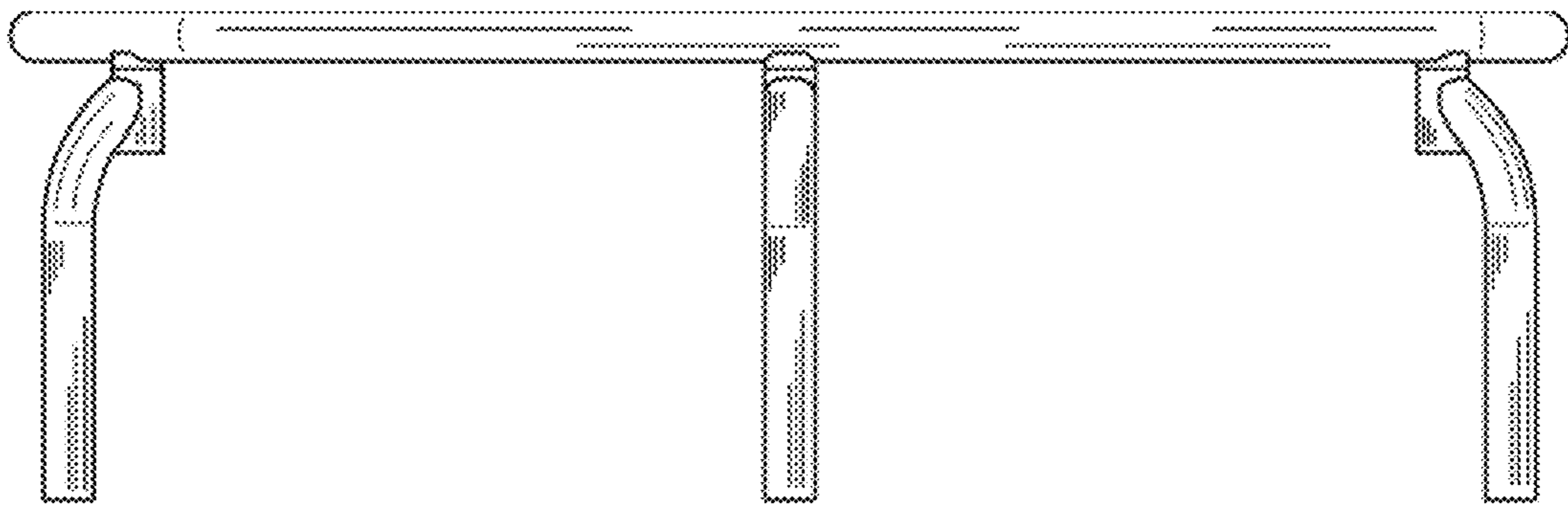


FIG. 3

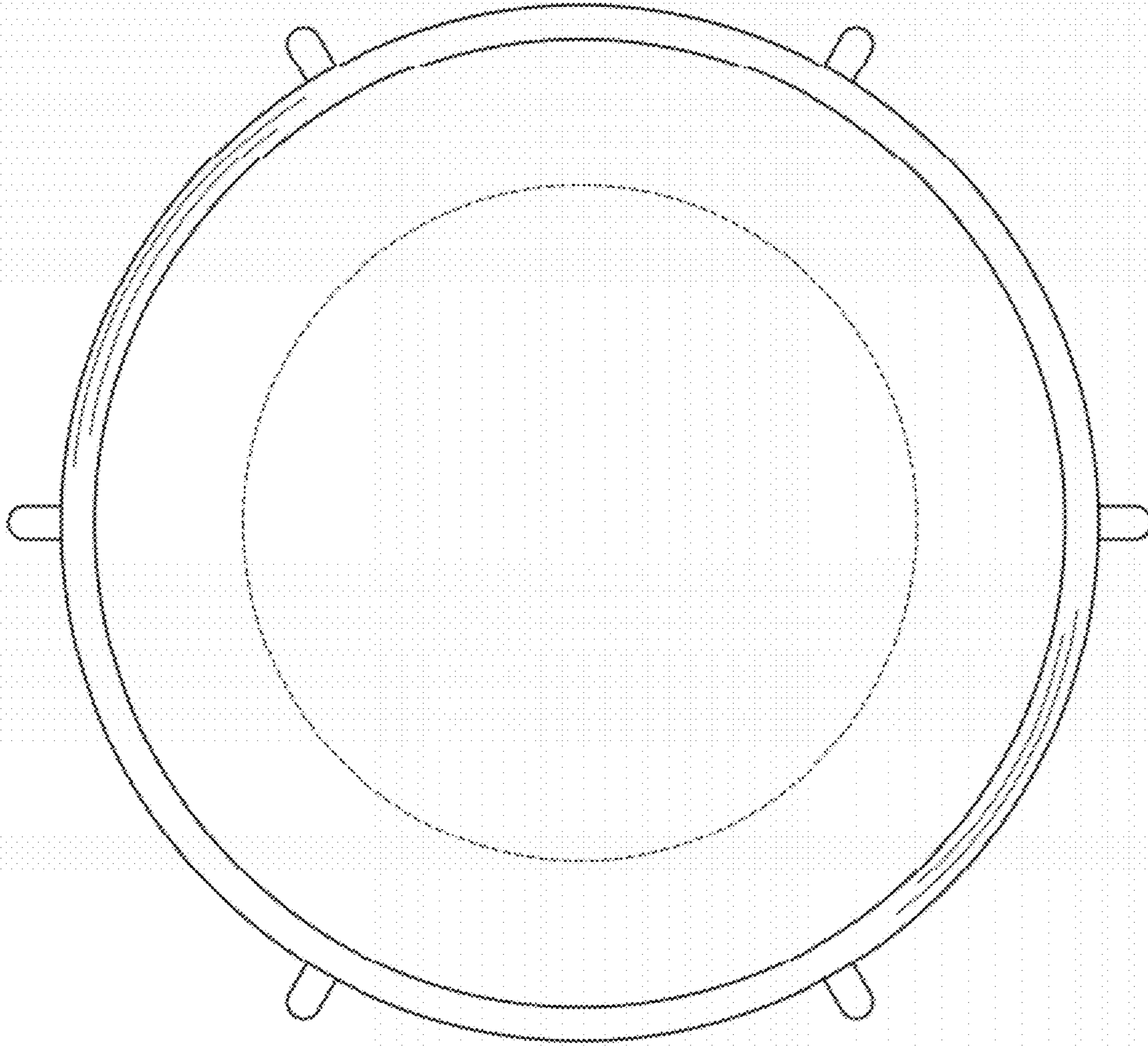


FIG. 4

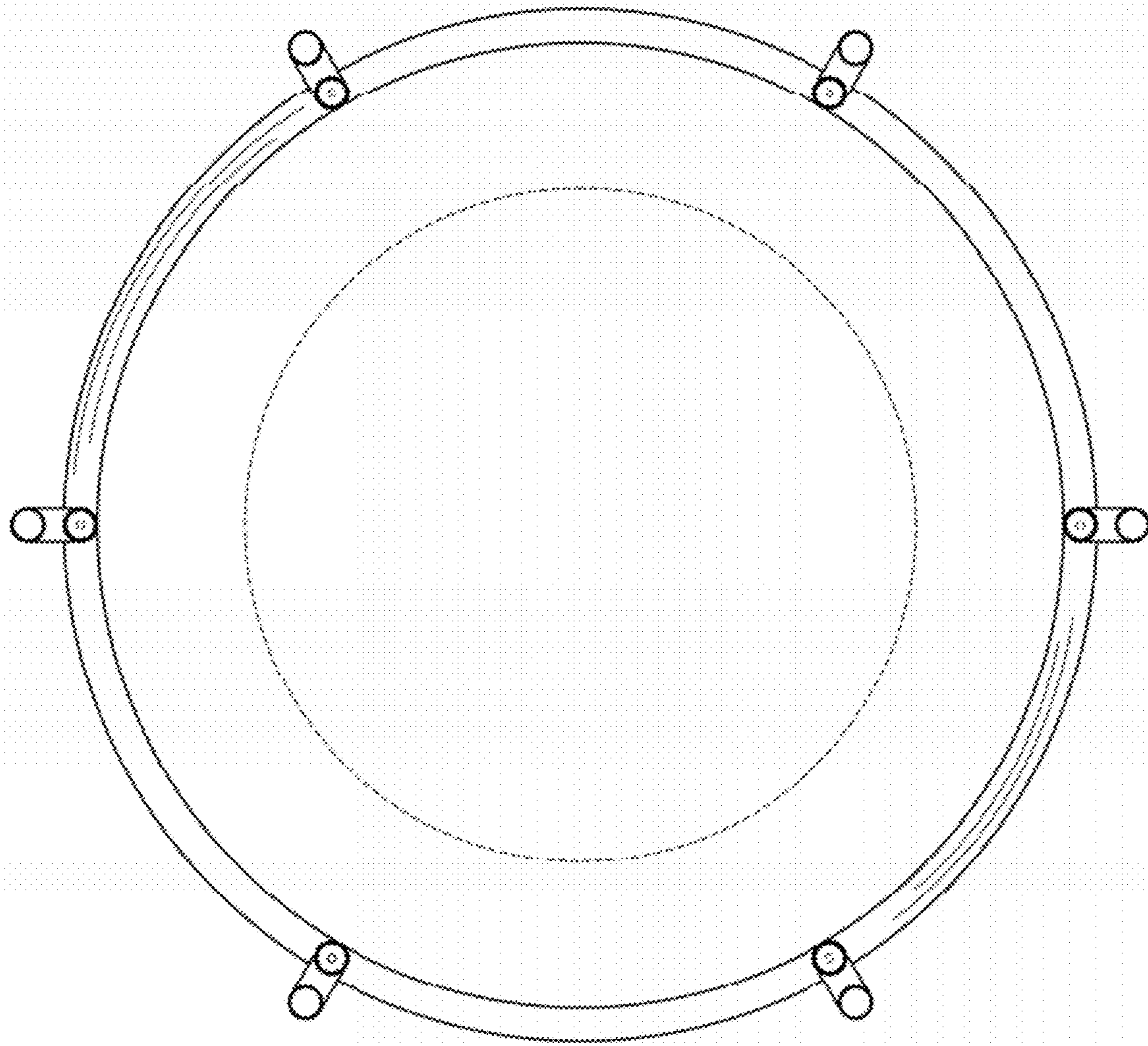


FIG. 5

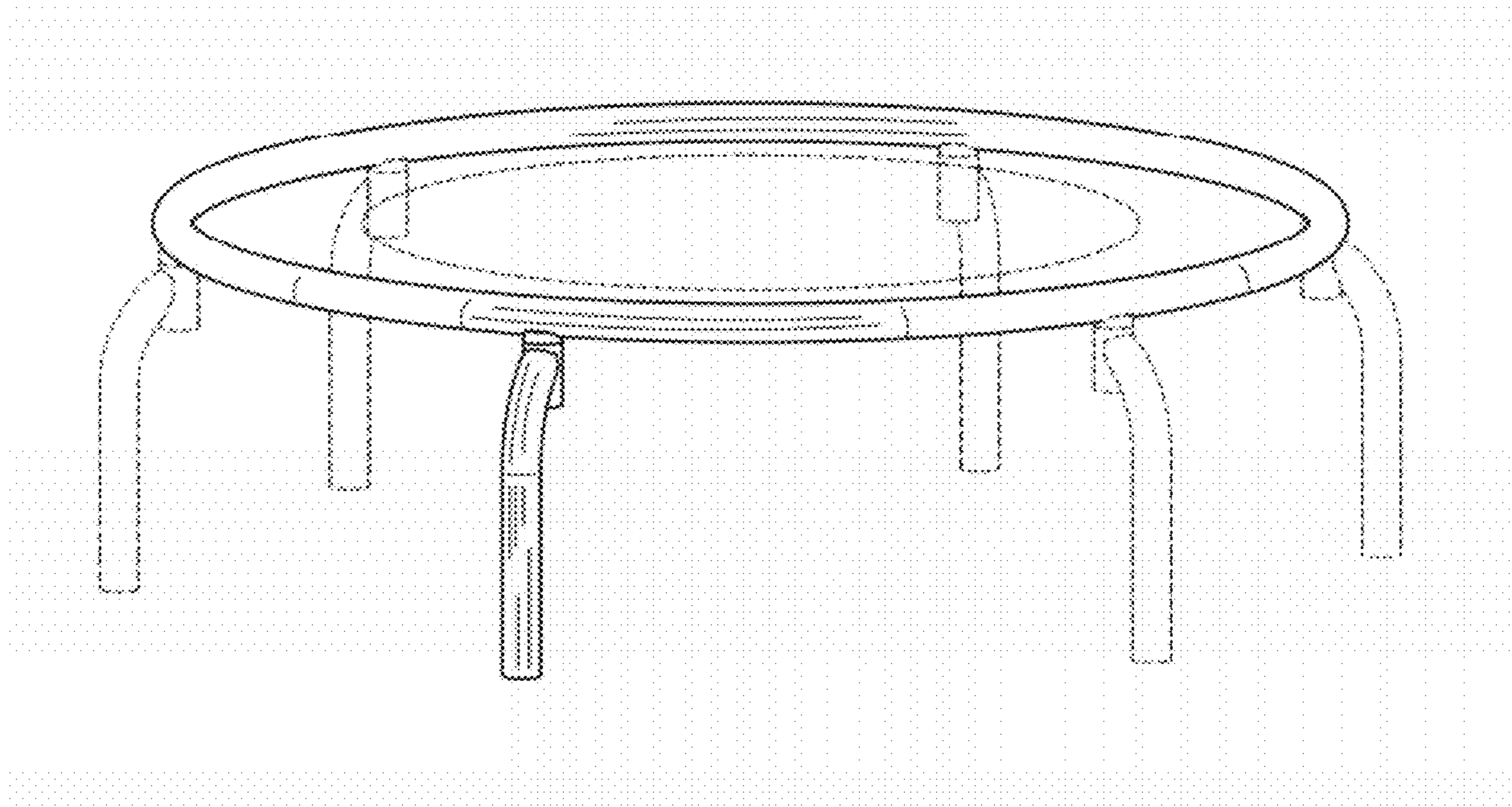


FIG. 6



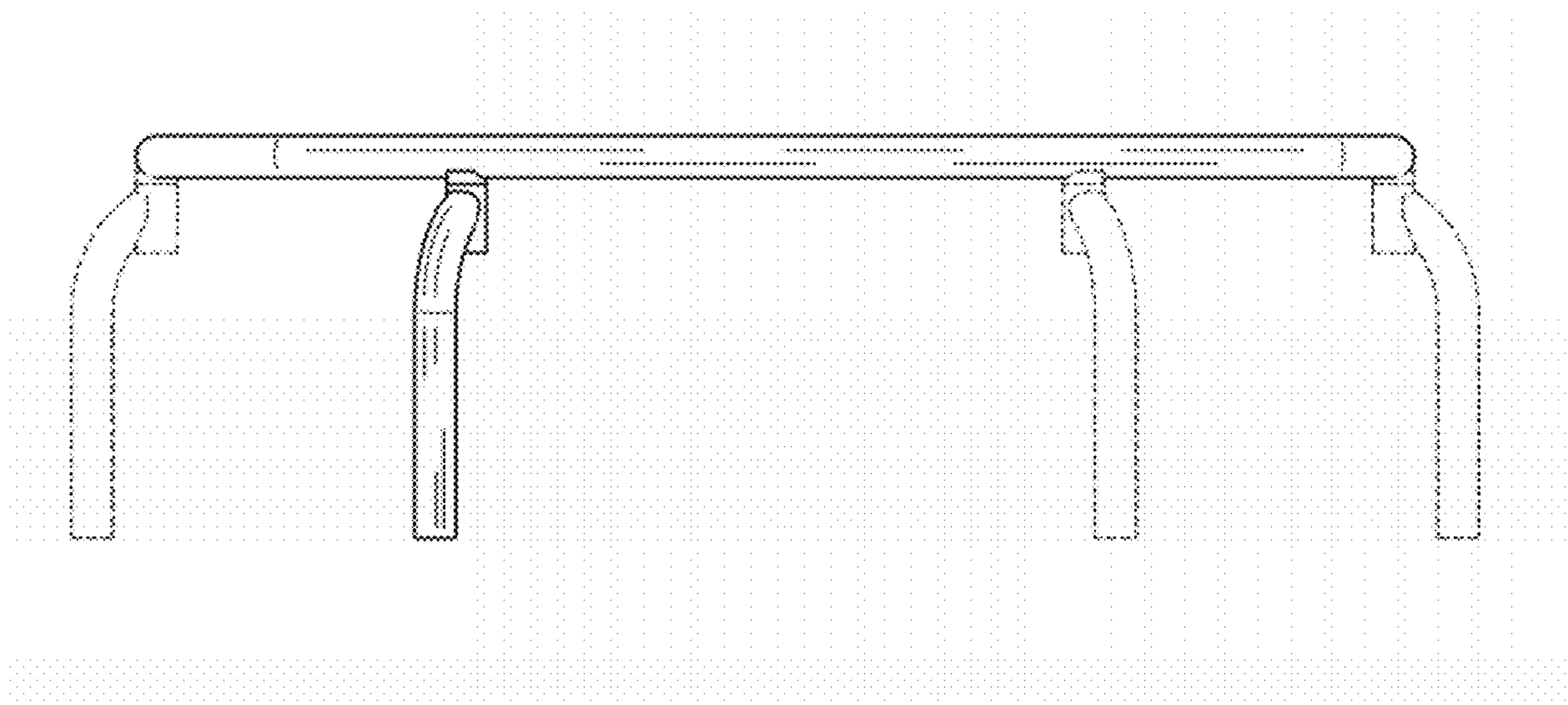


FIG. 7

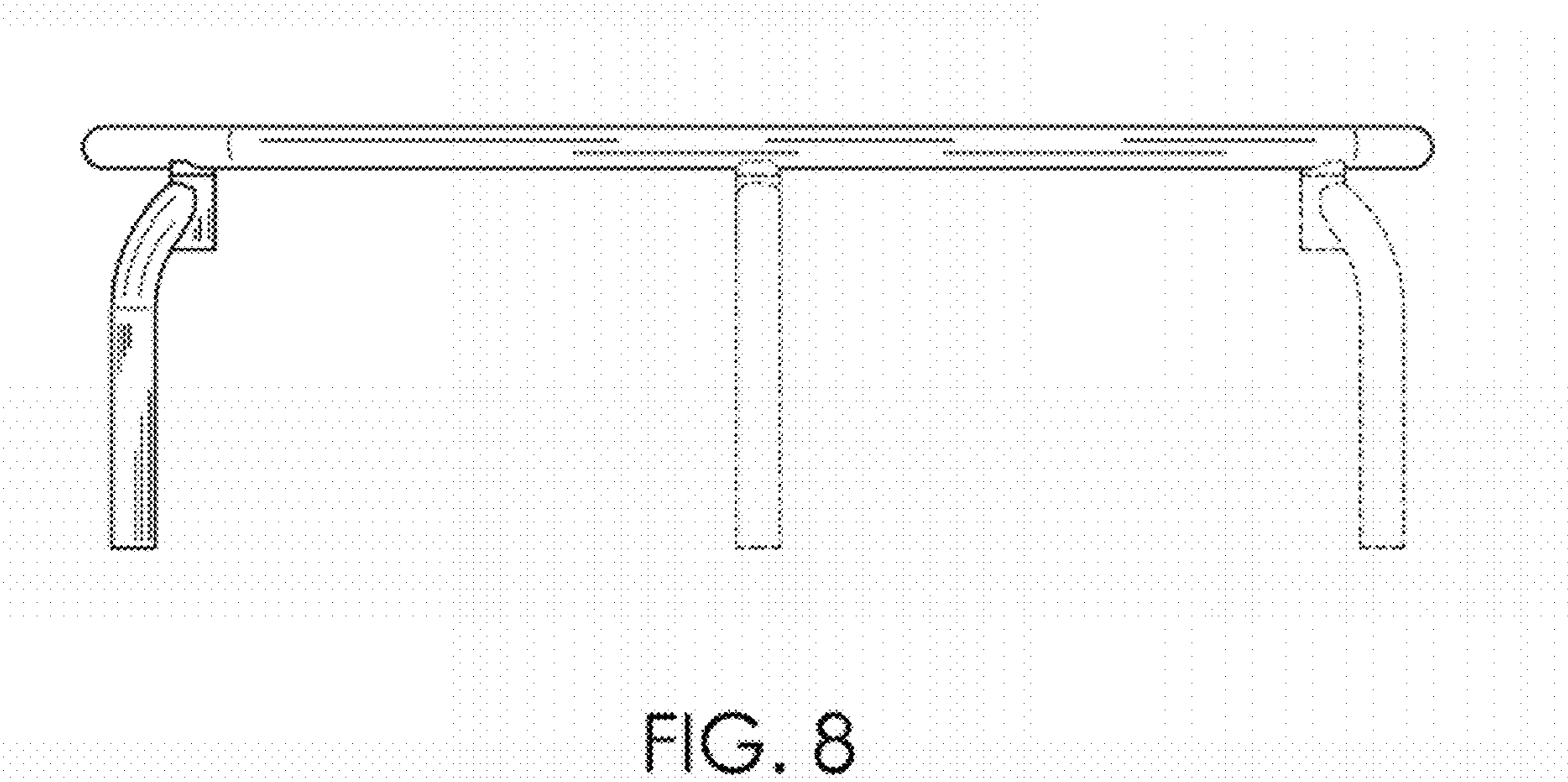


FIG. 8

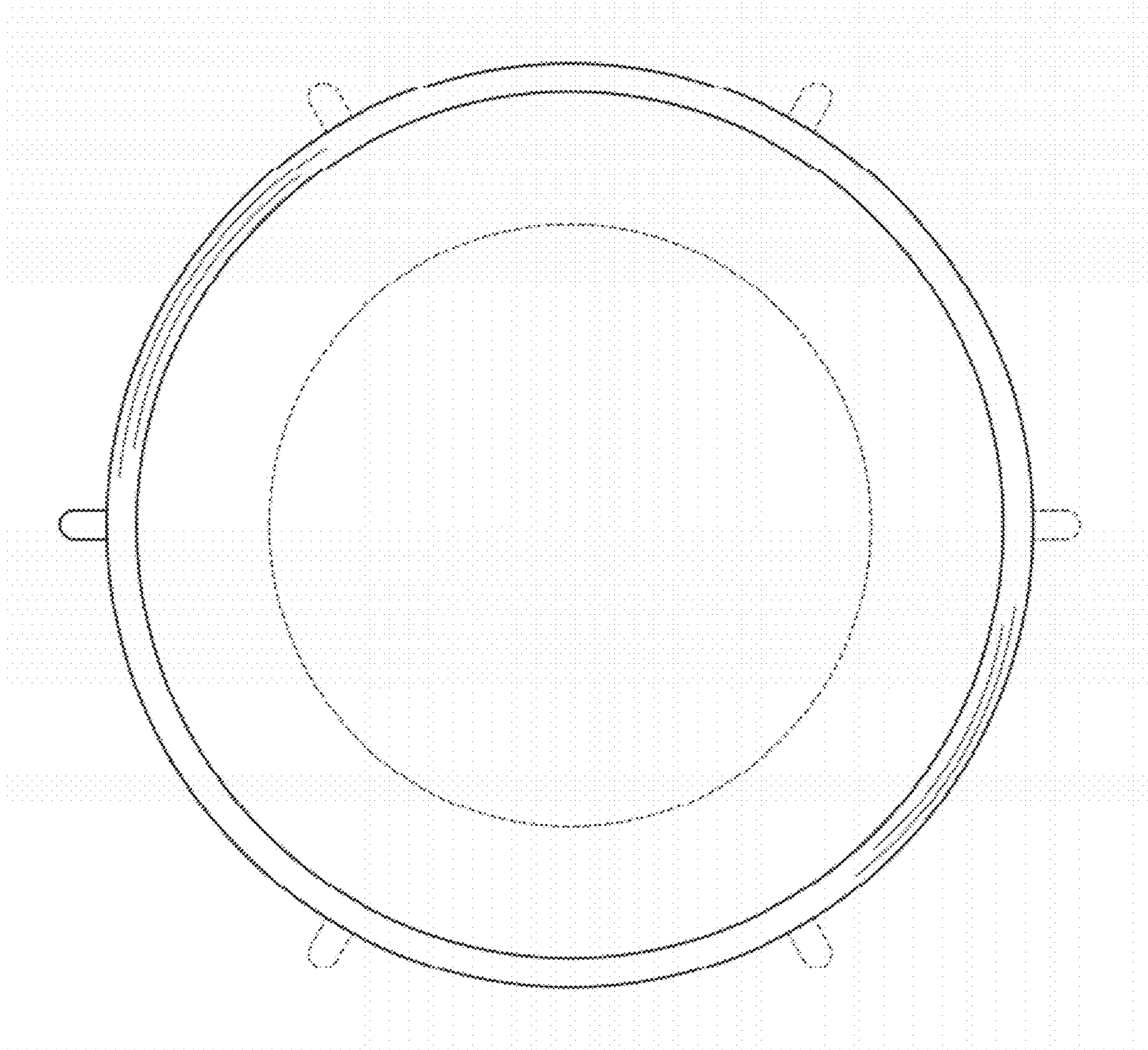


FIG. 9

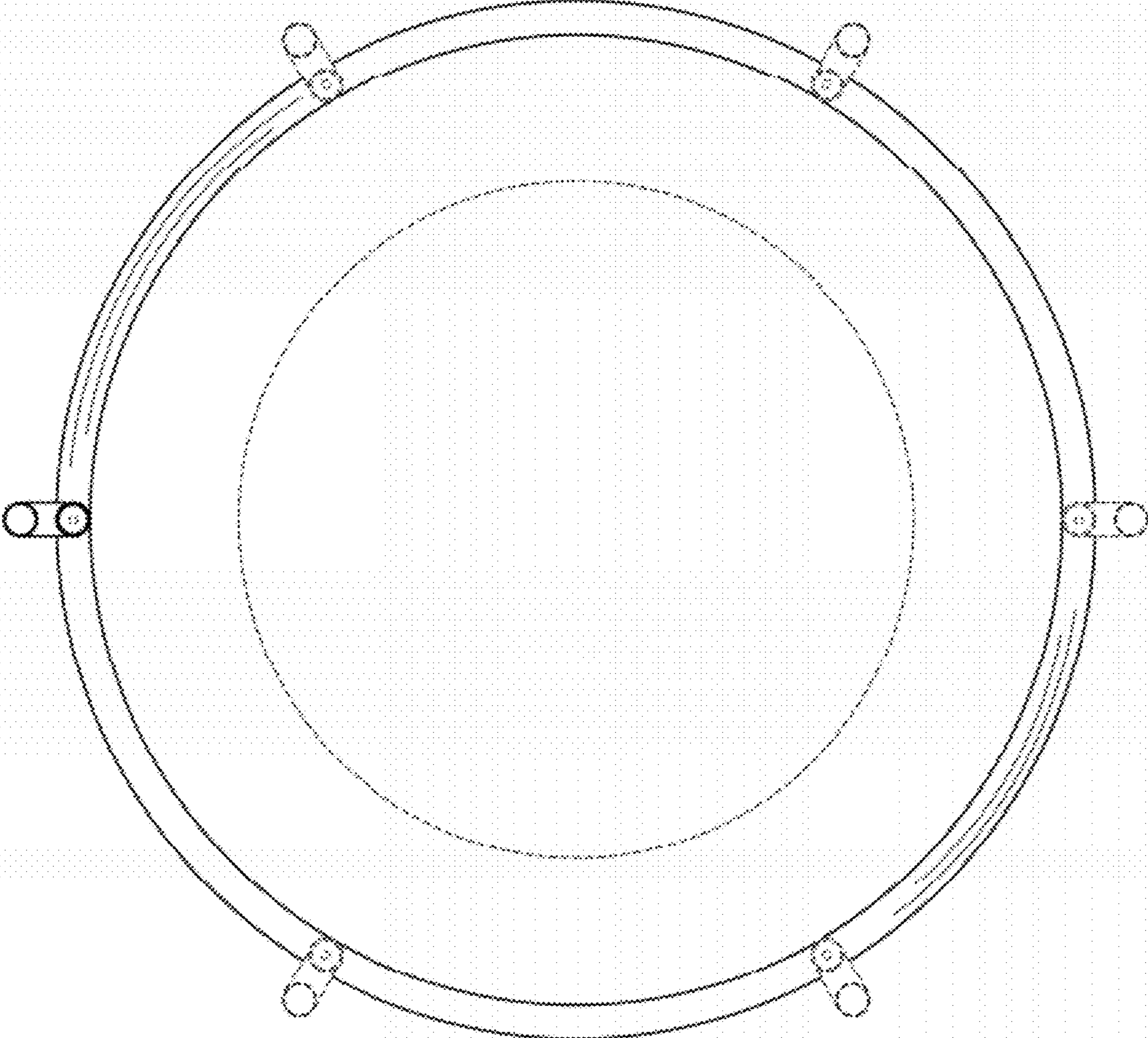


FIG. 10