



US00D666264S

(12) **United States Design Patent**
Ehlers et al.

(10) **Patent No.:** **US D666,264 S**

(45) **Date of Patent:** **** Aug. 28, 2012**

(54) **GOLF CLUB HOSEL**

(75) Inventors: **Steven M. Ehlers**, Poway, CA (US); **D. Clayton Evans**, San Marcos, CA (US)

(73) Assignee: **Callaway Golf Company**, Carlsbad, CA (US)

(**) Term: **14 Years**

(21) Appl. No.: **29/413,455**

(22) Filed: **Feb. 15, 2012**

Related U.S. Application Data

(62) Division of application No. 29/393,451, filed on Jun. 3, 2011.

(51) **LOC (9) Cl.** **21-02**

(52) **U.S. Cl.** **D21/759**

(58) **Field of Classification Search** D21/733,
D21/752, 753, 759, 789; 473/324–331, 343–346,
473/305–310

See application file for complete search history.

(56) **References Cited**

U.S. PATENT DOCUMENTS

5,324,033	A	*	6/1994	Fenton, Jr.	473/305
D393,678	S	*	4/1998	Jones et al.	D21/759
D434,822	S	*	12/2000	Jacobson et al.	D21/759
D461,864	S	*	8/2002	Blankenship	D21/759
D582,999	S	*	12/2008	Evans et al.	D21/759
D583,000	S	*	12/2008	Evans et al.	D21/759
D583,001	S	*	12/2008	Evans et al.	D21/759
D583,891	S	*	12/2008	DeMille et al.	D21/759
D587,770	S	*	3/2009	Evans et al.	D21/759
D588,219	S	*	3/2009	Evans et al.	D21/759
D589,577	S	*	3/2009	Evans et al.	D21/759
D590,466	S	*	4/2009	Hall et al.	D21/759
D590,467	S	*	4/2009	Cackett et al.	D21/759
D590,468	S	*	4/2009	Evans et al.	D21/759

D590,904	S	*	4/2009	Evans et al.	D21/759
D590,905	S	*	4/2009	Demille et al.	D21/759
D591,375	S	*	4/2009	Evans et al.	D21/759
D591,376	S	*	4/2009	Evans et al.	D21/759
D591,377	S	*	4/2009	Evans et al.	D21/759
D591,378	S	*	4/2009	Hocknell et al.	D21/759
D635,211	S	*	3/2011	Evans	D21/759
D635,628	S	*	4/2011	Evans	D21/759
D637,675	S	*	5/2011	Evans	D21/759

* cited by examiner

Primary Examiner — Mitchell Siegel

(74) *Attorney, Agent, or Firm* — Rebecca Hanovice; Michael A. Catania; Sonia Lari

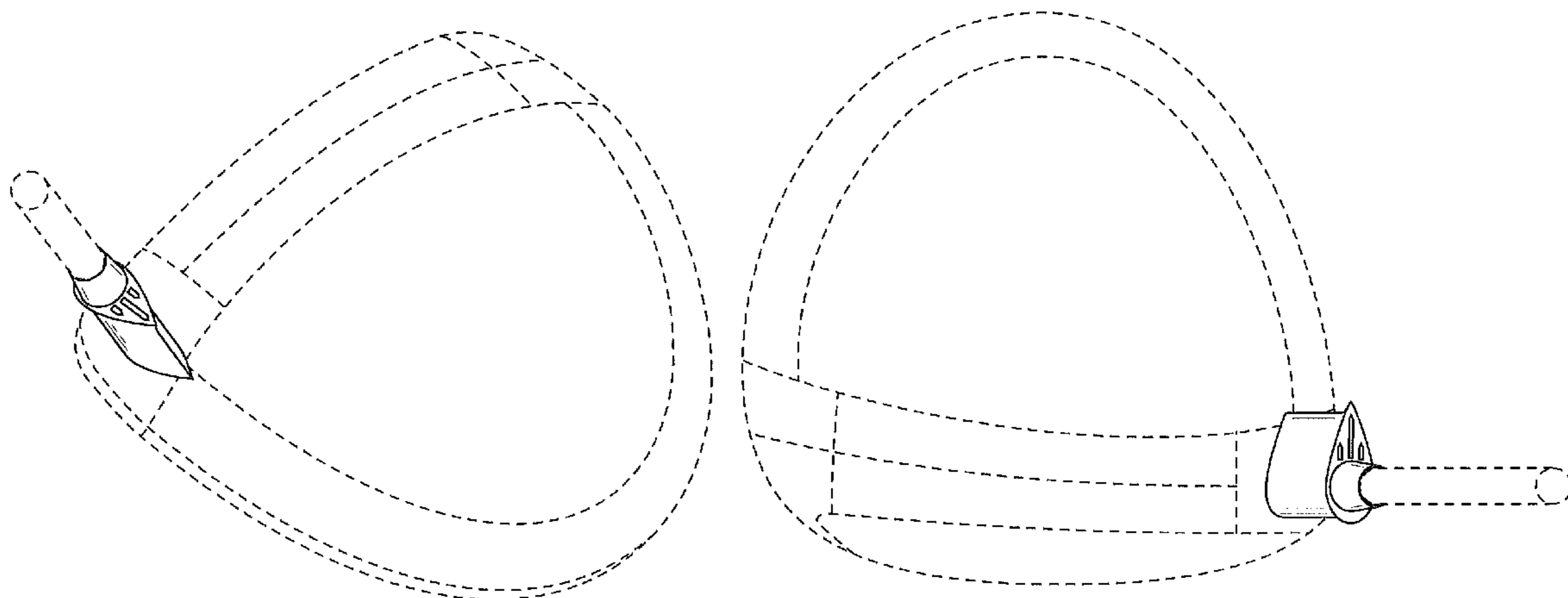
(57) **CLAIM**

The ornamental design for a golf club hosel, as shown and described.

DESCRIPTION

FIG. 1 is a top perspective view of a first embodiment of a golf club hosel as claimed herein;
 FIG. 2 is a rear elevational view thereof;
 FIG. 3 is a front elevational view thereof;
 FIG. 4 is a top plan view thereof;
 FIG. 5 is a bottom plan view thereof;
 FIG. 6 is toe elevational view thereof;
 FIG. 7 is a heel elevational view thereof;
 FIG. 8 is a top perspective view of a second embodiment of a golf club hosel as claimed herein;
 FIG. 9 is a rear elevational view thereof;
 FIG. 10 is a front elevational view thereof;
 FIG. 11 is a top plan view thereof;
 FIG. 12 is a bottom plan view thereof;
 FIG. 13 is a toe elevational view thereof; and,
 FIG. 14 is a heel elevational view thereof.
 The broken lines showing is included for the purpose of illustration and forms no part of the claimed design.

1 Claim, 7 Drawing Sheets



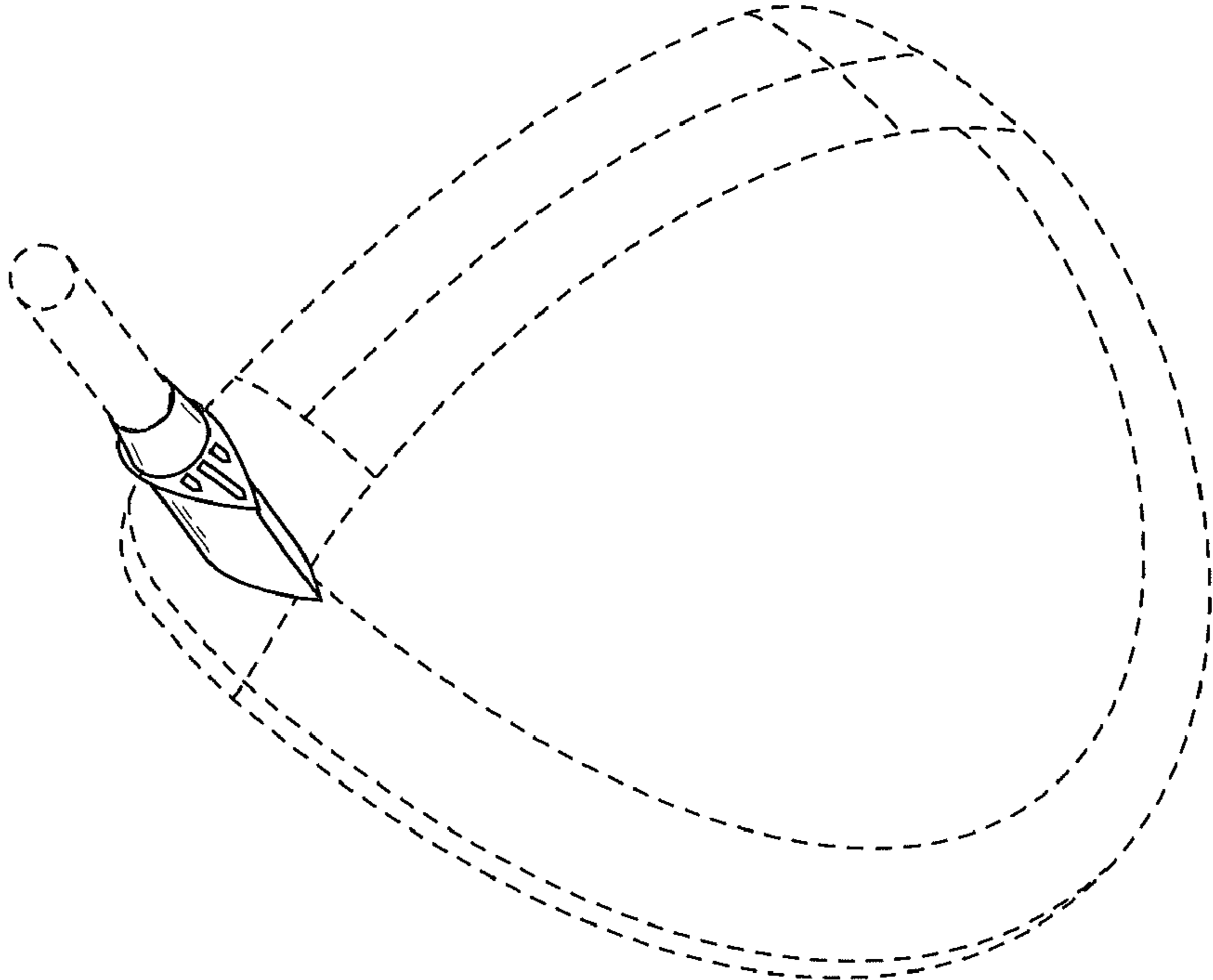


FIG. 1

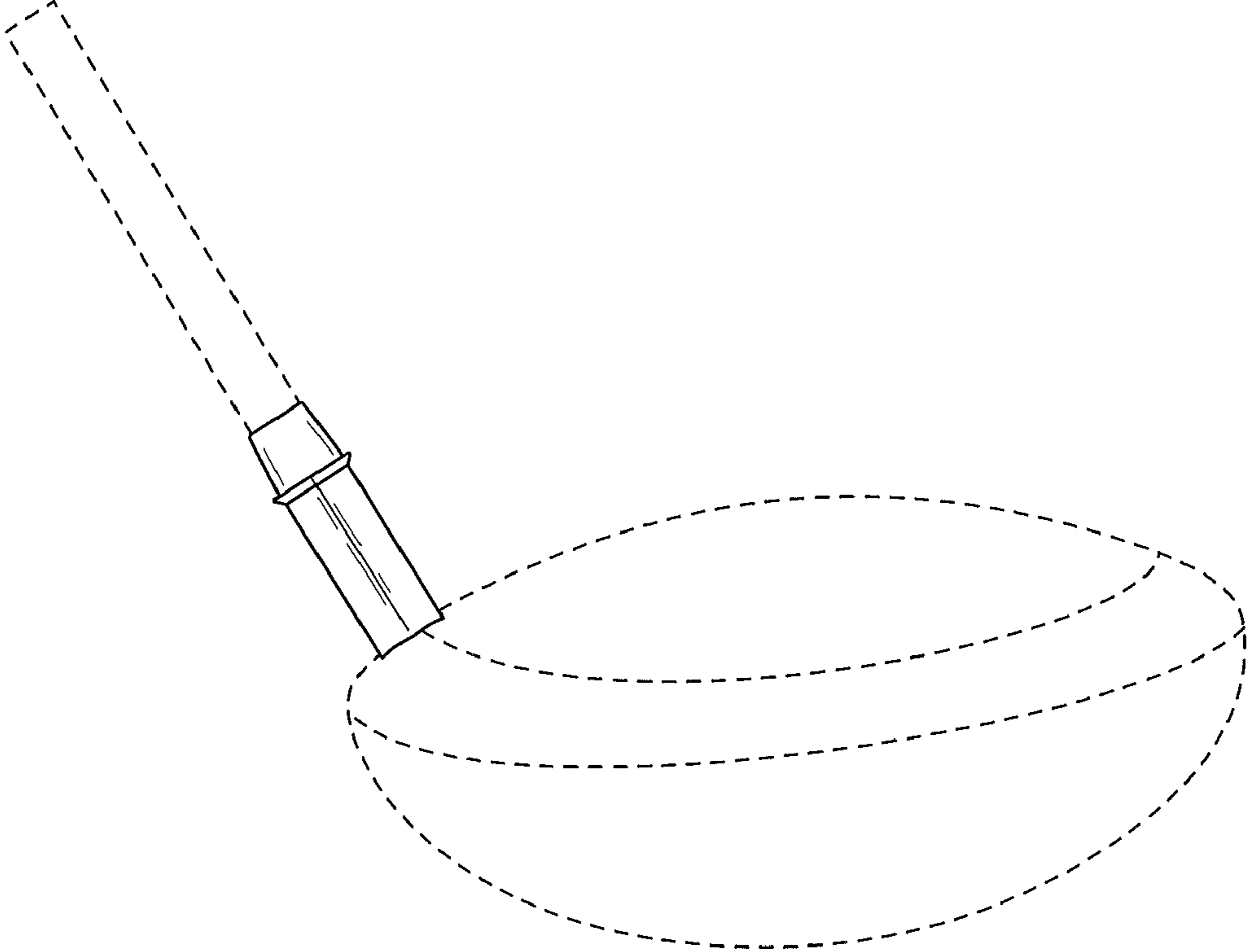


FIG. 2

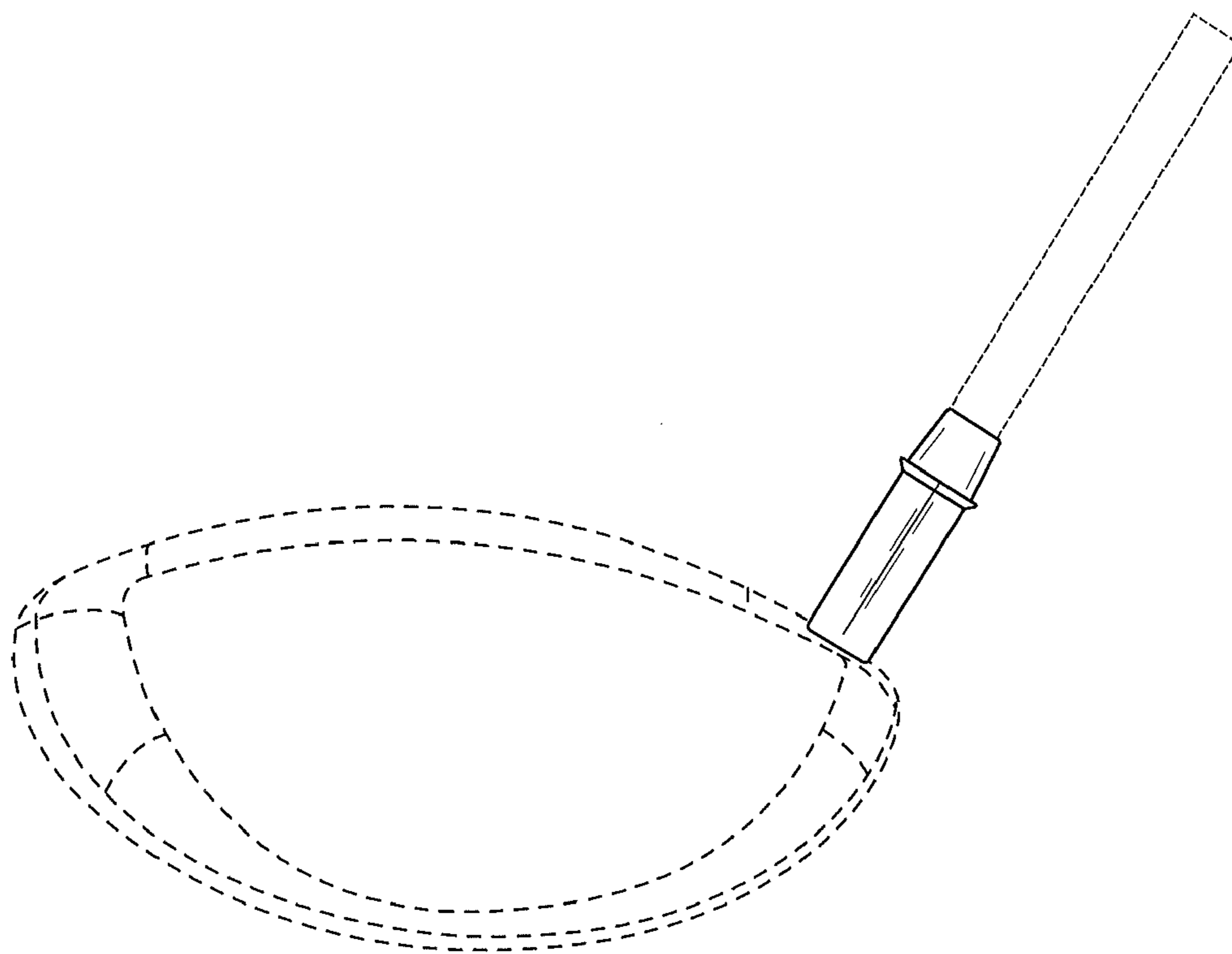


FIG. 3

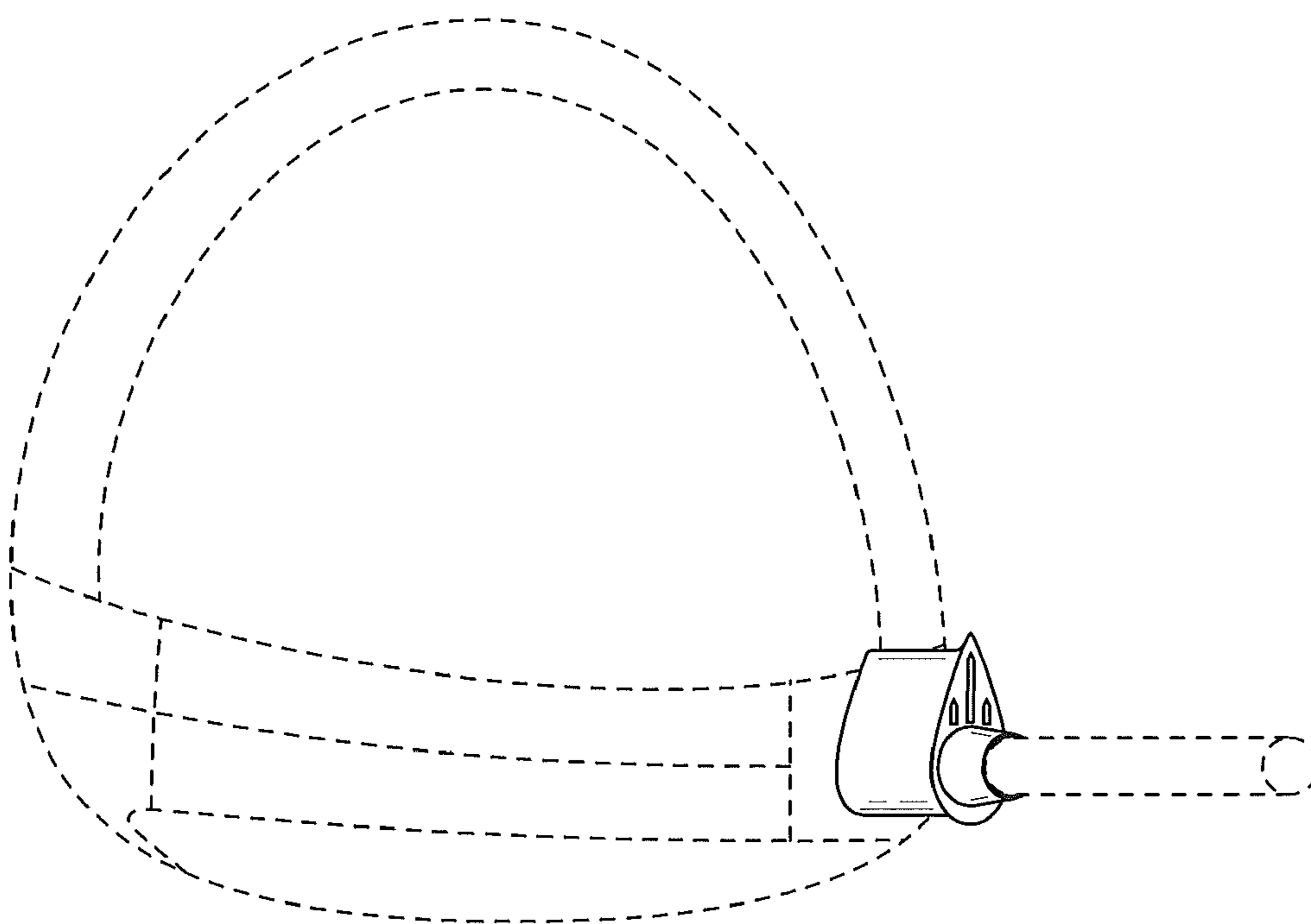


FIG. 4

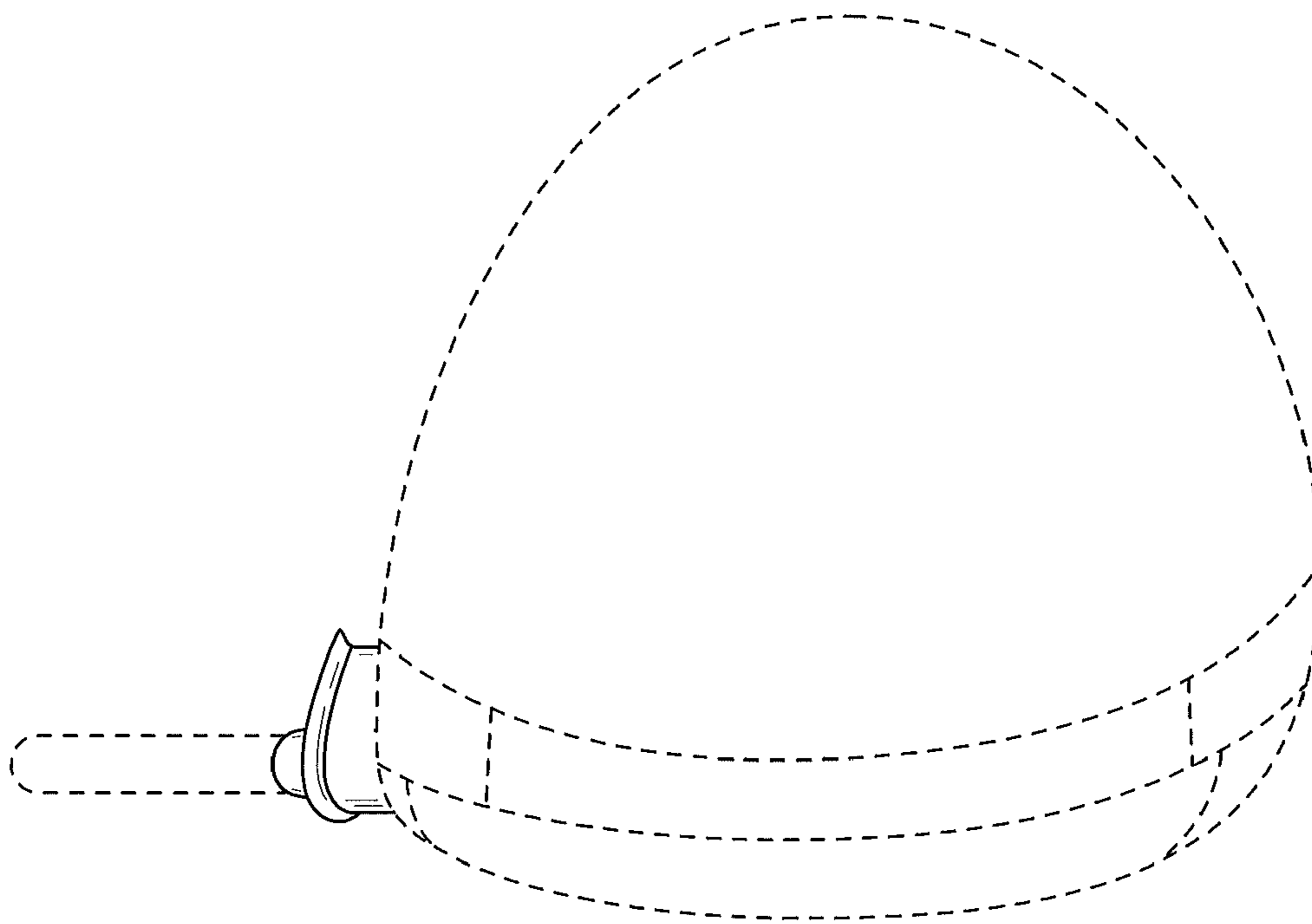


FIG. 5

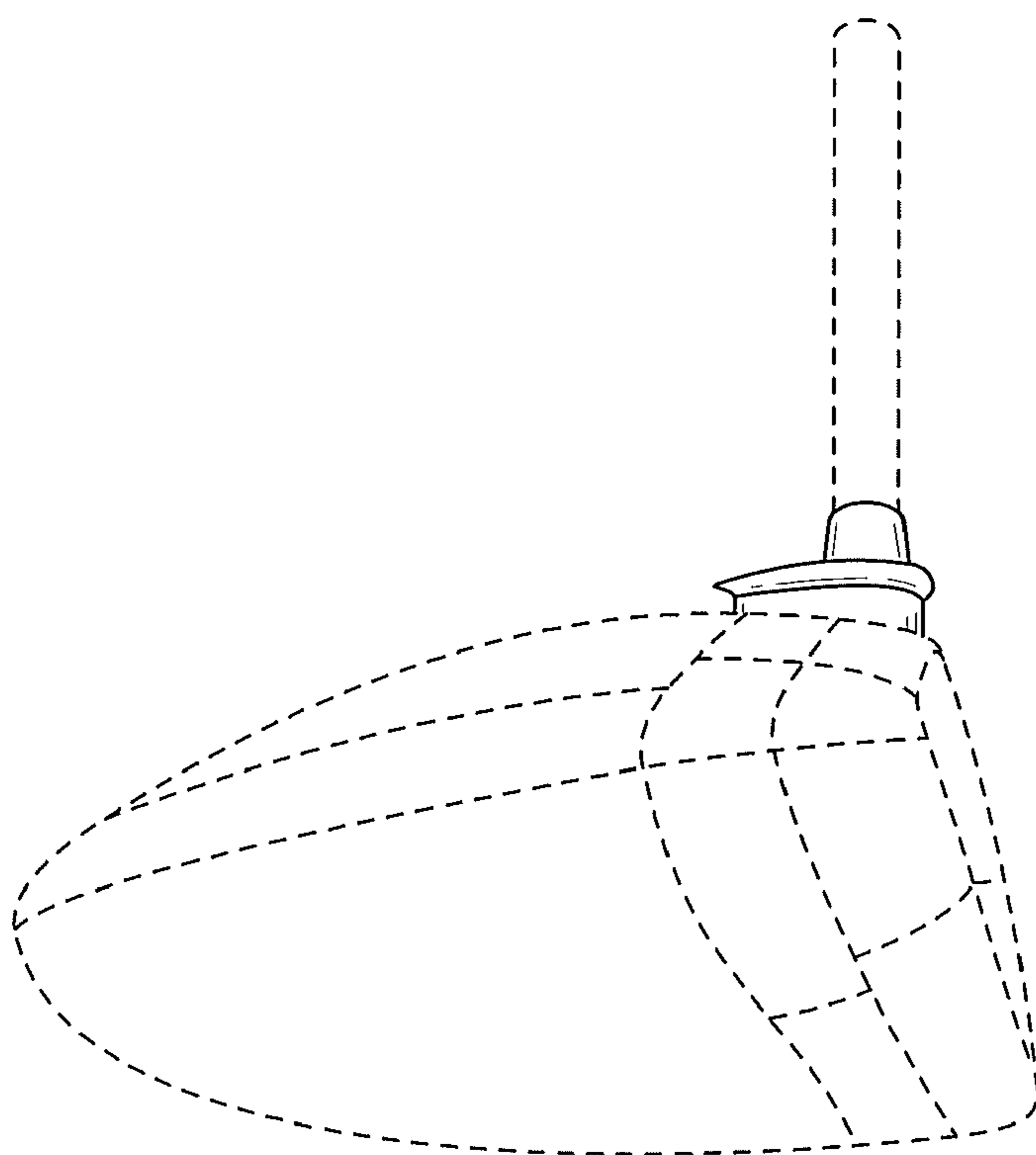


FIG. 6

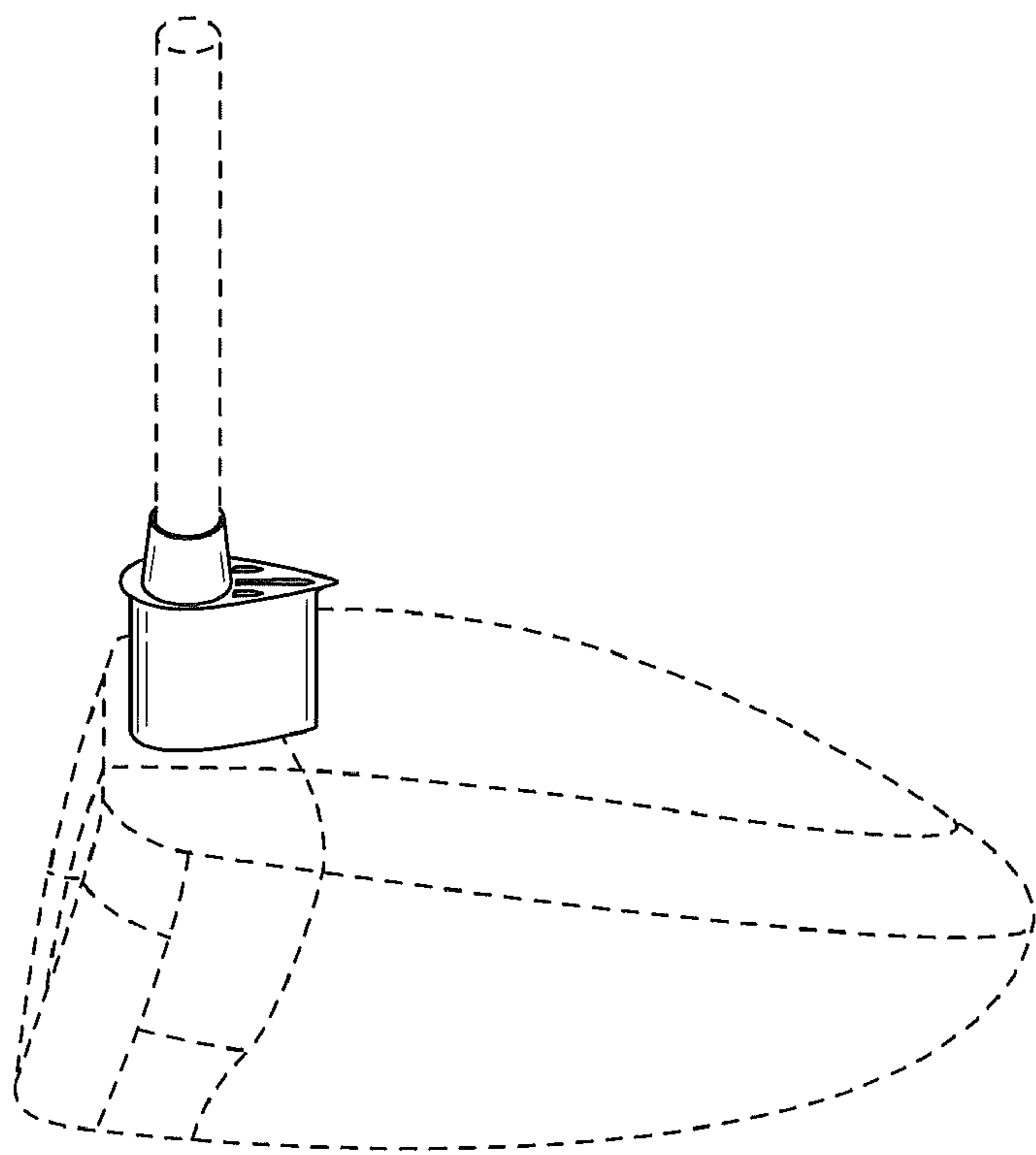


FIG. 7

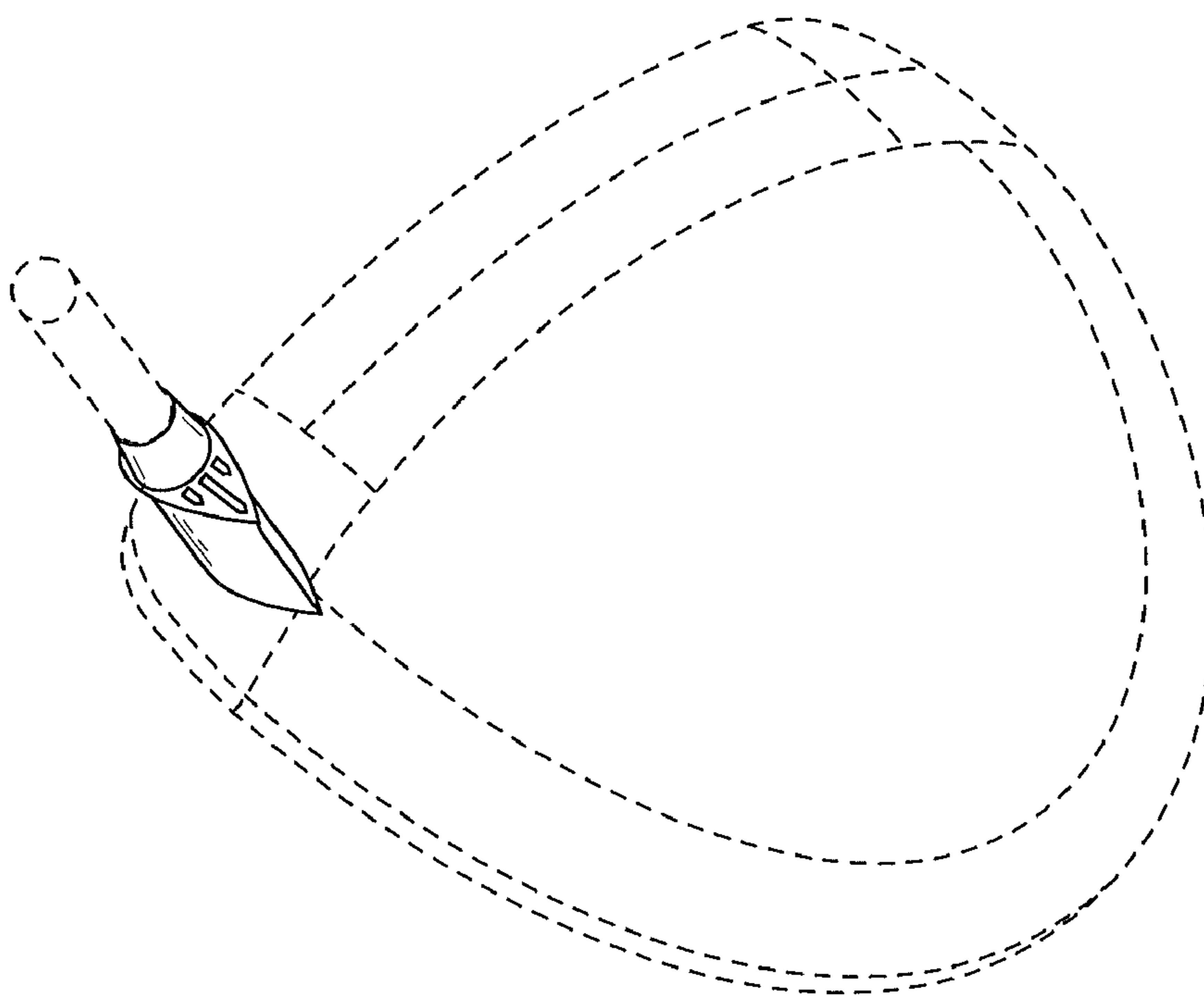


FIG. 8

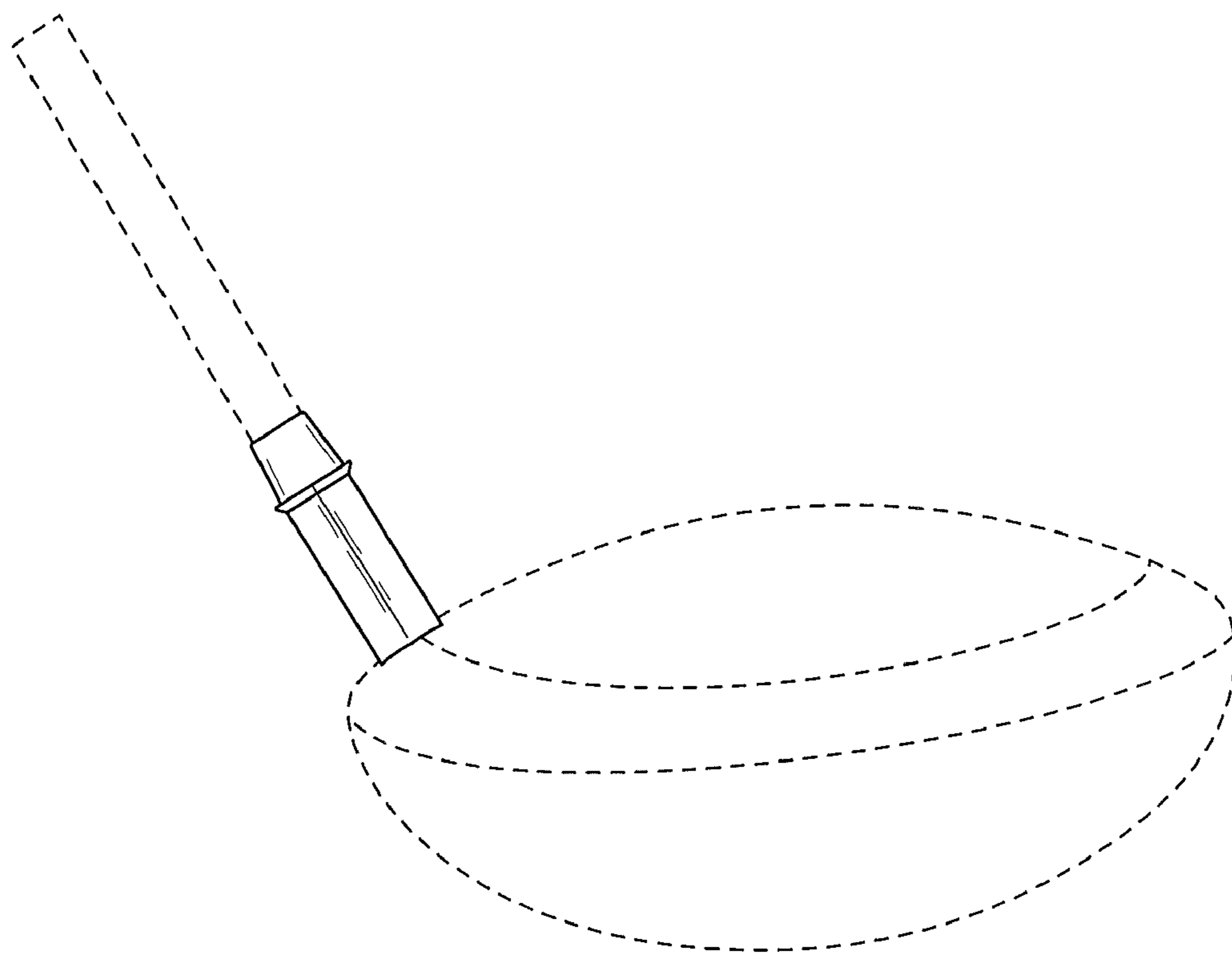


FIG. 9

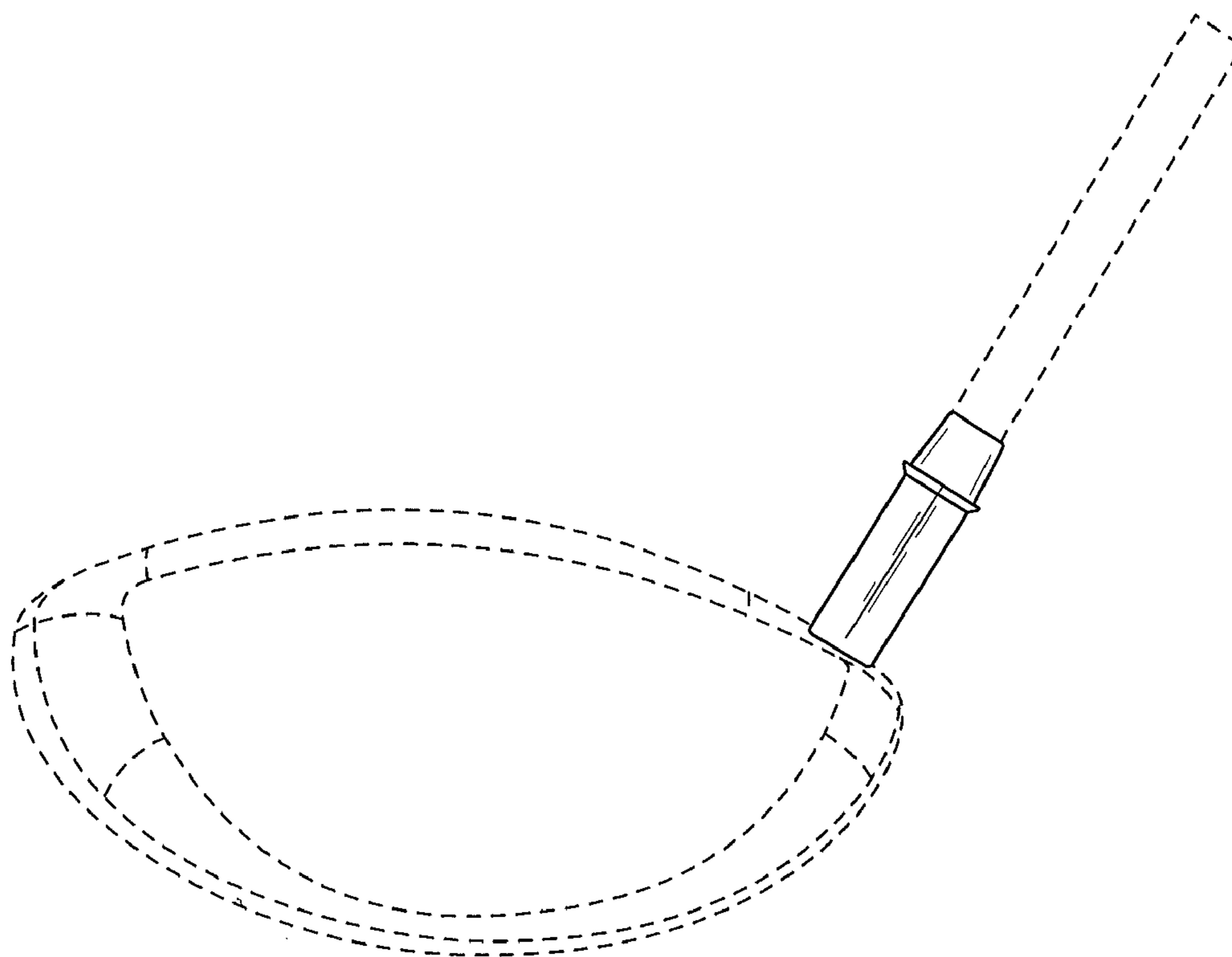


FIG. 10

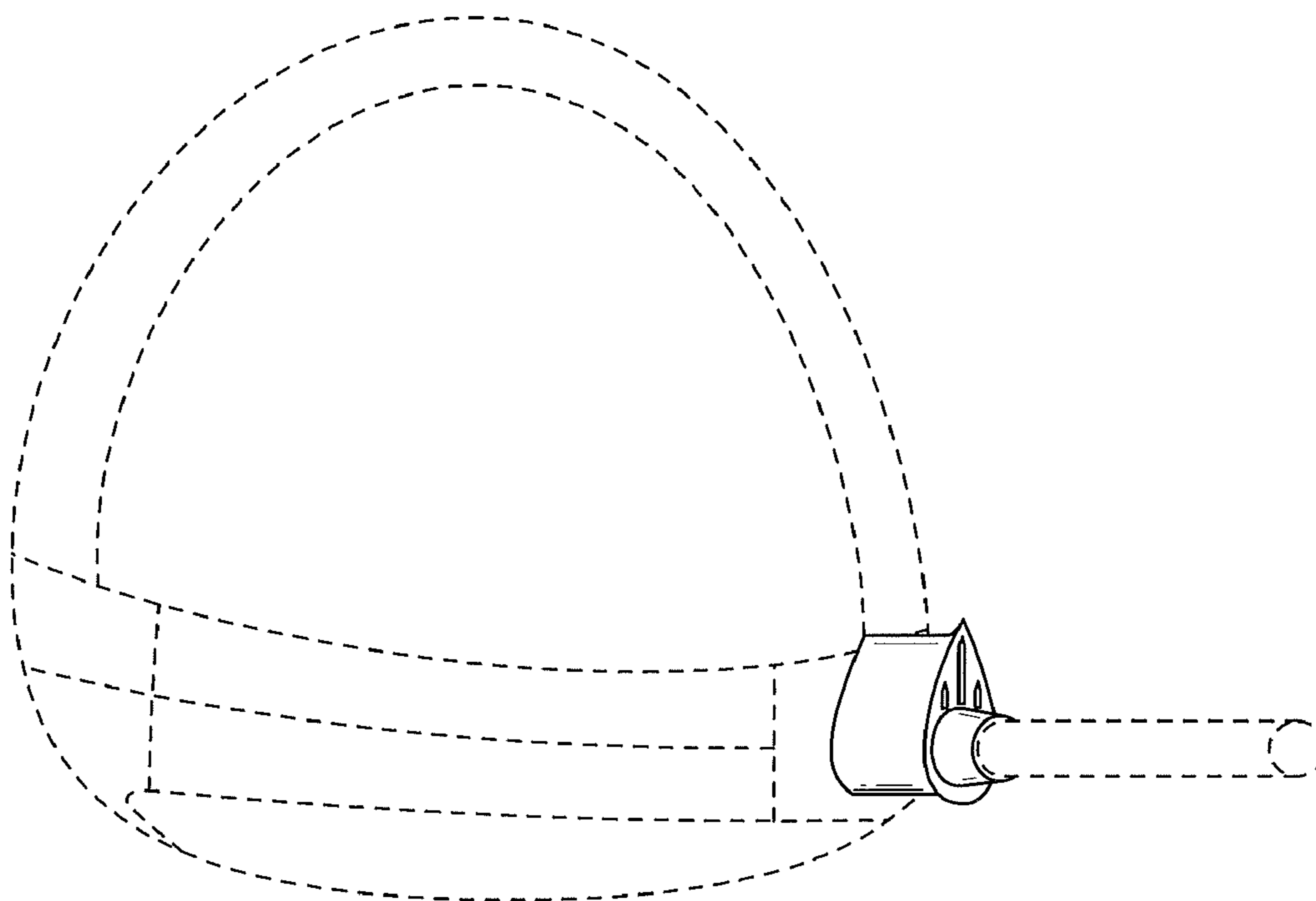


FIG. 11

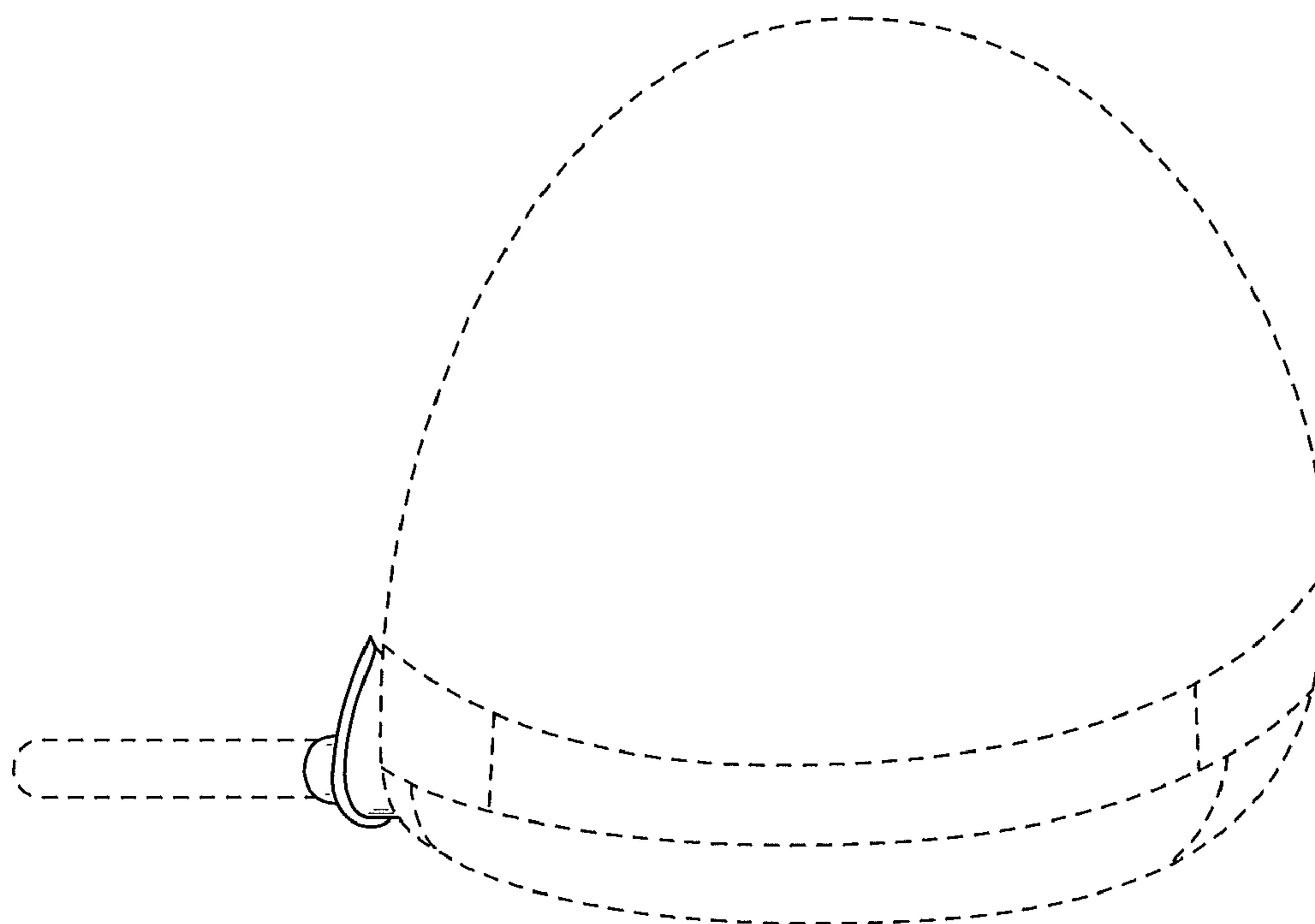


FIG. 12

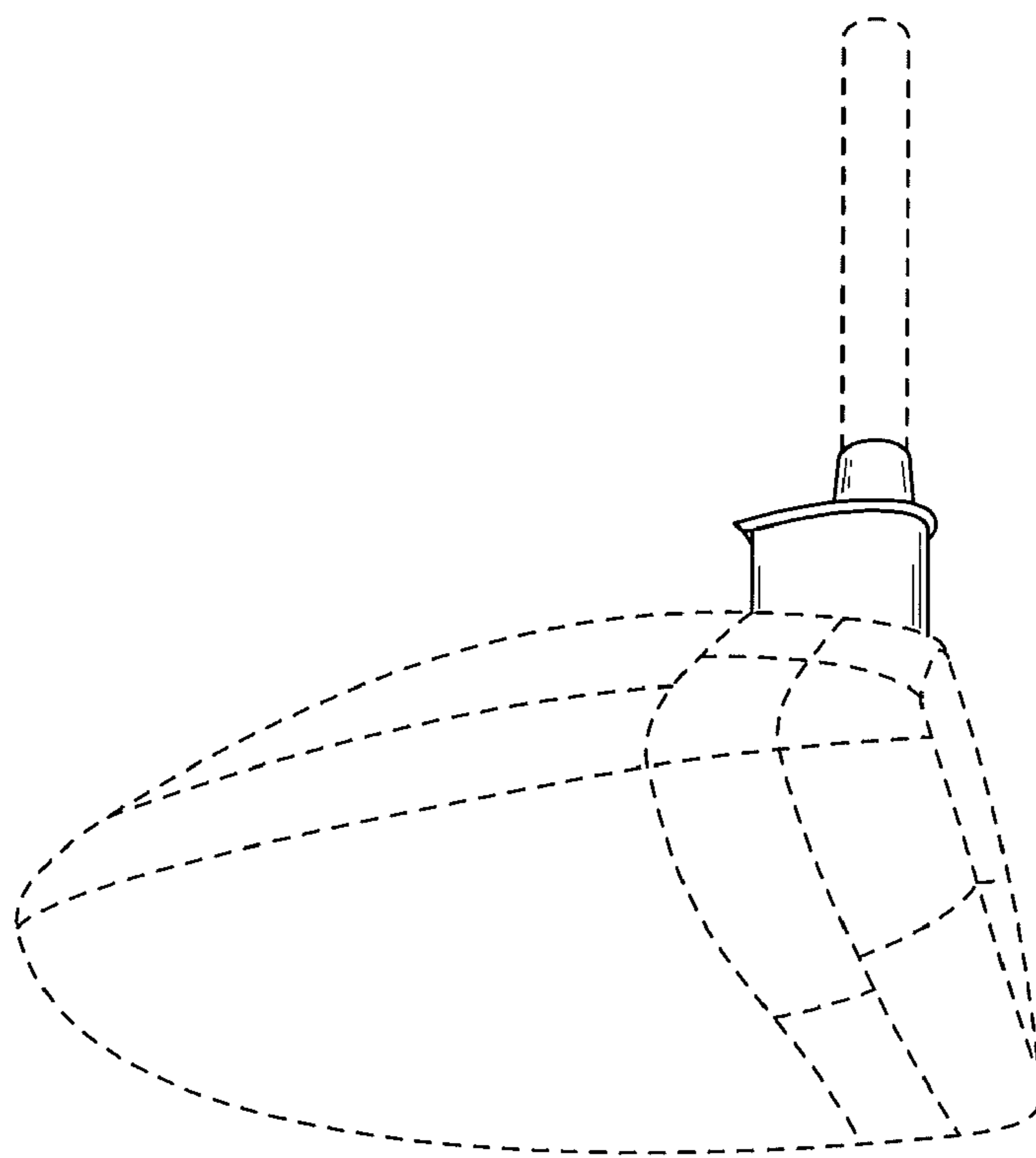


FIG. 13

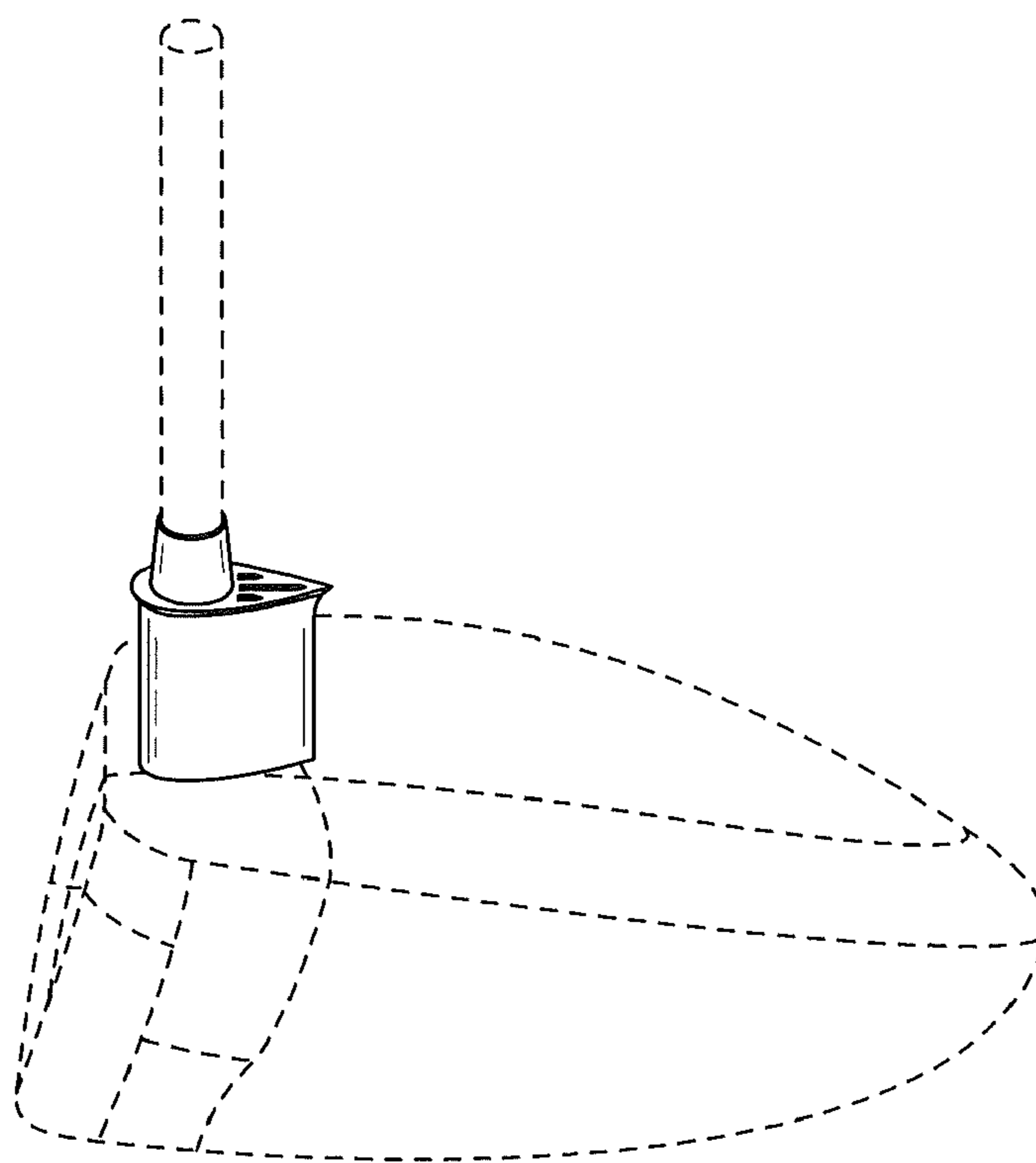


FIG. 14