

US00D666262S

(12) **United States Design Patent**  
**Clausen et al.**

(10) **Patent No.:** **US D666,262 S**

(45) **Date of Patent:** **\*\* Aug. 28, 2012**

(54) **GOLF CLUB HEAD**

(75) Inventors: **Karl A. Clausen**, Carlsbad, CA (US);  
**Oswaldo Gonzalez**, San Jacinto, CA  
(US); **Steven M. Mitzel**, Carlsbad, CA  
(US); **Austin B. Oliveiro**, San Marcos,  
CA (US); **Thomas W. Preece**, San  
Diego, CA (US); **Douglas E. Roberts**,  
Carlsbad, CA (US)

(73) Assignee: **Cobra Golf Incorporated**, Carlsbad,  
CA (US)

(\*\*) Term: **14 Years**

(21) Appl. No.: **29/398,453**

(22) Filed: **Jul. 29, 2011**

(51) **LOC (9) Cl.** ..... **21-02**

(52) **U.S. Cl.** ..... **D21/752**

(58) **Field of Classification Search** ..... D21/733,  
D21/752, 759; 473/324-331, 343-346  
See application file for complete search history.

(56) **References Cited**

U.S. PATENT DOCUMENTS

D367,094 S *	2/1996	Williams, Jr. ....	D21/752
D572,791 S *	7/2008	Jertson et al. ....	D21/759
D588,217 S *	3/2009	Jertson et al. ....	D21/752
D588,659 S *	3/2009	Jertson et al. ....	D21/752
D594,520 S *	6/2009	Schweigert et al. ....	D21/759

\* cited by examiner

*Primary Examiner* — Mitchell Siegel

(74) *Attorney, Agent, or Firm* — Mark S. Leonardo; Brown  
Rudnick LLP

(57) **CLAIM**

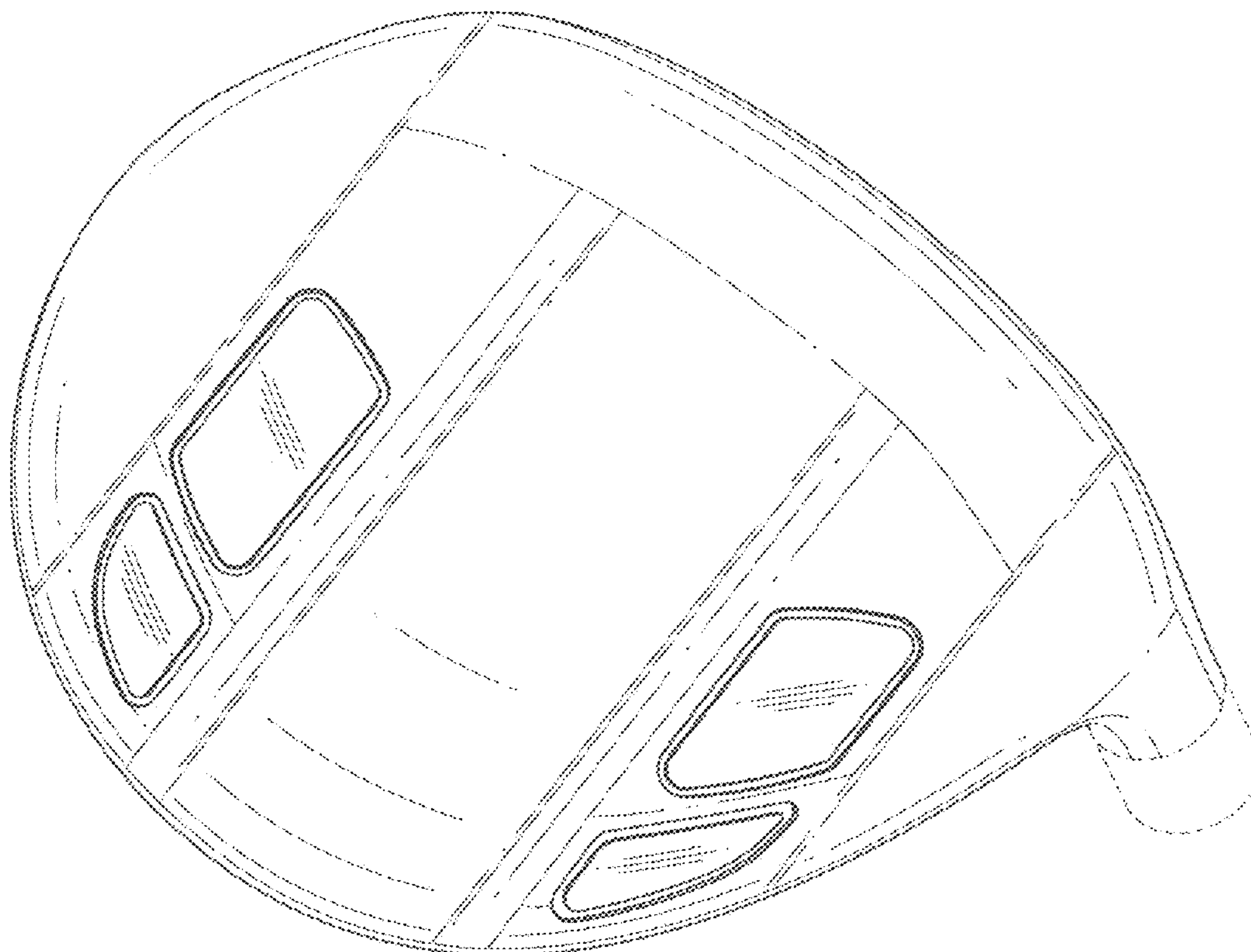
The ornamental design for a golf club head, as shown and  
described.

**DESCRIPTION**

FIG. 1 is a bottom, heel side perspective view of a golf club  
head embodying our new design;  
FIG. 2 is a bottom side view thereof;  
FIG. 3 is a top side view thereof;  
FIG. 4 is a heel side view thereof;  
FIG. 5 is a toe side view thereof;  
FIG. 6 is a back side view thereof;  
FIG. 7 is a front side view thereof;  
FIG. 8 is a bottom, heel side perspective view of a golf club  
head embodying our new design;  
FIG. 9 is a bottom side view thereof;  
FIG. 10 is a top side view thereof;  
FIG. 11 is a heel side view thereof;  
FIG. 12 is a toe side view thereof;  
FIG. 13 is a back side view thereof; and,  
FIG. 14 is a front side view thereof.

All features illustrated in phantom line are expressly dis-  
claimed and form no of the claimed design.

**1 Claim, 10 Drawing Sheets**



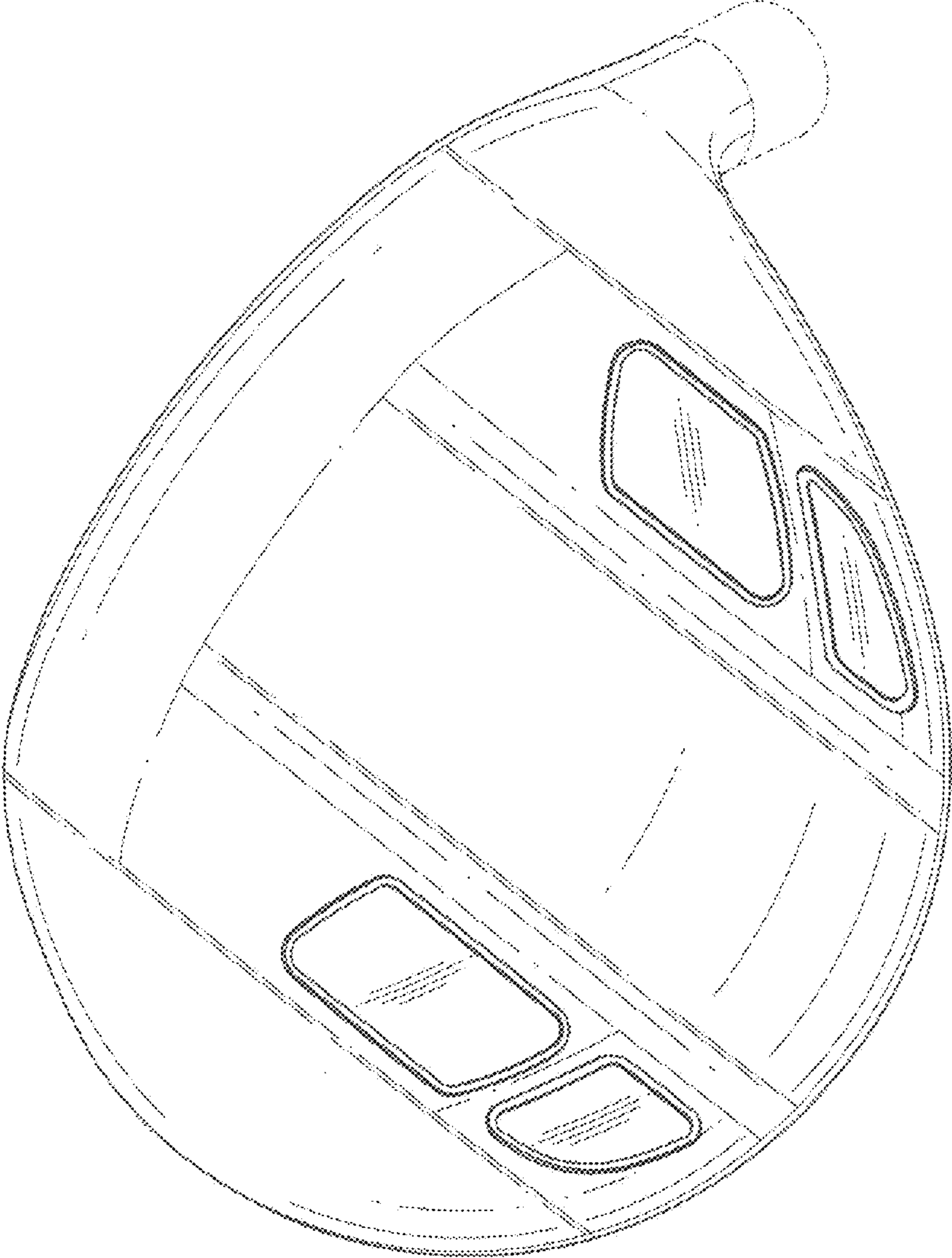


FIG. 1

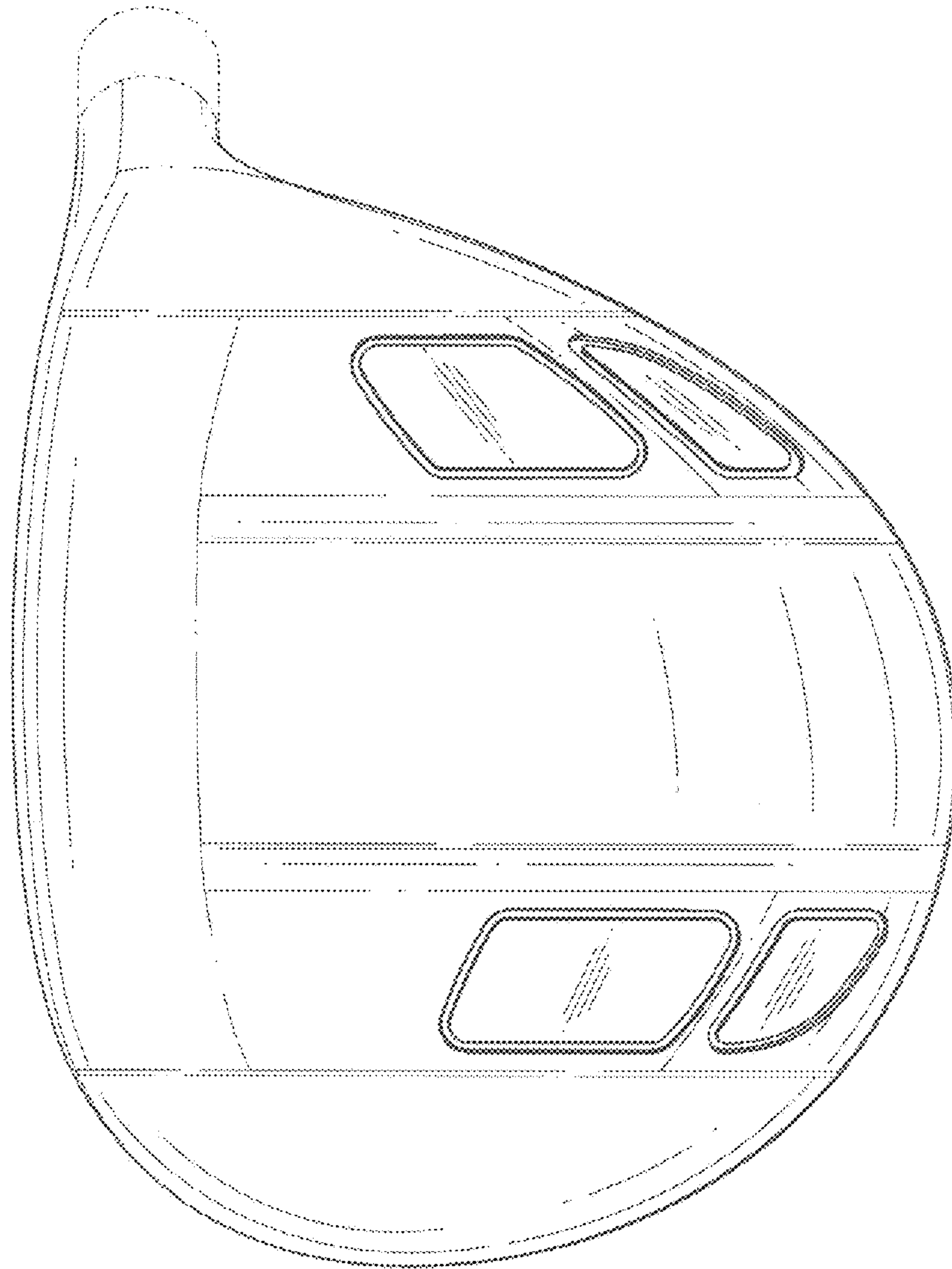


FIG. 2

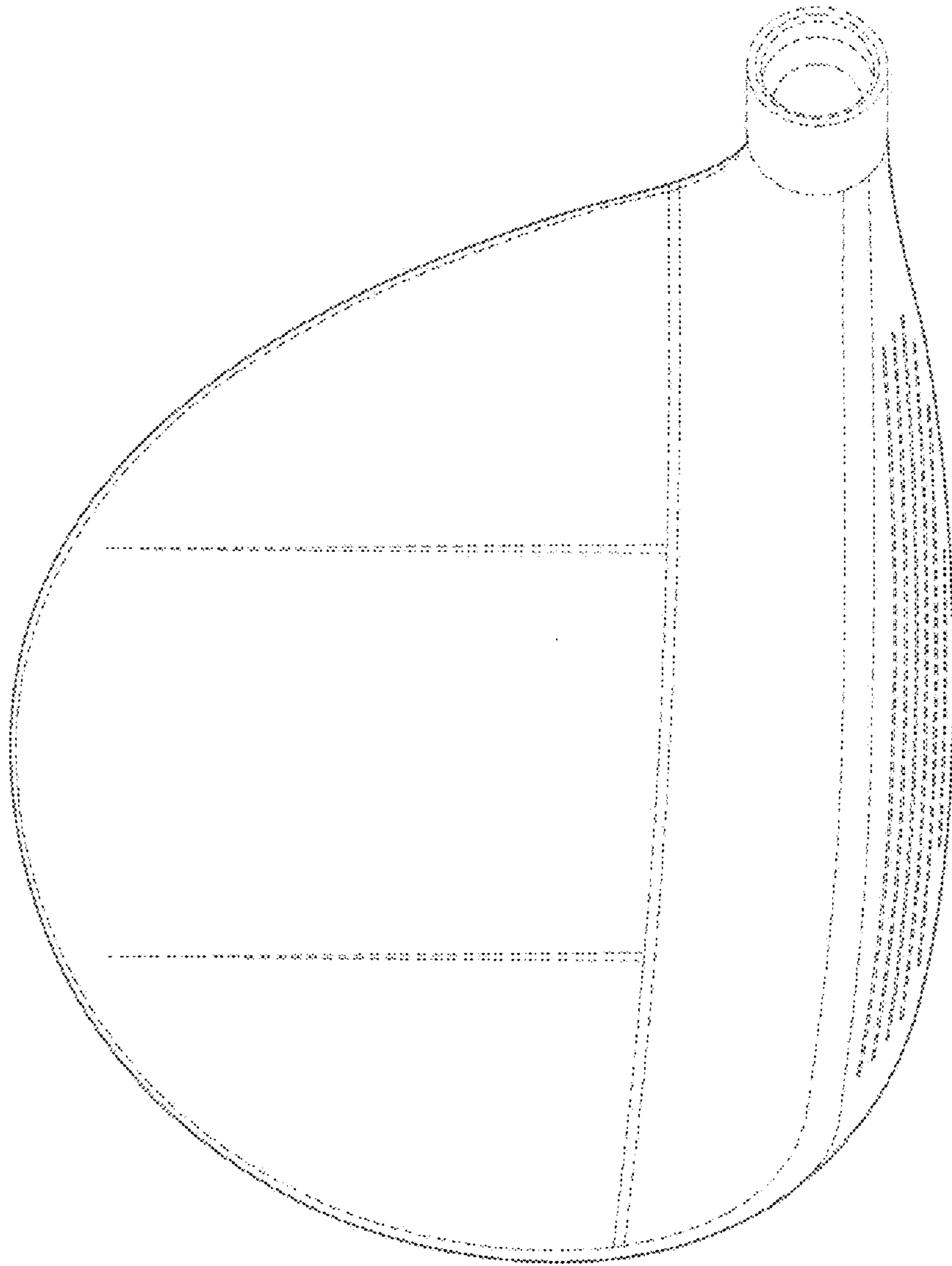


FIG. 3



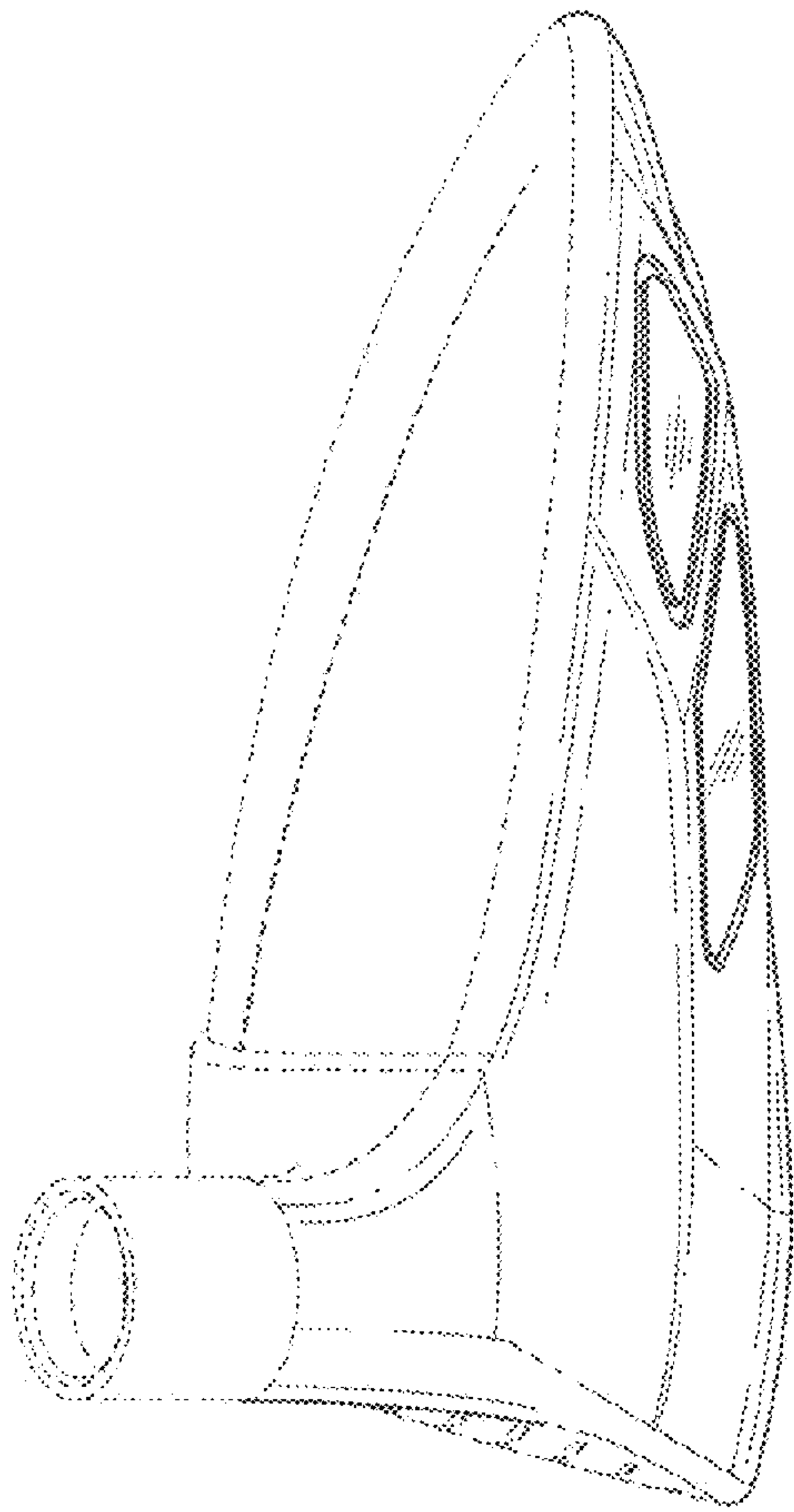


FIG. 4

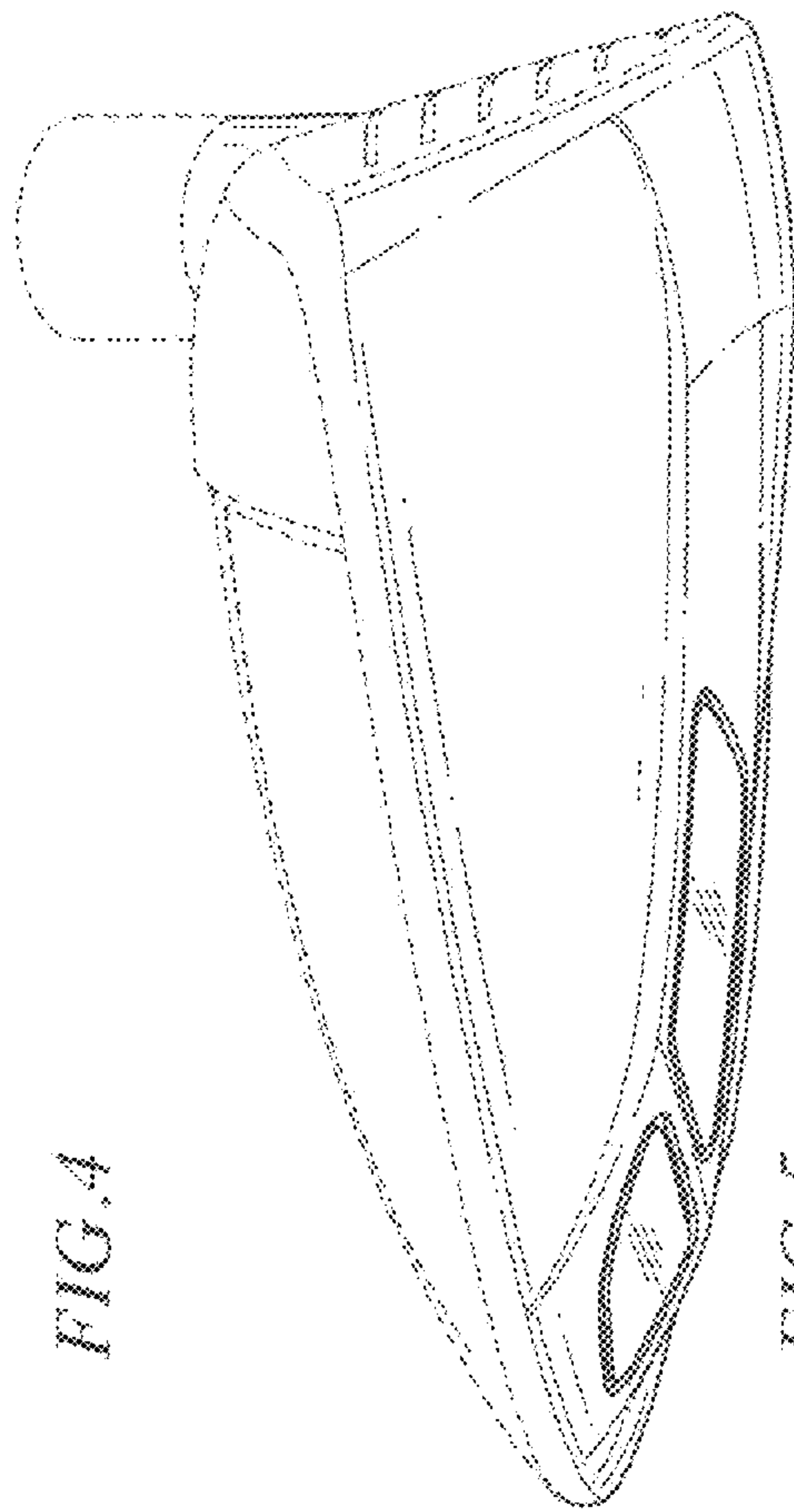
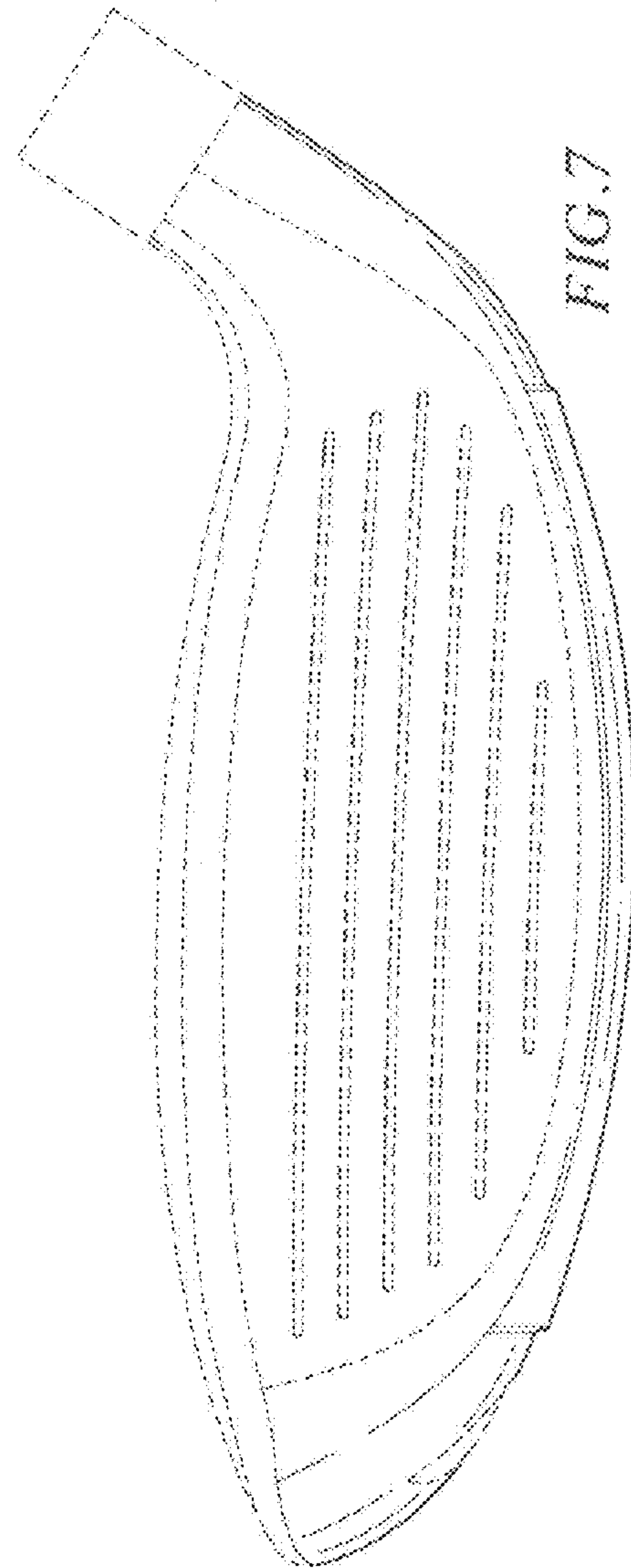
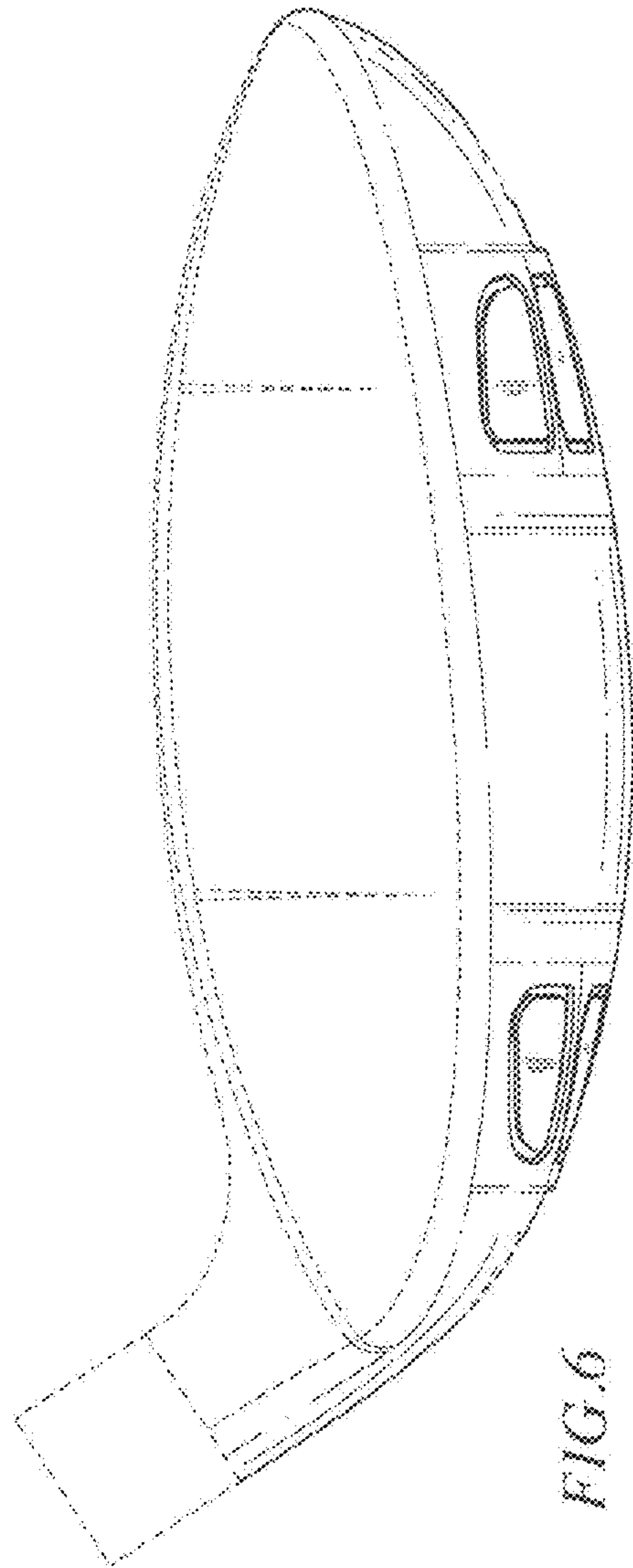


FIG. 5



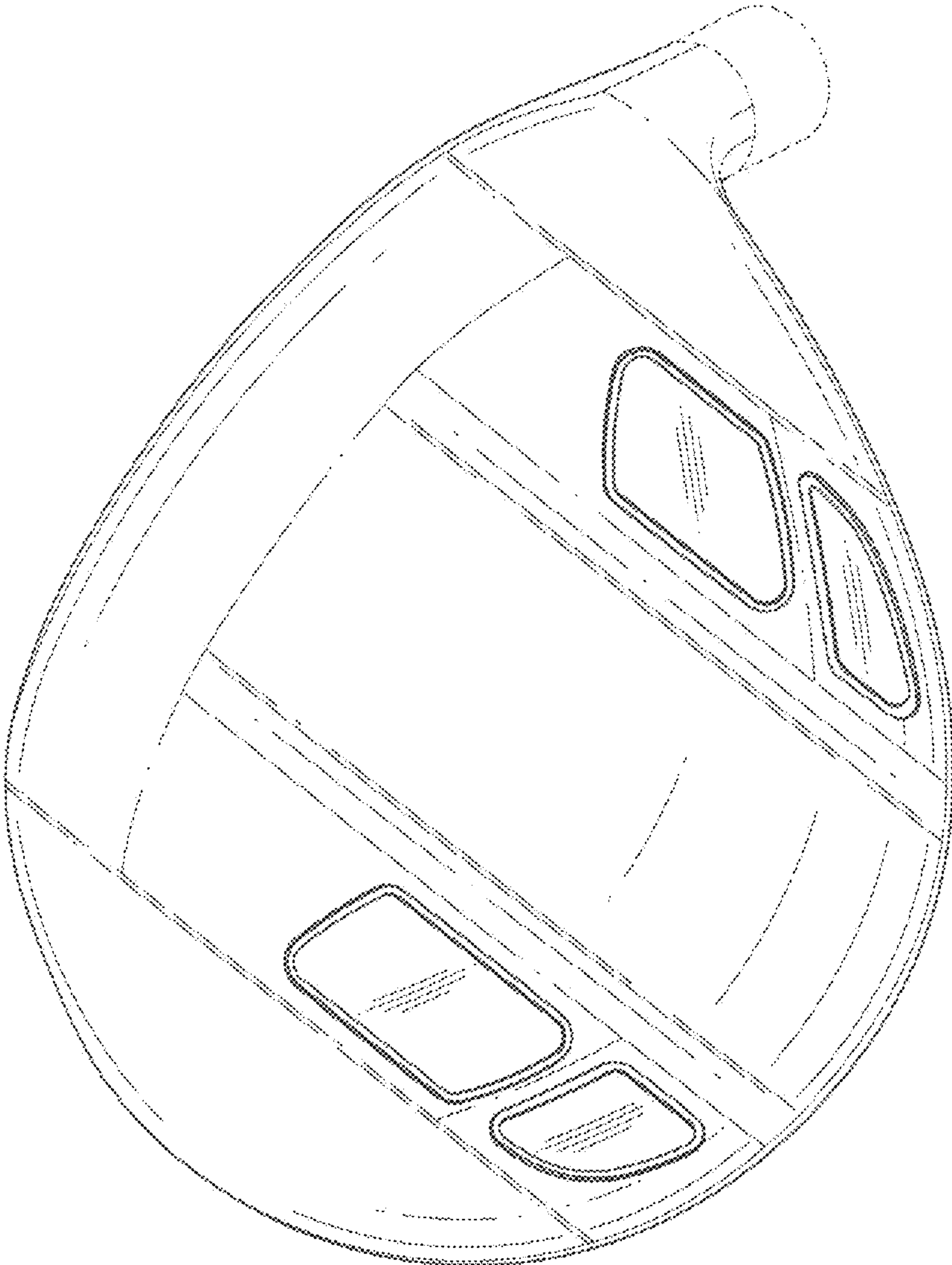


FIG.8

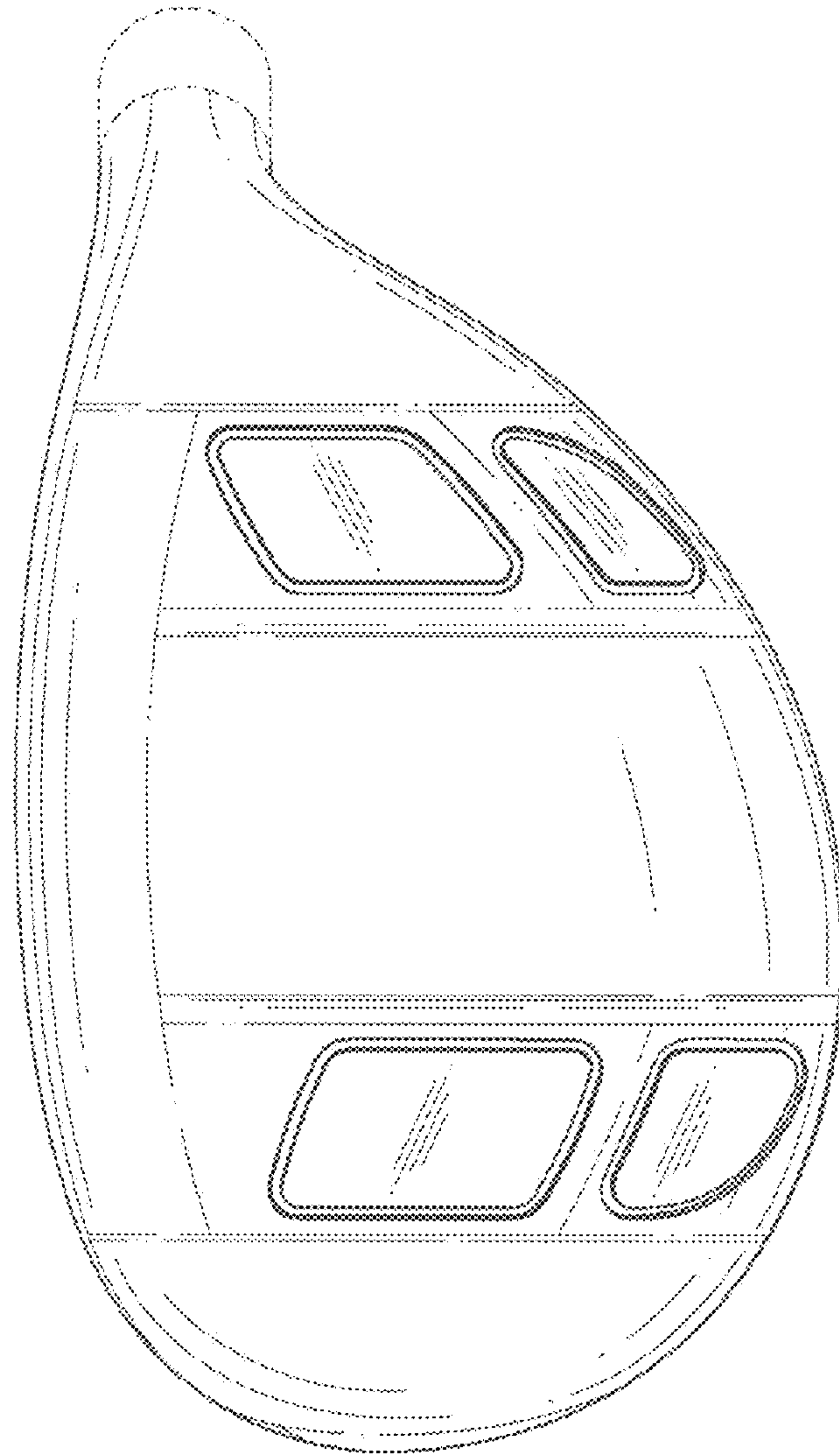


FIG. 9



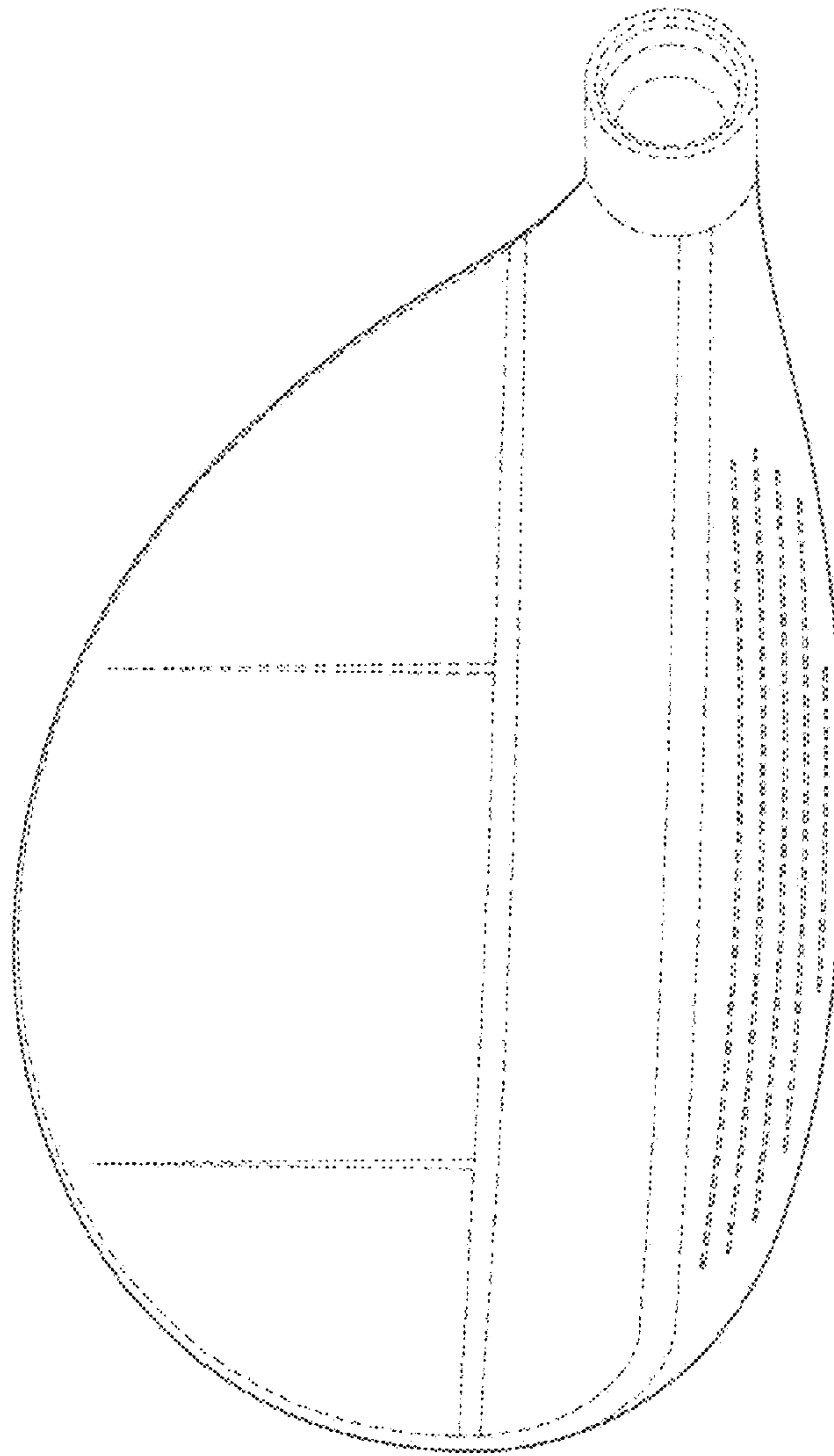


FIG.10

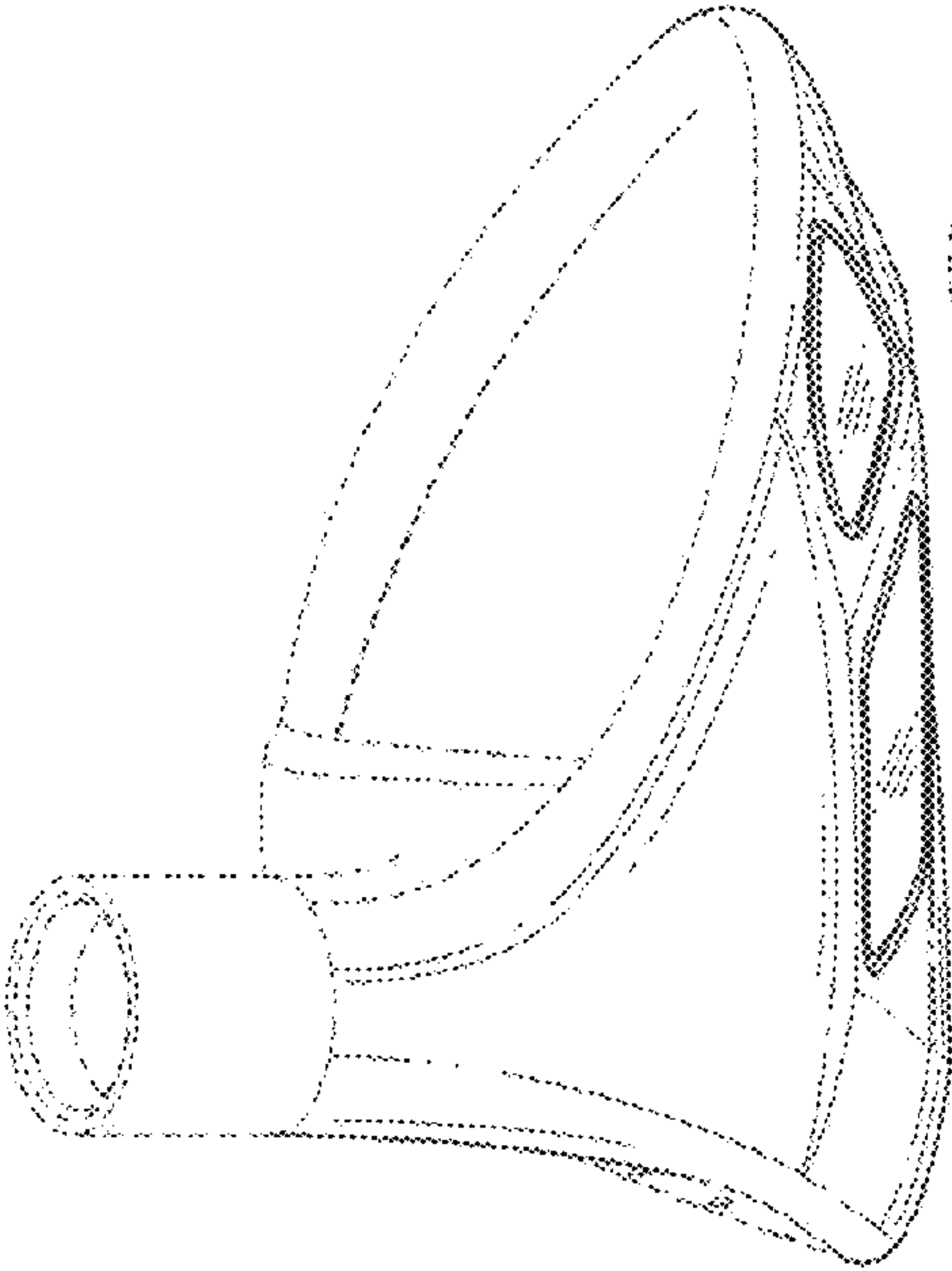


FIG. 11

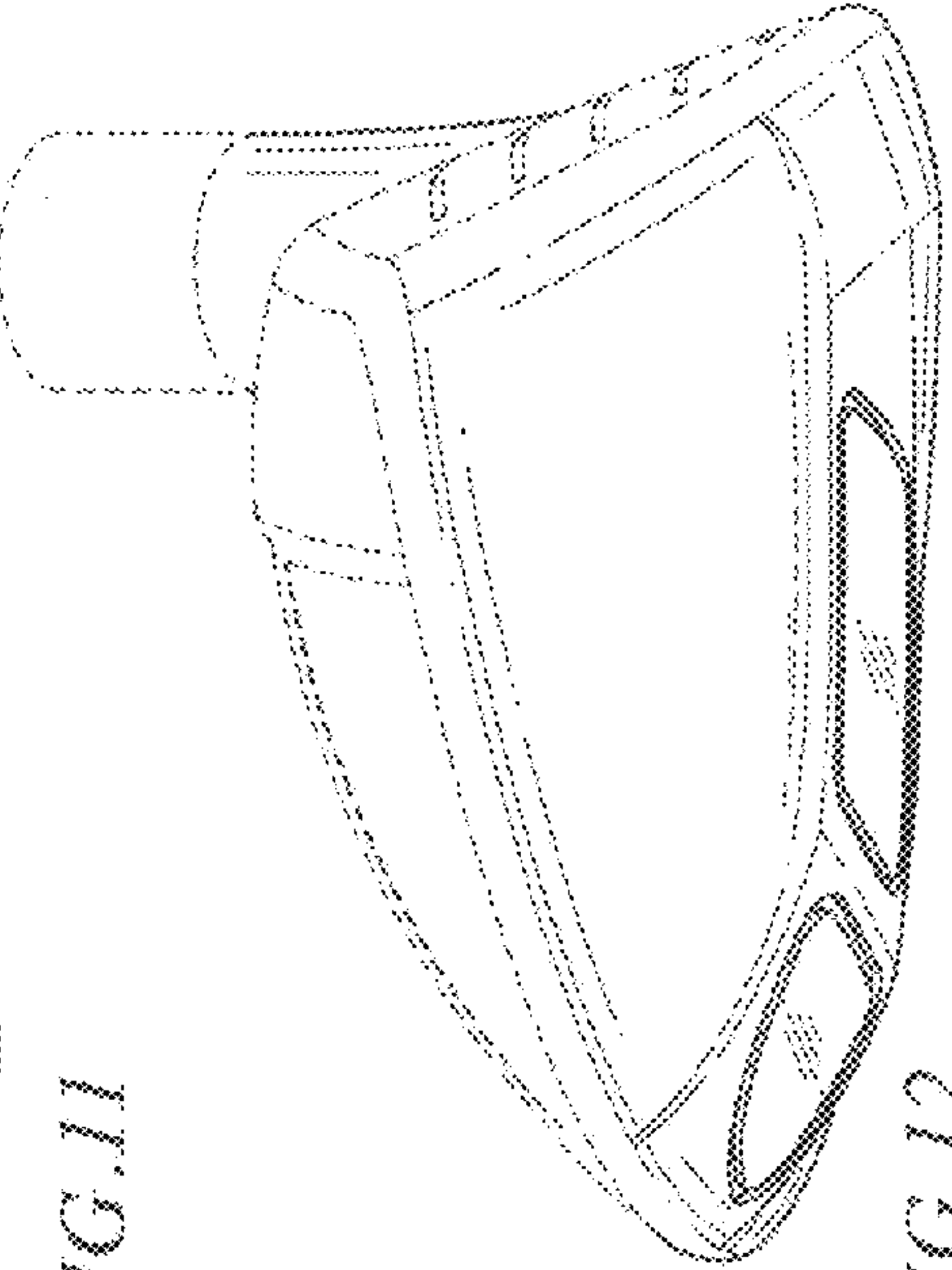


FIG. 12

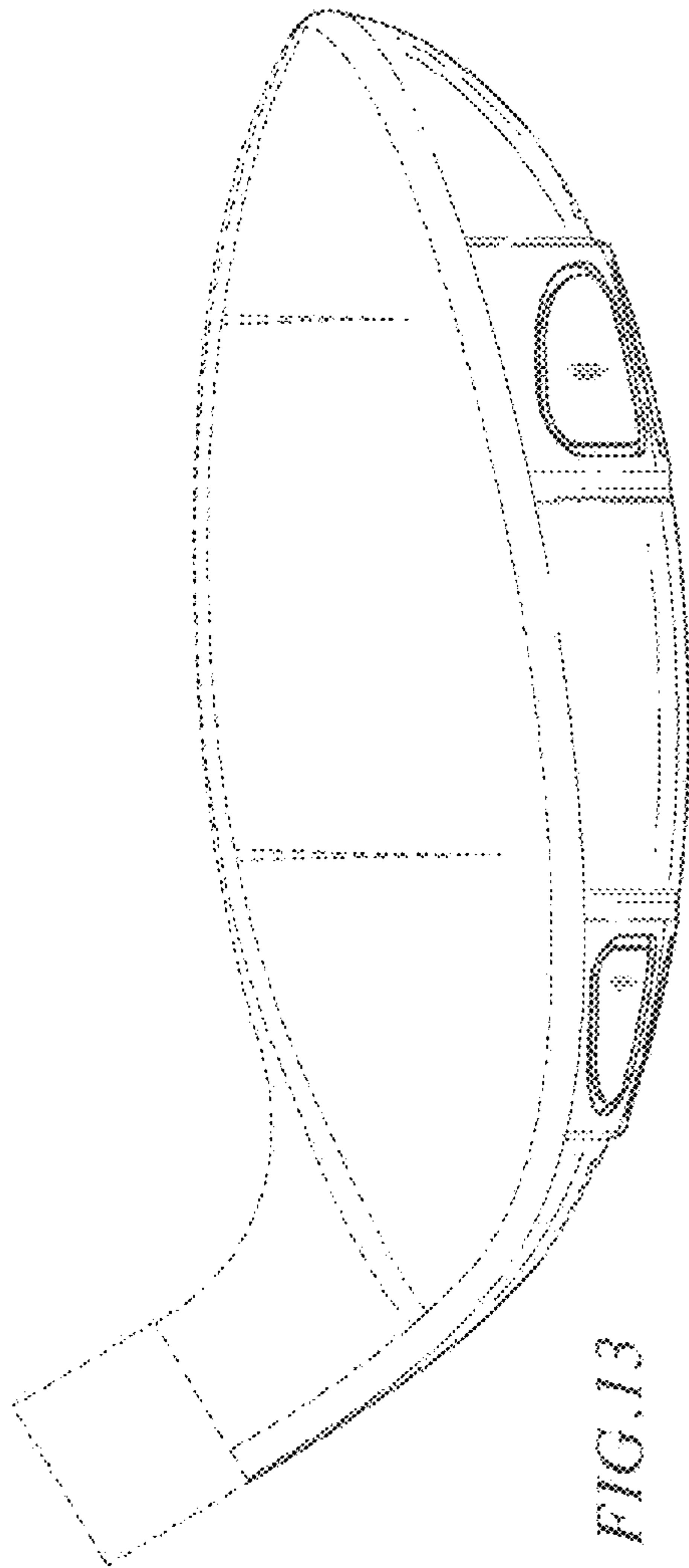


FIG. 13

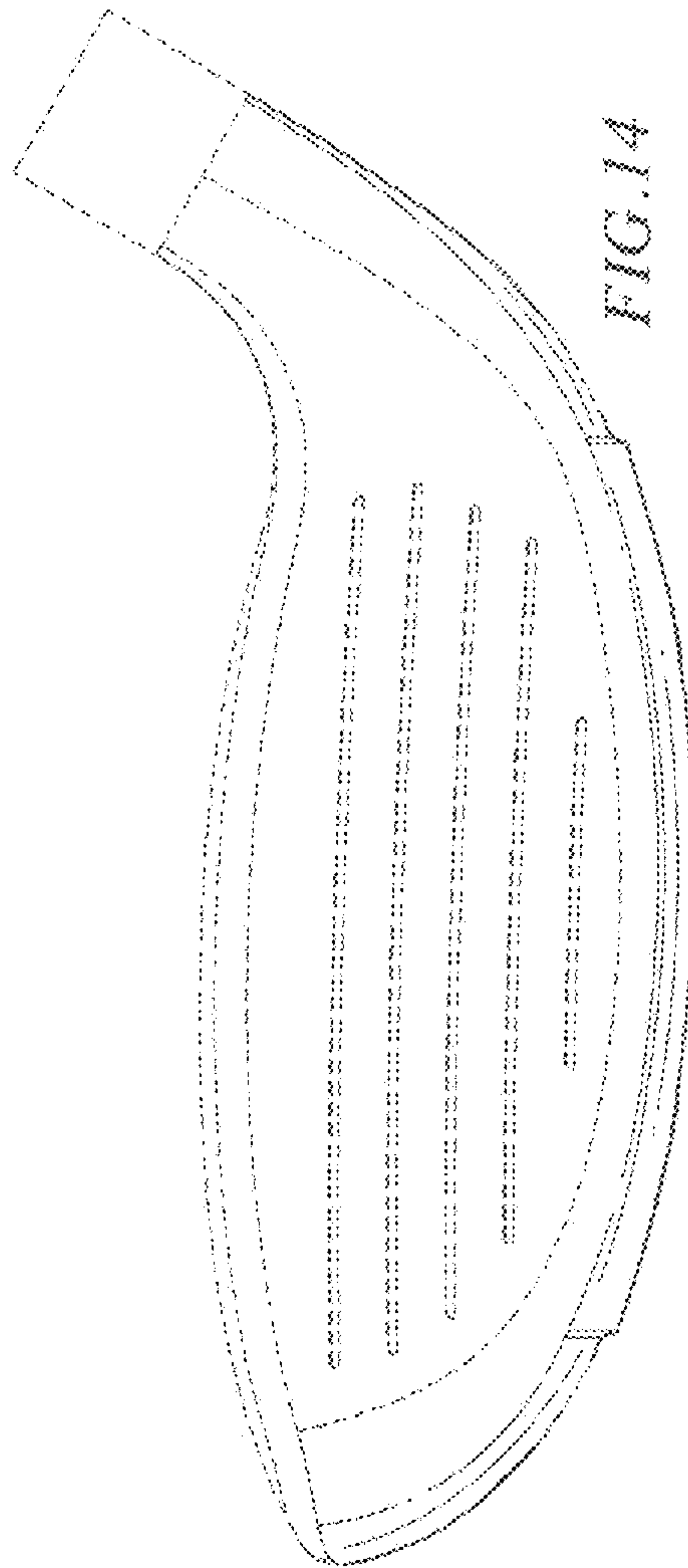


FIG. 14