



US00D666259S

(12) **United States Design Patent**
Garcia

(10) **Patent No.:** **US D666,259 S**

(45) **Date of Patent:** **** Aug. 28, 2012**

(54) **EXERCISE DEVICE**

(76) Inventor: **Andre Garcia**, Lutz, FL (US)

(**) Term: **14 Years**

(21) Appl. No.: **29/409,402**

(22) Filed: **Dec. 22, 2011**

(51) **LOC (9) Cl.** **21-02**

(52) **U.S. Cl.** **D21/686**

(58) **Field of Classification Search** D21/662,
D21/676, 686, 690, 691, 694; 482/4, 8, 36,
482/38-40, 41, 53, 57, 91, 94, 97, 104, 140,
482/142, 143, 145

See application file for complete search history.

(56) **References Cited**

U.S. PATENT DOCUMENTS

2,932,510	A *	4/1960	Kravitz	482/38
D191,690	S *	10/1961	Ryan	D21/690
3,637,204	A *	1/1972	Dawson	482/8
D285,328	S *	8/1986	Cardiff, Sr.	D21/690
D291,338	S *	8/1987	Ringel et al.	D21/691
D320,823	S *	10/1991	Tanner	D21/686
5,156,580	A *	10/1992	Holland et al.	482/39
5,306,220	A	4/1994	Kearney		
D352,752	S	11/1994	Yang		
D366,916	S	2/1996	Clem		
D368,288	S *	3/1996	Kasbohm	D21/686
D381,715	S *	7/1997	Reeder	D21/691
5,803,880	A *	9/1998	Allen	482/113
5,989,166	A *	11/1999	Capizzo et al.	482/104
D425,950	S *	5/2000	Ceppo	D21/686
D427,652	S	7/2000	Webber		
D441,813	S	5/2001	Ceppo		

D462,730	S	9/2002	Cormier		
D480,772	S	10/2003	Washington		
D495,381	S *	8/2004	Ceppo	D21/686
D502,515	S *	3/2005	Carter	D21/694
7,163,488	B2 *	1/2007	Anders et al.	482/4
D544,050	S *	6/2007	Webber	D21/686
D615,138	S	5/2010	Briscoe		
7,717,837	B2 *	5/2010	Florczak	482/143
D617,400	S *	6/2010	Hetzel et al.	D21/691
D623,245	S	9/2010	Evans		
D637,246	S	5/2011	James		
8,088,045	B2 *	1/2012	Hoffman	482/8

* cited by examiner

Primary Examiner — Susan E Krakower

(74) *Attorney, Agent, or Firm* — QuickPatents, Inc.; Kevin Prince

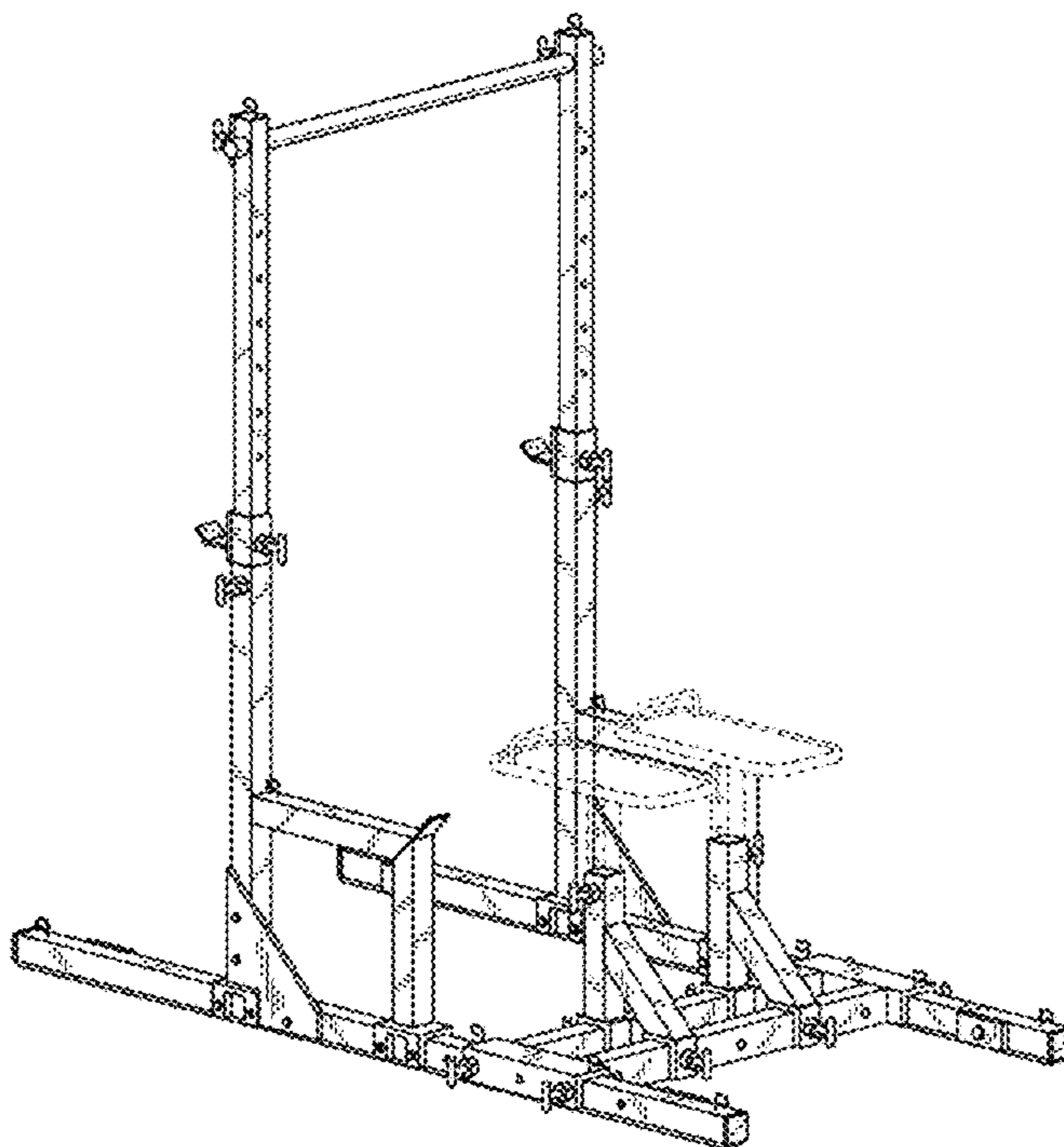
(57) **CLAIM**

I claim the ornamental design for an exercise device, as shown and described.

DESCRIPTION

FIG. 1 is a perspective view of an exercise device, showing my new design;
FIG. 2 is a right-side elevational view thereof, the left-side elevational view being a mirror image thereof;
FIG. 3 is a top plan view thereof;
FIG. 4 is a front elevational view thereof;
FIG. 5 is a rear elevational view thereof; and,
FIG. 6 is a bottom plan view thereof.
The broken lines showing a pair of exercise accessories in FIG. 1 depict environmental matter, and form no part of the claimed design.

1 Claim, 3 Drawing Sheets



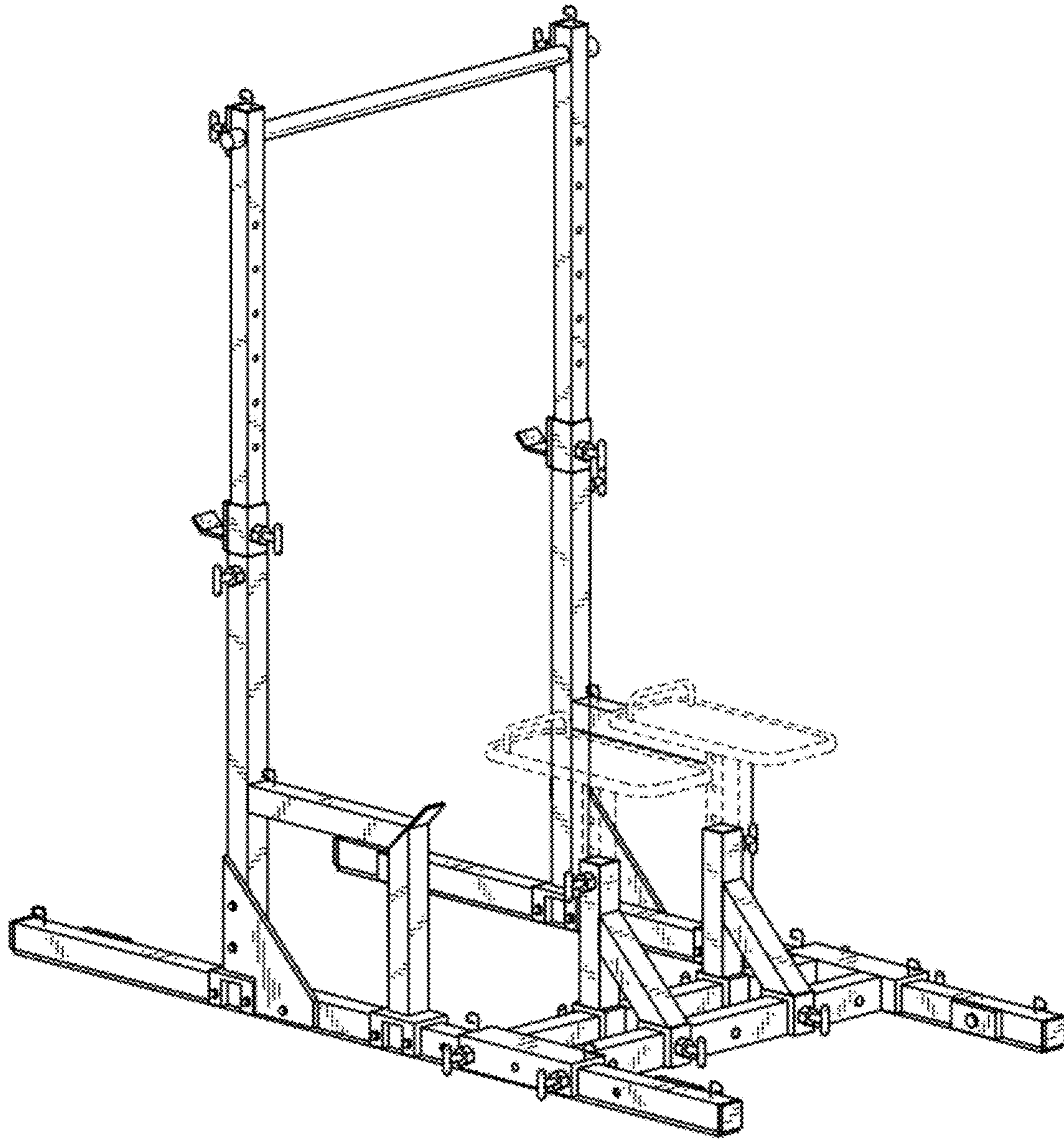


FIG. 1

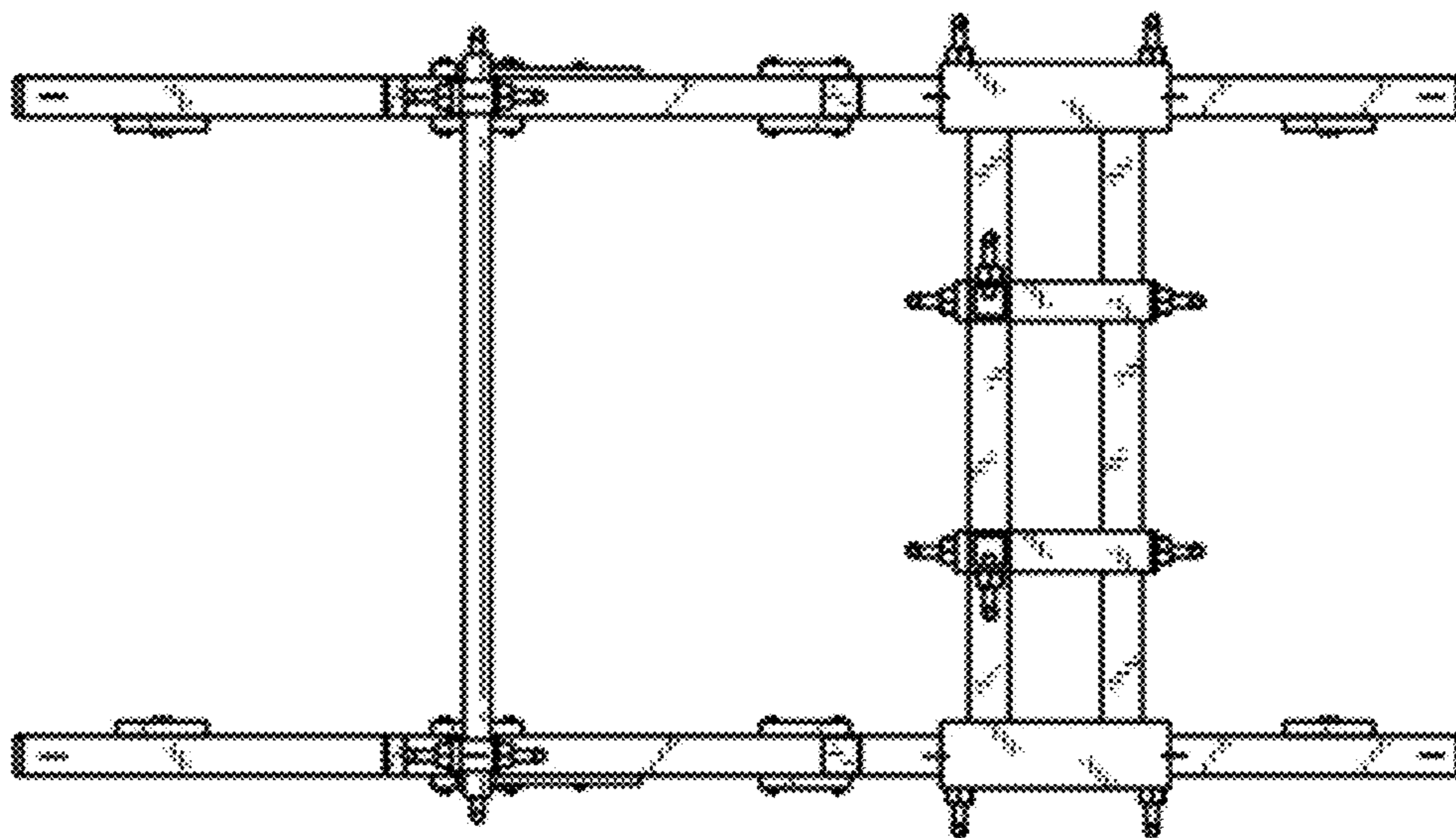
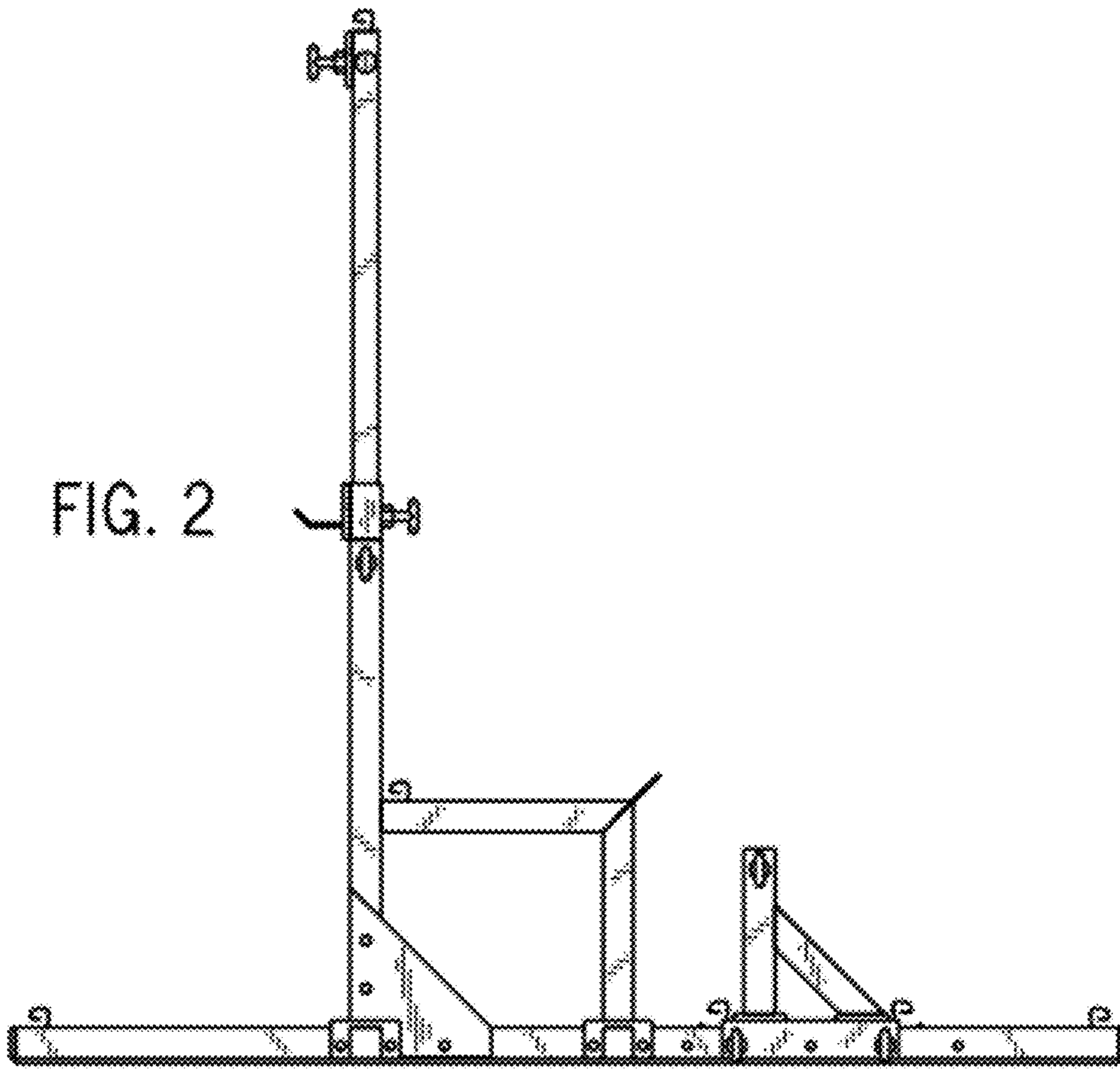


FIG. 3

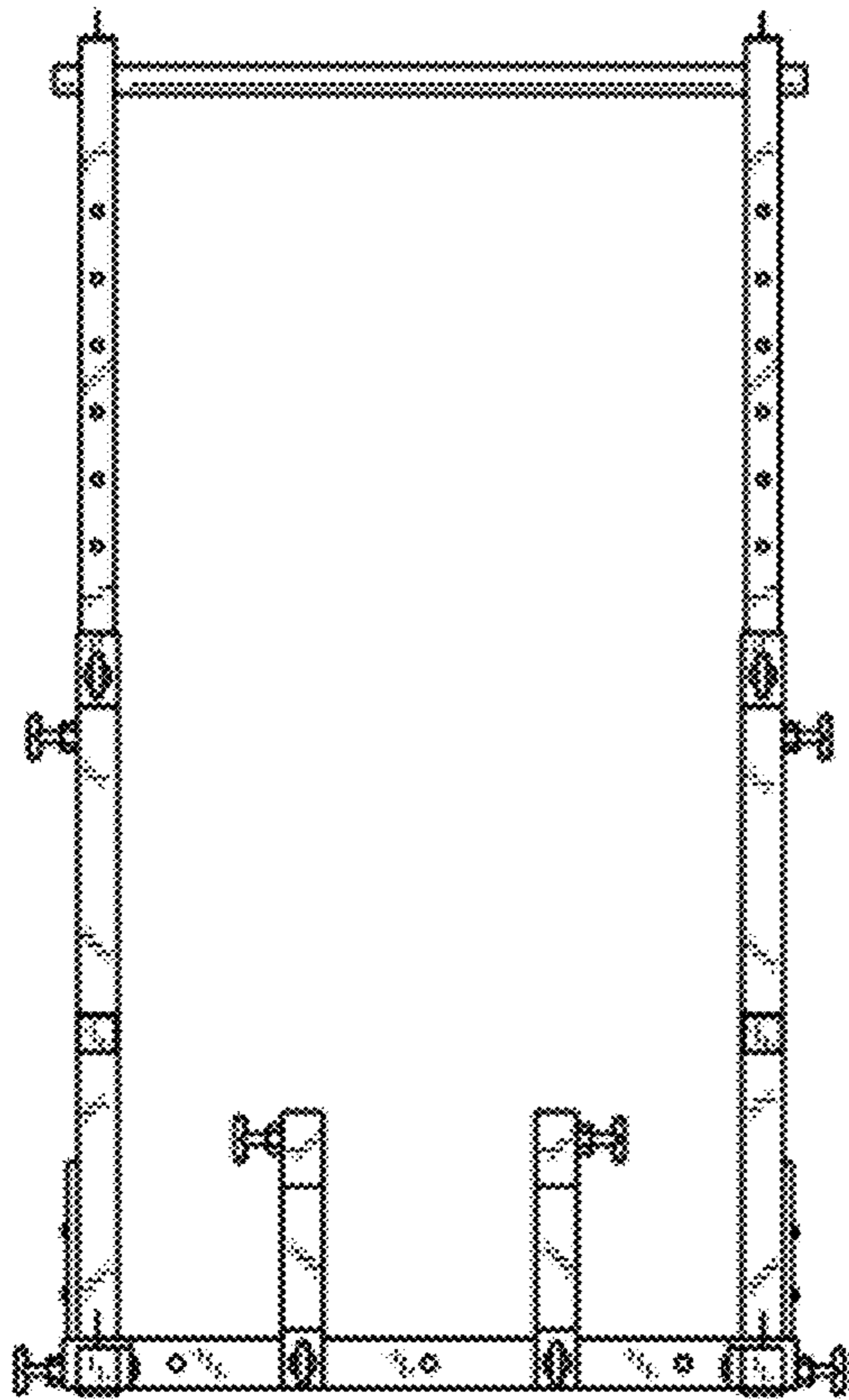


FIG. 4

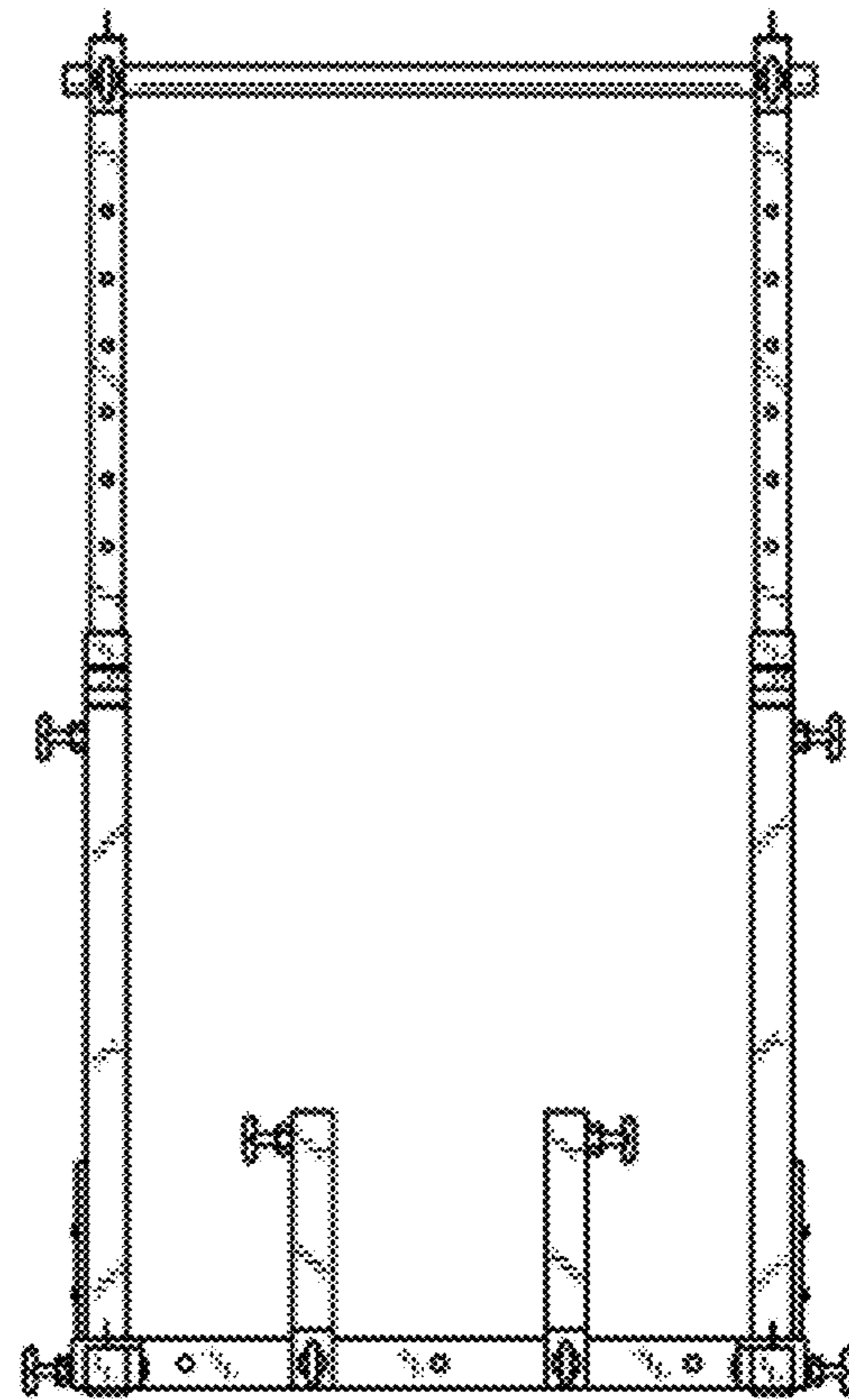


FIG. 5

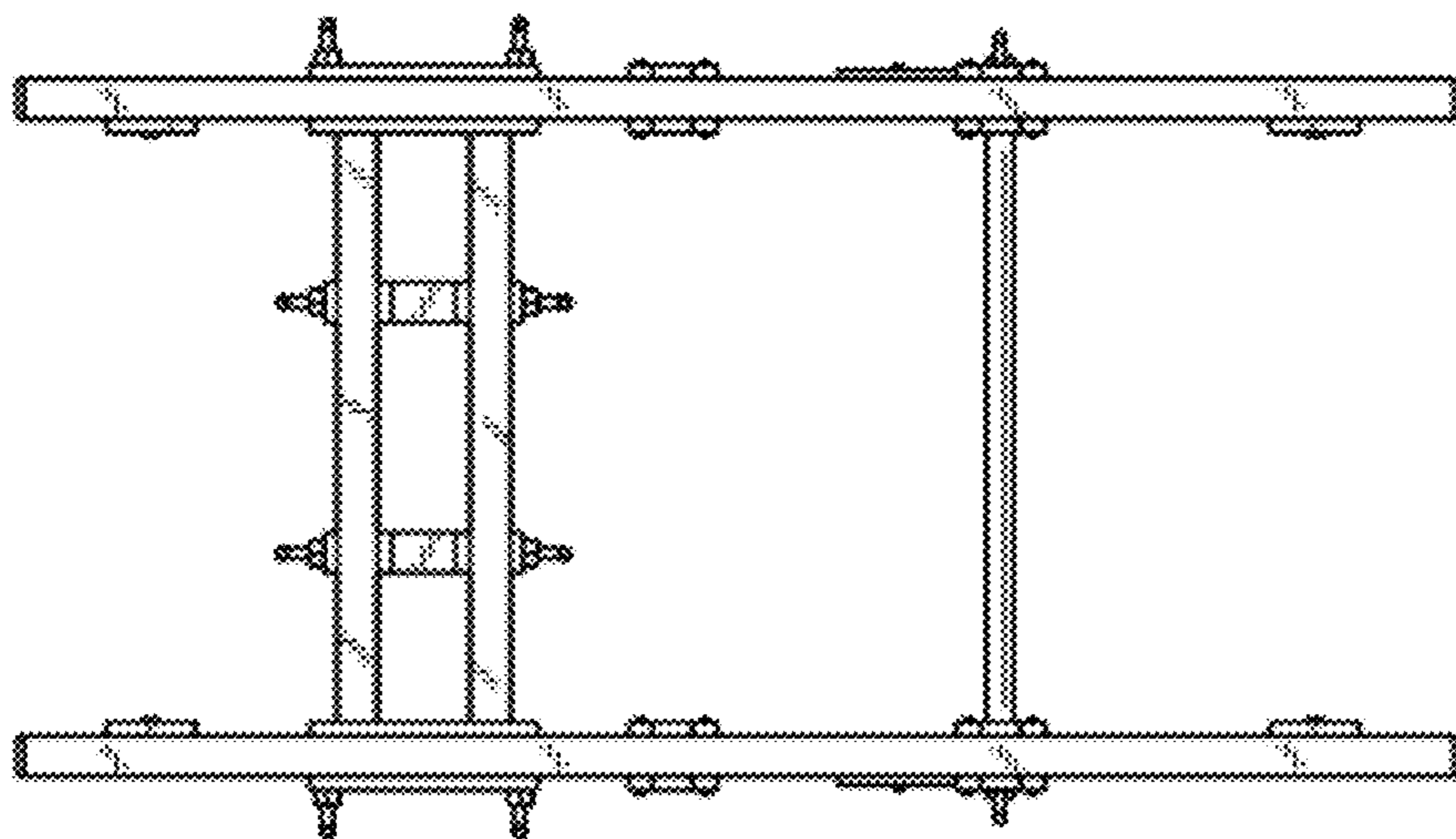


FIG. 6