

US00D666258S

(12) **United States Design Patent**
Campbell

(10) **Patent No.:** **US D666,258 S**

(45) **Date of Patent:** **** Aug. 28, 2012**

(54) **FITNESS BELT**

(75) **Inventor:** **Janaina Campbell**, Hackensack, NJ
(US)

(73) **Assignee:** **Rio Soul Inc.**, Hackensack, NJ (US)

(**) **Term:** **14 Years**

(21) **Appl. No.:** **29/392,304**

(22) **Filed:** **May 19, 2011**

(51) **LOC (9) Cl.** **21-02**

(52) **U.S. Cl.** **D21/683; D24/190**

(58) **Field of Classification Search** D21/662,
D21/683-685, 791; 482/55, 92-94, 97-105,
482/124; D29/120.1; D2/610-613, 627,
D2/637, 728, 864; 2/16, 67, 69, 79, 94, 102,
2/105, 227-228; D3/215, 226, 229; 607/108,
607/112; 602/79; D6/608; D24/188-190,
D24/206, 207

See application file for complete search history.

(56) **References Cited**

U.S. PATENT DOCUMENTS

3,525,141	A	*	8/1970	Smith	29/428
D218,621	S	*	9/1970	Scott, Jr.	D21/683
5,067,178	A	*	11/1991	Katchka	2/250
D338,997	S	*	9/1993	Greco	D2/627
D342,790	S	*	12/1993	Zona	D24/207
D358,705	S	*	5/1995	Saggese, Jr.	D3/226
5,547,445	A	*	8/1996	Chang	482/105

D374,983	S	*	10/1996	Brucki	D3/226
D375,623	S	*	11/1996	Pearl-Lee	D3/226
6,241,135	B1	*	6/2001	Thatcher	224/148.5
D495,484	S	*	9/2004	Marks	D3/215
D548,349	S	*	8/2007	Hollister	D24/190
D561,465	S	*	2/2008	Cundiff	D3/226

* cited by examiner

Primary Examiner — Susan E Krakower

(74) *Attorney, Agent, or Firm* — Leason Ellis LLP

(57) **CLAIM**

The ornamental design for a fitness belt, as shown and described.

DESCRIPTION

FIG. 1 is a front perspective view of a fitness belt showing my new design in a closed position and showing the two pockets thereof;

FIG. 2 is a front perspective view thereof;

FIG. 3 is a front elevation view thereof;

FIG. 4 is a rear elevation view thereof;

FIG. 5 is a top plan view thereof;

FIG. 6 is a bottom plan view thereof;

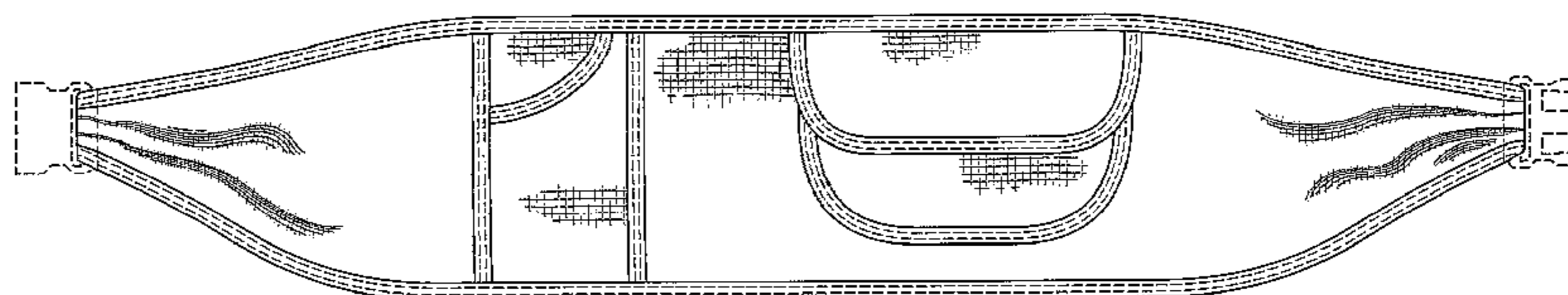
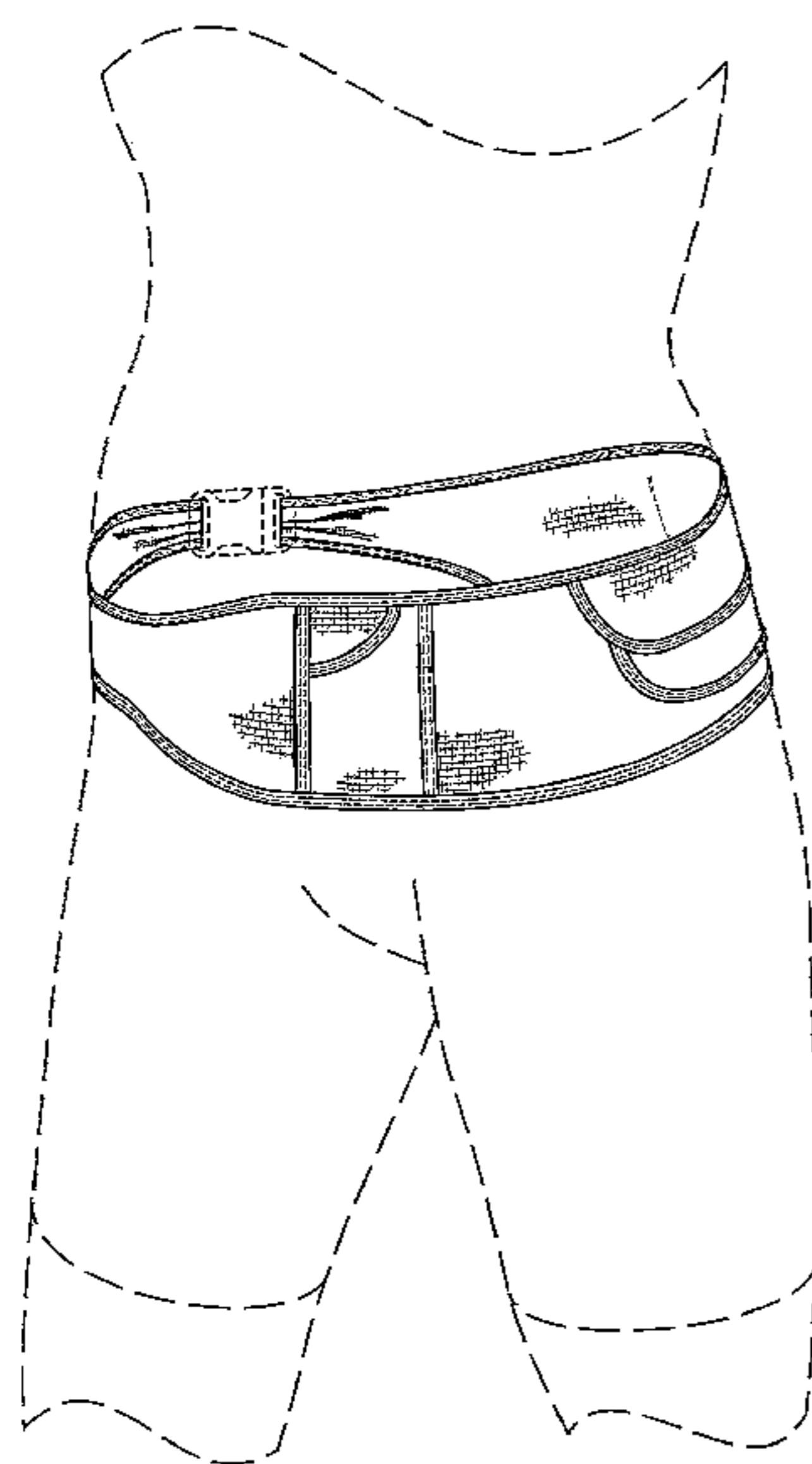
FIG. 7 is a right side view thereof; and,

FIG. 8 is a left side view thereof.

The broken lines showing a connector illustrate environmental structure and form no part of the claimed design.

It is understood that the dashed lines shown within the claimed design indicate stitch lines which form part of the claimed design.

1 Claim, 4 Drawing Sheets



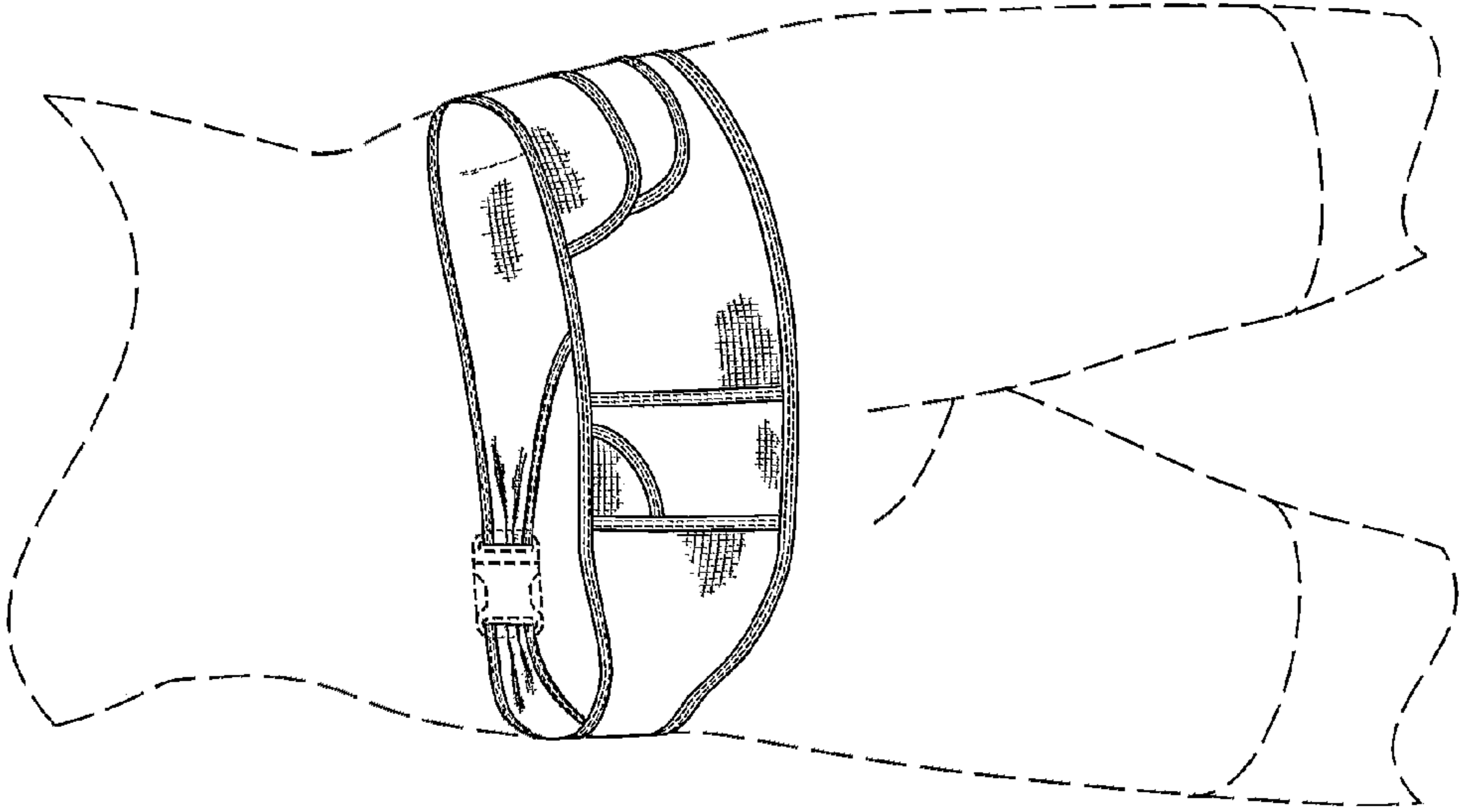


Fig. 1

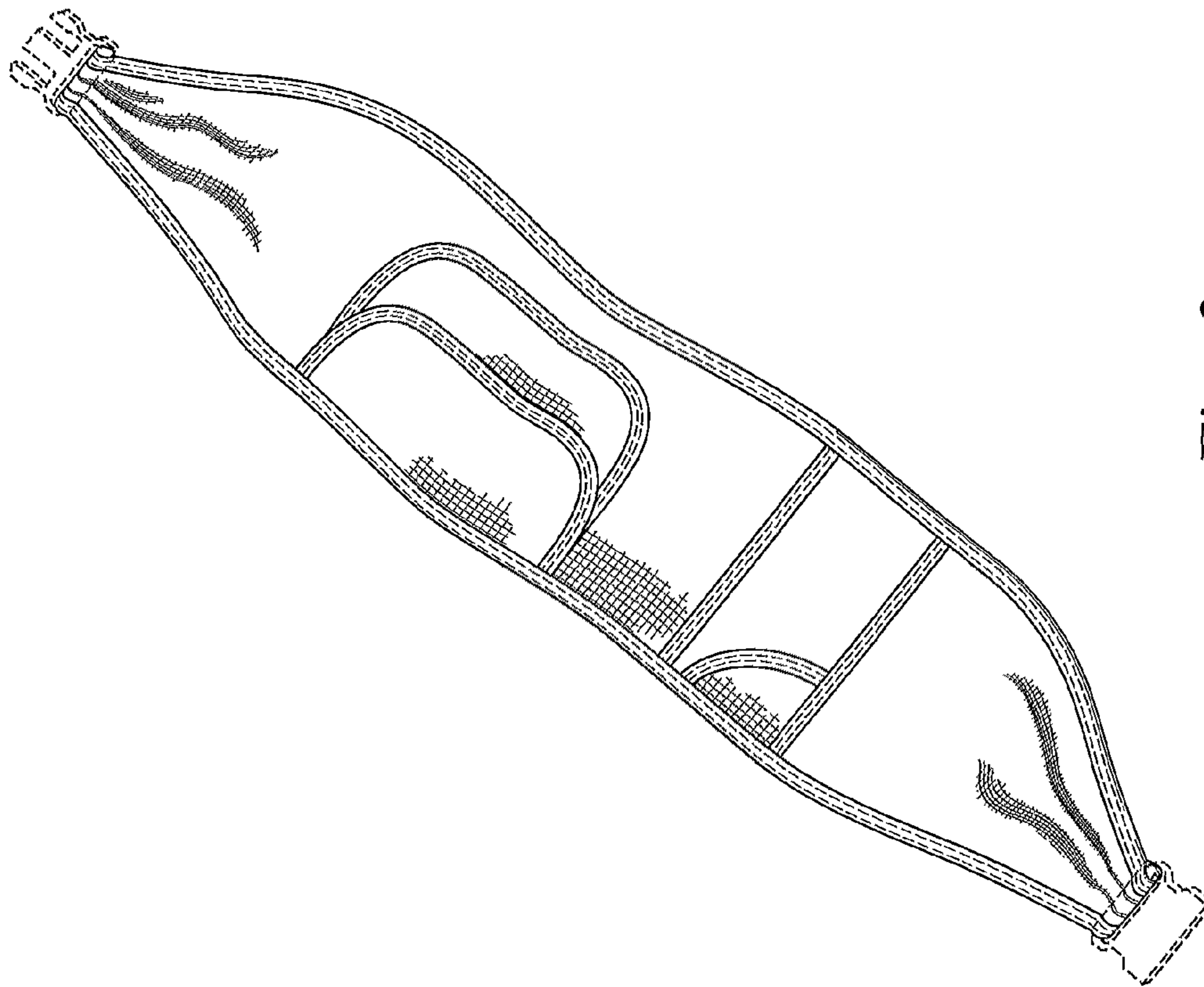


Fig. 2

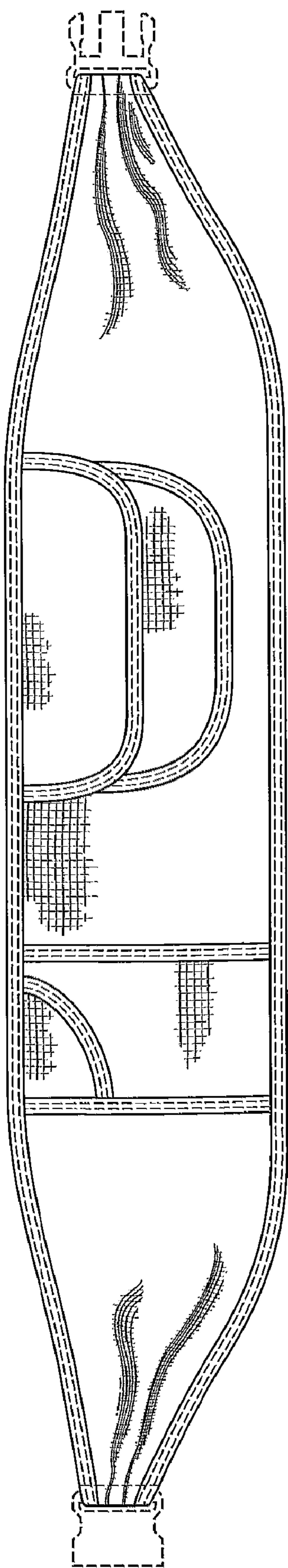


Fig. 3

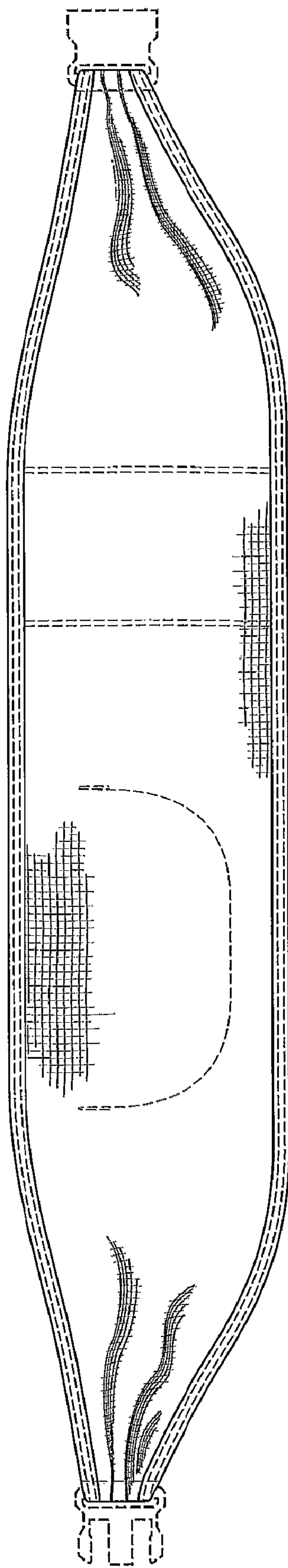


Fig. 4



Fig. 5



Fig. 6



Fig. 7



Fig. 8