



US00D666255S

(12) **United States Design Patent**  
**Babchinetskaya et al.**

(10) **Patent No.:** **US D666,255 S**  
(45) **Date of Patent:** **\*\* Aug. 28, 2012**

(54) **EXERCISE DEVICE**

(76) Inventors: **Lina Babchinetskaya**, Philadelphia, PA  
(US); **Roman Birman**, Philadelphia, PA  
(US)

(\*\*) Term: **14 Years**

(21) Appl. No.: **29/398,322**

(22) Filed: **Jul. 29, 2011**

(51) **LOC (9) Cl.** ..... **21-02**

(52) **U.S. Cl.** ..... **D21/662**

(58) **Field of Classification Search** ..... D21/662,  
D21/679, 680, 684, 692, 694; 482/108, 110,  
482/121-123, 125-127, 129, 132; D24/211;  
601/120

See application file for complete search history.

(56) **References Cited**

U.S. PATENT DOCUMENTS

|           |     |         |                |         |
|-----------|-----|---------|----------------|---------|
| 2,920,418 | A * | 1/1960  | Britt          | 446/241 |
| 3,403,906 | A * | 10/1968 | Burzenski      | 482/132 |
| 3,616,794 | A * | 11/1971 | Gromala        | 601/120 |
| D224,935  | S * | 10/1972 | Winger         | D21/662 |
| 3,752,475 | A * | 8/1973  | Ott            | 482/127 |
| 3,938,803 | A * | 2/1976  | Wilmoth et al. | 482/132 |
| 4,339,127 | A * | 7/1982  | Mitchell       | 482/132 |
| D268,436  | S * | 3/1983  | Clark          | D21/680 |
| D306,886  | S   | 3/1990  | Shiek et al.   |         |
| D320,827  | S   | 10/1991 | Centafanti     |         |
| 5,261,866 | A * | 11/1993 | Mattox         | 482/125 |
| D346,632  | S   | 5/1994  | Castellanos    |         |
| 5,356,359 | A * | 10/1994 | Simmons        | 482/97  |

|              |      |         |               |         |
|--------------|------|---------|---------------|---------|
| D422,038     | S    | 3/2000  | Iannetta      |         |
| 6,203,476    | B1   | 3/2001  | Wang et al.   |         |
| D445,852     | S *  | 7/2001  | Mishan et al. | D21/662 |
| 6,328,680    | B1 * | 12/2001 | Shifferaw     | 482/132 |
| D454,929     | S *  | 3/2002  | Huang         | D21/662 |
| D467,290     | S    | 12/2002 | Chen          |         |
| 6,500,105    | B1   | 12/2002 | Kuo           |         |
| 6,629,913    | B2   | 10/2003 | Chen          |         |
| 6,780,144    | B2 * | 8/2004  | Stevens       | 482/91  |
| D501,899     | S    | 2/2005  | Shute, Jr.    |         |
| 7,175,573    | B1   | 2/2007  | Huang         |         |
| D538,360     | S    | 3/2007  | Beaupre       |         |
| D654,970     | S *  | 2/2012  | Daves         | D21/662 |
| 2002/0187885 | A1 * | 12/2002 | Liao          | 482/126 |

\* cited by examiner

*Primary Examiner* — Susan E Krakower

(74) *Attorney, Agent, or Firm* — QuickPatents, Inc.; Kevin Prince

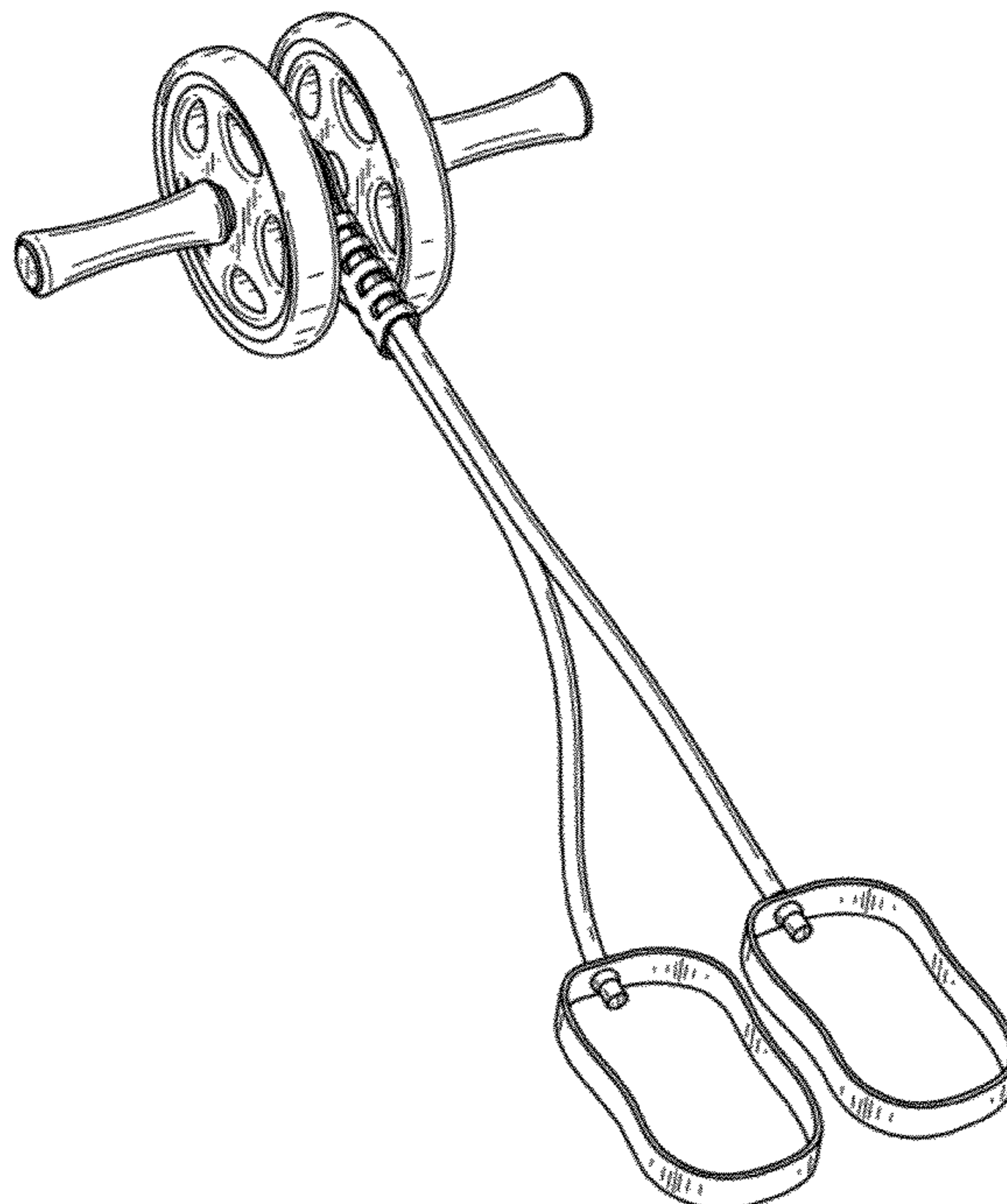
(57) **CLAIM**

We claim the ornamental design for an exercise device, as shown and described.

**DESCRIPTION**

FIG. 1 is a perspective view of an exercise device, showing our new design;  
FIG. 2 is a front elevational view thereof;  
FIG. 3 is a rear elevational view thereof;  
FIG. 4 is a top plan view thereof;  
FIG. 5 is a right-side elevational view thereof;  
FIG. 6 is a bottom plan view thereof; and,  
FIG. 7 is a left-side elevational view thereof.

**1 Claim, 3 Drawing Sheets**



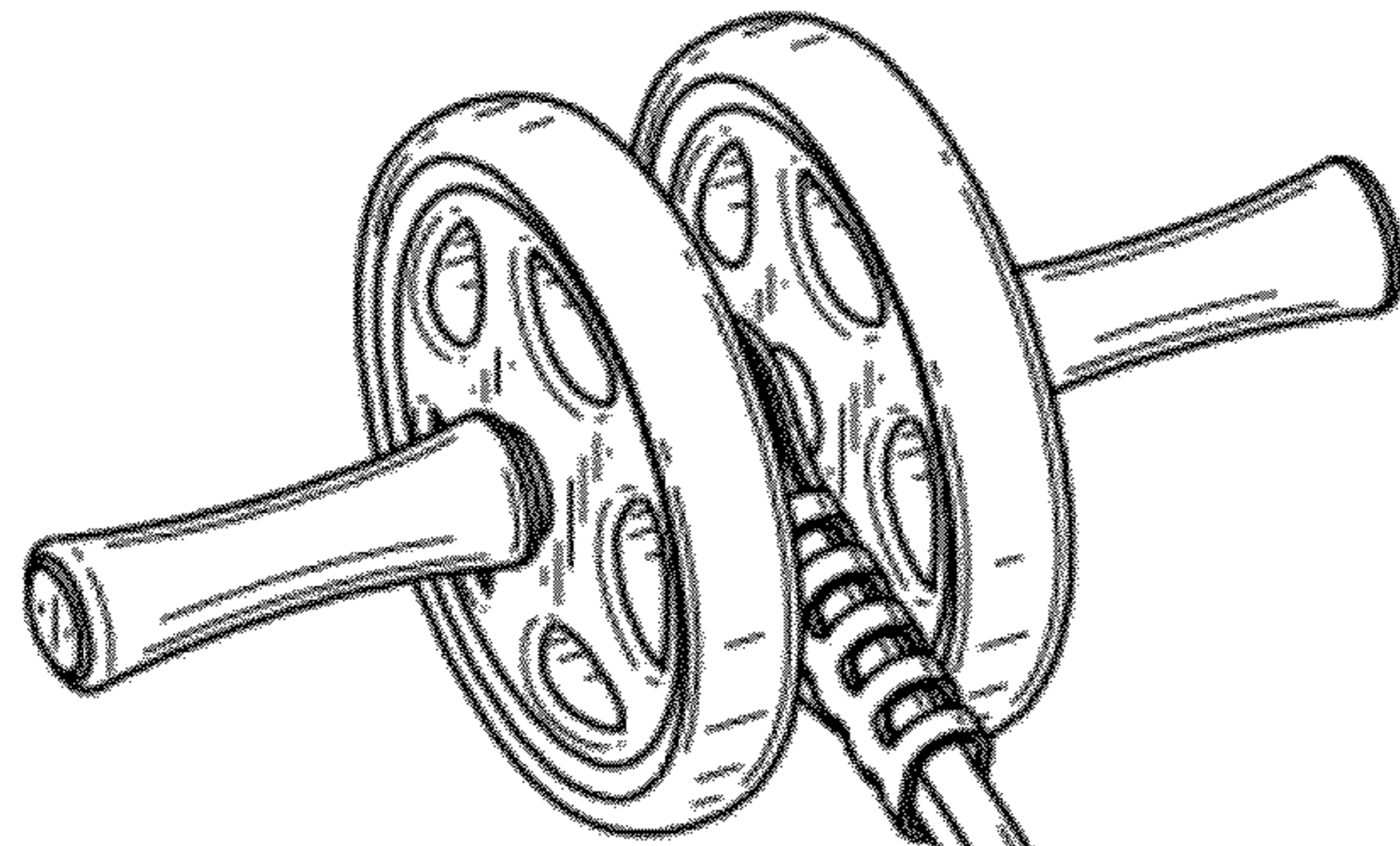


FIG. 1

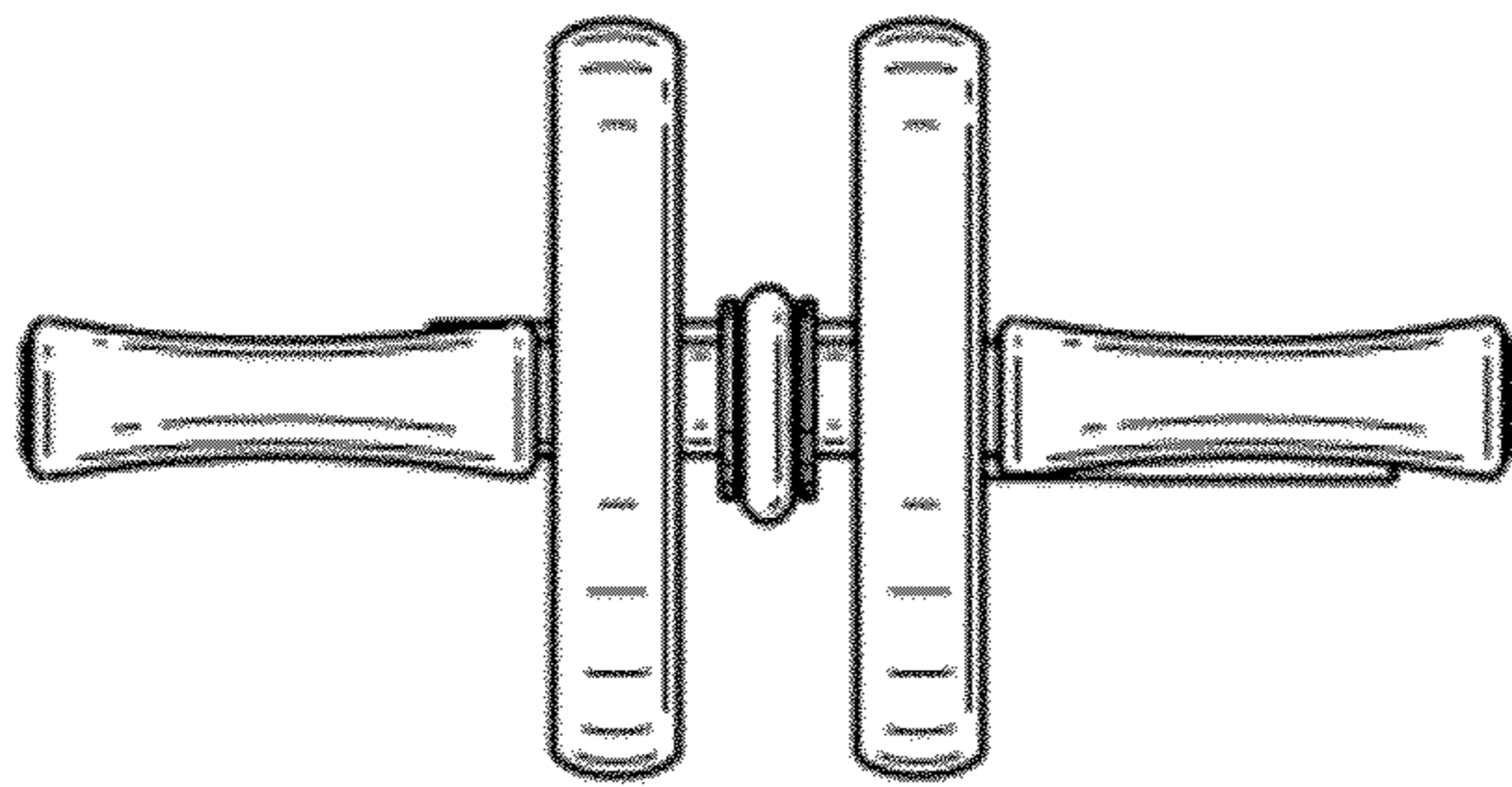


FIG. 2

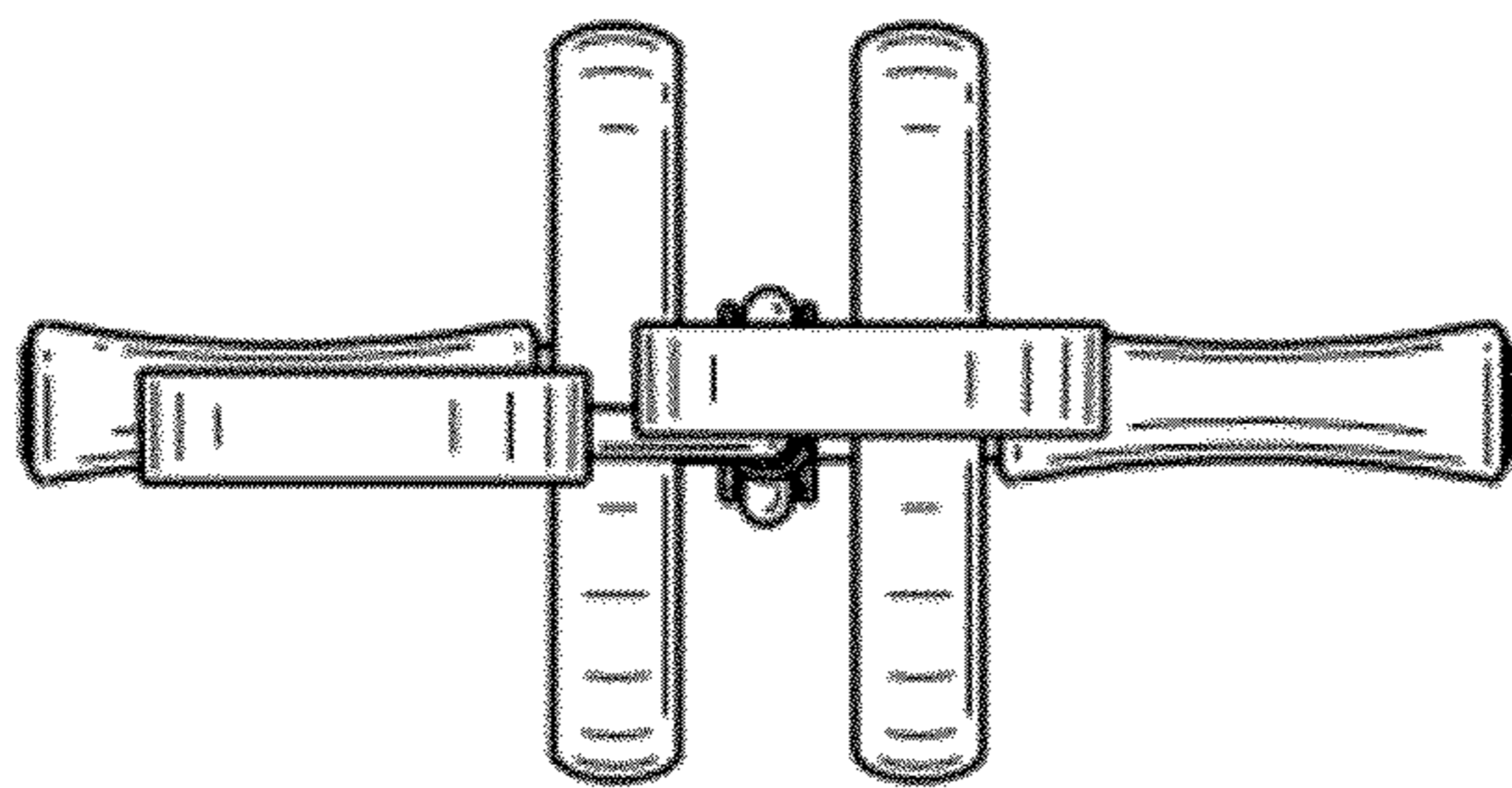
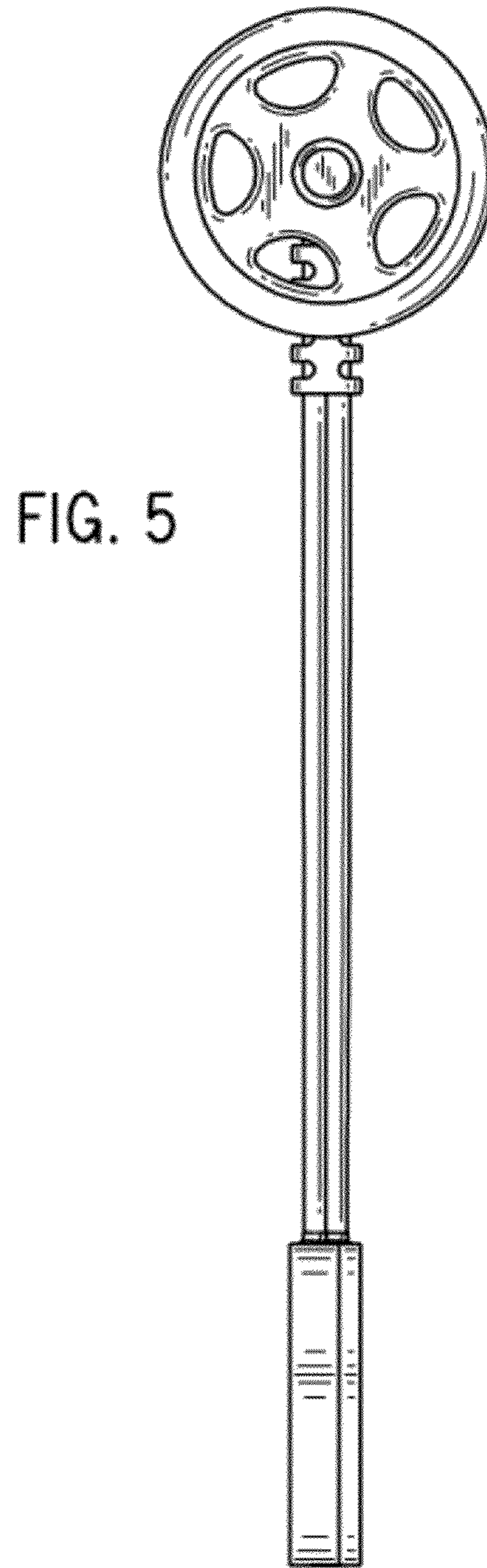
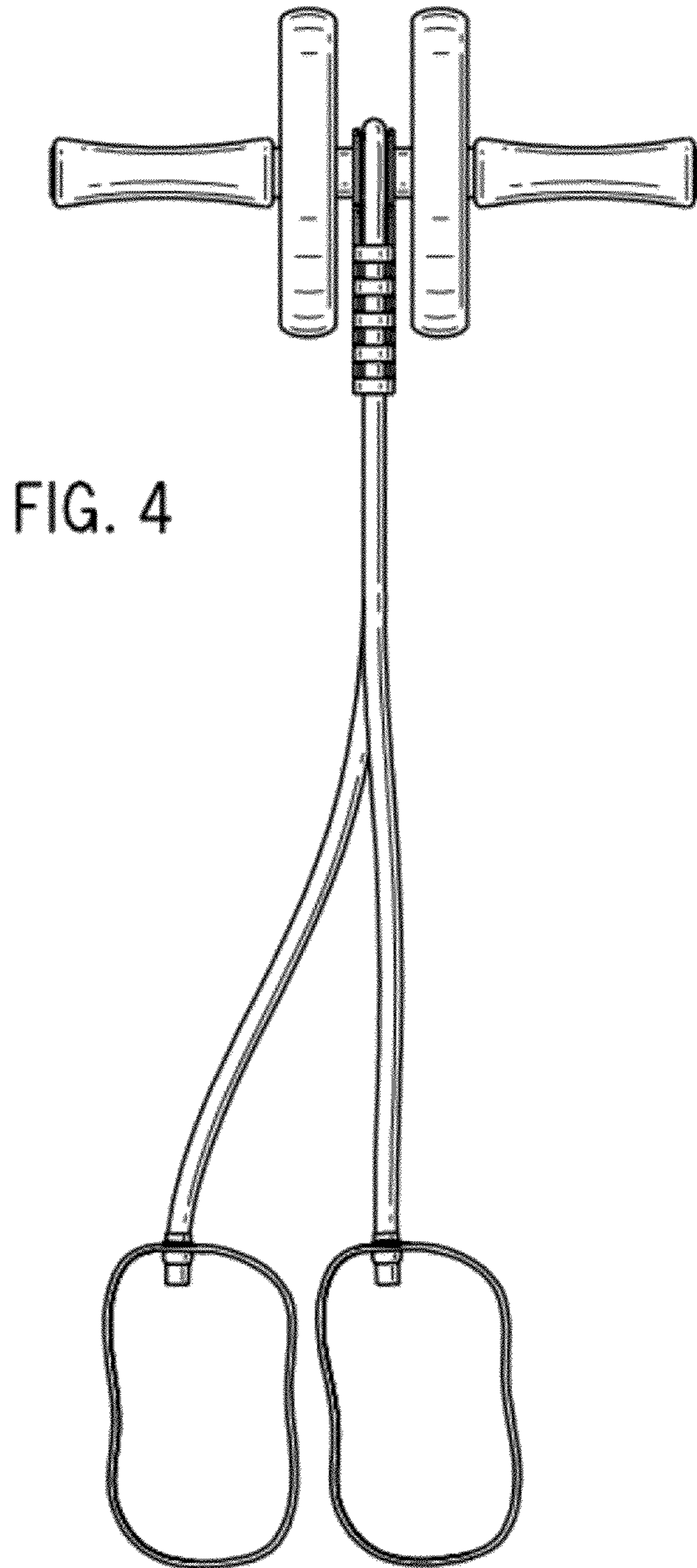


FIG. 3



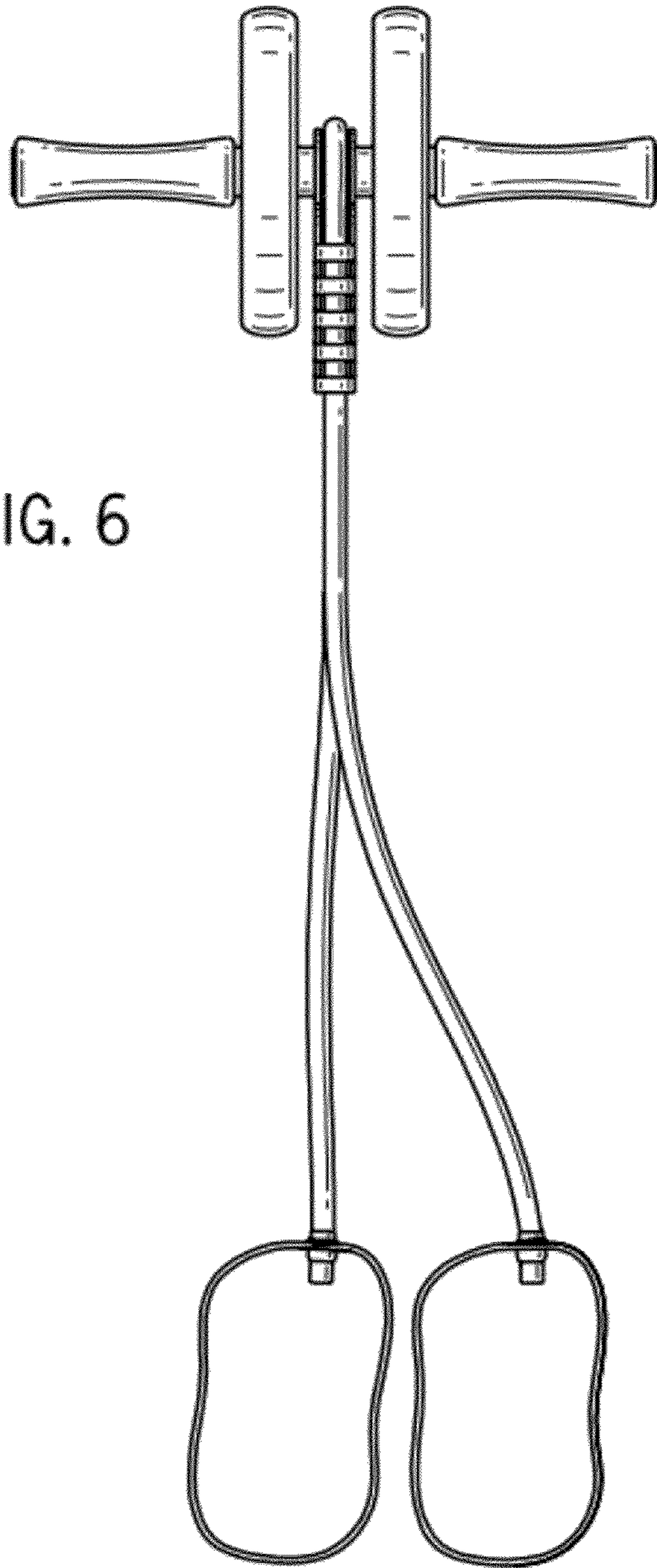


FIG. 6

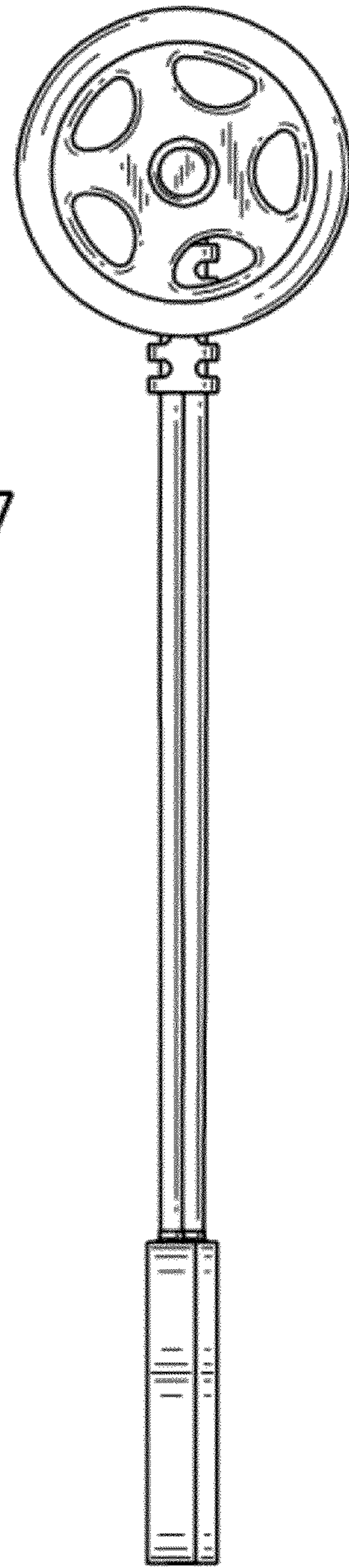


FIG. 7