



US00D666252S

(12) **United States Design Patent**
Ujita

(10) **Patent No.:** **US D666,252 S**

(45) **Date of Patent:** **** Aug. 28, 2012**

(54) **TOY TOP**

(75) Inventor: **Haruhisa Ujita**, Tokyo (JP)

(73) Assignee: **Tomy Company, Ltd.**, Tokyo (JP)

(**) Term: **14 Years**

(21) Appl. No.: **29/396,583**

(22) Filed: **Jul. 1, 2011**

(30) **Foreign Application Priority Data**

Jan. 6, 2011 (JP) 2011-000155

(51) **LOC (9) Cl.** **21-01**

(52) **U.S. Cl.** **D21/460**

(58) **Field of Classification Search** D21/385,
D21/390, 398, 436, 441-444, 453-464, 561,
D21/563, 578, 585, 592; 446/34, 46-48,
446/217, 218, 235-266, 429, 430, 435, 450-453,
446/486, 487, 489-491
See application file for complete search history.

(56) **References Cited**

U.S. PATENT DOCUMENTS

D608,842 S *	1/2010	Nishimoto	D21/460
D610,209 S *	2/2010	Nishimoto	D21/460
D614,245 S *	4/2010	Ujita	D21/460
D615,134 S *	5/2010	Nishimoto	D21/460
D615,602 S *	5/2010	Nishimoto	D21/460
D629,051 S *	12/2010	Nishimoto	D21/460
D629,468 S *	12/2010	Ujita	D21/460
D629,469 S *	12/2010	Nishimoto	D21/460
D629,847 S *	12/2010	Ujita	D21/460
D629,848 S *	12/2010	Ujita	D21/460

D639,348 S *	6/2011	Ujita	D21/460
D639,869 S *	6/2011	Nishimoto	D21/460
D646,729 S *	10/2011	Ujita	D21/460

FOREIGN PATENT DOCUMENTS

CN	3321107	*	9/2003
CN	3330127	*	10/2003
CN	3608255	*	2/2007
CN	3640746	*	5/2007
CN	300687773	*	9/2007
CN	300839700	*	10/2008
CN	300894279	*	3/2009
CN	301218931	*	5/2010
CN	301320891	*	8/2010
CN	301427005	*	12/2010
EM	001203707-0003	*	4/2010
EM	001215826-0001	*	5/2010
EM	001760604-0003	*	10/2010

* cited by examiner

Primary Examiner — Catherine Tuttle

(74) *Attorney, Agent, or Firm* — Nixon & Vanderhye P.C.

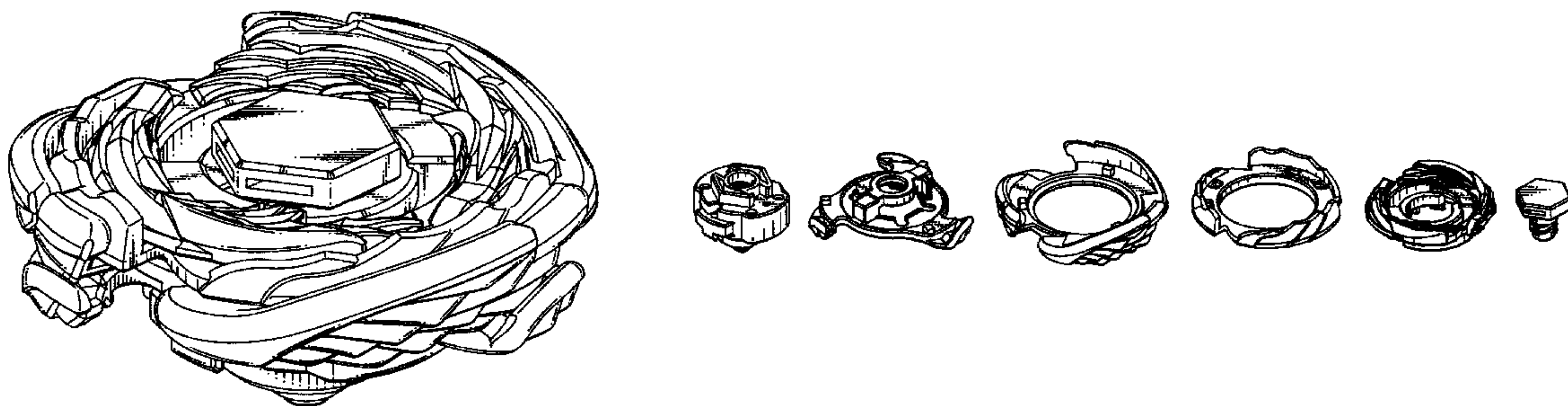
(57) **CLAIM**

The ornamental design for a toy top, as shown and described.

DESCRIPTION

FIG. 1 is a perspective view of a toy top.
FIG. 2 is a front elevation view thereof.
FIG. 3 is a rear elevation view thereof.
FIG. 4 is a left side elevation view thereof.
FIG. 5 is a right side elevation view thereof.
FIG. 6 is a top plan view thereof.
FIG. 7 is a bottom plan view thereof; and,
FIG. 8 is a disassembled perspective view thereof.

1 Claim, 8 Drawing Sheets



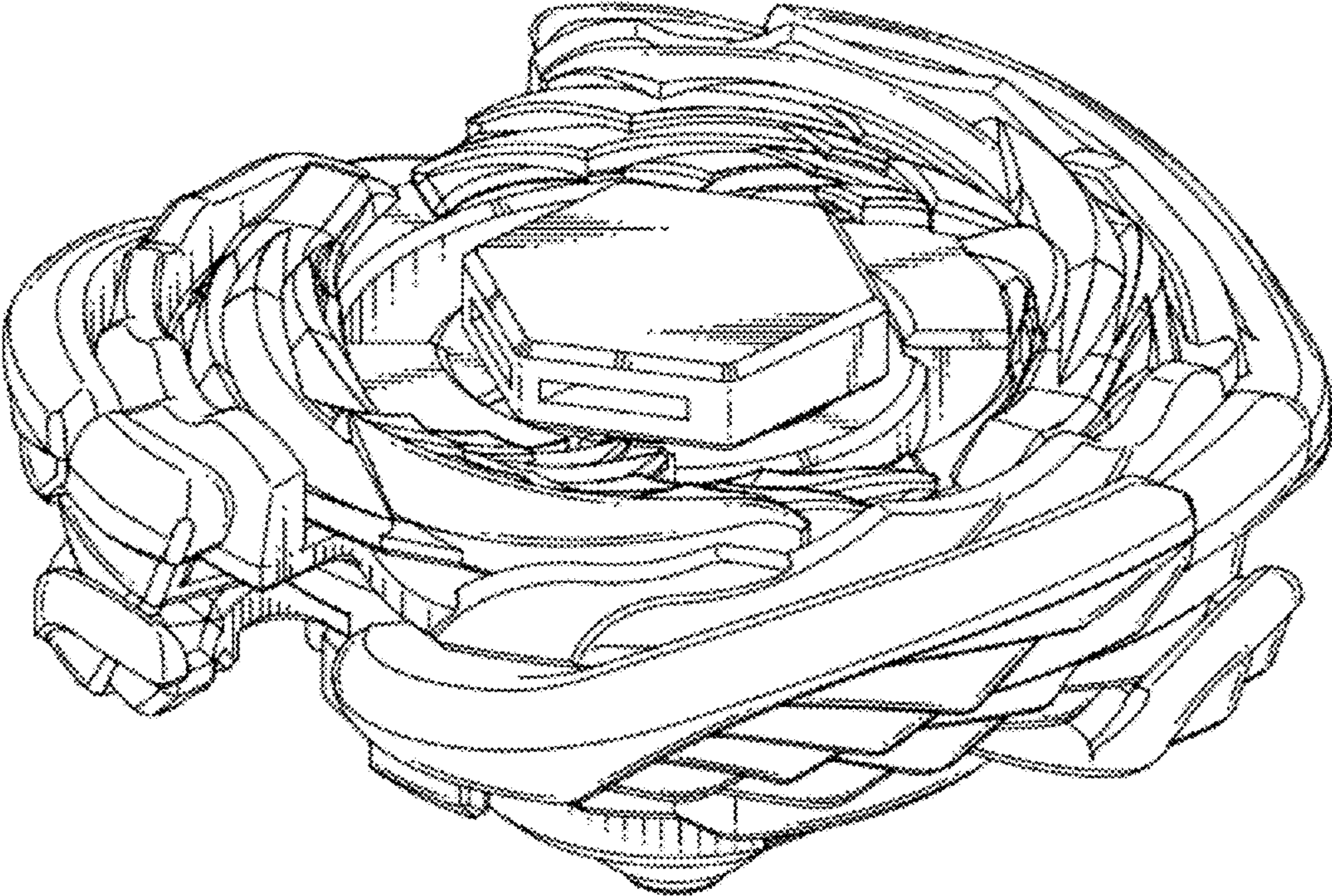


FIG. 1

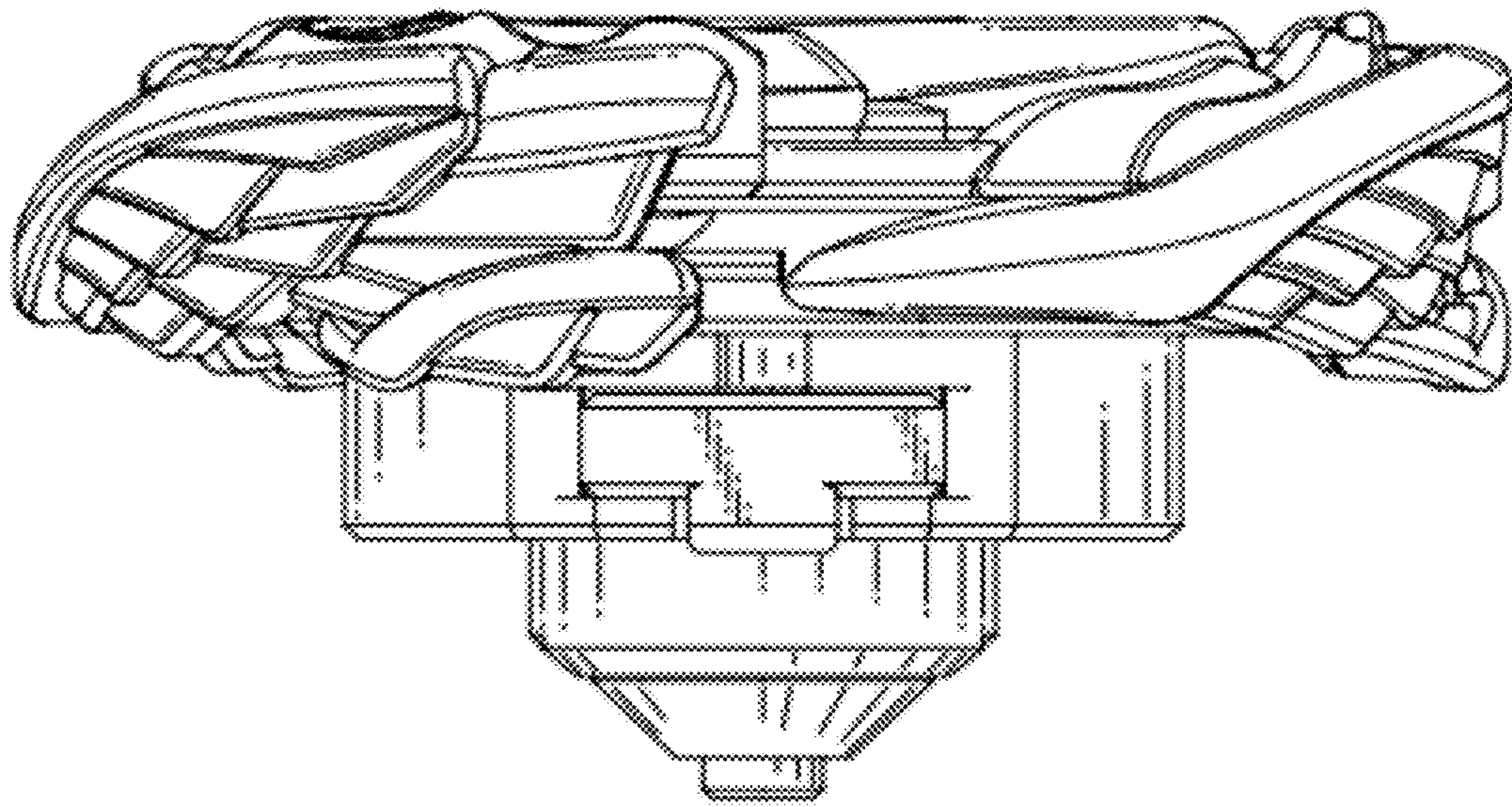


FIG. 2

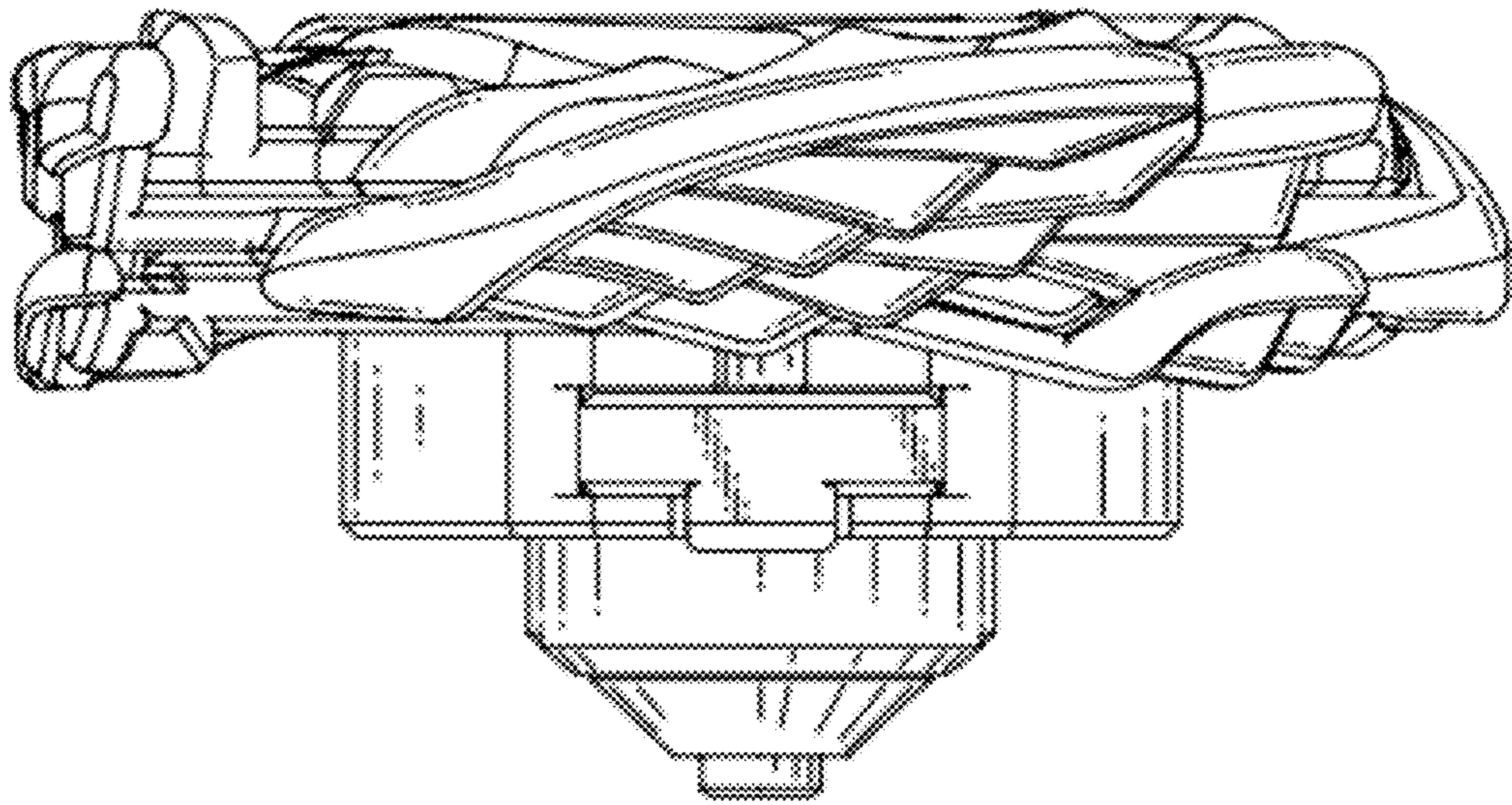


FIG. 3

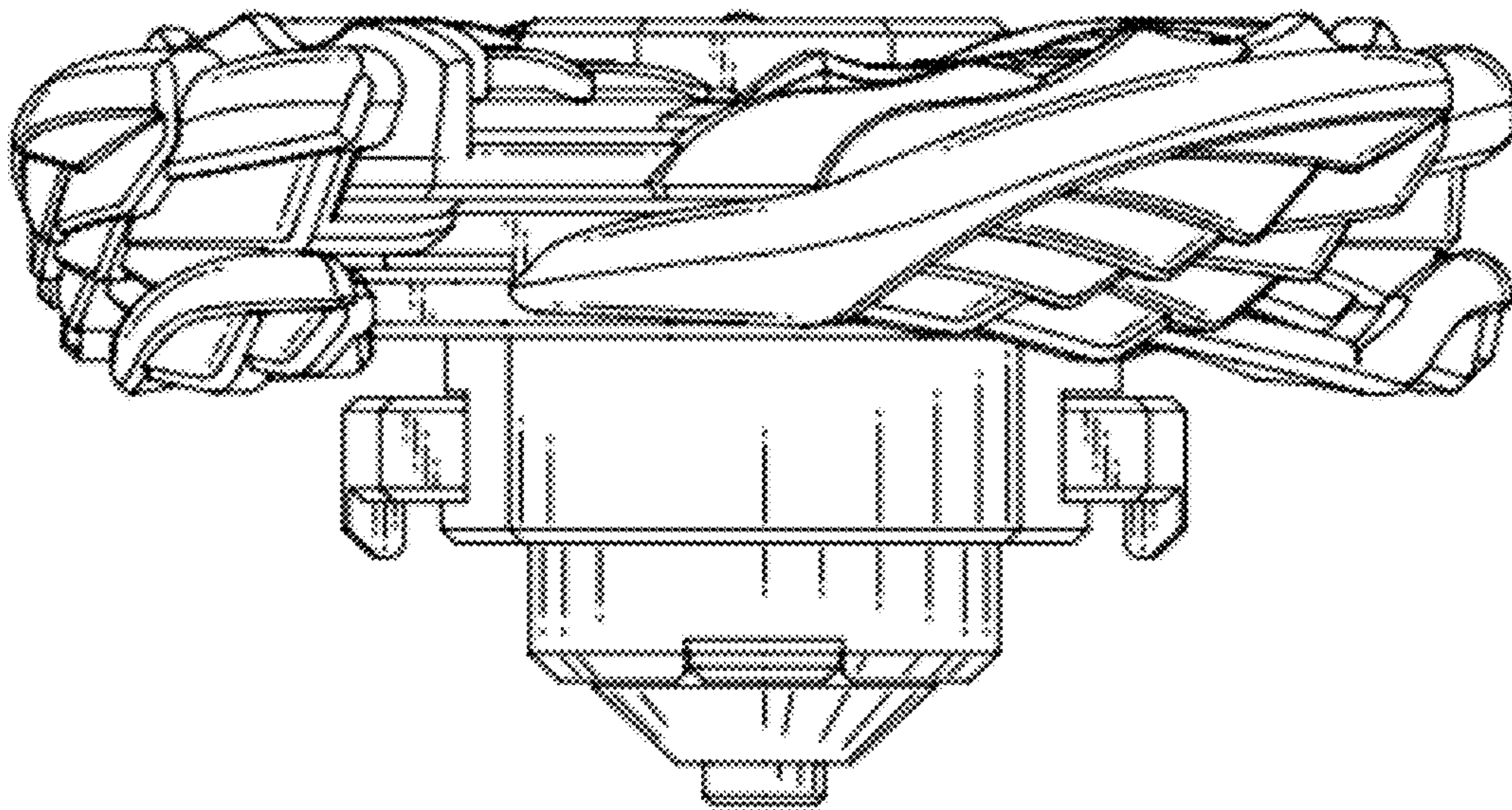


FIG. 4

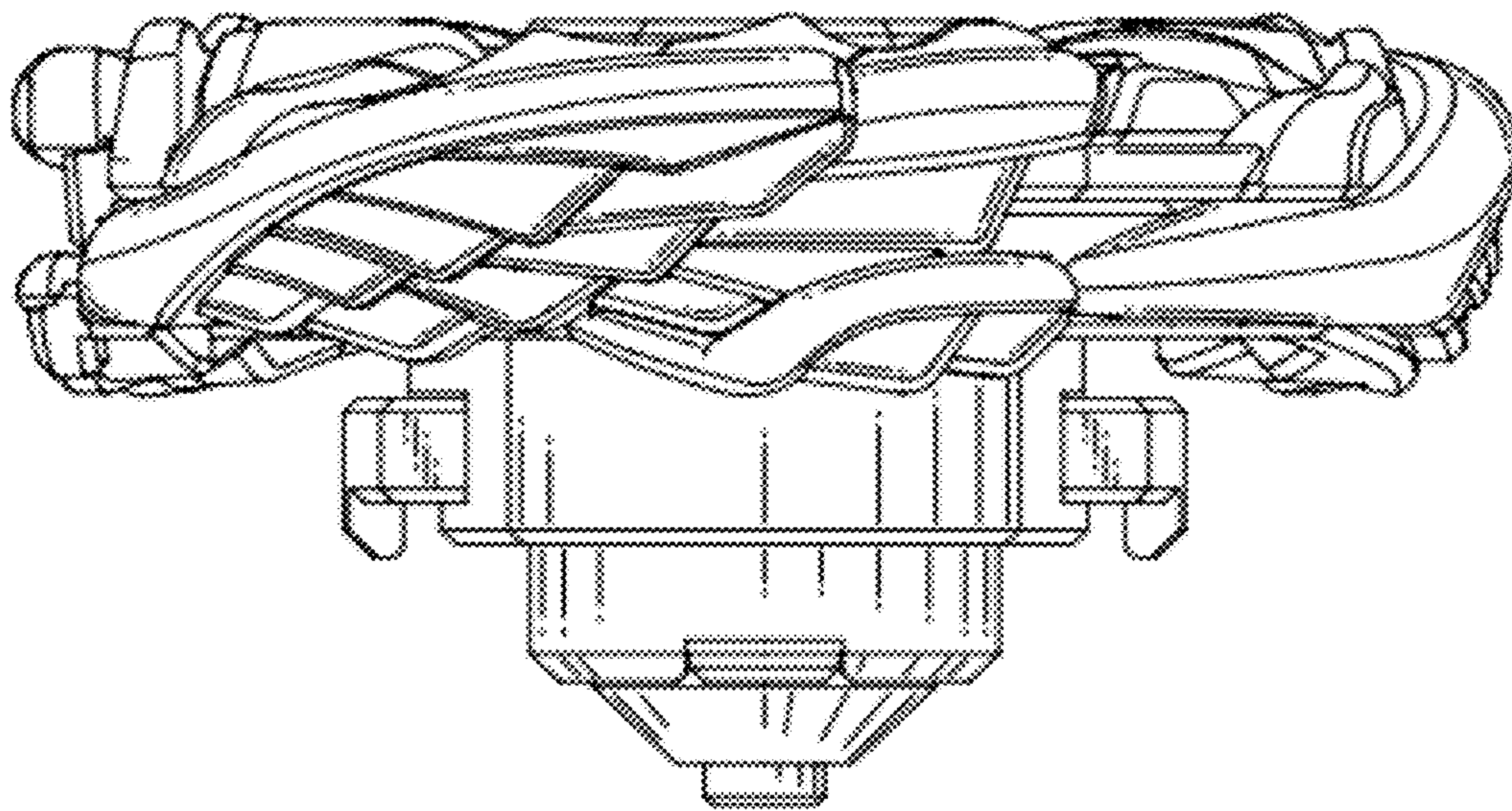


FIG. 5

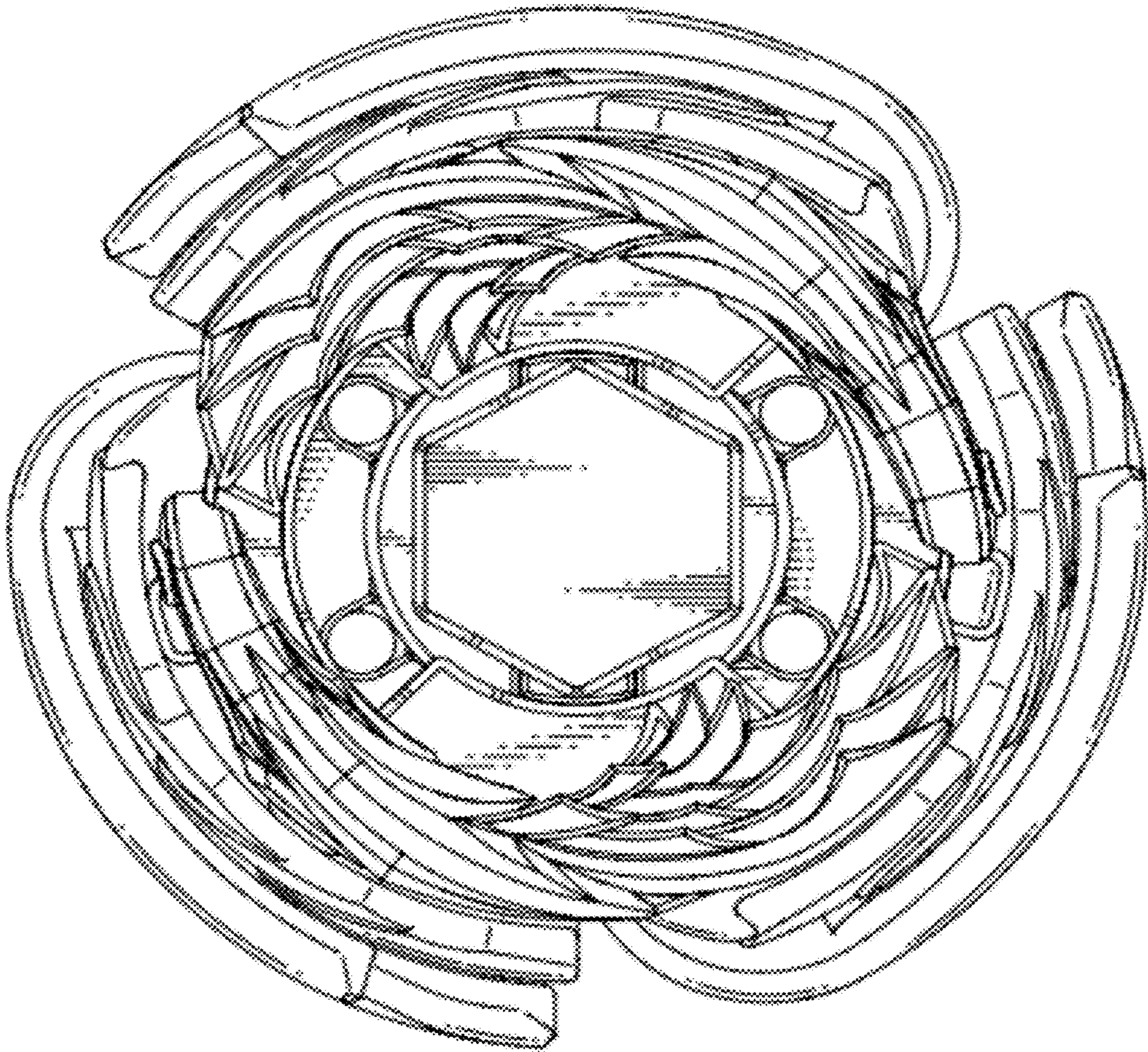


FIG. 6

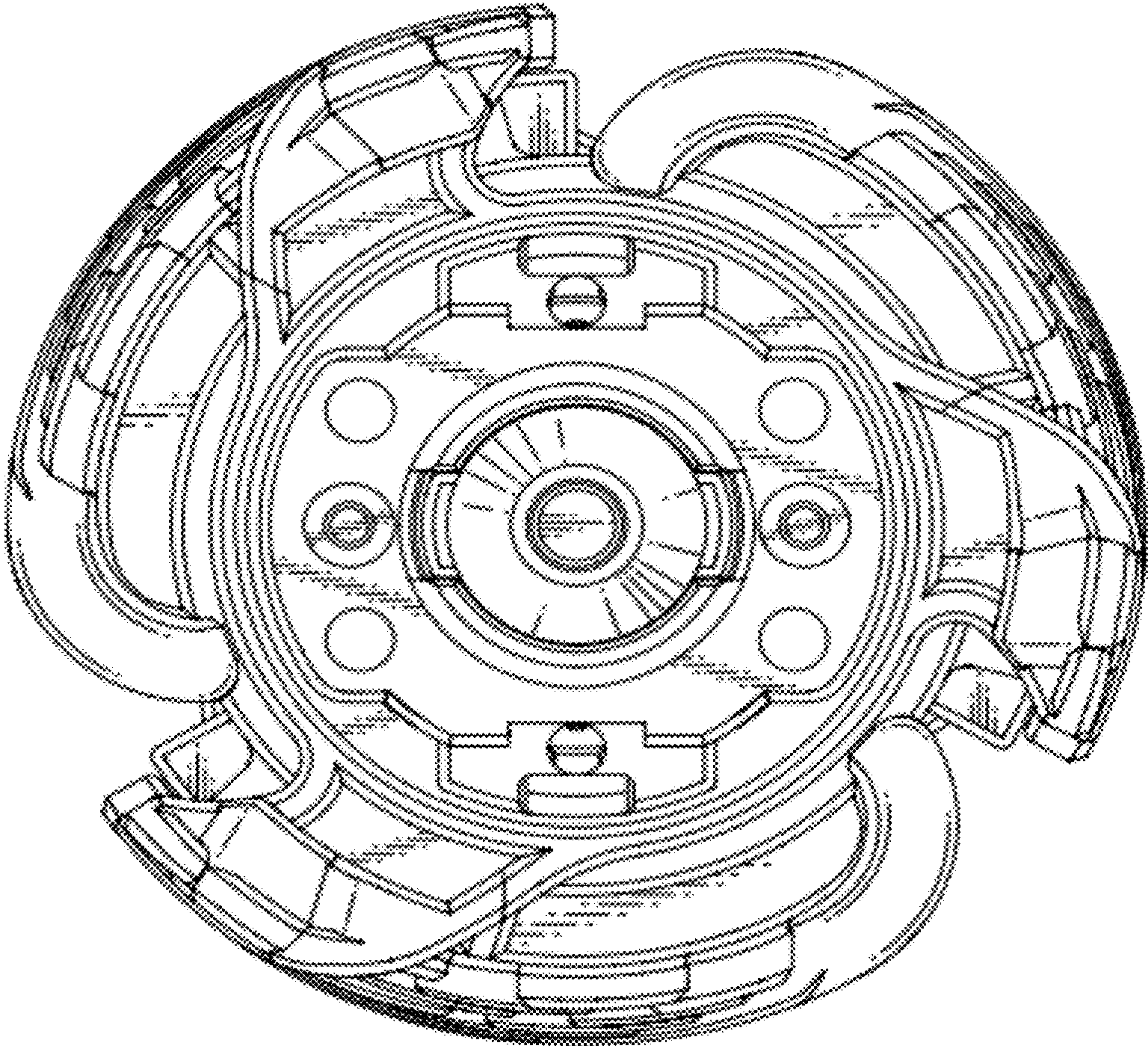


FIG. 7

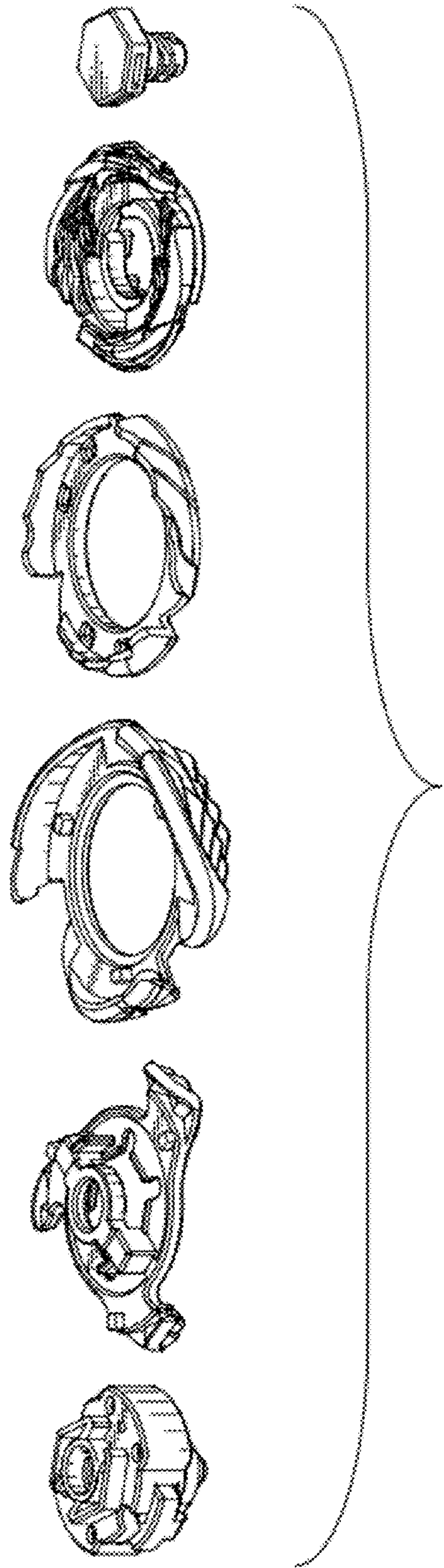


FIG. 8