



US00D666250S

(12) **United States Design Patent**
Fulghum et al.

(10) **Patent No.:** **US D666,250 S**

(45) **Date of Patent:** **** Aug. 28, 2012**

(54) **GAMING DEVICE ATTACHMENT**

(75) Inventors: **Eric B. Fulghum**, South Pasadena, CA
(US); **Gerard Lambert Block**, West
Hollywood, CA (US)

(73) Assignee: **Performance Designed Products, LLC**,
Sherman Oaks, CA (US)

(**) Term: **14 Years**

(21) Appl. No.: **29/405,624**

(22) Filed: **Nov. 3, 2011**

(51) **LOC (9) Cl.** **21-01**

(52) **U.S. Cl.** **D21/333; D14/400**

(58) **Field of Classification Search** D21/324,
D21/328, 333, 385, 477, 566; D14/399-402,
D14/412, 414, 416, 432; 273/148 B, 449,
273/441, 442; 463/1, 29-35, 46, 47; 345/156,
345/161; 434/45, 46

See application file for complete search history.

(56) **References Cited**

U.S. PATENT DOCUMENTS

5,046,739 A * 9/1991 Reichow 273/148 B
6,120,025 A * 9/2000 Hughes, IV 273/148 B
6,241,247 B1 * 6/2001 Sternberg et al. 273/148 B
D466,951 S * 12/2002 Hang D21/333

D467,621 S * 12/2002 Ku D21/333
D470,192 S * 2/2003 Ku D21/333
6,530,570 B2 * 3/2003 Ku 273/148 B
D548,235 S * 8/2007 Krieger et al. D14/401
7,316,618 B2 * 1/2008 Hsu 463/37
D637,236 S * 5/2011 Lum et al. D21/333
D639,865 S * 6/2011 Sogabe et al. D21/333
D640,697 S * 6/2011 Lovoi et al. D14/401
D641,022 S * 7/2011 Dodo et al. D14/401

* cited by examiner

Primary Examiner — Prabhakar Deshmukh

(74) *Attorney, Agent, or Firm* — Sheppard Mullin Richter &
Hampton LLP

(57) **CLAIM**

We claim the ornamental design for a gaming device attach-
ment, as shown and described.

DESCRIPTION

FIG. 1 is a perspective view of a gaming device attachment
embodying the new design;

FIG. 2 is a front elevation view thereof;

FIG. 3 is a rear elevation view thereof;

FIG. 4 is a top view thereof;

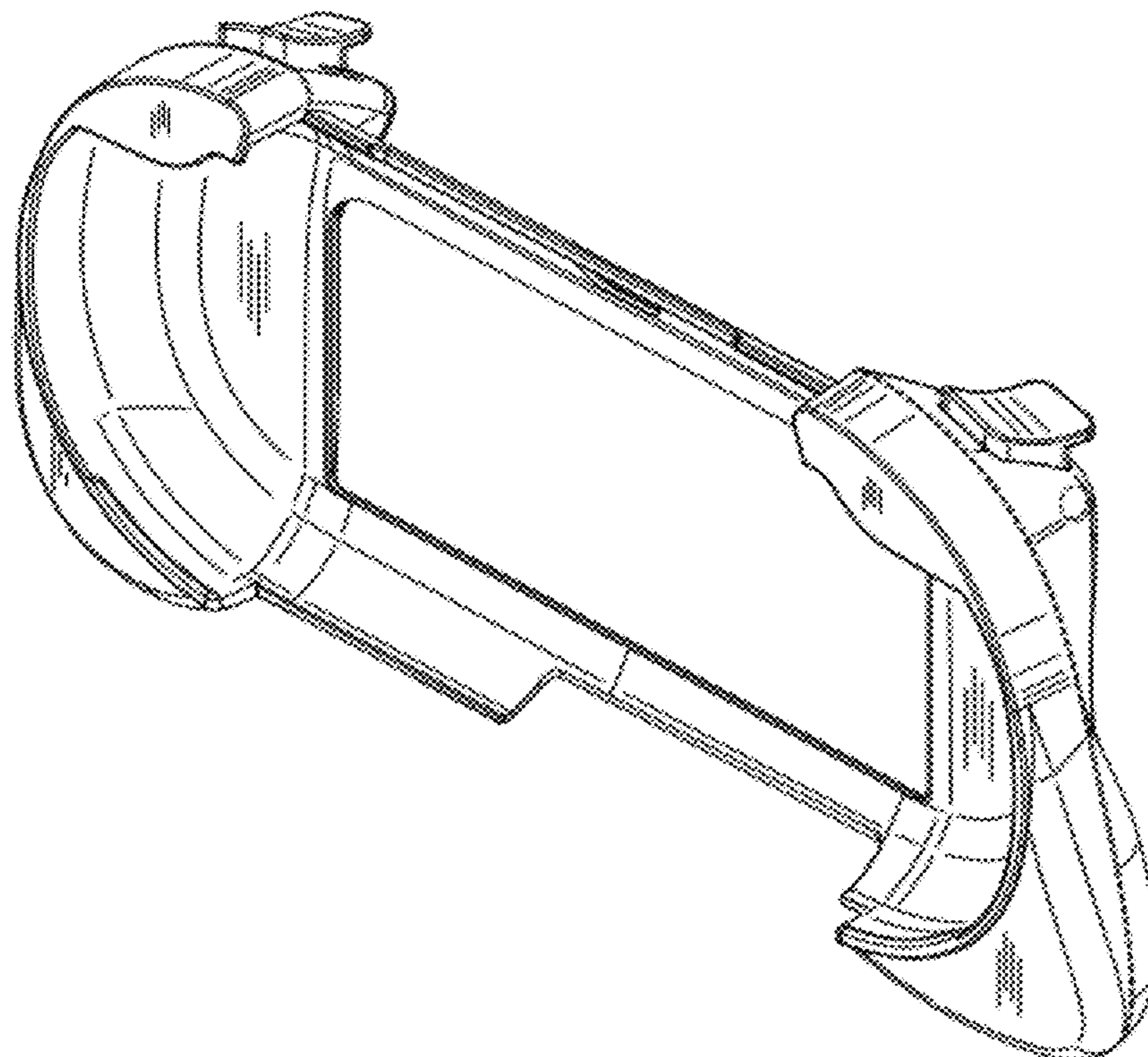
FIG. 5 is a bottom view thereof;

FIG. 6 is a side elevation view thereof; and,

FIG. 7 is another side elevation view thereof.

The broken lines illustrate portions of the gaming device
attachment that form no part of the claimed design.

1 Claim, 4 Drawing Sheets



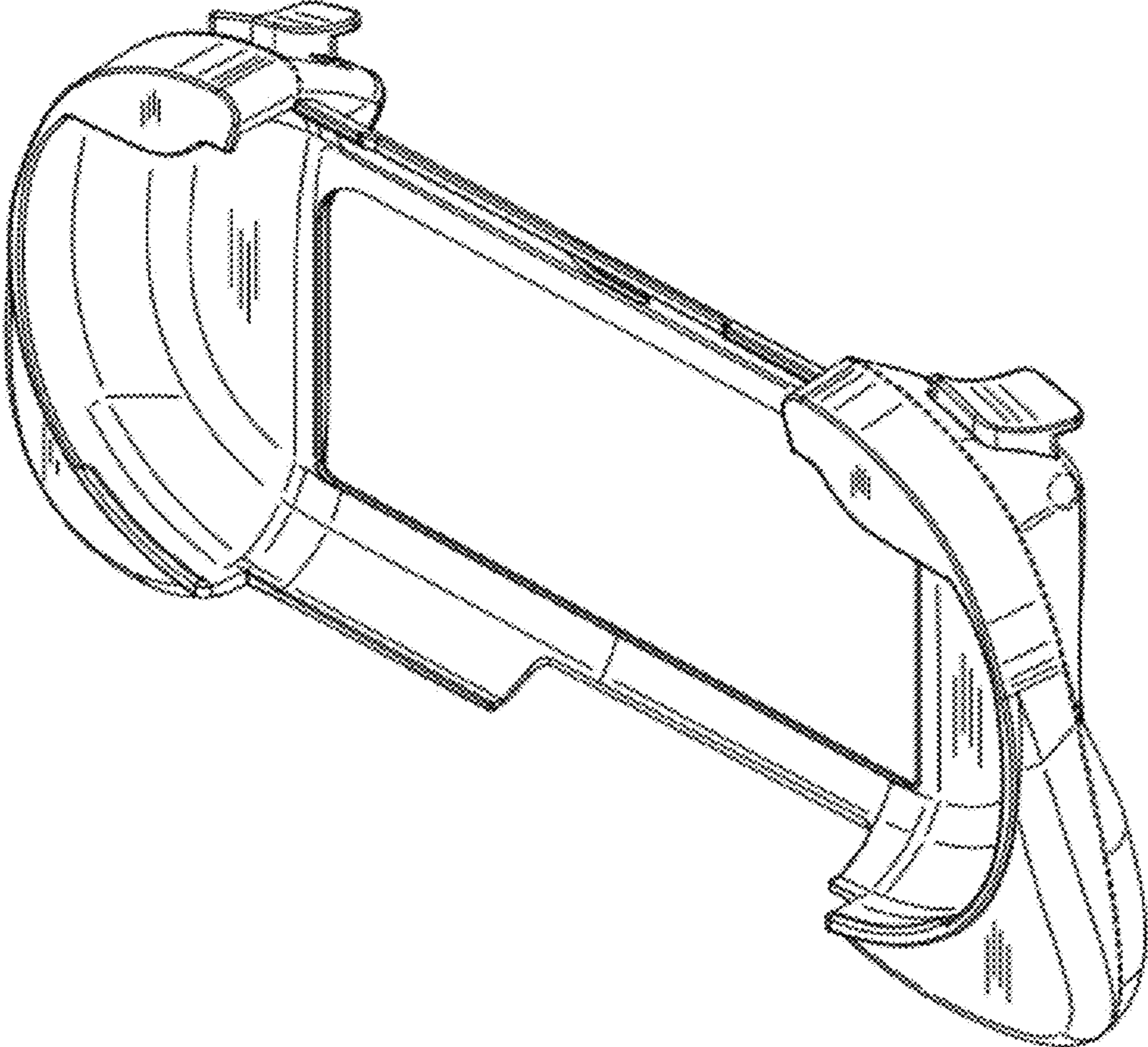


FIG. 1

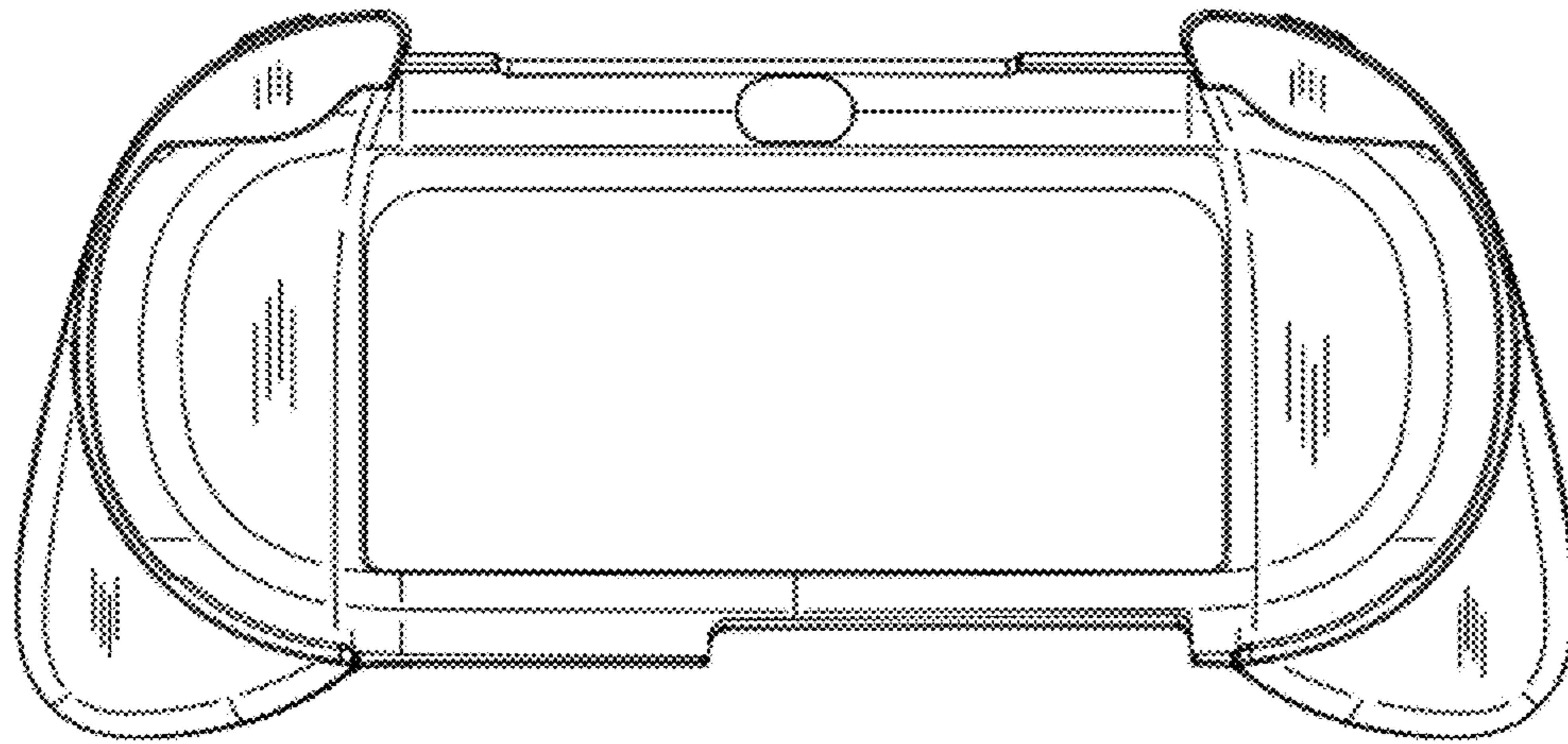


FIG. 2

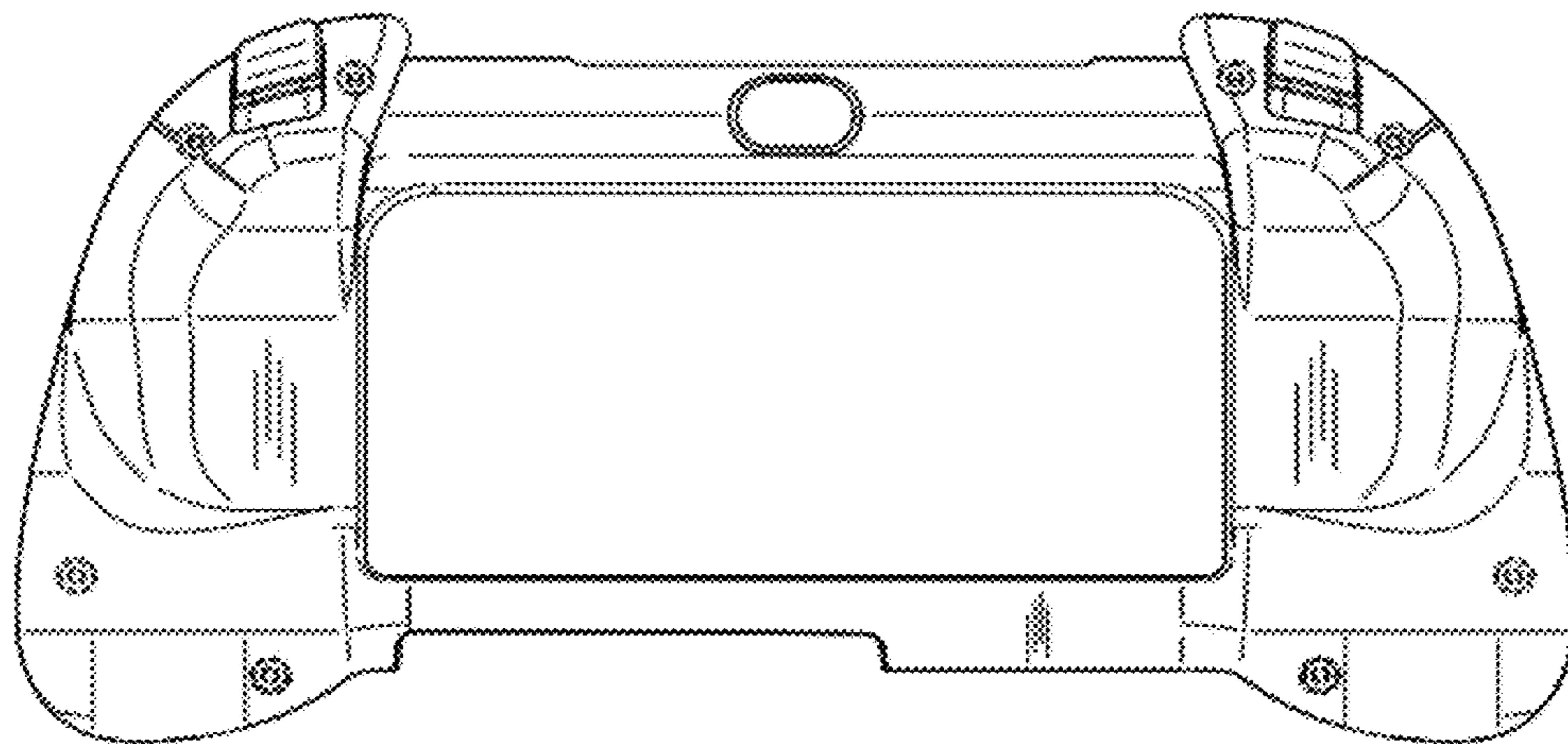


FIG. 3

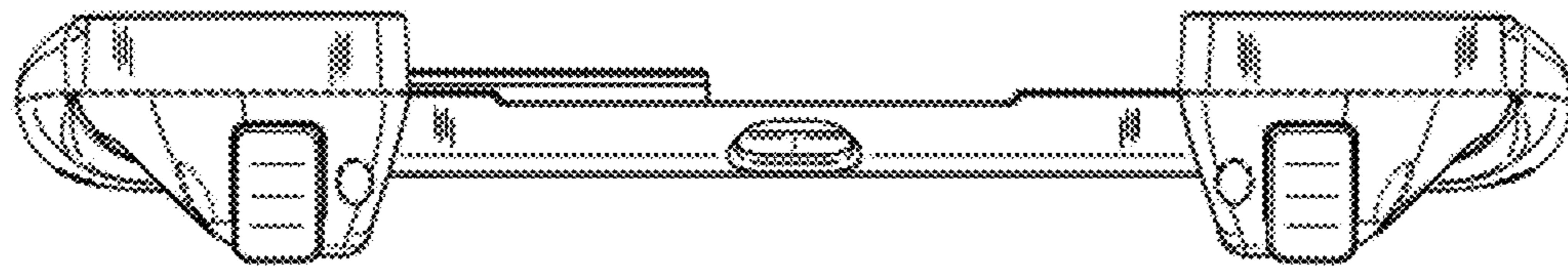


FIG. 4

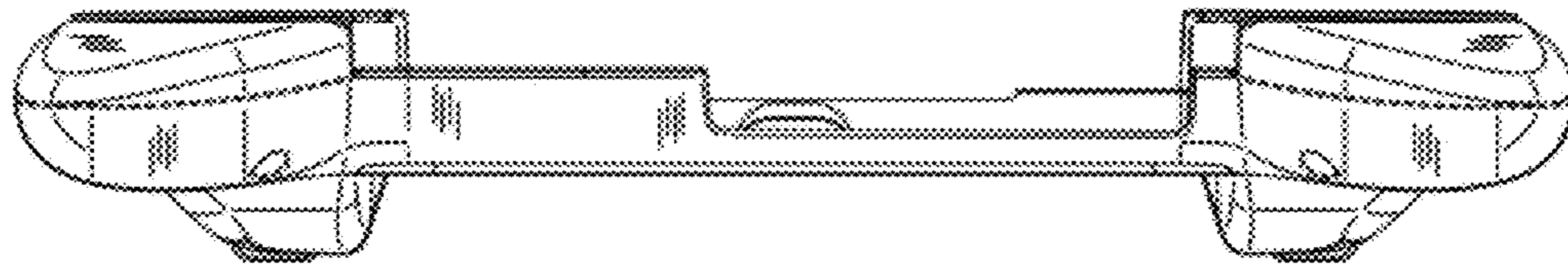


FIG. 5

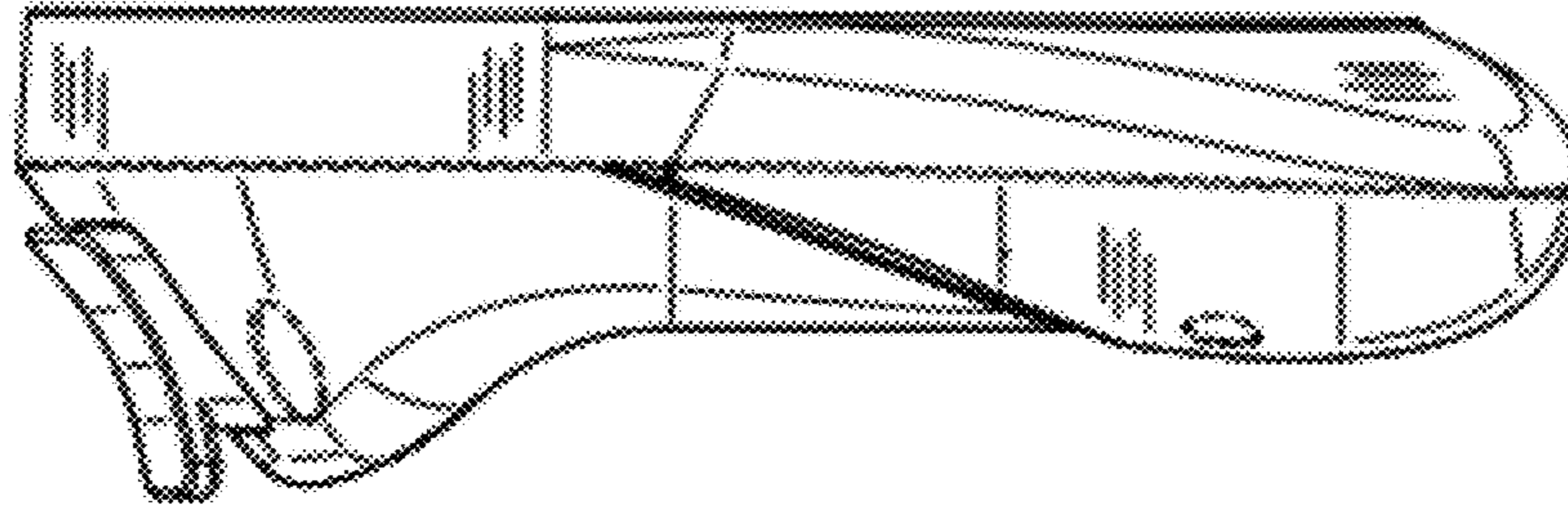


FIG. 6

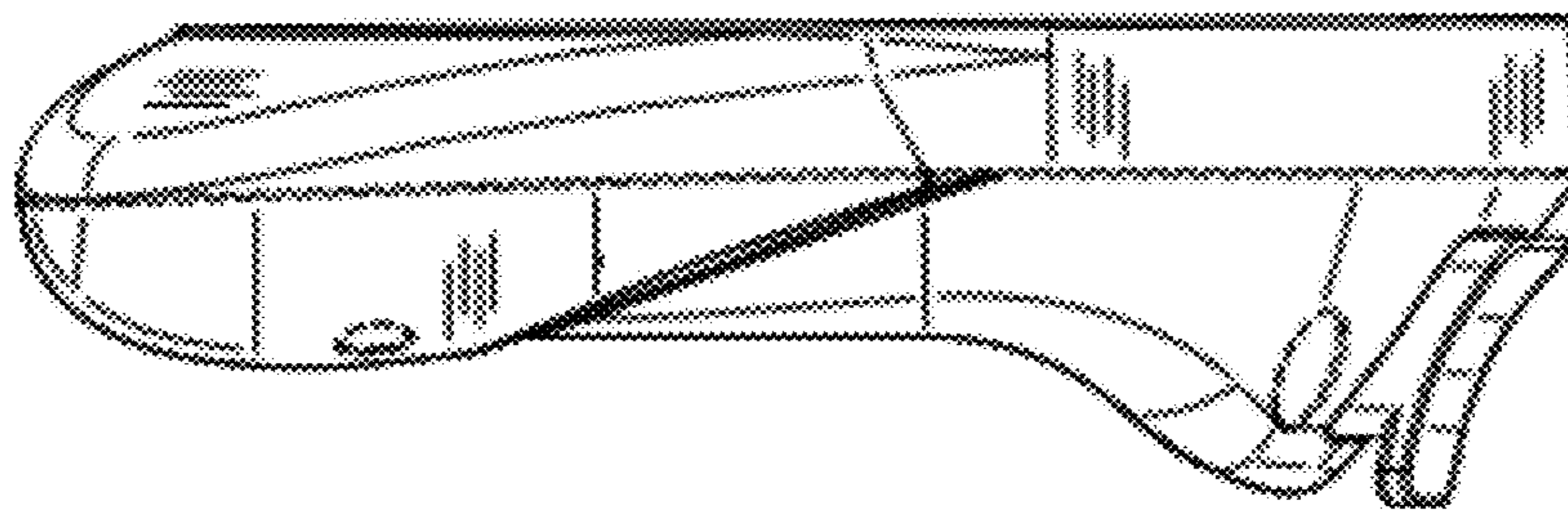


FIG. 7