



US00D666249S

(12) **United States Design Patent**  
**Minchella Jennings et al.**

(10) **Patent No.:** **US D666,249 S**  
(45) **Date of Patent:** **\*\* Aug. 28, 2012**

- (54) **VIDEO GAME SYSTEM COVER**
- (75) Inventors: **Alice Sebastian Minchella Jennings**,  
Los Angeles, CA (US); **Bradley M. Strahle**,  
Crestline, CA (US); **Simon Mingjen Huang**,  
San Gabriel, CA (US)
- (73) Assignee: **Performace Designed Products, LLC**,  
Sherman Oaks, CA (US)

(\*\*) Term: **14 Years**  
(21) Appl. No.: **29/394,692**

- (22) Filed: **Jun. 20, 2011**
- (51) **LOC (9) Cl.** ..... **21-01**
- (52) **U.S. Cl.** ..... **D21/333**
- (58) **Field of Classification Search** ..... **D21/324-333**,  
D21/385, 369; D3/218; 273/148 B; 345/156-161;  
463/1, 29-35, 46, 47; D14/432, 454, 496,  
D14/308, 349, 440, 441, 447; 206/320, 307  
See application file for complete search history.

(56) **References Cited**

**U.S. PATENT DOCUMENTS**

4,836,256	A *	6/1989	Meliconi	.....	206/523
D461,850	S *	8/2002	Hussaini et al.	.....	D21/333
6,932,341	B1 *	8/2005	Kenyon	.....	273/148 B
7,046,508	B2 *	5/2006	Lin	.....	361/679.59

7,193,165	B2 *	3/2007	Kawanobe et al.	.....	200/5 R
D542,855	S *	5/2007	Lim	.....	D21/333
7,499,284	B2 *	3/2009	Kawanobe et al.	.....	361/752
D598,502	S *	8/2009	Bonnaud	.....	D21/333
D624,129	S *	9/2010	Lim et al.	.....	D21/333
D624,601	S *	9/2010	Grossman	.....	D21/333
D631,098	S *	1/2011	Ashida et al.	.....	D21/333
D632,341	S *	2/2011	Lim et al.	.....	D21/333
D637,236	S *	5/2011	Lum et al.	.....	D21/333

\* cited by examiner

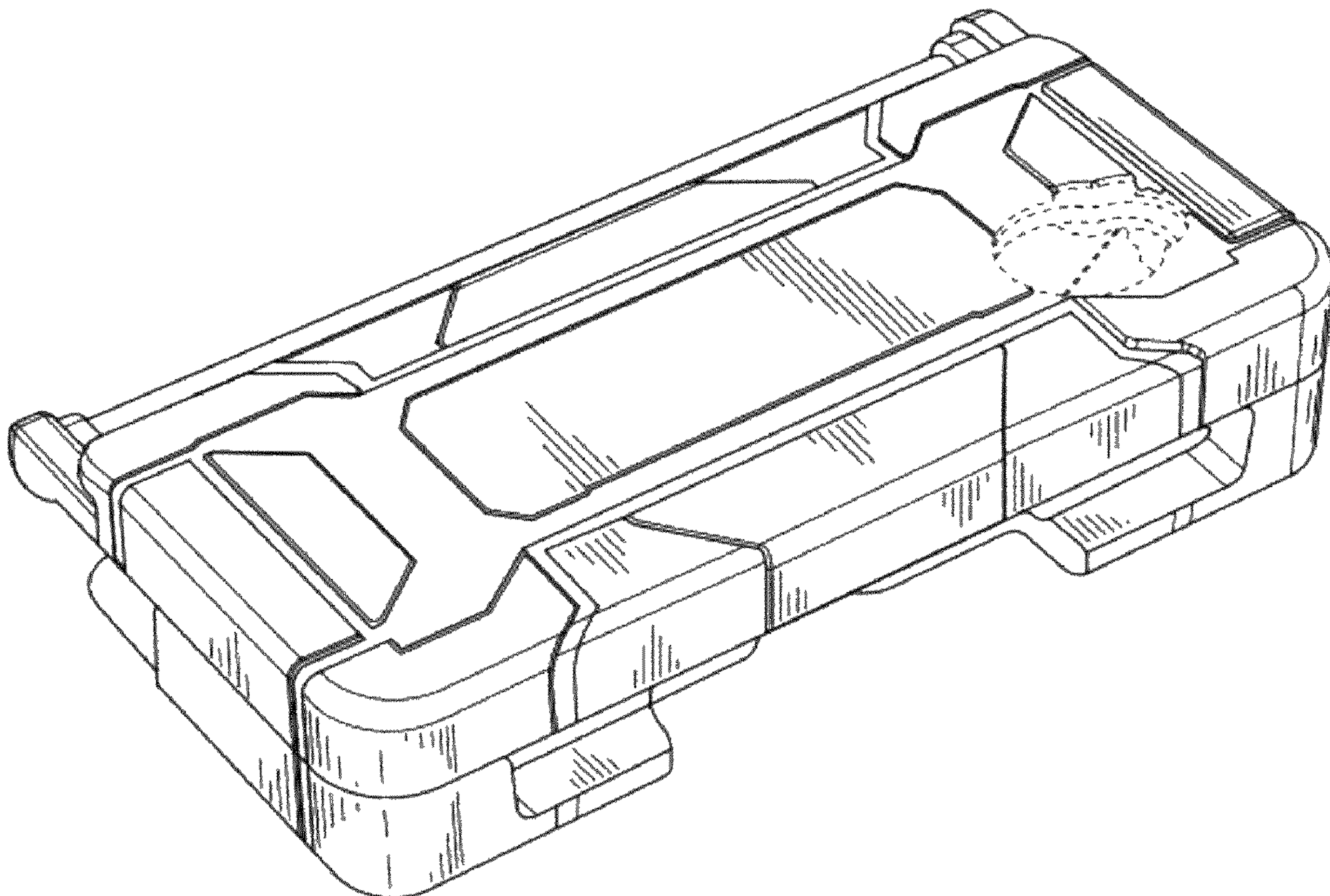
*Primary Examiner* — Prabhakar Deshmukh  
(74) *Attorney, Agent, or Firm* — Sheppard Mullin Richter & Hampton LLP

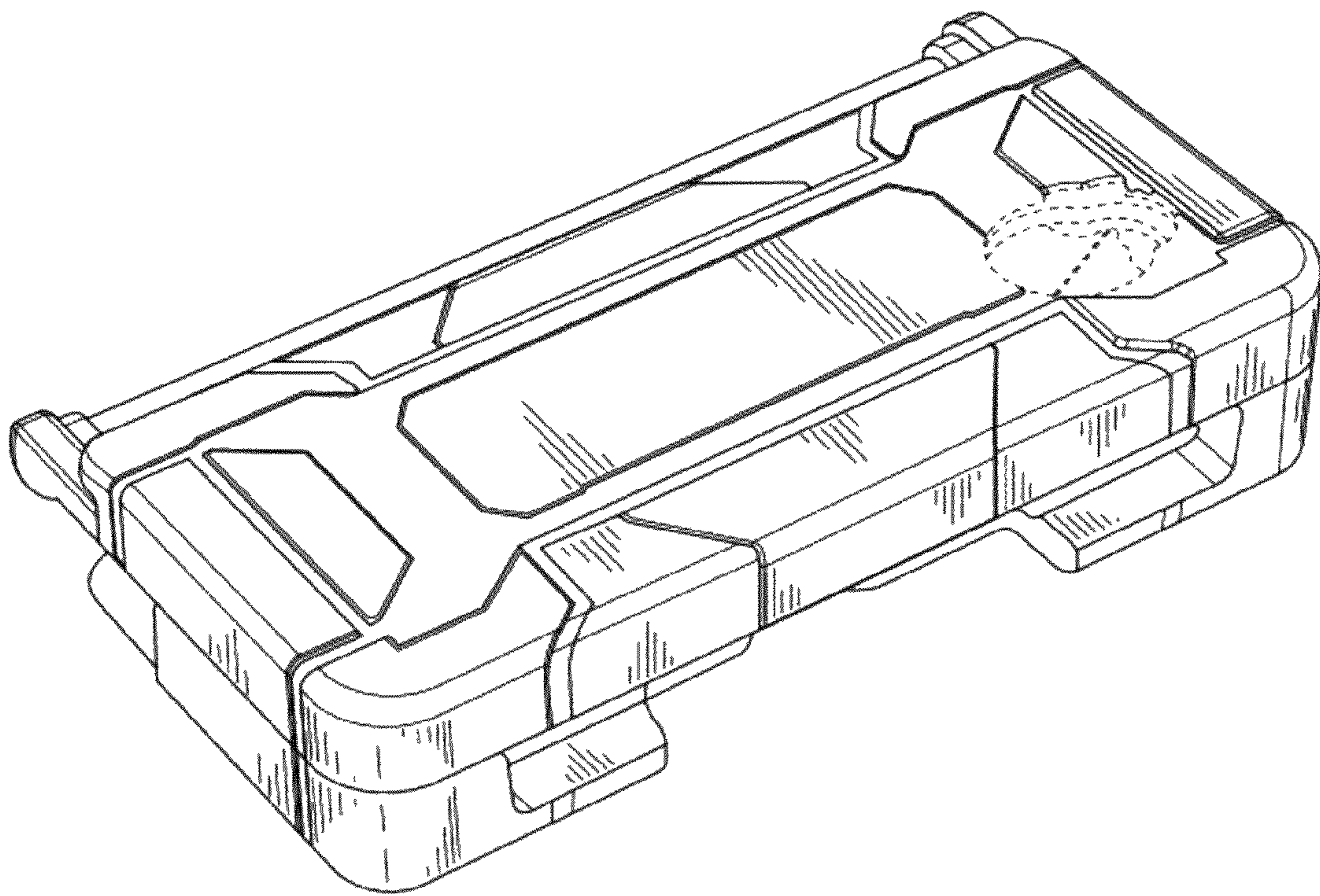
(57) **CLAIM**  
We claim the ornamental design for a video game system cover, as shown and described.

**DESCRIPTION**

FIG. 1 is a perspective view of a video game system cover embodying the new design;  
FIG. 2 is a front elevation view thereof;  
FIG. 3 is a rear elevation view thereof;  
FIG. 4 is a right side view thereof;  
FIG. 5 is a left side view thereof;  
FIG. 6 is a top plan view thereof; and,  
FIG. 7 is a bottom plan view thereof.  
The broken lines illustrate portions of the video game system cover that form no part of the claimed design.

**1 Claim, 4 Drawing Sheets**





**FIG. 1**

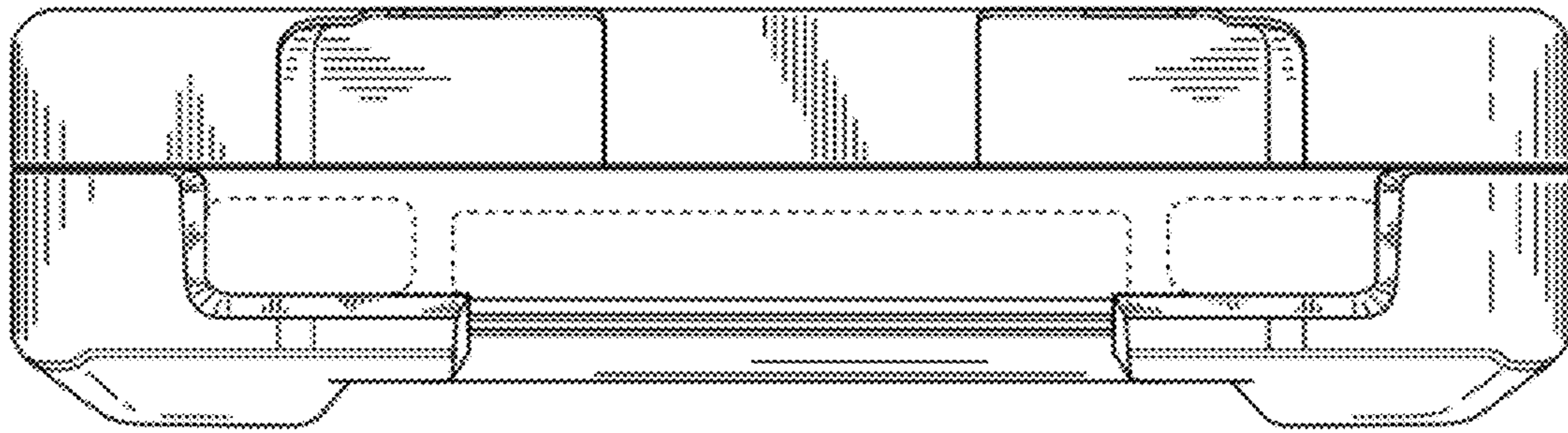


FIG. 2

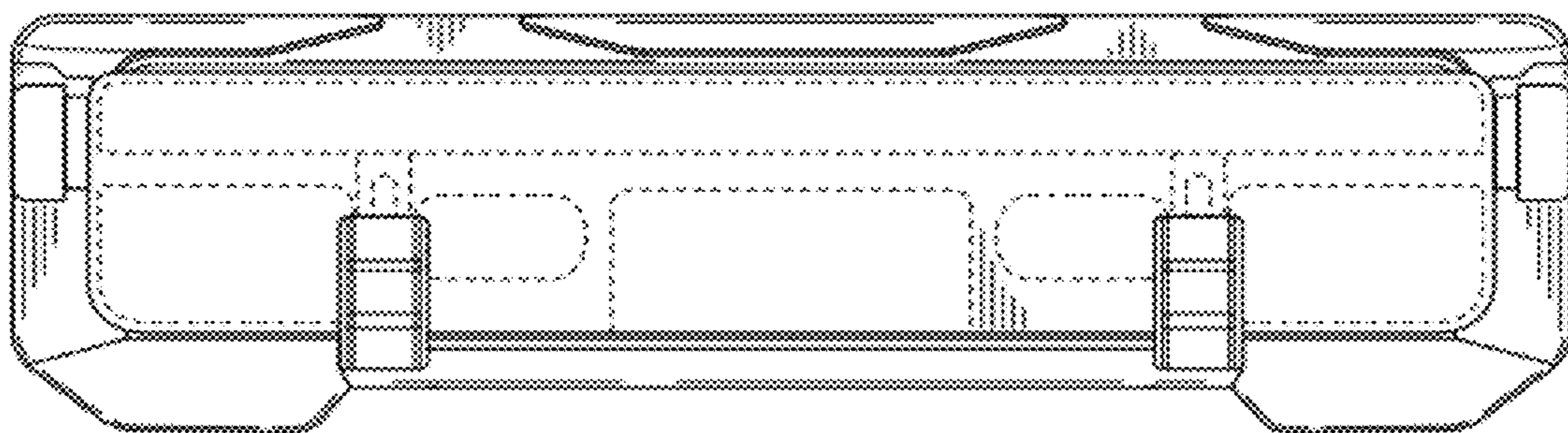
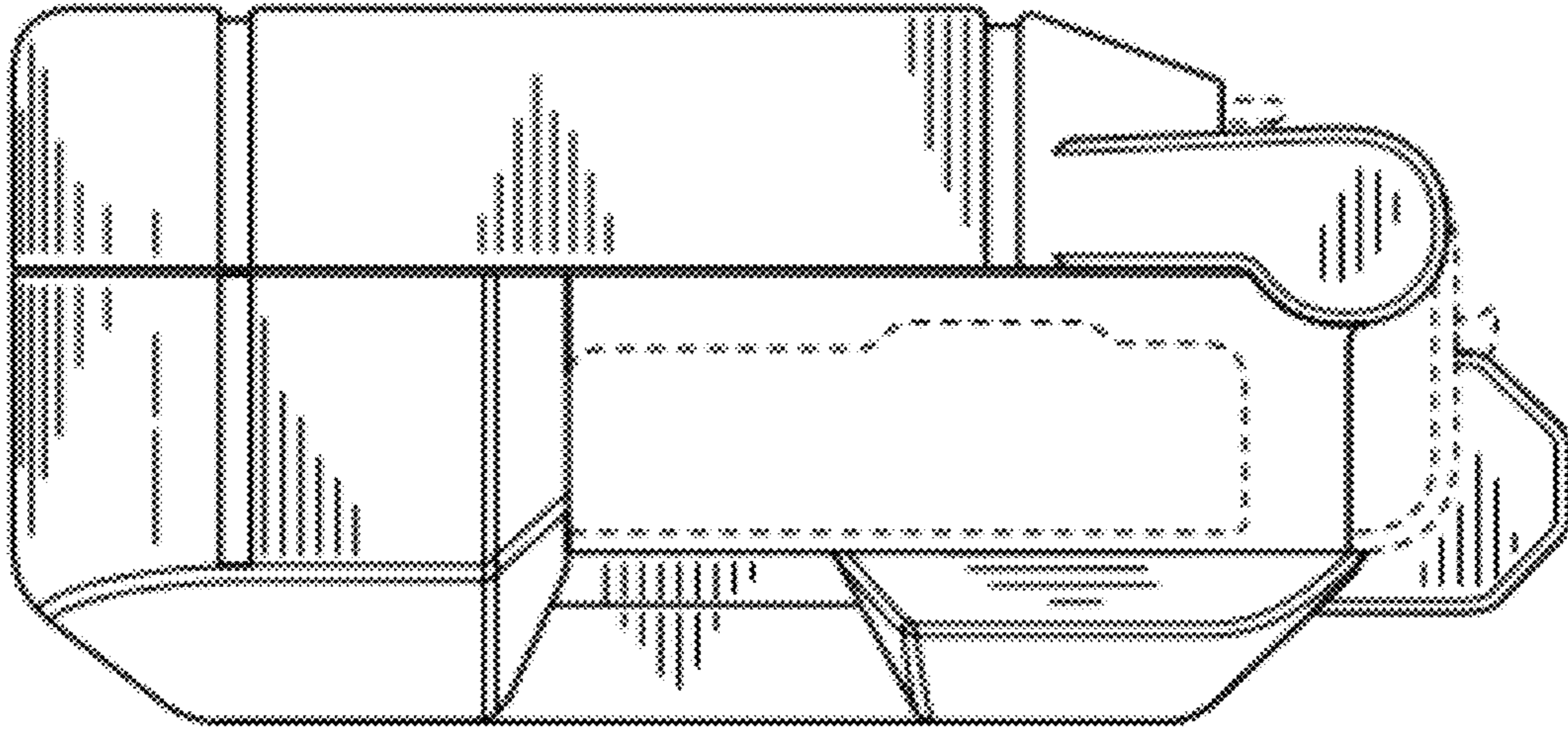
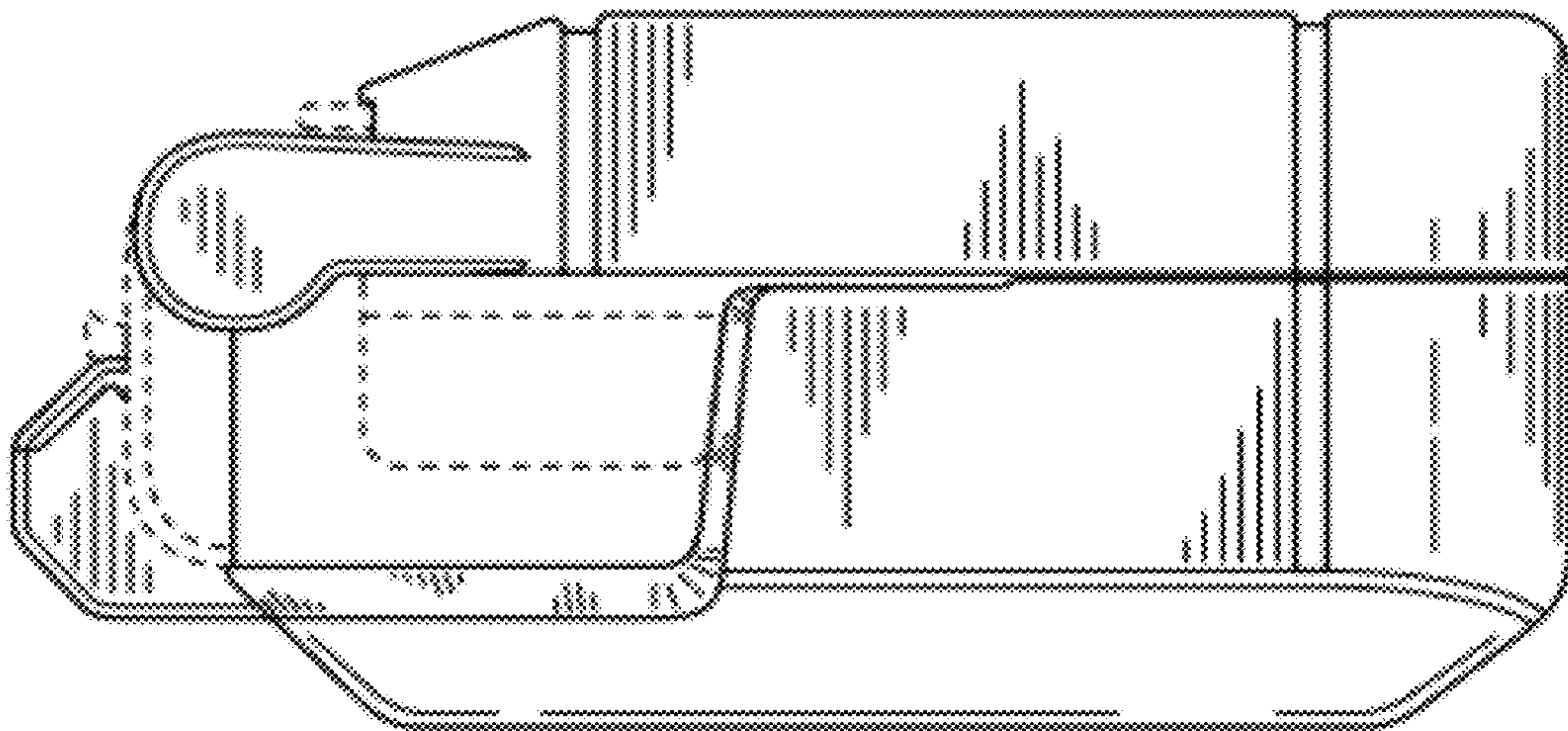


FIG. 3



**FIG. 4**



**FIG. 5**

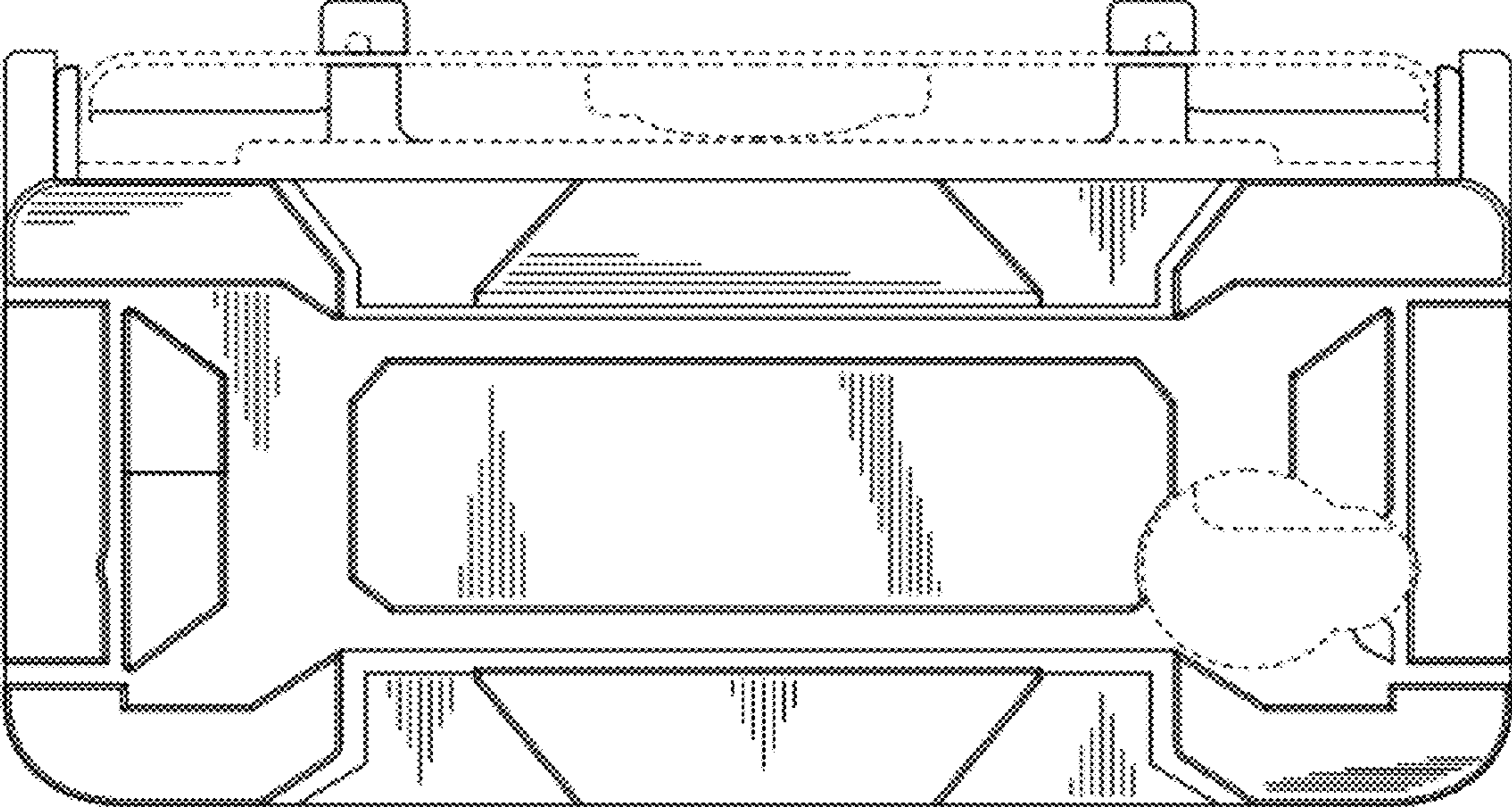


FIG. 6

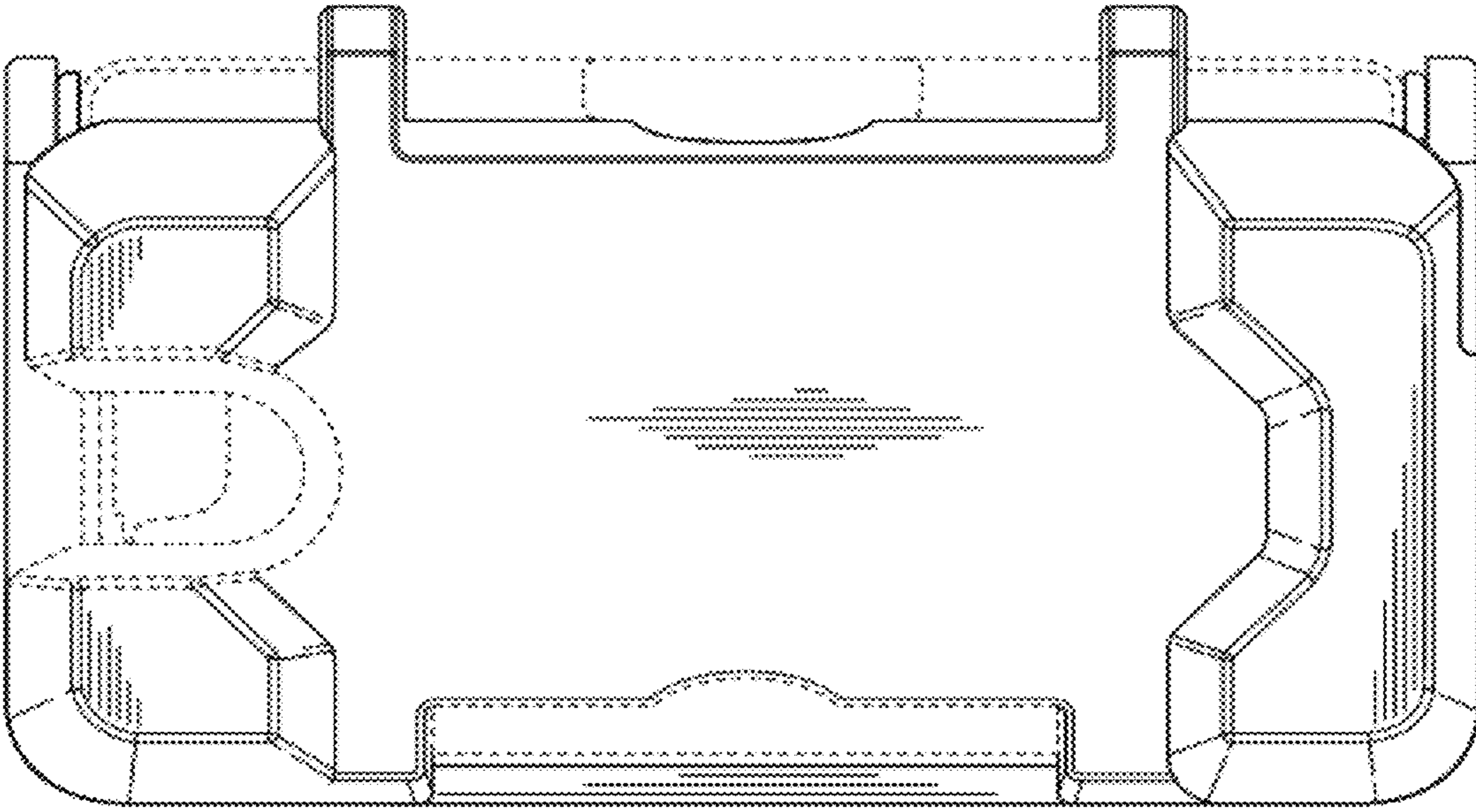


FIG. 7