



US00D666248S

(12) **United States Design Patent**  
**Karacal et al.**

(10) **Patent No.:** **US D666,248 S**

(45) **Date of Patent:** **\*\* Aug. 28, 2012**

(54) **GUN HANDLE VIDEO GAME CONTROLLER ACCESSORY**

D607,515 S \* 1/2010 Oikawa et al. .... D21/333  
D614,624 S \* 4/2010 Zhang ..... D14/418  
D618,288 S \* 6/2010 Kay et al. .... D21/333

(75) Inventors: **Ozhan Karacal**, Pokfulam (HK);  
**Christopher F. Richards**, Fountain Hills, AZ (US)

\* cited by examiner

(73) Assignee: **Performance Designed Products, LLC**,  
Sherman Oaks, CA (US)

*Primary Examiner* — Prabhakar Deshmukh

(74) *Attorney, Agent, or Firm* — Sheppard Mullin Richter & Hampton LLP

(\*\*) Term: **14 Years**

(57) **CLAIM**

We claim the ornamental design for a gun handle video game controller accessory, as shown and described.

(21) Appl. No.: **29/393,553**

**DESCRIPTION**

(22) Filed: **Jun. 6, 2011**

(51) **LOC (9) Cl.** ..... **21-01**

(52) **U.S. Cl.** ..... **D21/333; D14/418**

(58) **Field of Classification Search** ..... D14/399–402,  
D14/418, 496; D21/324, 328, 333, 573,  
D21/575; 273/148 B, 440, 459, 460; 463/1,  
463/30–36, 46, 47; 345/156, 161; 434/16,  
434/18, 19, 20, 24

See application file for complete search history.

FIG. 1 is a left side elevation view of a gun handle video game controller accessory showing our new design, attached with a video game controller shown in broken lines;

FIG. 2 is a front elevation view of FIG. 1;

FIG. 3 is a rear elevation view of FIG. 1;

FIG. 4 is a bottom plan view of FIG. 1;

FIG. 5 is front elevation view thereof, shown without a video game controller and its battery cover;

FIG. 6 is right side elevation view of FIG. 5;

FIG. 7 is rear elevation view of FIG. 5;

FIG. 8 is left side elevation view of FIG. 5;

FIG. 9 is bottom plan view of FIG. 5;

FIG. 10 is a top plan view of FIG. 5;

FIG. 11 is a top perspective view thereof, shown with a video game controller battery cover shown in broken lines; and,

FIG. 12 is right side view of FIG. 1.

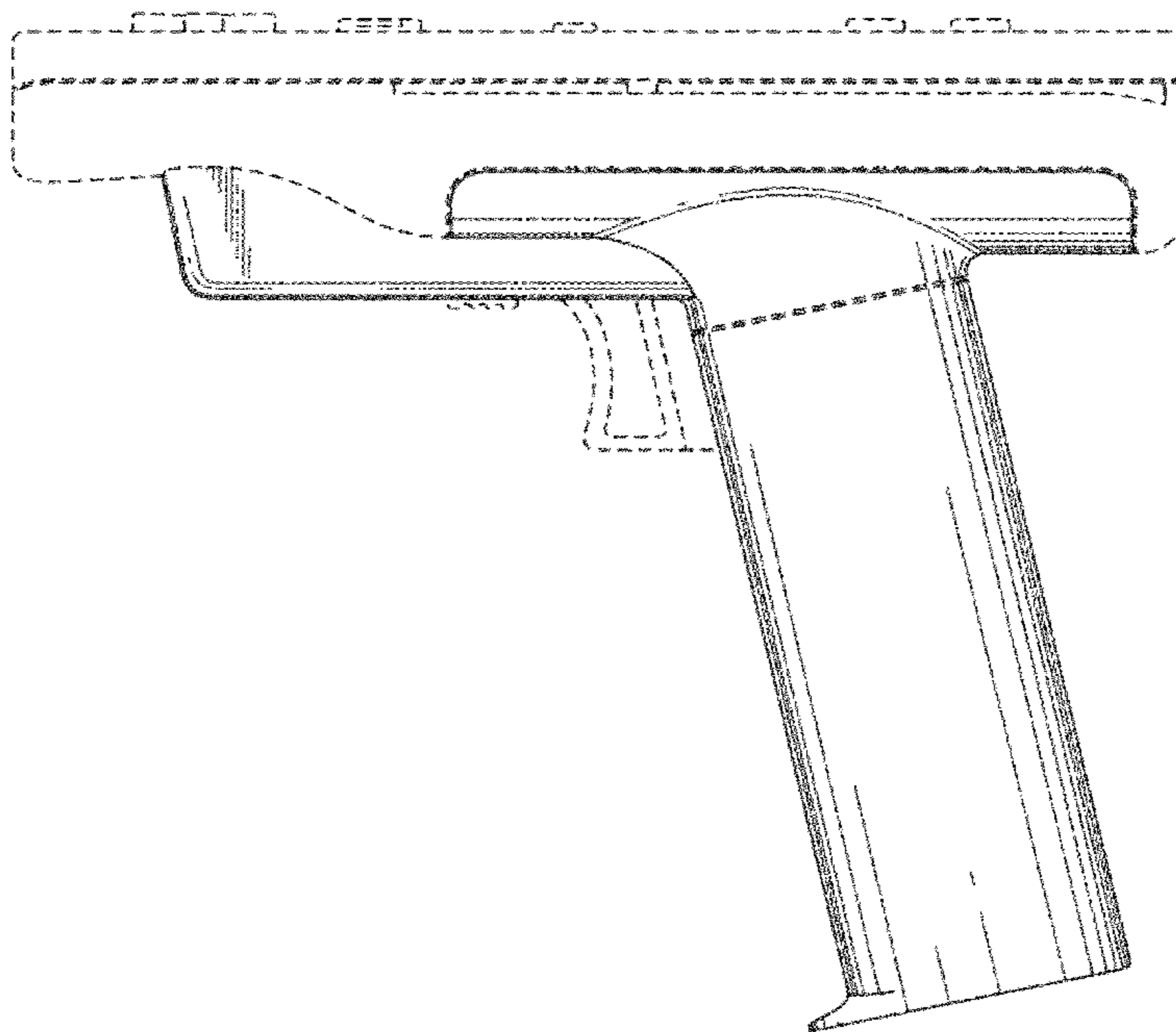
The broken lines environment showing a video game controller and its battery cover are for illustrative purpose. Other broken lines indicate disclaimed portions of the design. None of the broken lines form part of the claimed design.

(56) **References Cited**

U.S. PATENT DOCUMENTS

3,655,192 A \* 4/1972 Hall et al. .... 463/51  
4,811,955 A \* 3/1989 De Bernardini ..... 463/51  
5,253,068 A \* 10/1993 Crook et al. .... 348/734  
5,569,085 A \* 10/1996 Igarashi et al. .... 463/49  
D436,108 S \* 1/2001 Lee ..... D14/418  
6,328,650 B1 \* 12/2001 Fukawa et al. .... 463/36  
6,902,483 B2 \* 6/2005 Lin ..... 463/37  
D541,806 S \* 5/2007 Wada ..... D14/418  
D568,882 S \* 5/2008 Ashida et al. .... D14/400

**1 Claim, 8 Drawing Sheets**



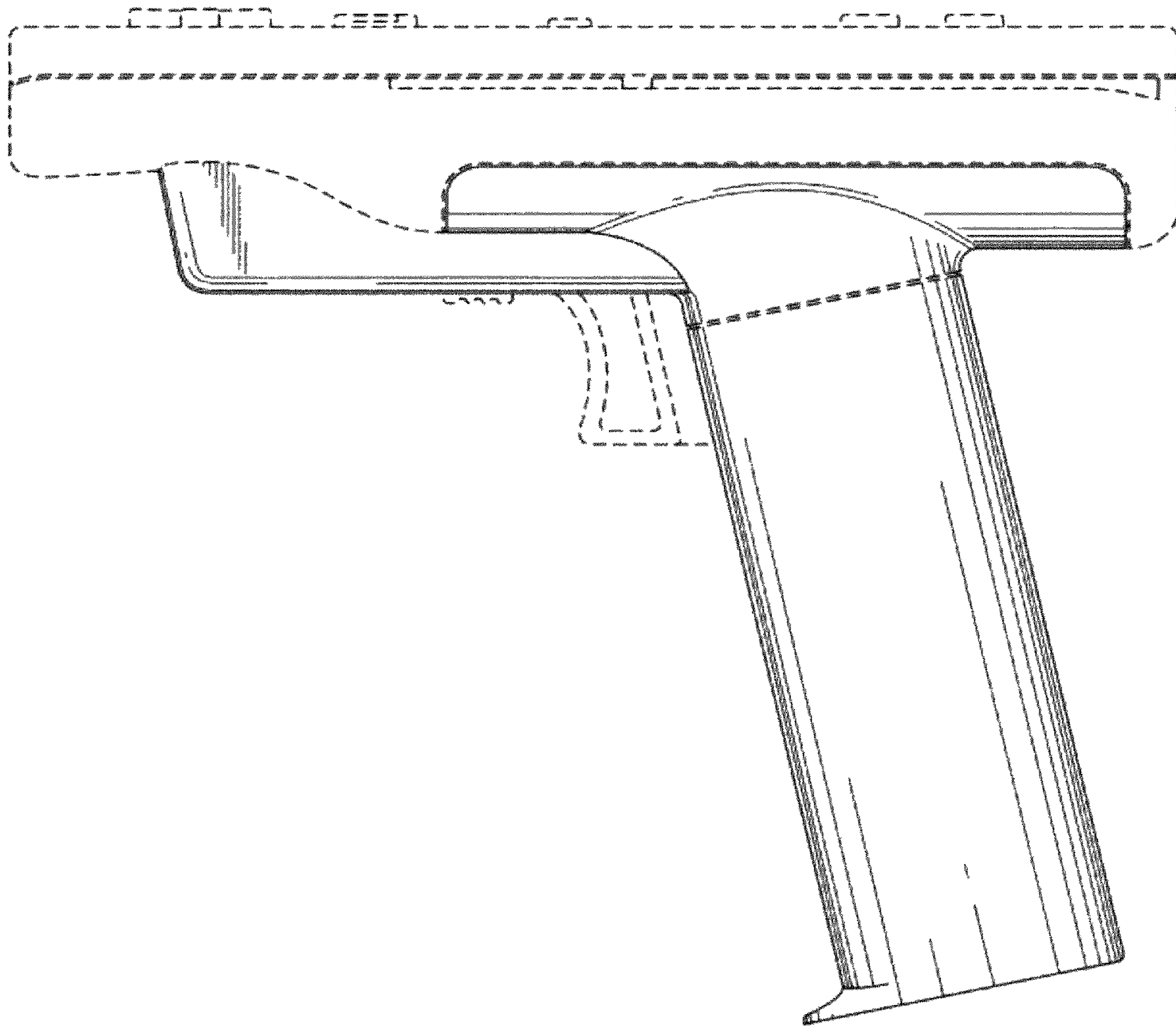
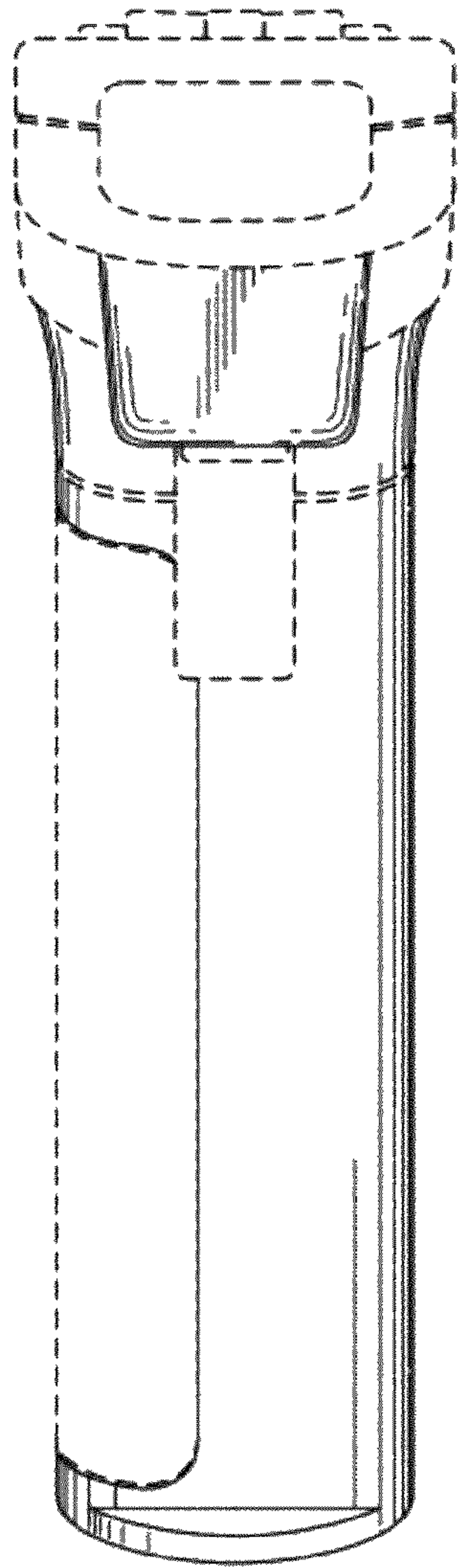
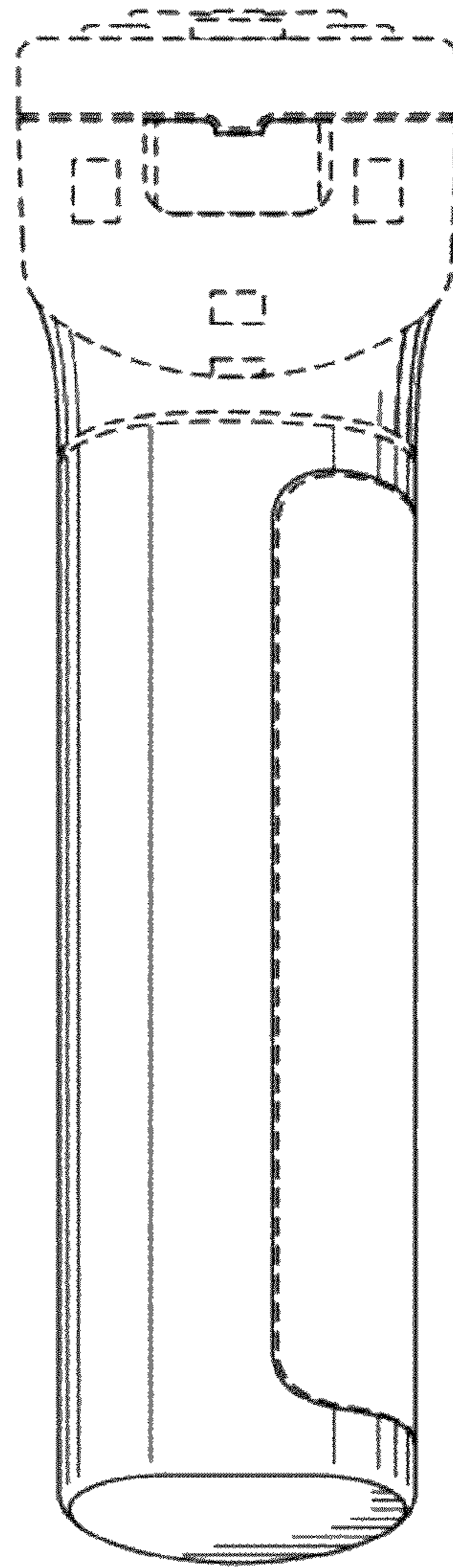


FIG. 1



**FIG. 2**



**FIG. 3**

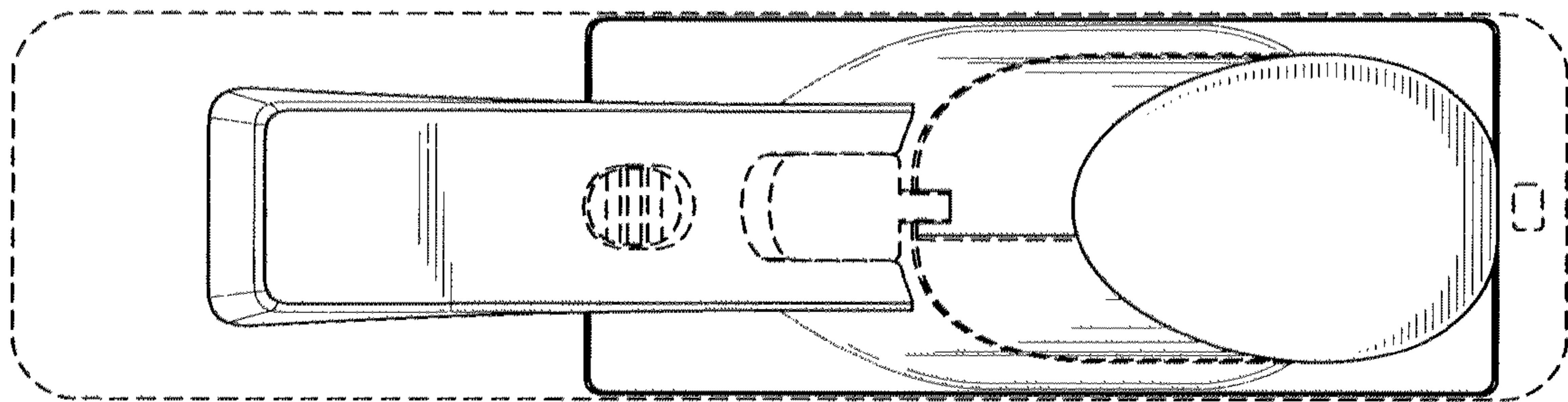


FIG. 4

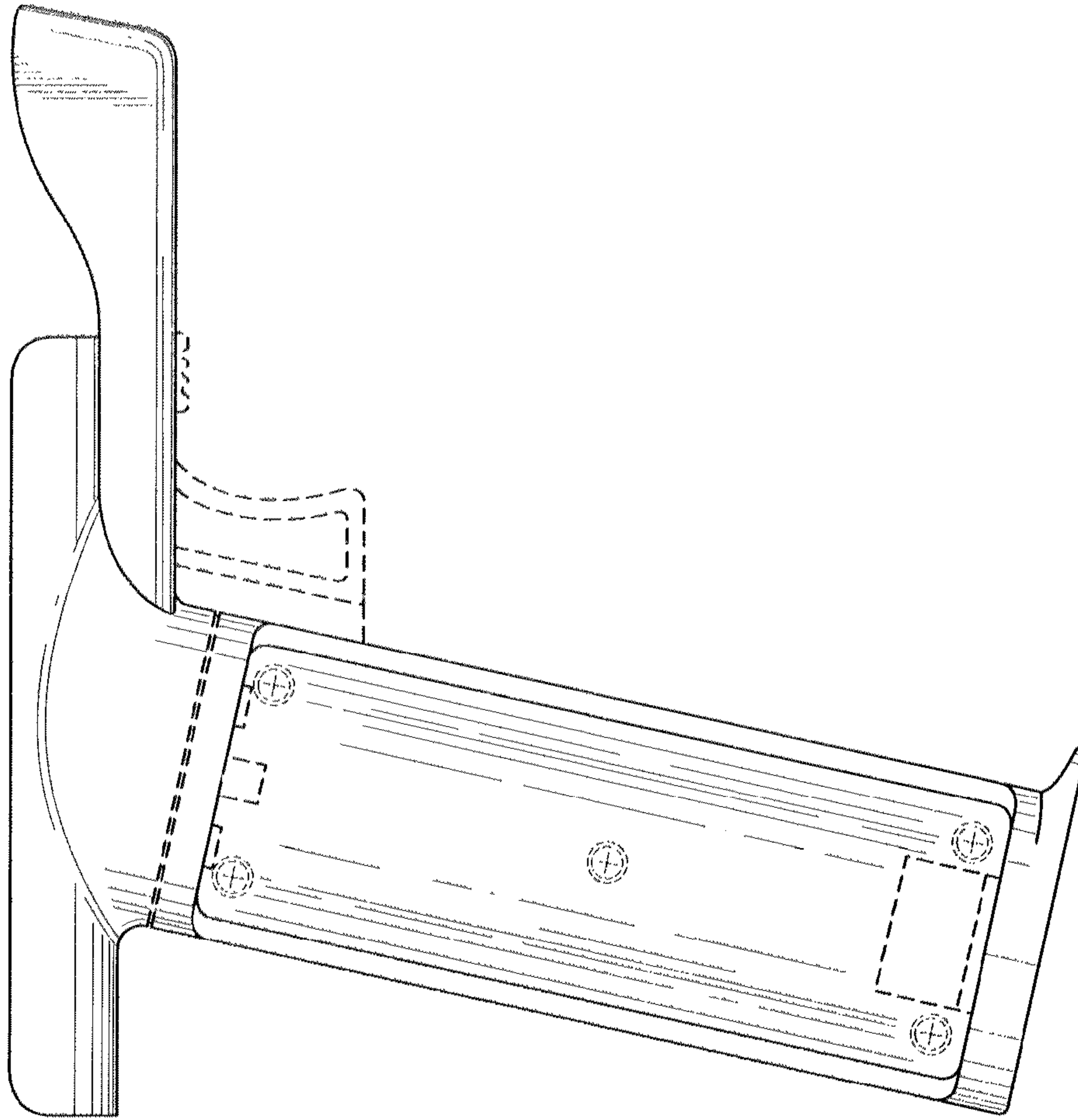


FIG. 6

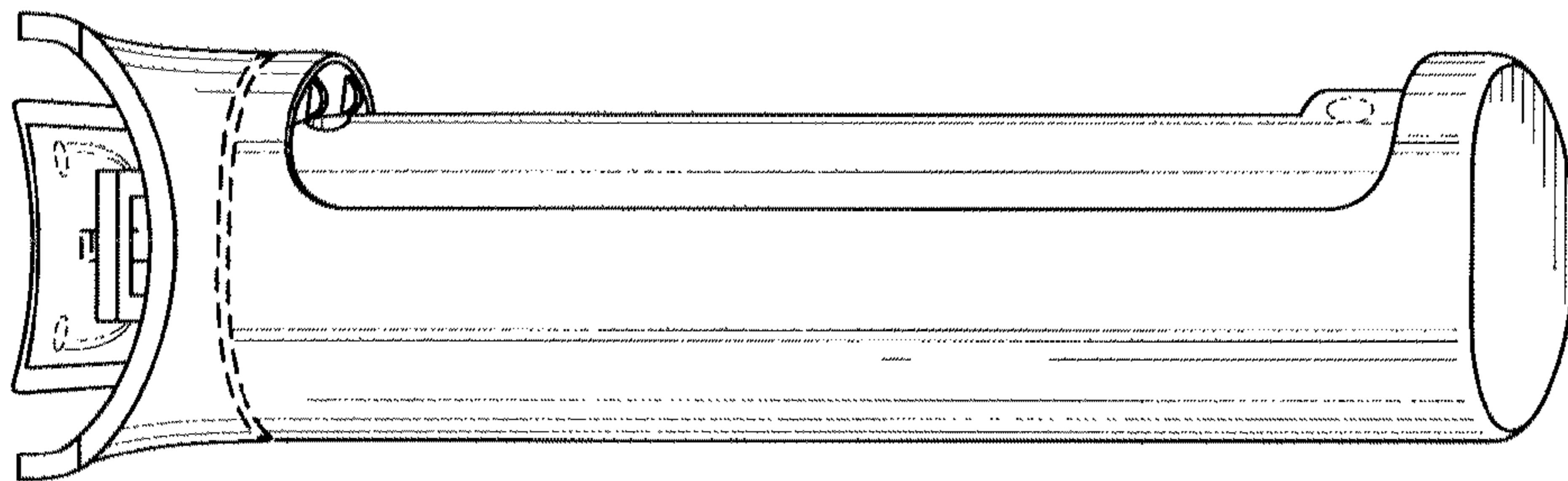


FIG. 5

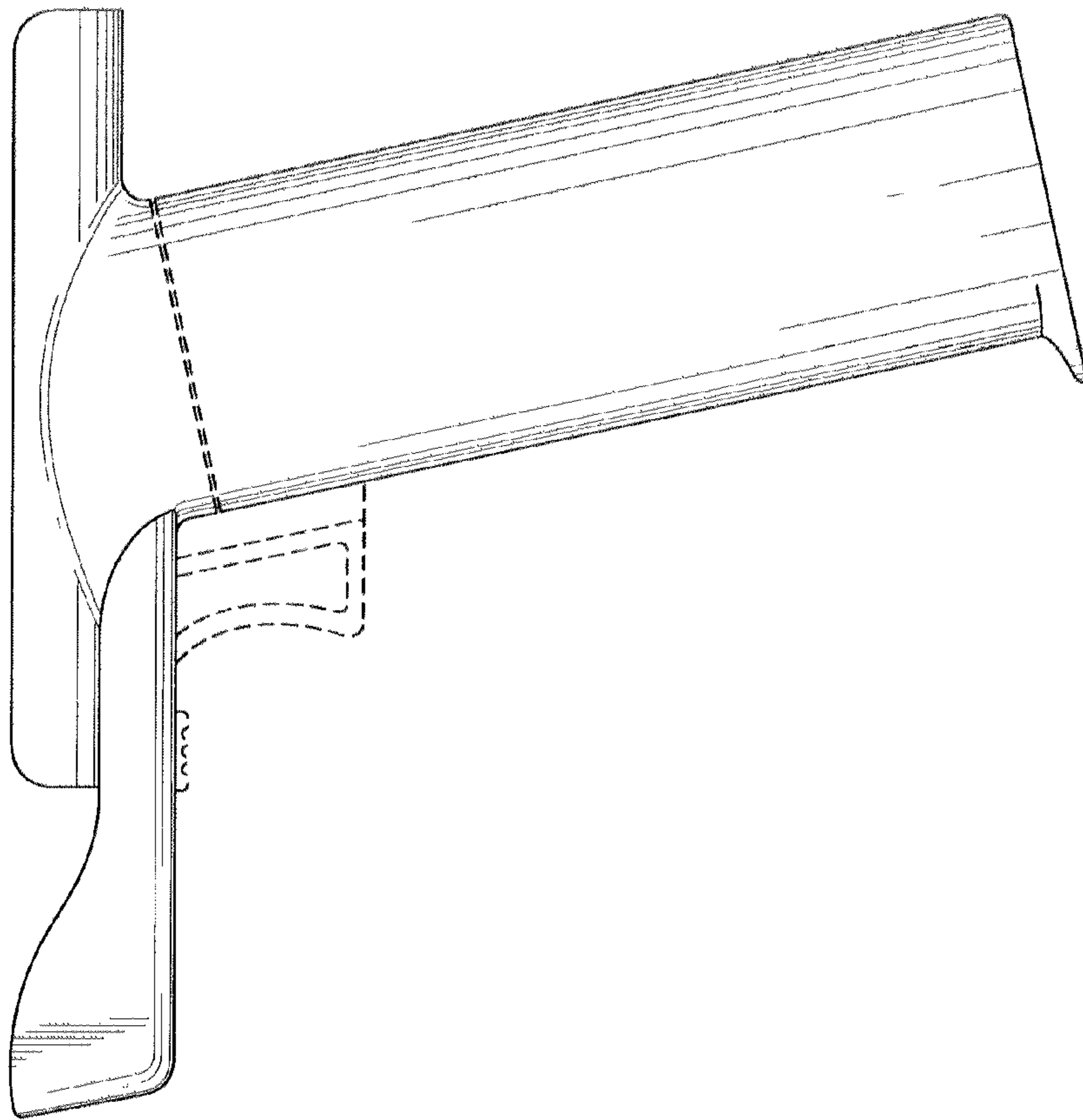


FIG. 7

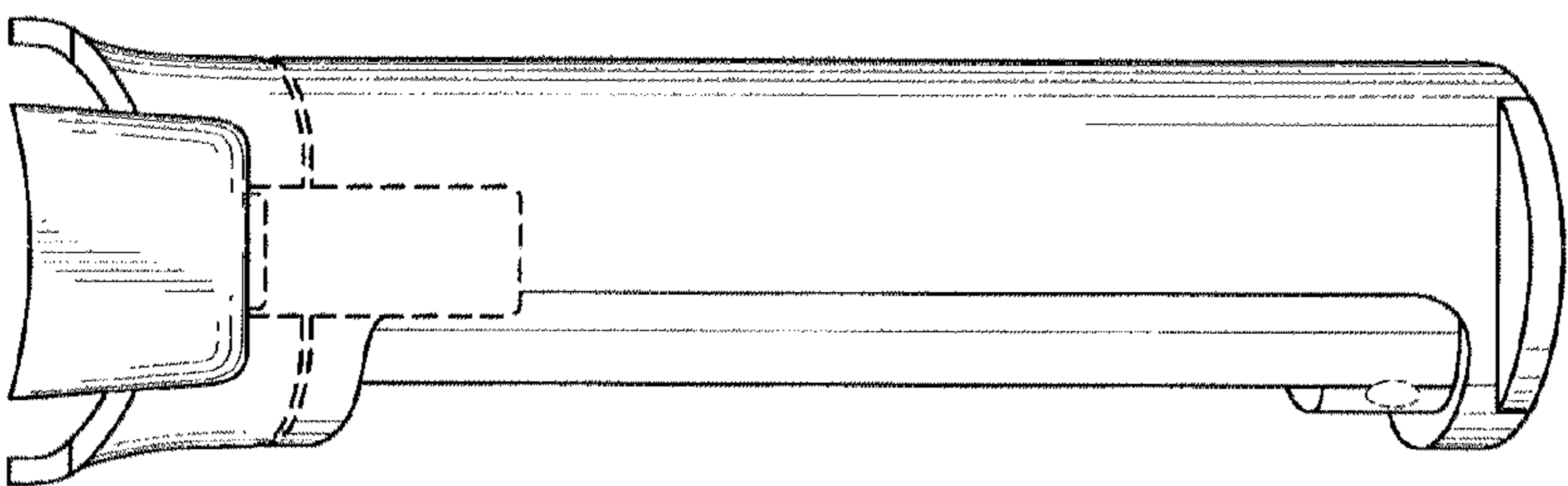


FIG. 8

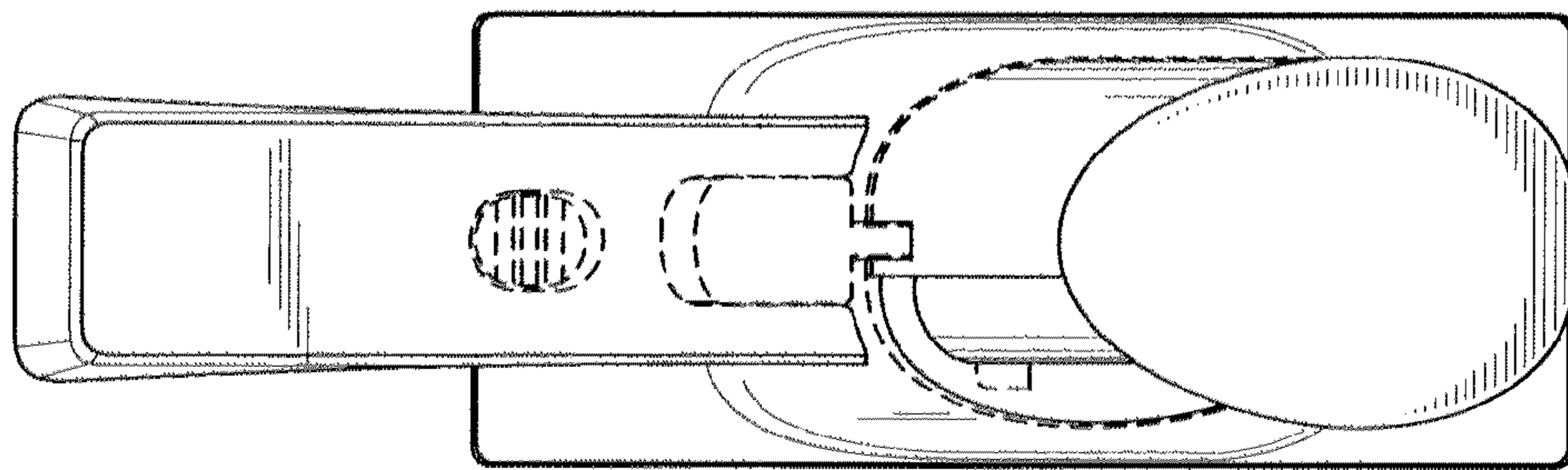


FIG. 9

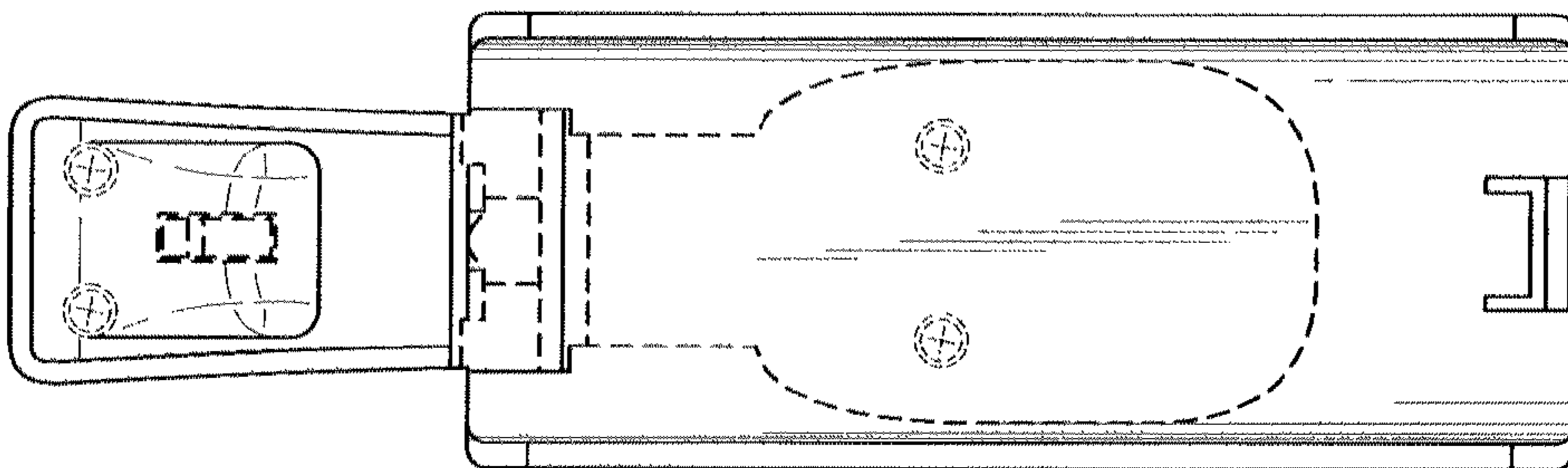


FIG. 10

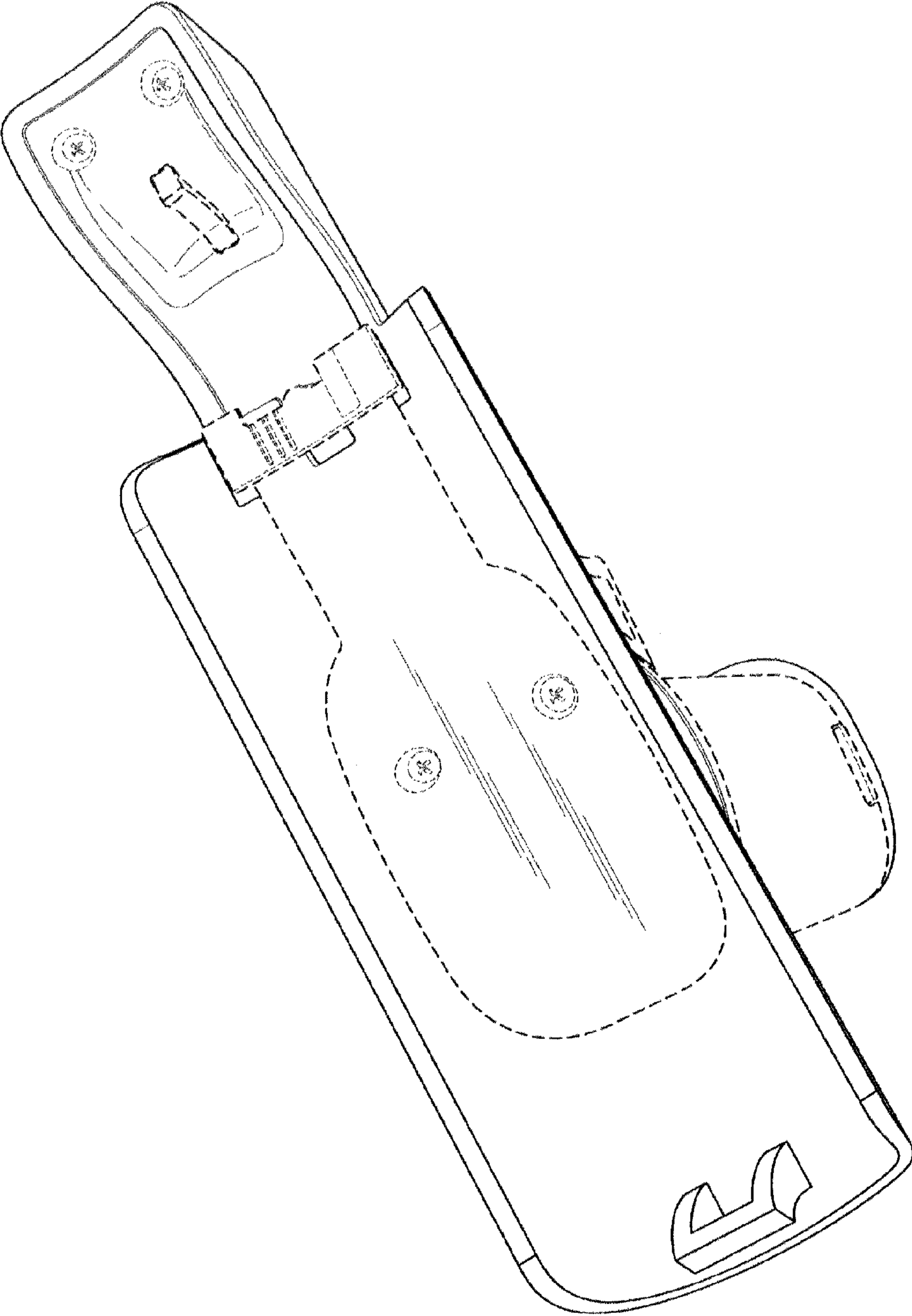


FIG. 11



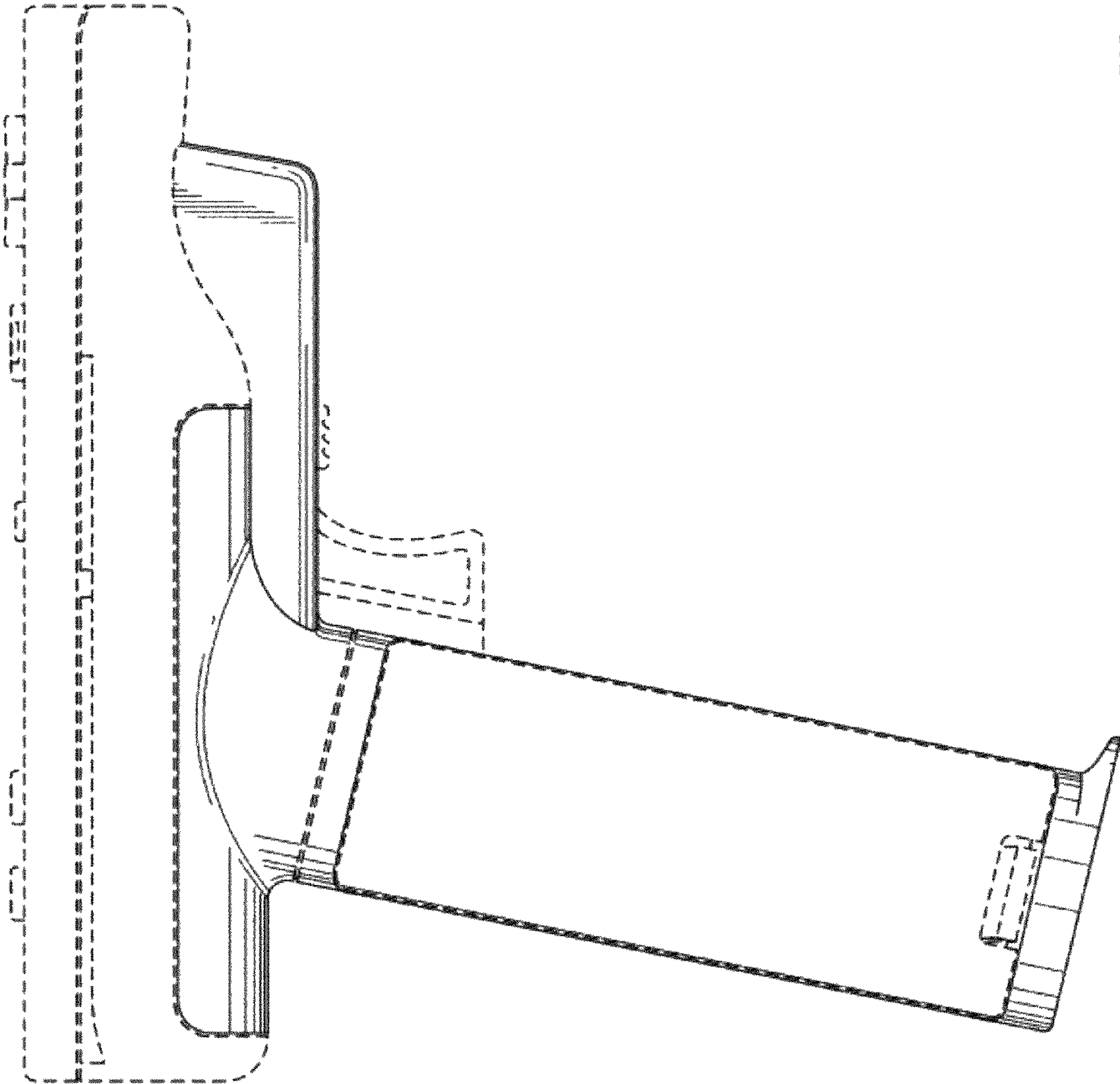


FIG. 12