



US00D666247S

(12) **United States Design Patent**
Fox

(10) **Patent No.:** **US D666,247 S**

(45) **Date of Patent:** **** Aug. 28, 2012**

(54) **GAME BOARD**

(75) Inventor: **Dermot Fox**, Aughrim (IE)

(73) Assignee: **Fox Concepts Limited**, Aughrim (IE)

(**) Term: **14 Years**

(21) Appl. No.: **29/374,274**

(22) Filed: **Jul. 21, 2011**

(51) **LOC (9) Cl.** **21-01**

(52) **U.S. Cl.** **D21/318**

(58) **Field of Classification Search** D21/318,
D21/312, 314, 338; 273/108, 108.1, 110,
273/236, 277, 284, 285, 287

See application file for complete search history.

(56) **References Cited**

U.S. PATENT DOCUMENTS

D245,718 S *	9/1977	Maloney, II	D21/318
D303,684 S *	9/1989	Matsumoto et al.	D21/318
5,074,556 A *	12/1991	Loeppky et al.	273/108.5
D347,245 S *	5/1994	Cecchetti	D21/318
5,312,109 A *	5/1994	Cagle	473/446
D410,700 S *	6/1999	Herlitz et al.	D21/318
D477,637 S *	7/2003	Zucchi et al.	D21/318
7,147,225 B2 *	12/2006	Navarro	273/242
7,204,487 B1 *	4/2007	Pohl	273/108.5
D556,834 S *	12/2007	Coleman et al.	D21/318
7,389,987 B1 *	6/2008	Paukert	273/108.1
D604,772 S *	11/2009	Tower et al.	D21/318

* cited by examiner

Primary Examiner — Prabhakar Deshmukh

(74) *Attorney, Agent, or Firm* — Mark Clodfelter

(57) **CLAIM**

I claim the ornamental design for a game board, substantially as shown and described.

DESCRIPTION

FIG. 1 is a perspective view of a game board showing my new design;

FIG. 2 is a front elevational view thereof, the rear elevational view being a mirror image thereof;

FIG. 3 is a sectional view thereof, taken along line 3-3 of FIG. 5;

FIG. 4 is a left side elevational view thereof, the right side elevational view being a mirror image thereof;

FIG. 5 is atop plan view thereof;

FIG. 6 is a perspective view of a second embodiment of a game board;

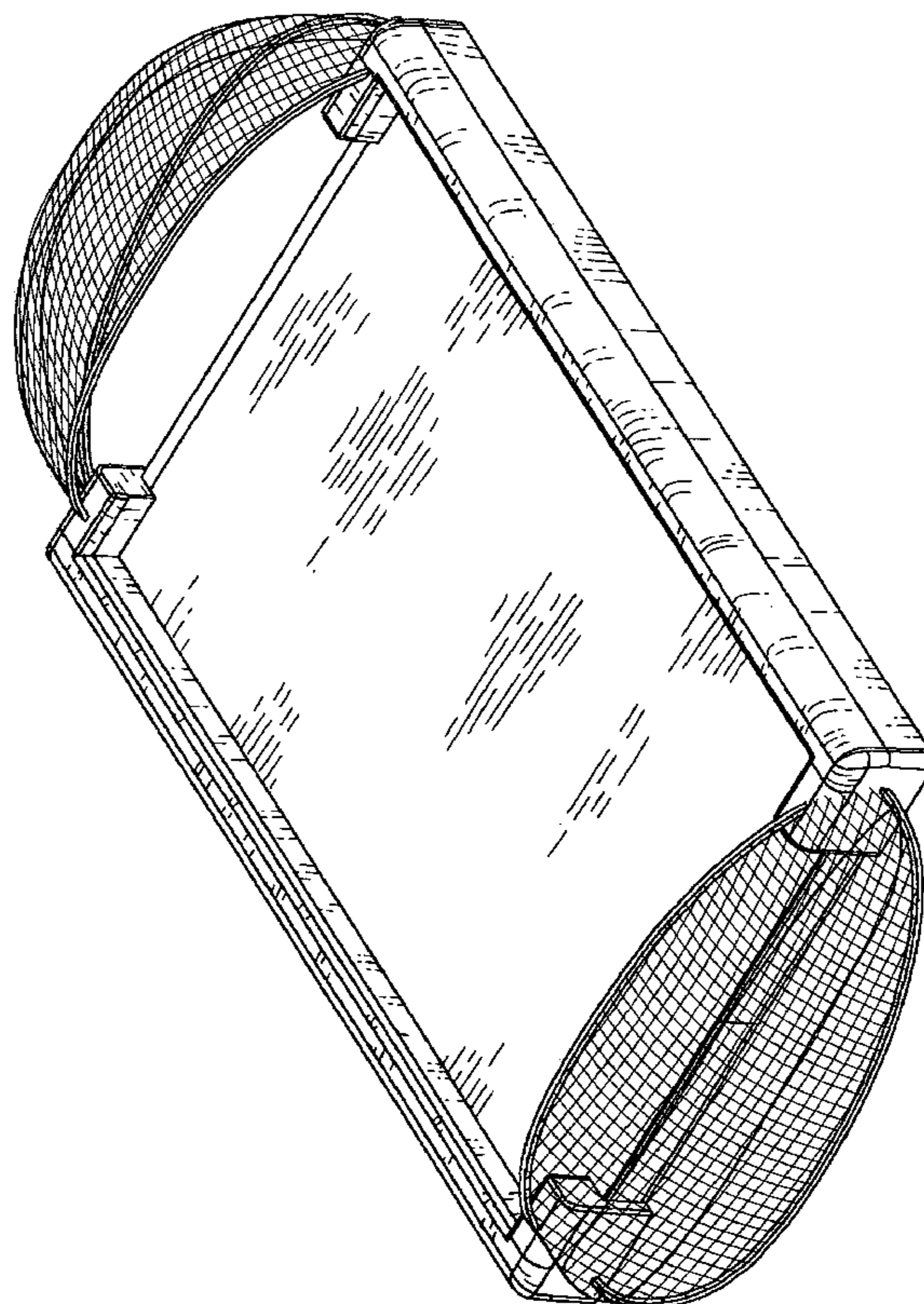
FIG. 7 is a front elevational view FIG. 6; the rear elevational view being a mirror image thereof;

FIG. 8 is a sectional view thereof, taken along line 8-8 of FIG. 10;

FIG. 9 is a left side elevational view of FIG. 6, the right side elevational view being a mirror image thereof; and,

FIG. 10 is a top plan view FIG. 6.

1 Claim, 10 Drawing Sheets



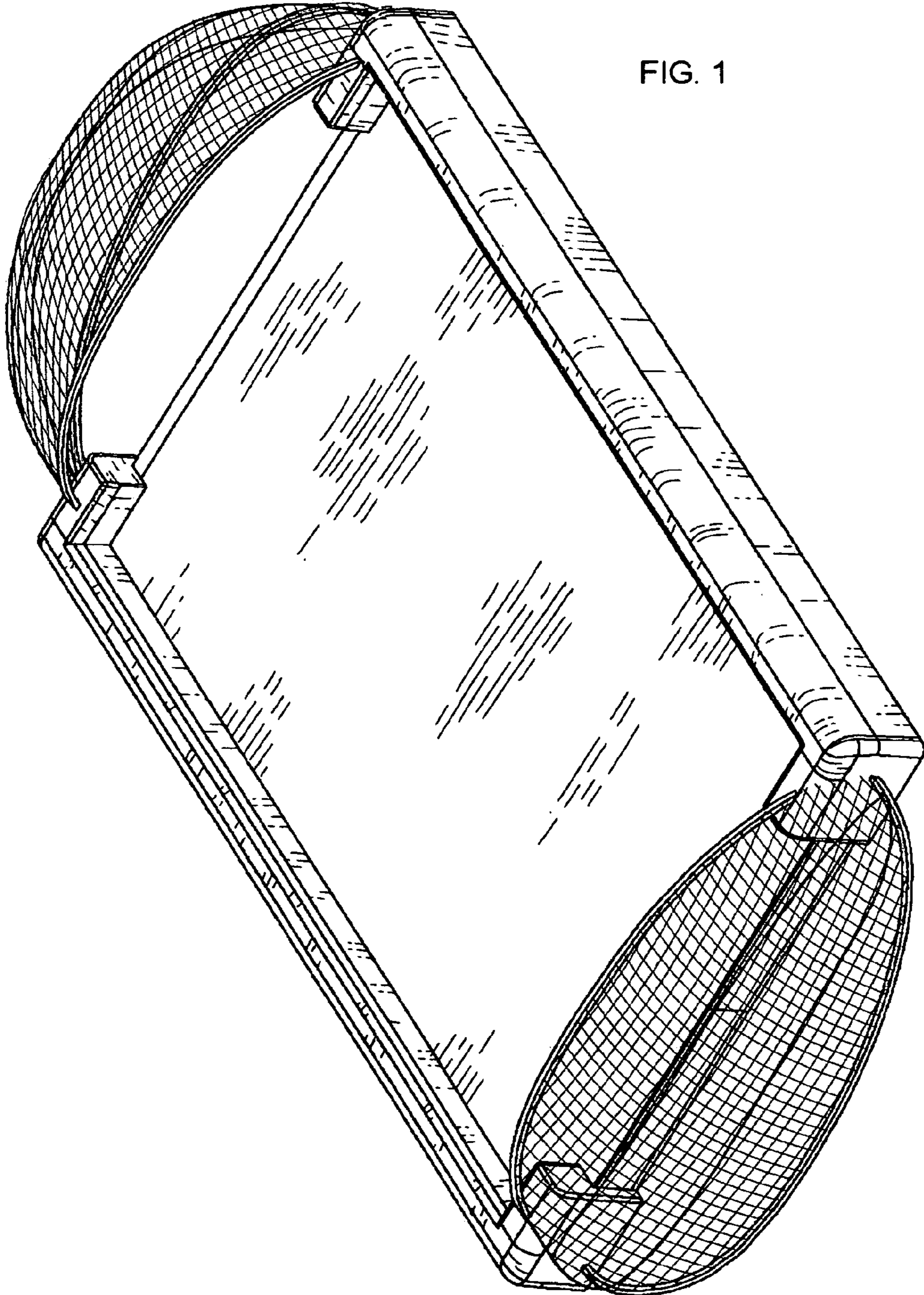


FIG. 1

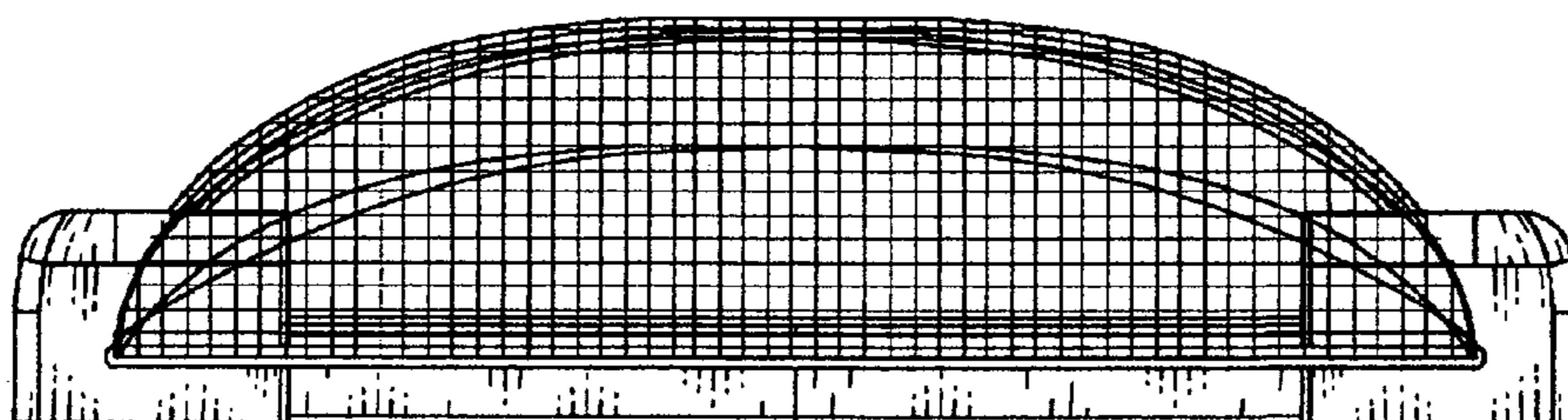


FIG. 2

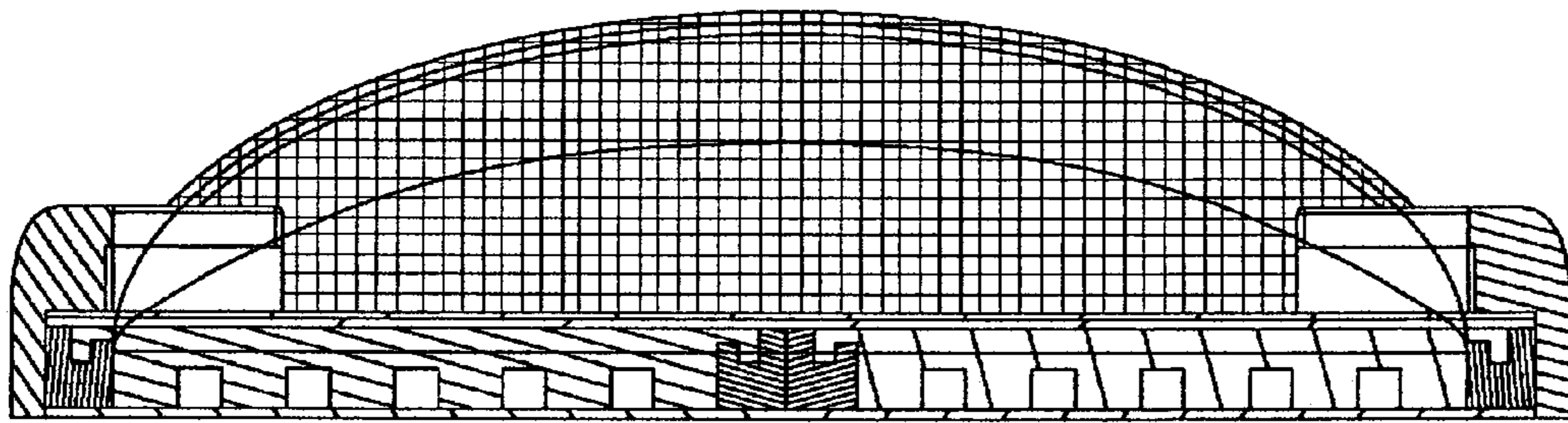


FIG. 3

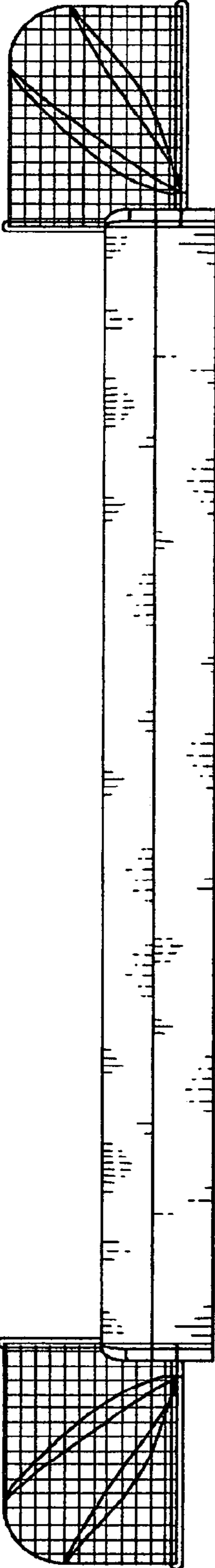


FIG. 4

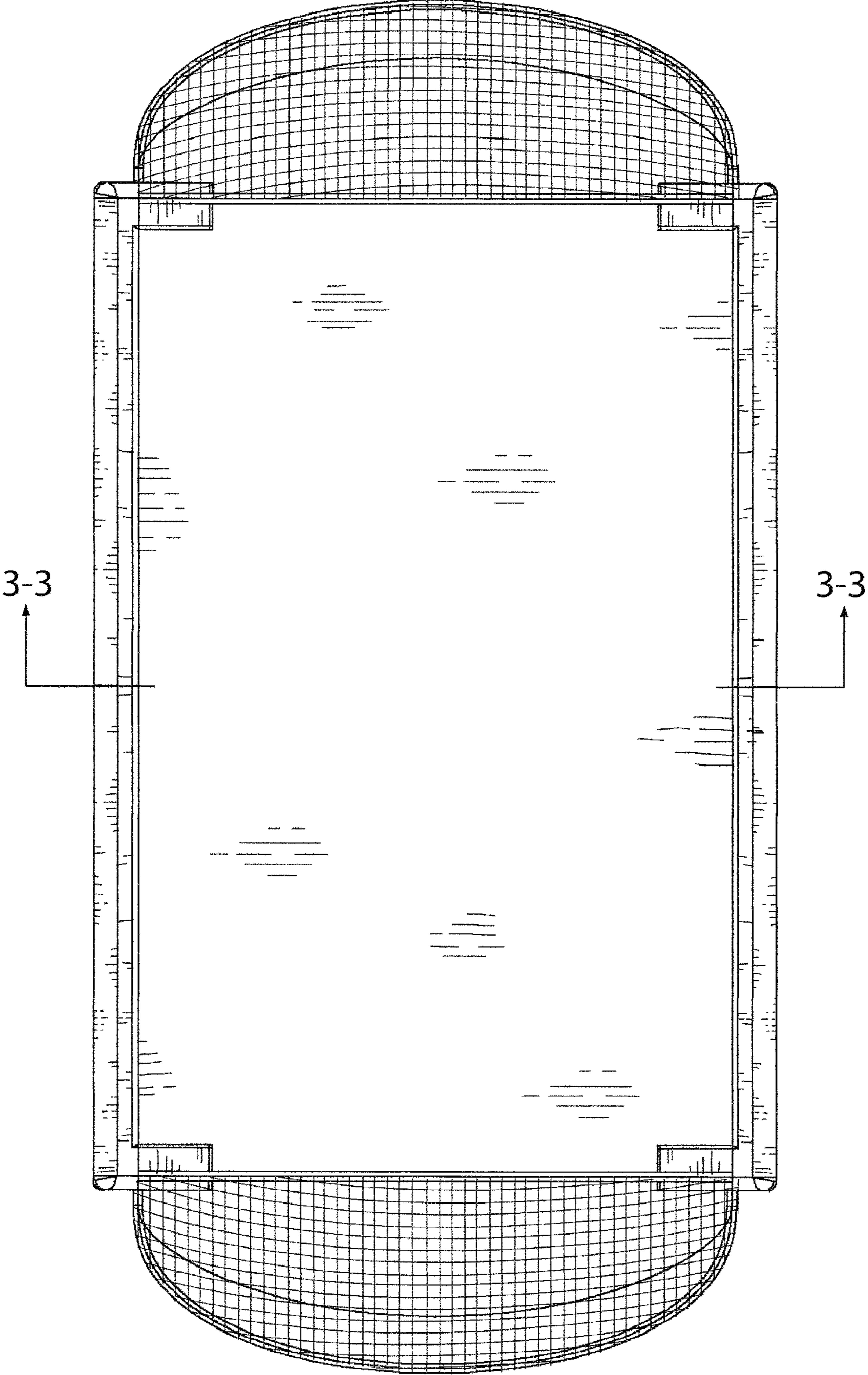


FIG. 5

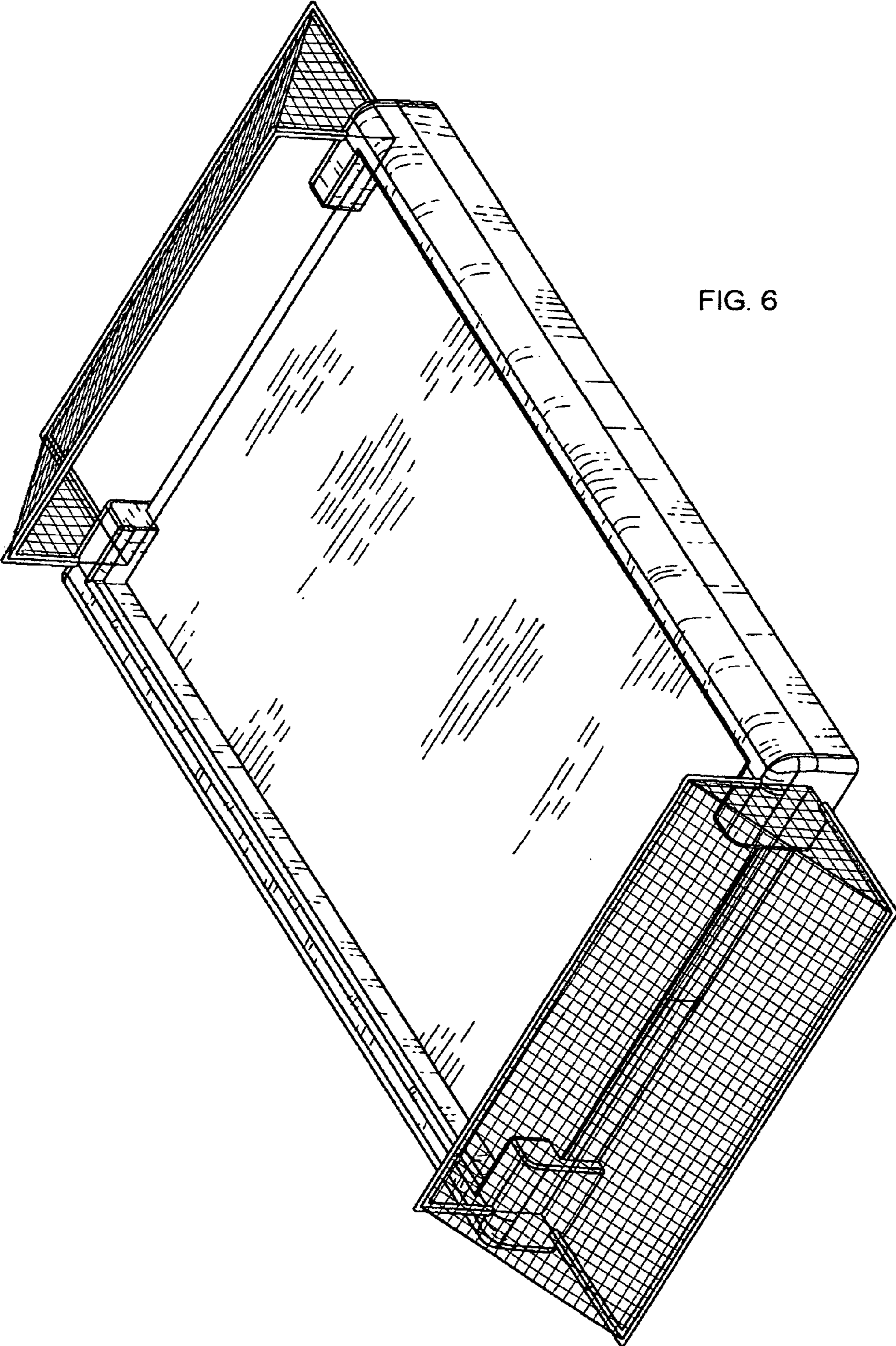


FIG. 6

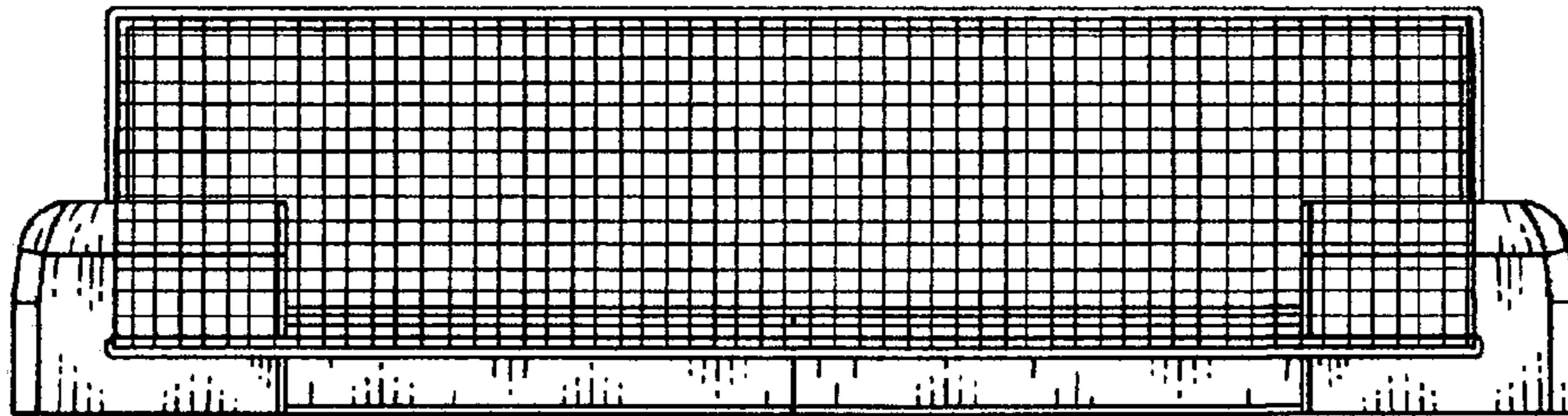


FIG. 7

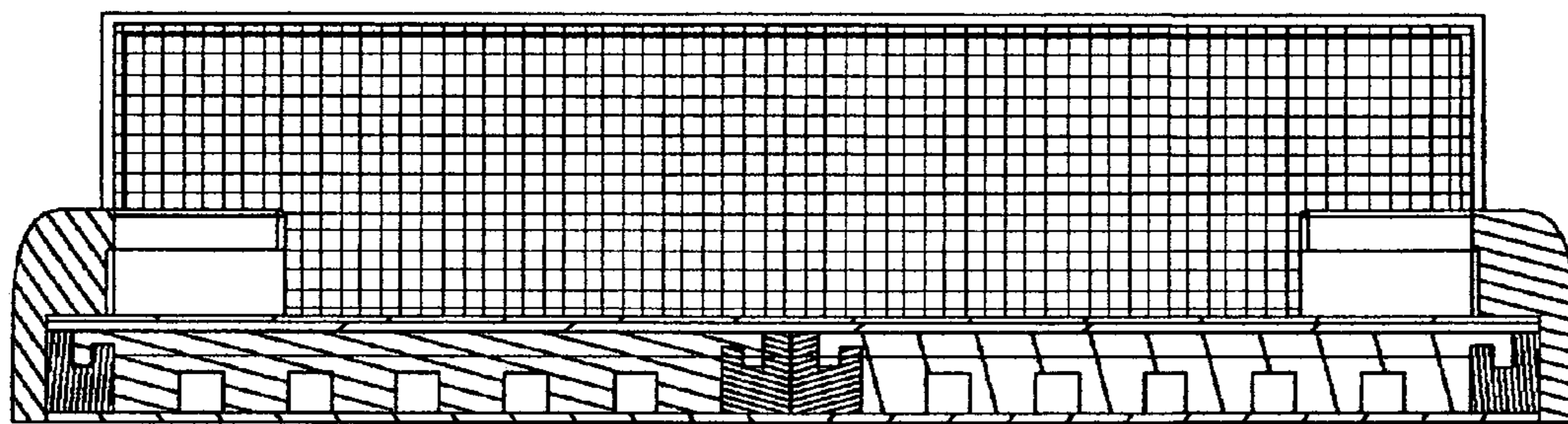


FIG. 8

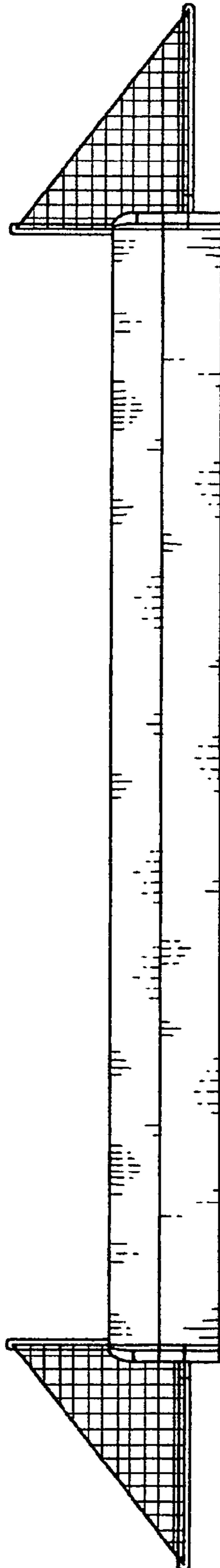


FIG. 9

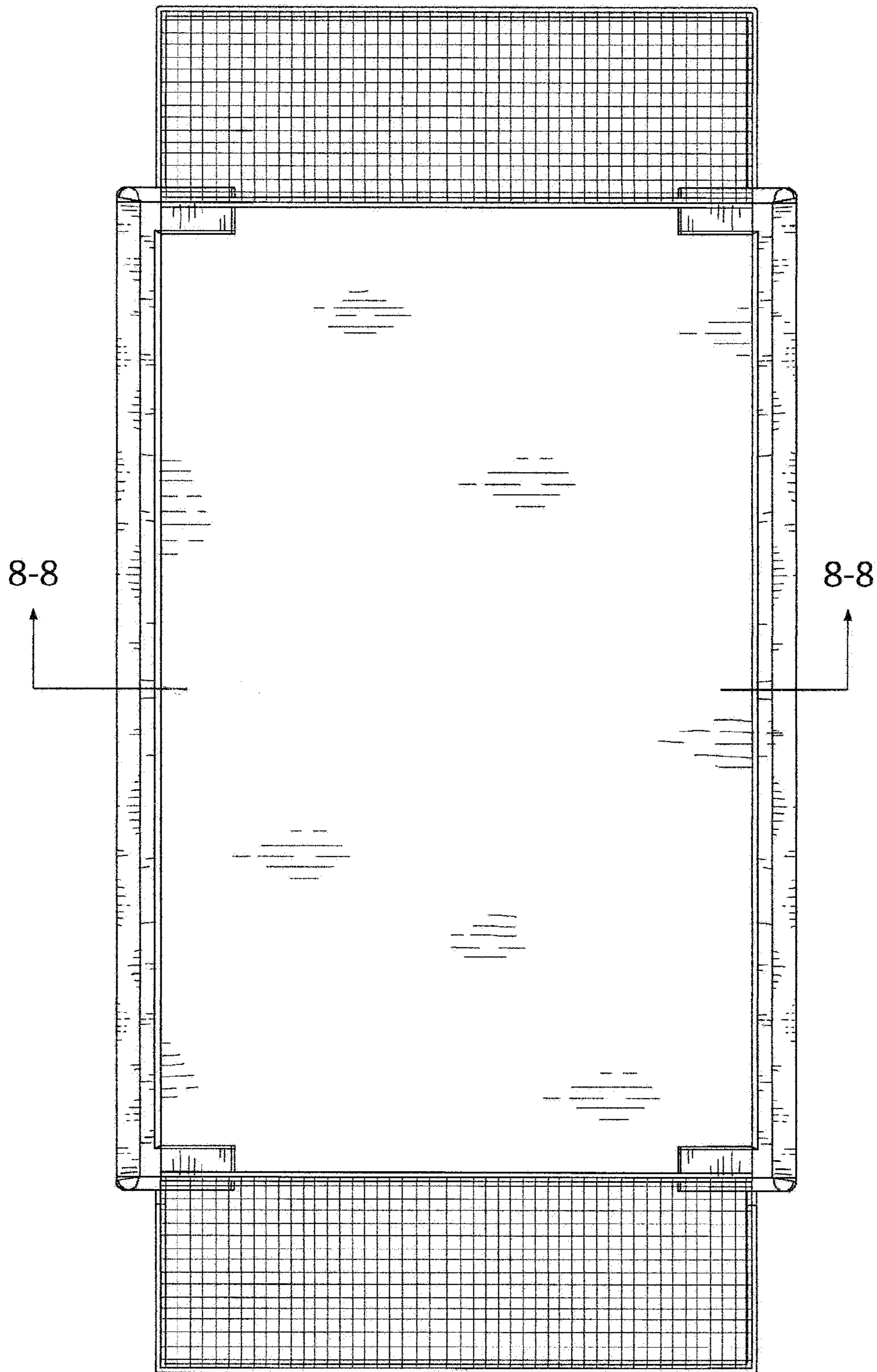


FIG. 10