

US00D666244S

(12) **United States Design Patent**  
**Morris**

(10) **Patent No.:** **US D666,244 S**

(45) **Date of Patent:** **\*\* \*Aug. 28, 2012**

(54) **ARM PENNANT**

(76) Inventor: **John B. N. Morris**, Mandeville, LA  
(US)

(\*) Notice: This patent is subject to a terminal disclaimer.

(\*\*) Term: **14 Years**

(21) Appl. No.: **29/383,936**

(22) Filed: **Jan. 24, 2011**

(51) **LOC (9) Cl.** ..... **20-03**

(52) **U.S. Cl.** ..... **D20/10**

(58) **Field of Classification Search** ..... D20/10,  
D20/11, 15, 17, 19, 21, 22, 40-42, 99;  
40/124.01-124.09, 124.11-124.19, 124.191,  
40/299.01, 326, 446, 538, 541, 584, 586,  
40/594, 600, 605; D2/741, 858; D10/109.1,  
D10/109.2, 114.9; 362/812; 441/59; 482/111  
See application file for complete search history.

(56) **References Cited**

**U.S. PATENT DOCUMENTS**

1,487,936	A *	3/1924	Green	.....	40/326
2,620,495	A *	12/1952	Loiselle	.....	441/59
D194,090	S *	11/1962	Mercorelli	.....	D20/15
3,786,526	A *	1/1974	Ausseil	.....	441/59

D366,850	S *	2/1996	Miller	.....	D10/114.9
D422,397	S *	4/2000	Cohen	.....	D2/858
6,315,700	B1 *	11/2001	Shifferaw	.....	482/111
D516,627	S *	3/2006	Collins et al.	.....	D20/22
D555,206	S *	11/2007	Collins et al.	.....	D20/22

\* cited by examiner

*Primary Examiner* — Mary Ann Calabrese

(74) *Attorney, Agent, or Firm* — Raymond G. Areaux; J. Matthew Miller, III; Carver, Darden, Koretzky, Tessier, Finn, Blossman & Areaux, LLC

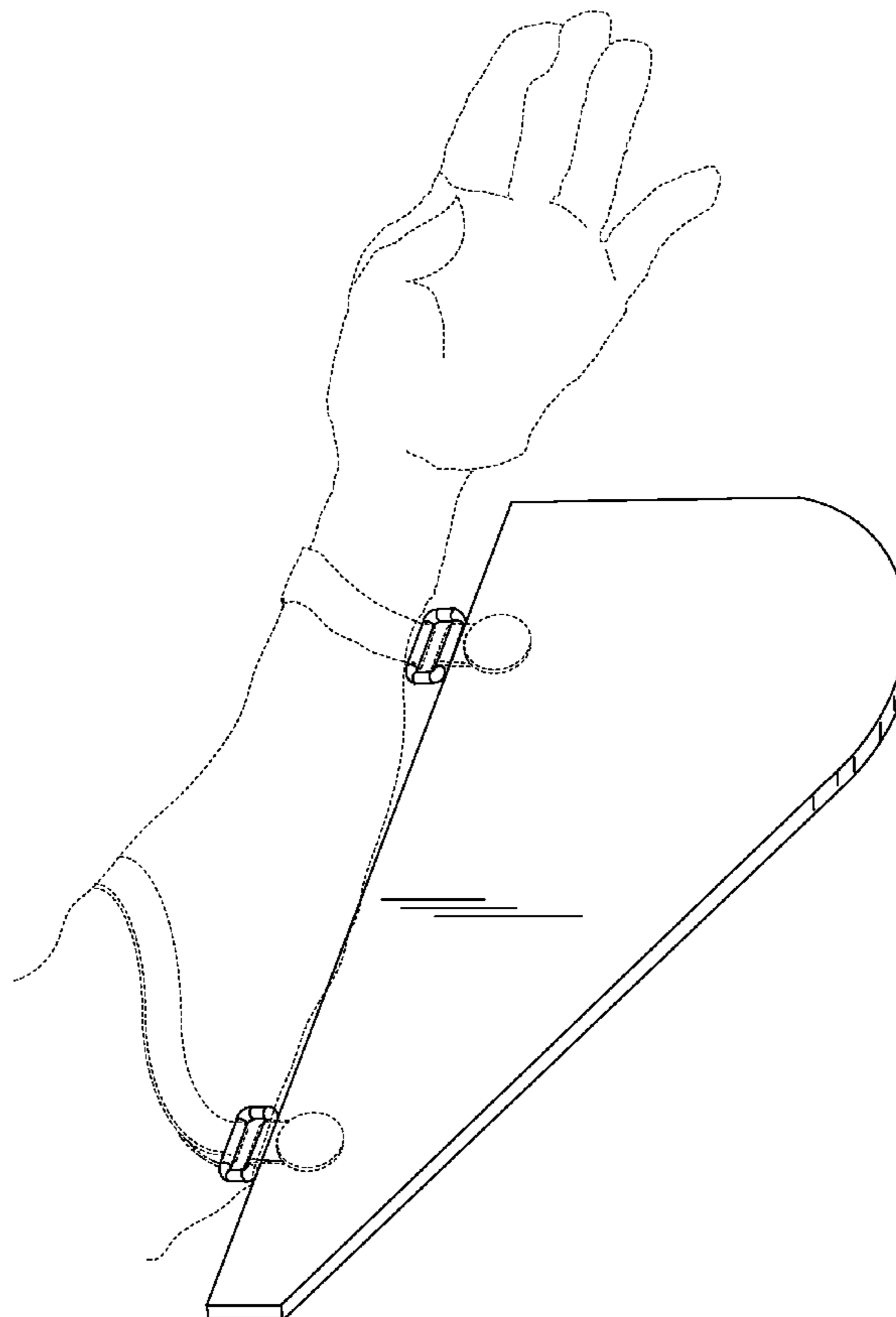
(57) **CLAIM**

The ornamental design for an arm pennant, as shown and described.

**DESCRIPTION**

FIG. 1 is a perspective view of an arm pennant showing my new design;  
FIG. 2 is a top view thereof;  
FIG. 3 is a bottom view thereof;  
FIG. 4 is a first side view thereof;  
FIG. 5 is a second side view thereof;  
FIG. 6 is a third side view thereof; and,  
FIG. 7 is a fourth side view thereof.  
In the drawings, the broken lines illustrate environment and form no part of the claimed design.

**1 Claim, 3 Drawing Sheets**



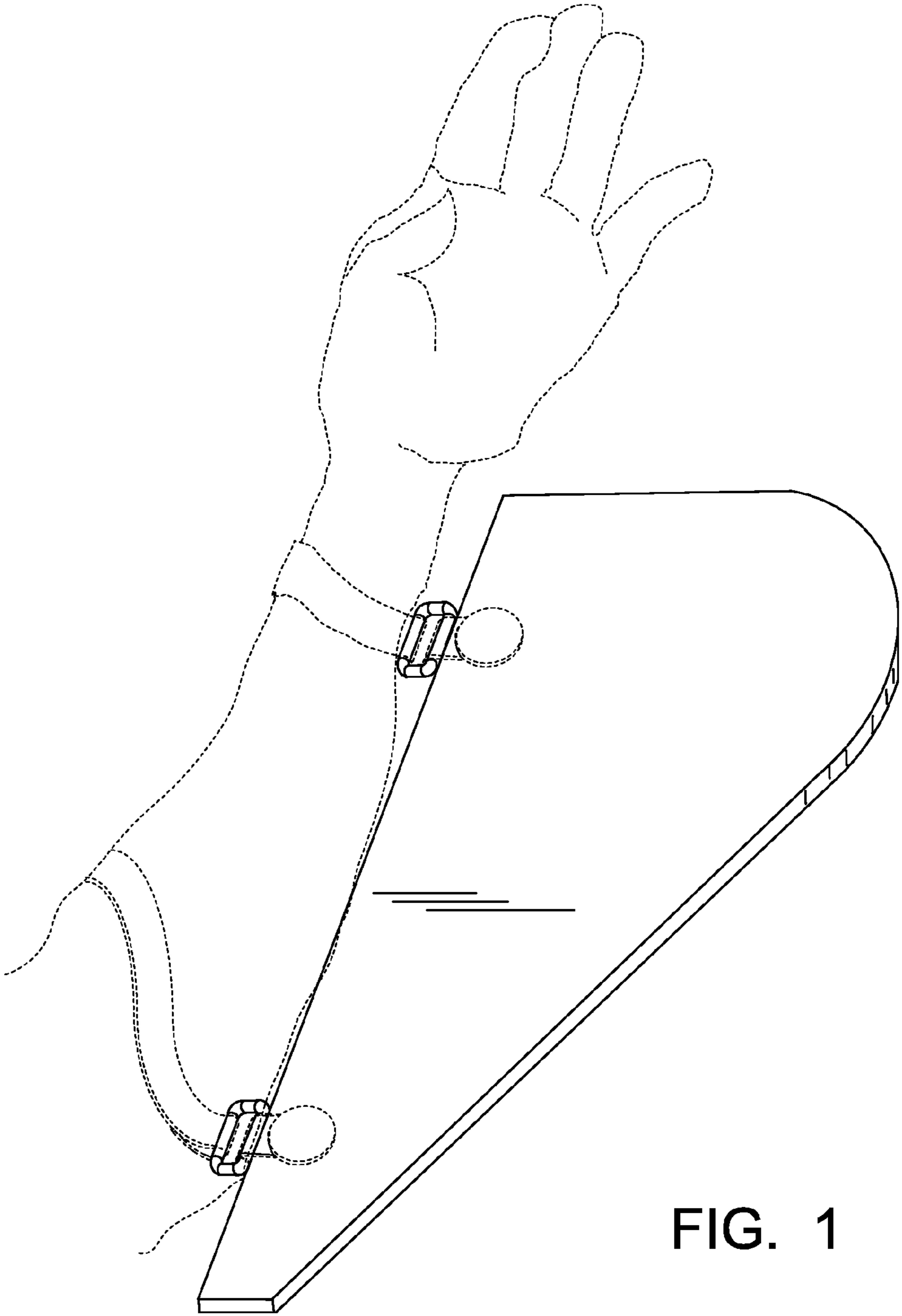


FIG. 1

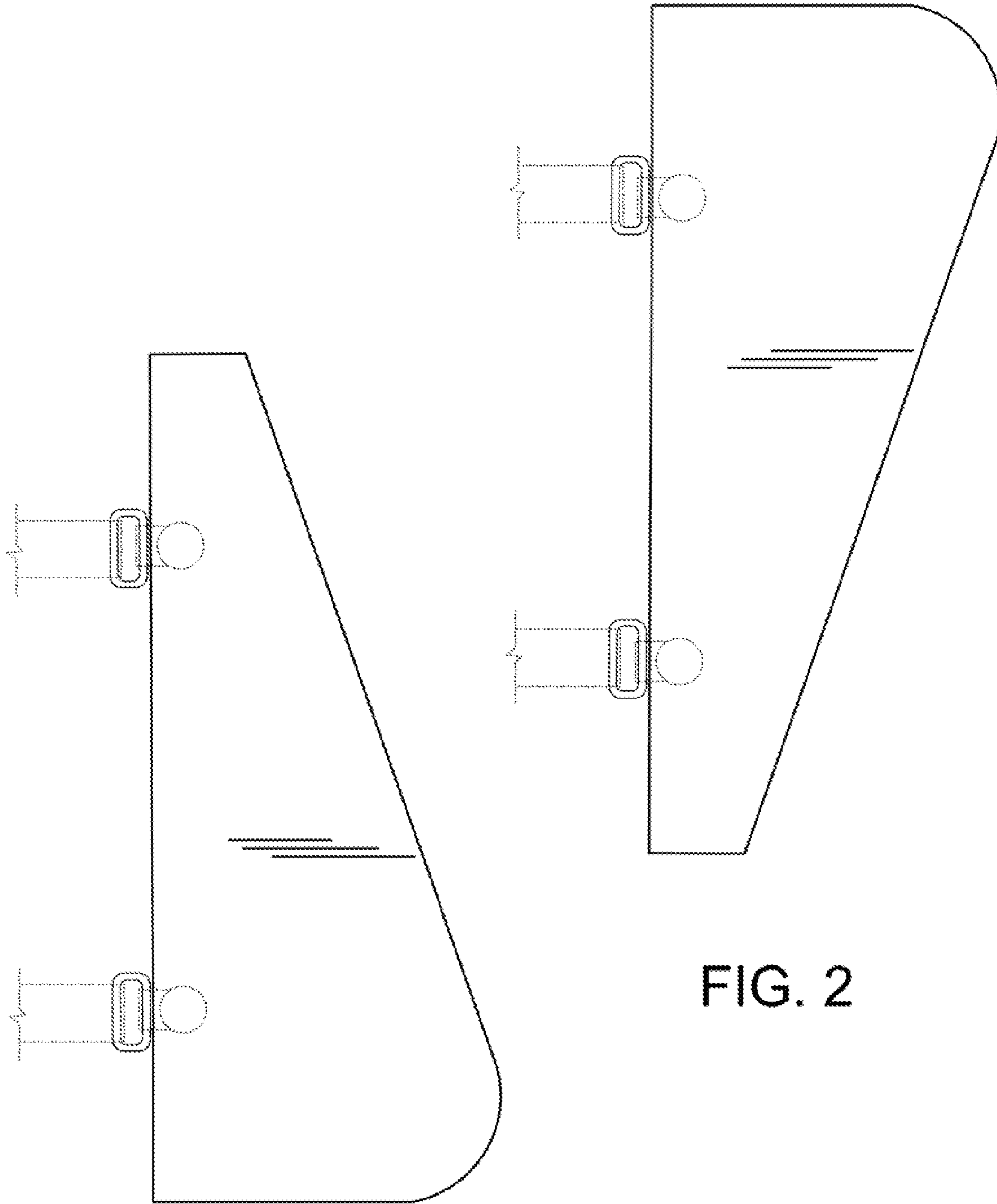


FIG. 3

FIG. 2

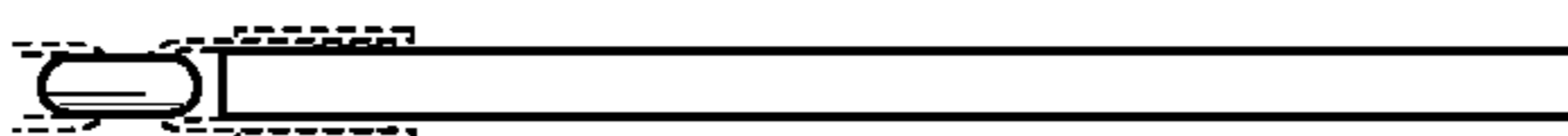


FIG. 5



FIG. 6



FIG. 7

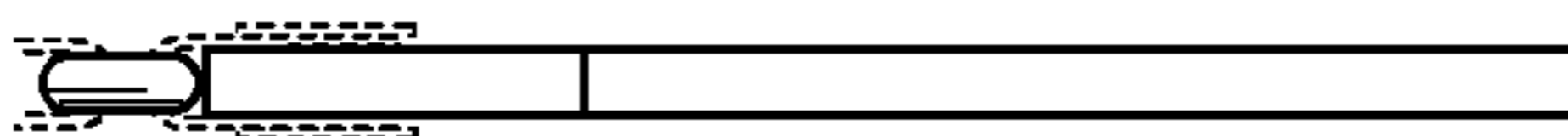


FIG. 4