



US00D666243S

(12) **United States Design Patent**
Hagglund et al.

(10) **Patent No.:** **US D666,243 S**

(45) **Date of Patent:** **** Aug. 28, 2012**

(54) **TAPE DISPENSER**

(75) Inventors: **Joel K. Hagglund**, Lonsdale, MN (US);
Joy A. Packard, Hudson, WI (US);
Shaelyn D. Crutchley, St. Paul, MN
(US); **Martin E. Broen**, Milan (IT);
Johannes Bayer, Balgach (CH);
Marcela S. Iglesias, Milan (IT); **Jorge**
C. Ceballos, Pcia Buenos Aires (AR)

(73) Assignee: **3M Innovative Properties Company**,
St. Paul, MN (US)

(**) Term: **14 Years**

(21) Appl. No.: **29/405,529**

(22) Filed: **Nov. 3, 2011**

(51) **LOC (9) Cl.** **19-02**

(52) **U.S. Cl.** **D19/69**

(58) **Field of Classification Search** D19/70,
D19/69, 36, 68; 242/588.6, 588.2; 225/77,
225/6, 56, 39, 26, 25, 19, 11; 206/411; 156/577,
156/527, 523

See application file for complete search history.

(56) **References Cited**

U.S. PATENT DOCUMENTS

D170,429 S * 9/1953 Reinecke D19/69
D506,224 S * 6/2005 Farce D19/69
D510,951 S * 10/2005 Carlson et al. D19/69

D525,305 S * 7/2006 Carlson et al. D19/69
D526,685 S * 8/2006 Carlson et al. D19/69
D528,602 S * 9/2006 Carlson et al. D19/69
D539,352 S * 3/2007 Farce et al. D19/69
D540,870 S * 4/2007 Porcini et al. D19/69
D541,347 S * 4/2007 Porcini et al. D19/69
D541,864 S * 5/2007 Porcini et al. D19/69
D640,323 S * 6/2011 Broen et al. D19/69
D640,324 S * 6/2011 Broen et al. D19/69
D640,325 S * 6/2011 Broen et al. D19/69

* cited by examiner

Primary Examiner — Austin Murphy

(74) *Attorney, Agent, or Firm* — Kevin W. Weber; Irina Hass

(57) **CLAIM**

The ornamental design for a tape dispenser, as shown and described.

DESCRIPTION

FIG. 1 is a perspective view of a tape dispenser showing the new design;

FIG. 2 is a side view thereof;

FIG. 3 is a top view thereof;

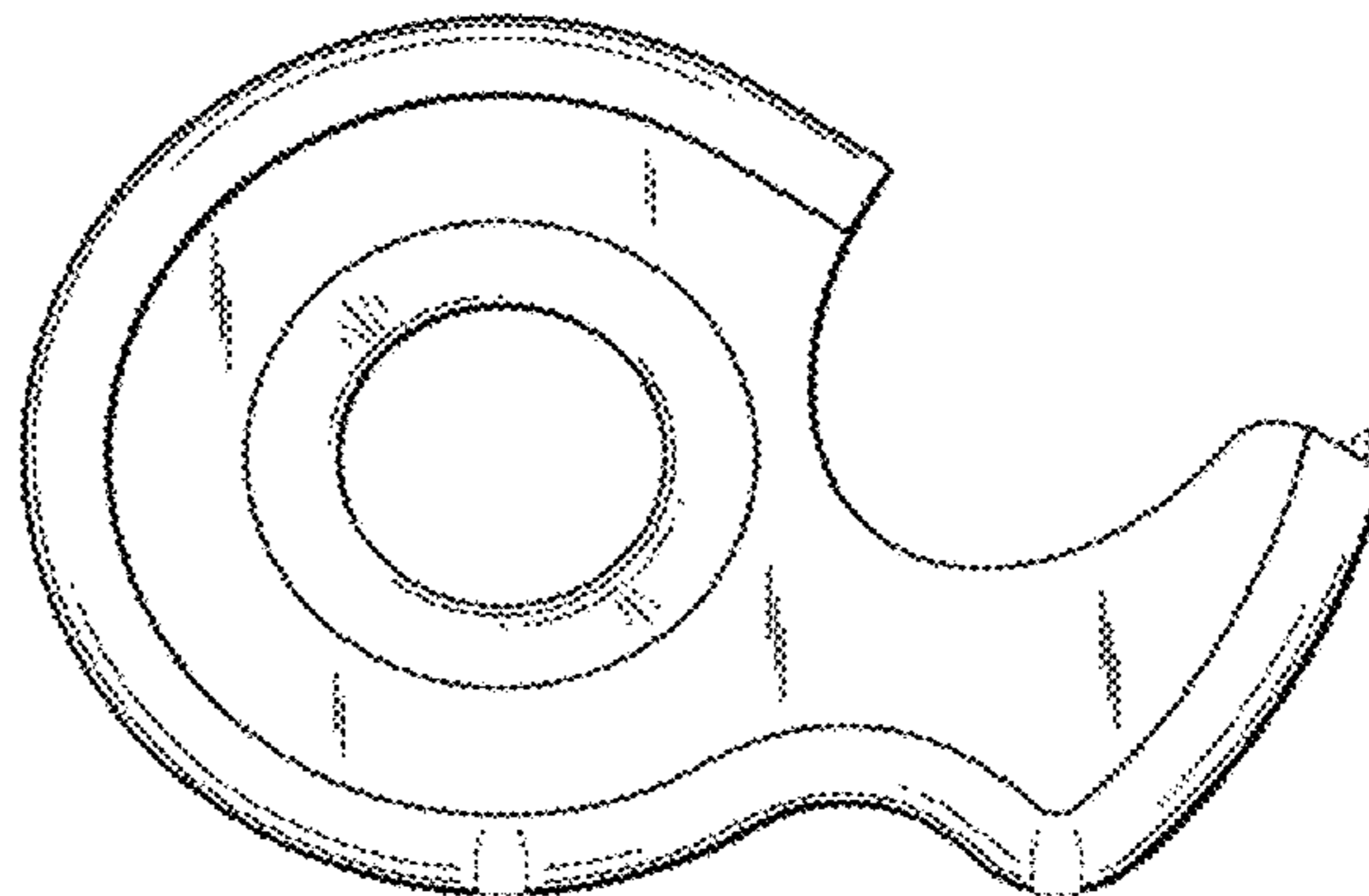
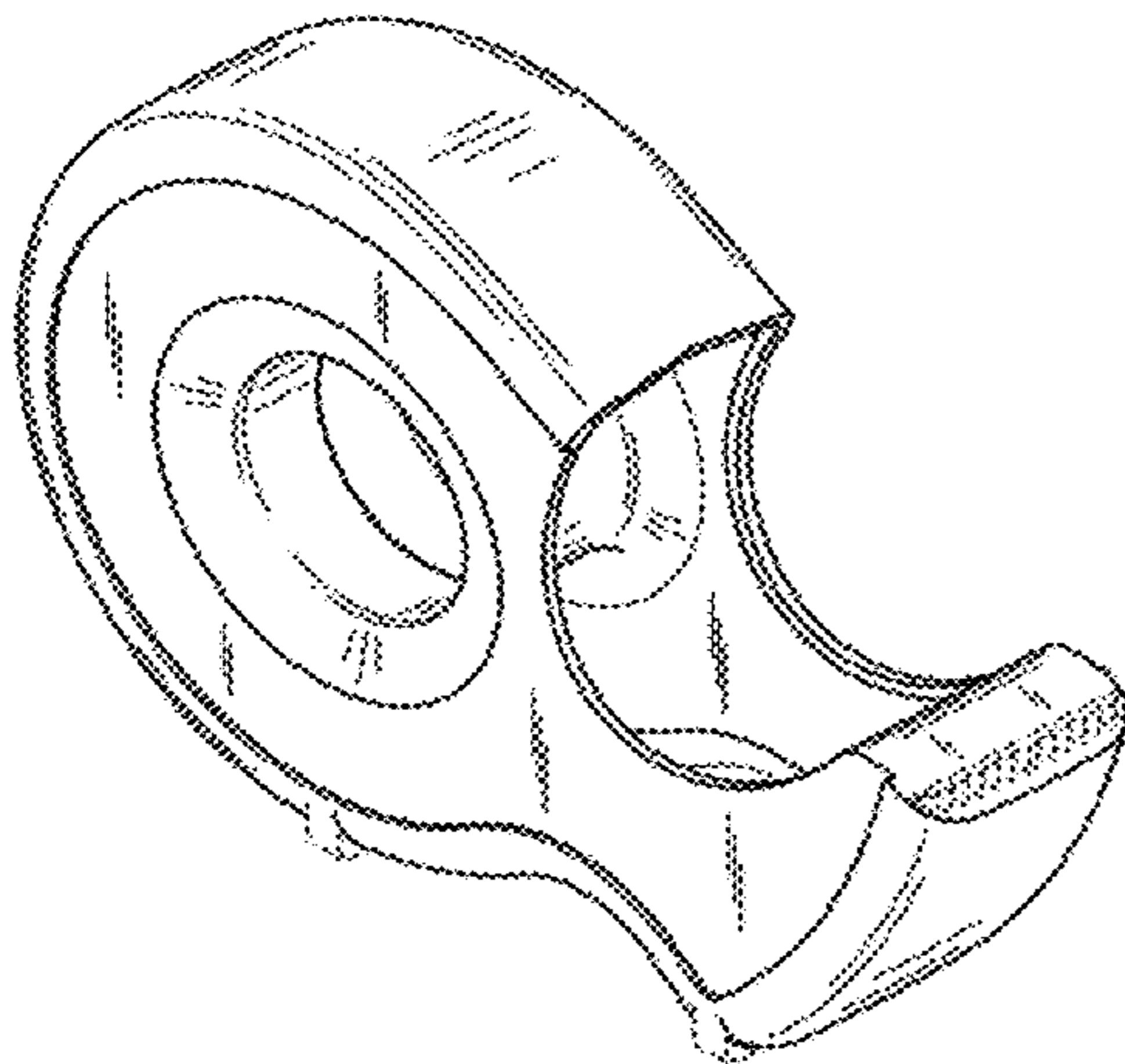
FIG. 4 is a bottom view thereof;

FIG. 5 is a rear view thereof; and,

FIG. 6 is a front view thereof.

The structure depicted by means of broken lines in the figures has been shown for illustrative purposes only and forms no part of the claimed design.

1 Claim, 2 Drawing Sheets



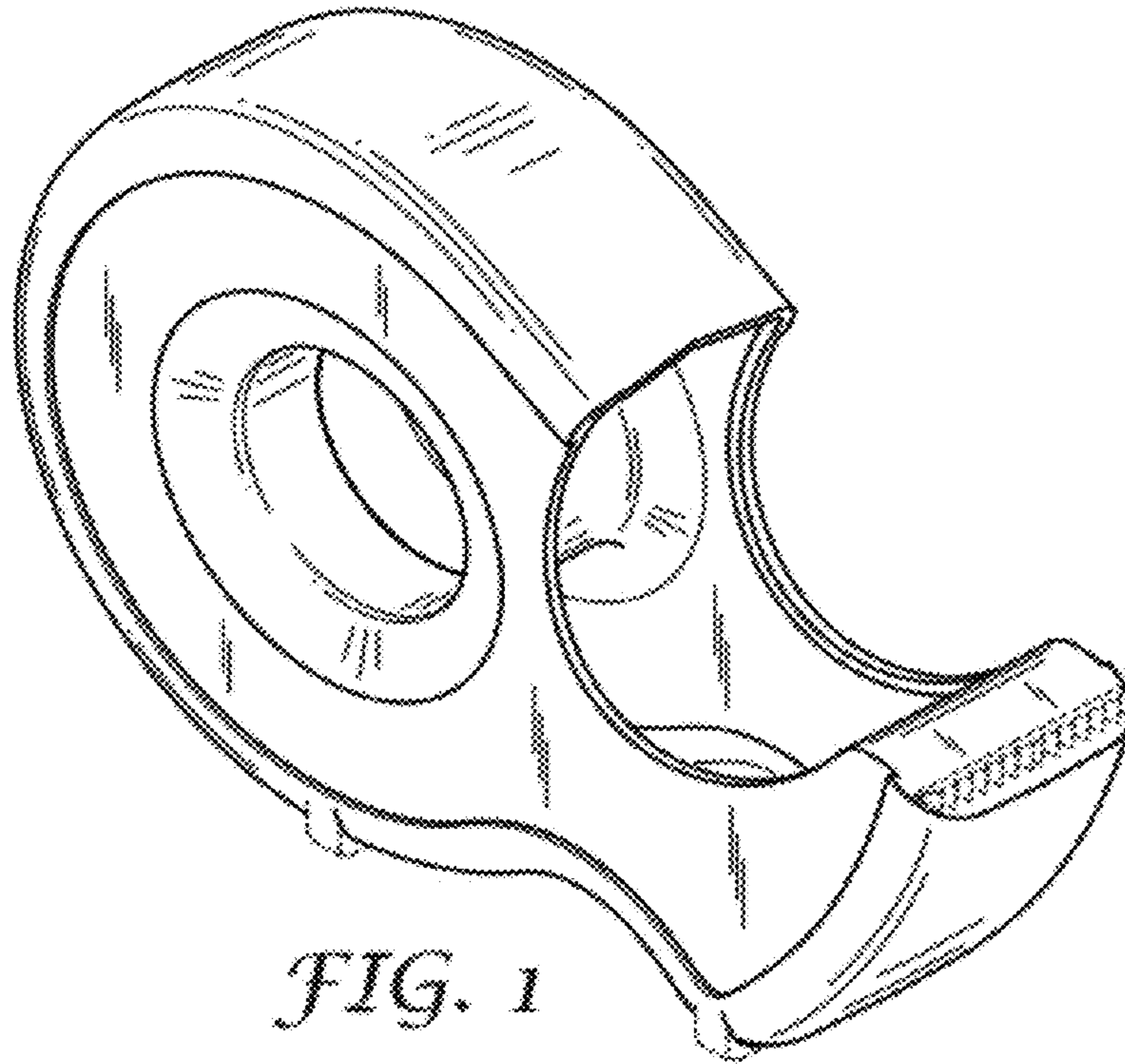


FIG. 1

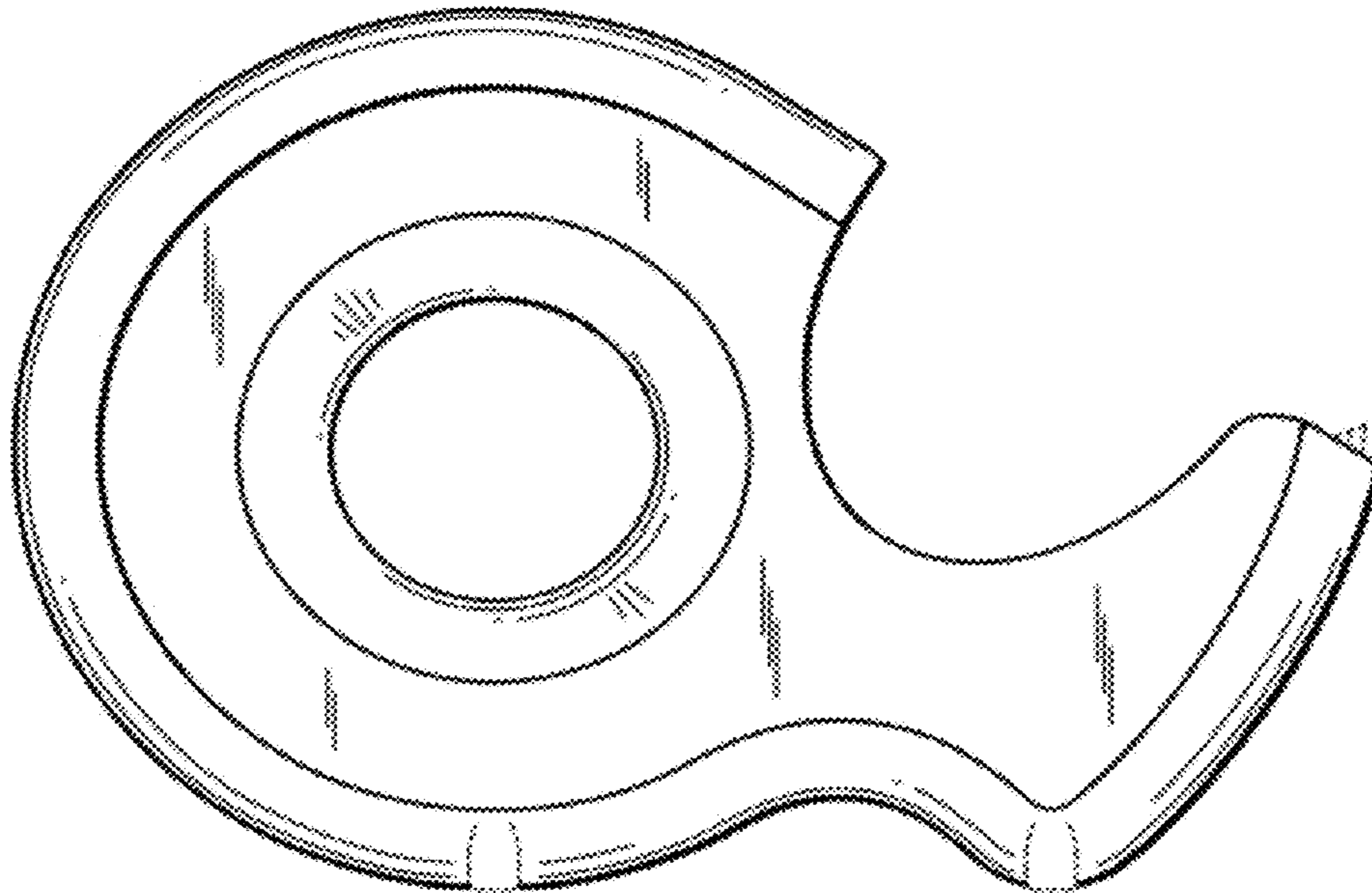


FIG. 2

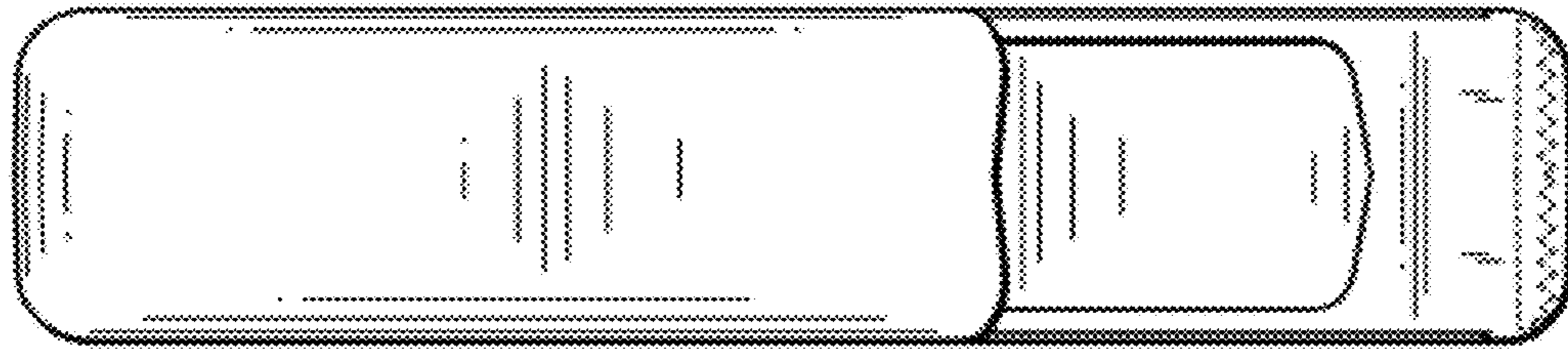


FIG. 3

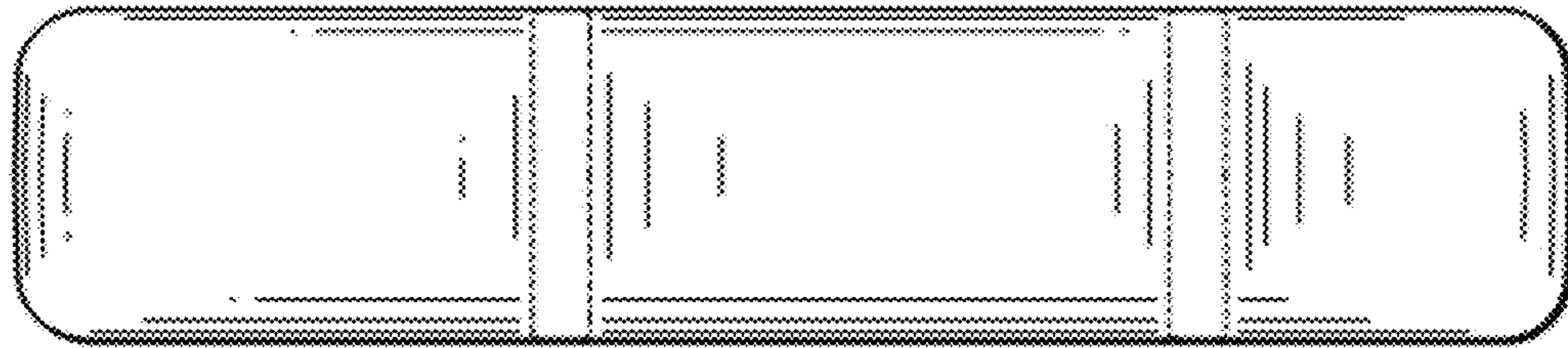


FIG. 4

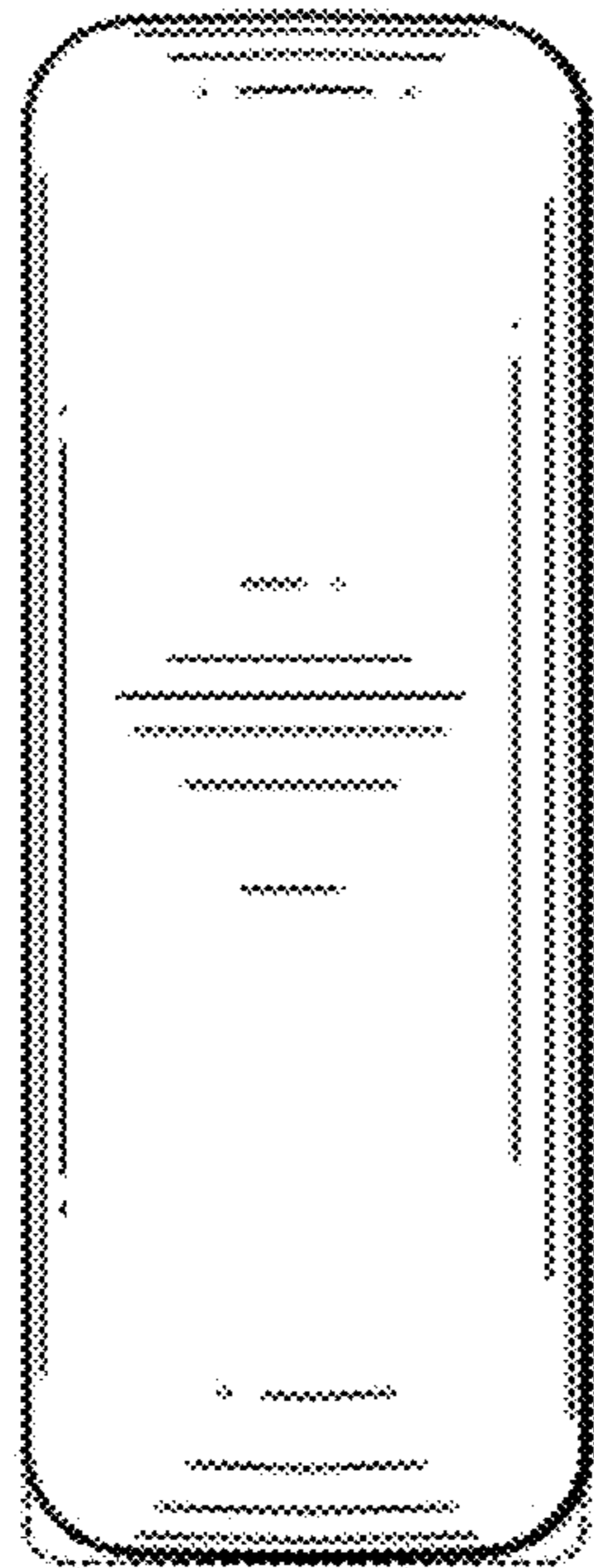


FIG. 5

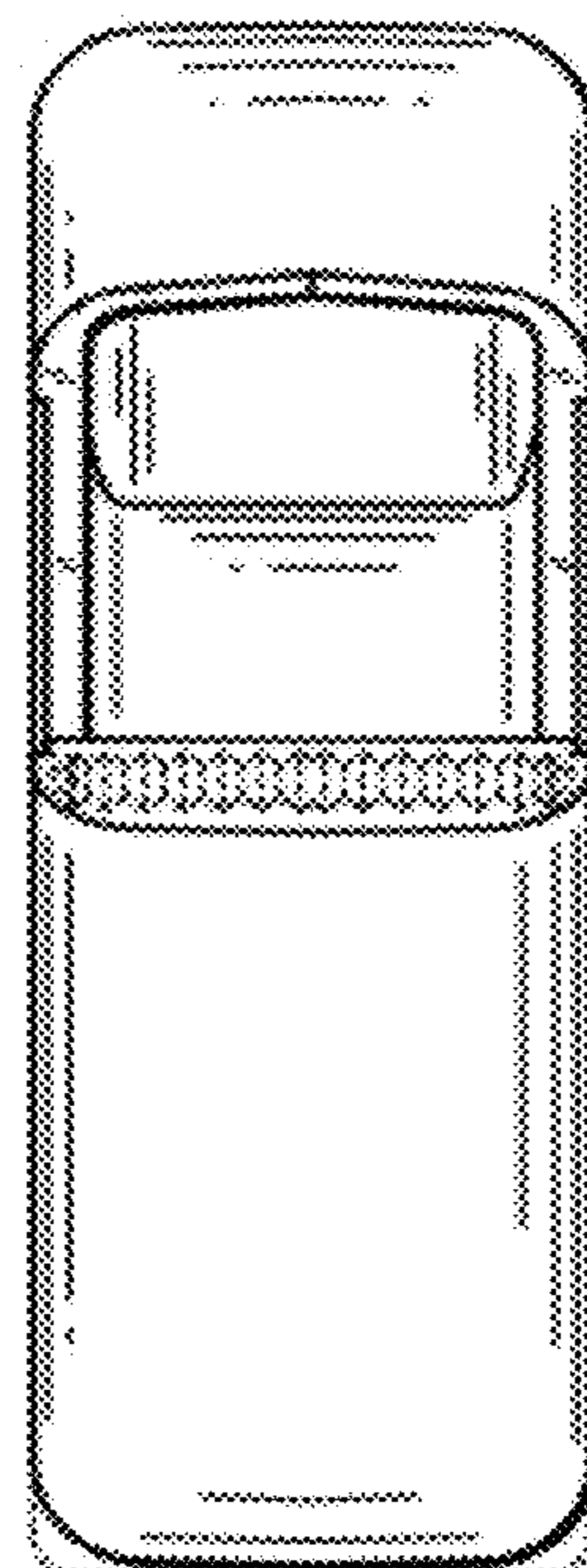


FIG. 6