



US00D666239S

(12) **United States Design Patent**  
**Larson et al.**

(10) **Patent No.:** **US D666,239 S**

(45) **Date of Patent:** **\*\* Aug. 28, 2012**

(54) **MULTI-FUNCTION IMAGING AND PRINTING DEVICE**

D594,508 S \* 6/2009 Joe et al. .... D18/55  
D595,347 S \* 6/2009 Tjin Wong Joe et al. .... D18/55  
D596,226 S \* 7/2009 Yamaguchi ..... D18/55

(75) Inventors: **David B. Larson**, Eagle, ID (US); **Kevin L. Falk**, Boise, ID (US); **Hao-Hua Zhu**, Shanghai (CN)

\* cited by examiner

*Primary Examiner* — Cathy A MacCormac

(73) Assignee: **Hewlett-Packard Development Company, L.P.**, Houston, TX (US)

(57) **CLAIM**

The ornamental design for a multi-function imaging and printing device, substantially as shown and described.

(\*\*) Term: **14 Years**

**DESCRIPTION**

(21) Appl. No.: **29/376,871**

(22) Filed: **Oct. 13, 2010**

(51) **LOC (9) Cl.** ..... **14-02**

(52) **U.S. Cl.** ..... **D18/55**

(58) **Field of Classification Search** ..... D14/420–425,  
D14/463–470; D18/14, 19, 36–37, 50, 54,  
D18/54.1, 55; 400/613, 613.1–613.4, 690,  
400/690.1–690.4, 691–694

See application file for complete search history.

FIG. 1 is a left-front perspective view of the design for the multi-function imaging and printing device with a control panel in a first position;  
FIG. 2 is a front view thereof;  
FIG. 3 is a rear view thereof;  
FIG. 4 is a top view thereof;  
FIG. 5 is a bottom view thereof;  
FIG. 6 is a left side view thereof;  
FIG. 7 is a right side view thereof; and,  
FIG. 8 is a left-front perspective view of the design for the multi-function imaging and printing device with the control panel in a second position.

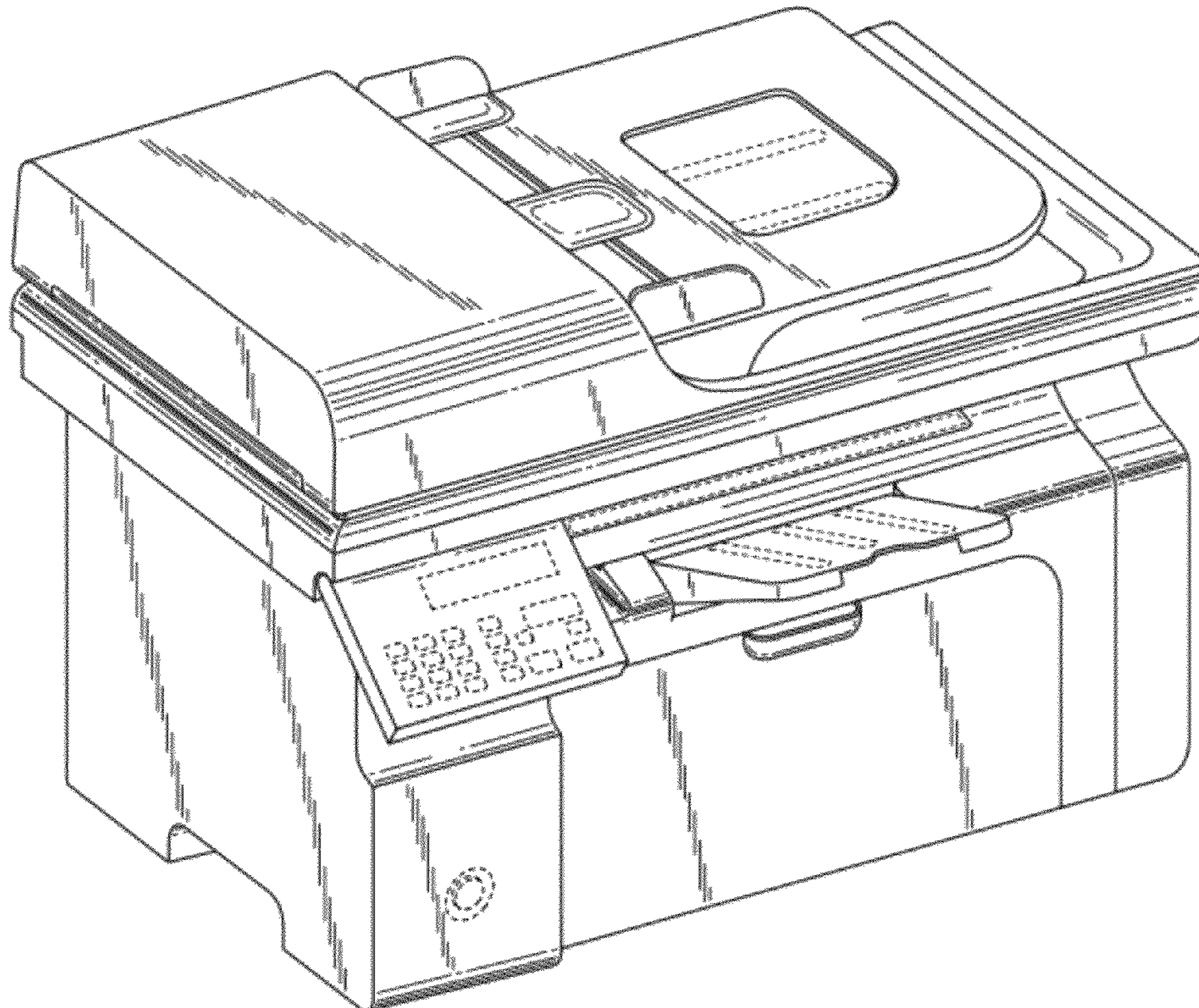
The portions shown in broken lines are for illustrative purposes only and form no part of the claimed design.

(56) **References Cited**

U.S. PATENT DOCUMENTS

D550,279 S \* 9/2007 Tani ..... D18/50  
D561,250 S \* 2/2008 Smith et al. .... D18/55  
D579,973 S \* 11/2008 Park et al. .... D18/55

**1 Claim, 8 Drawing Sheets**



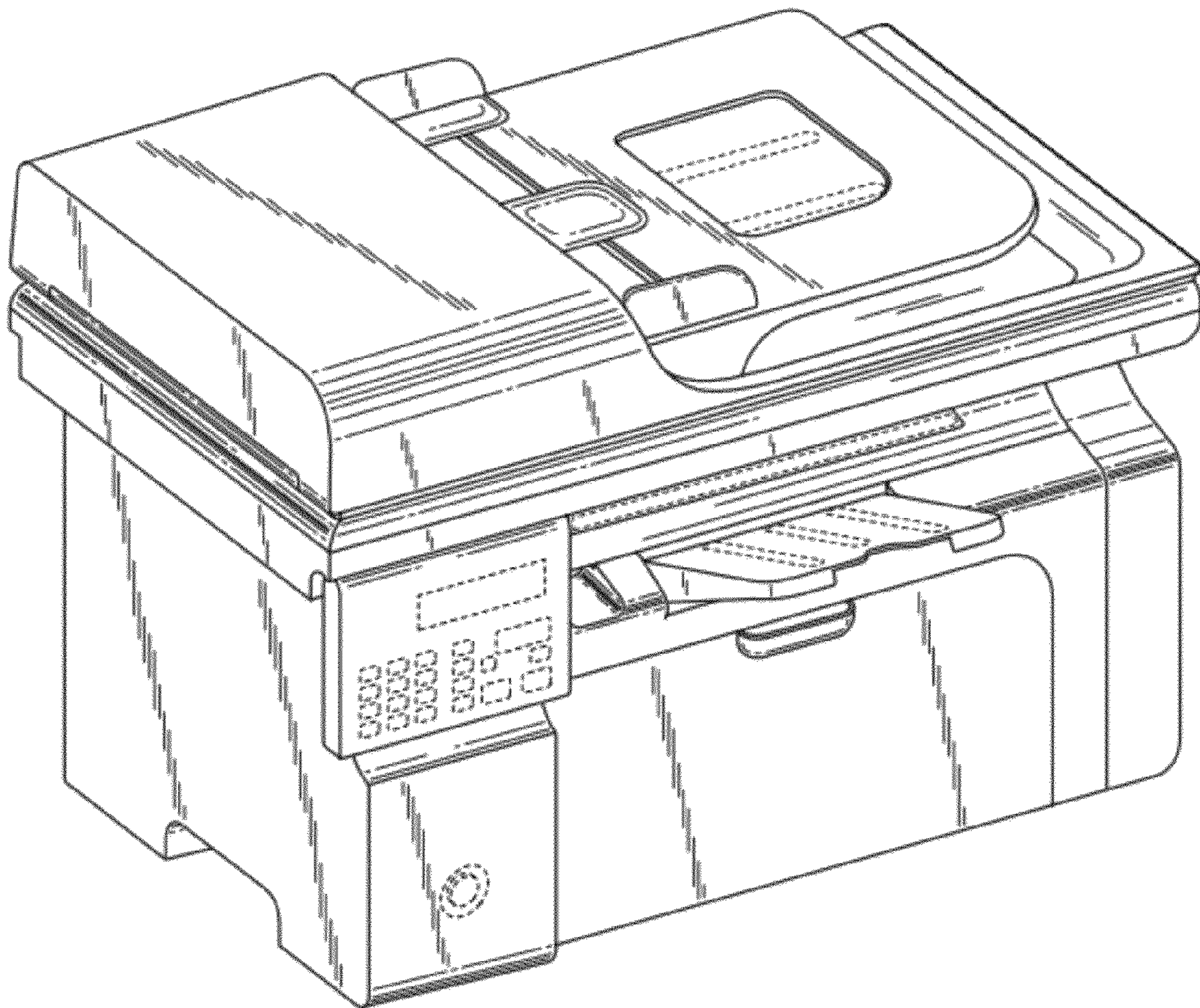


Fig. 1

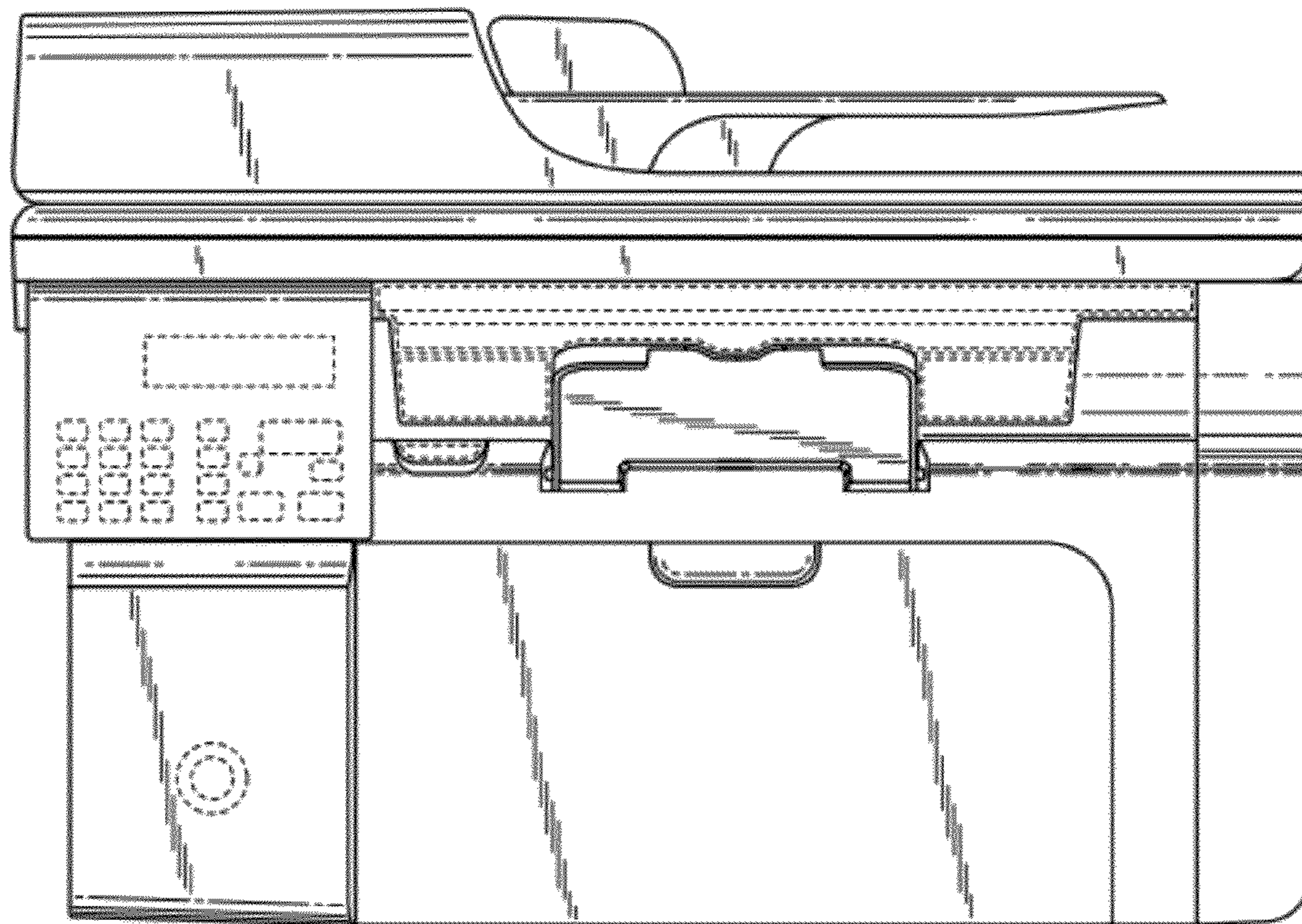


Fig. 2

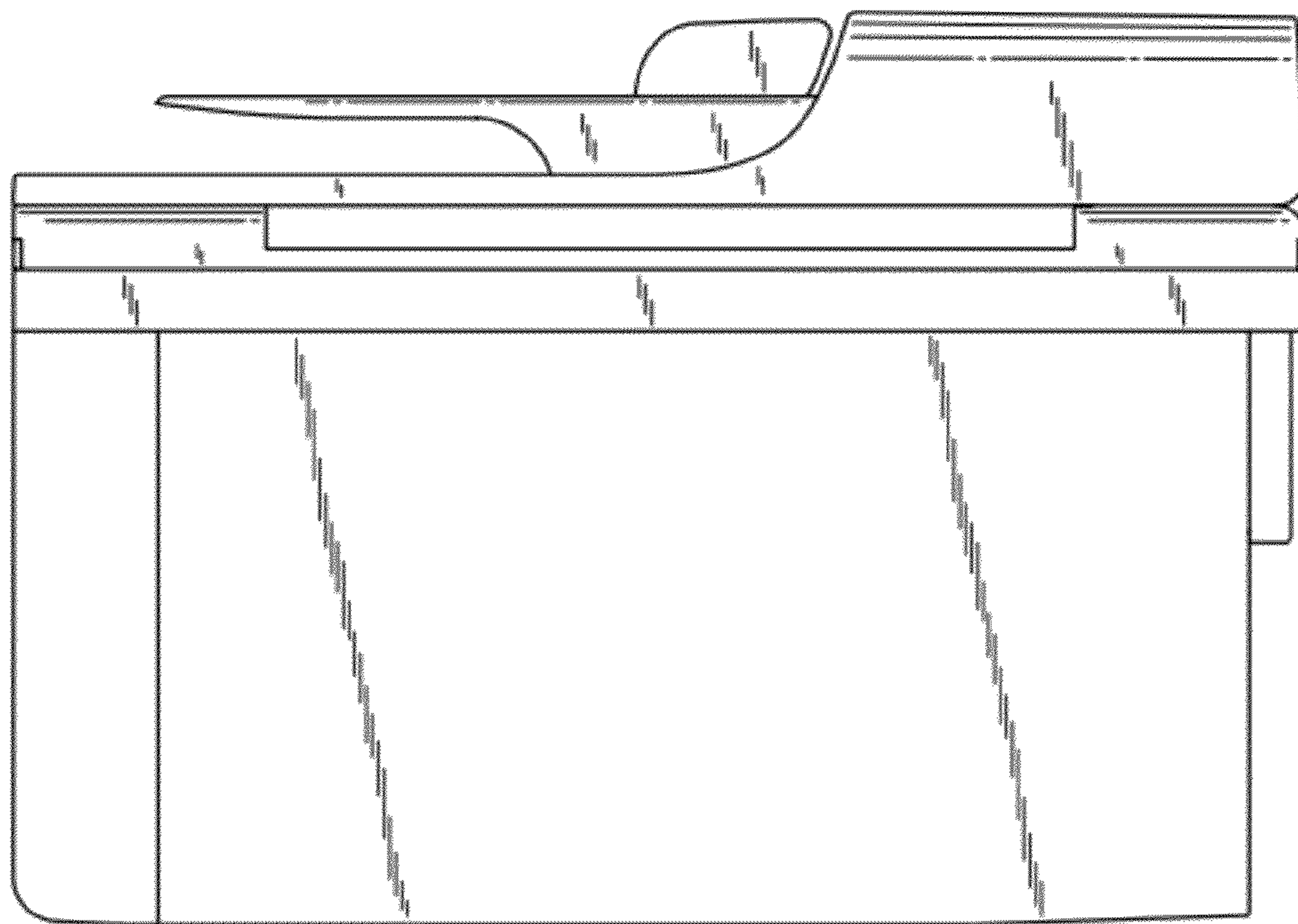


Fig. 3

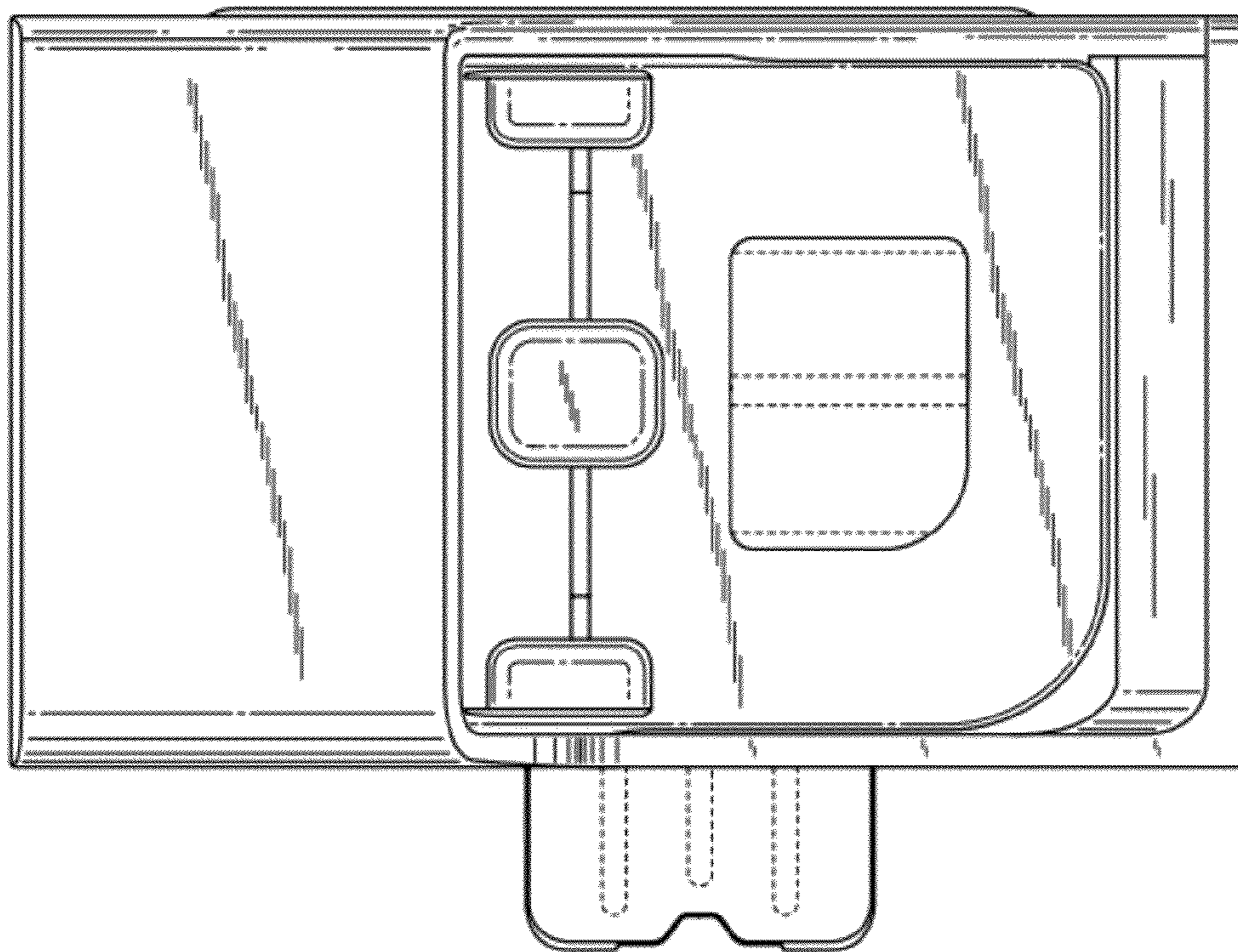
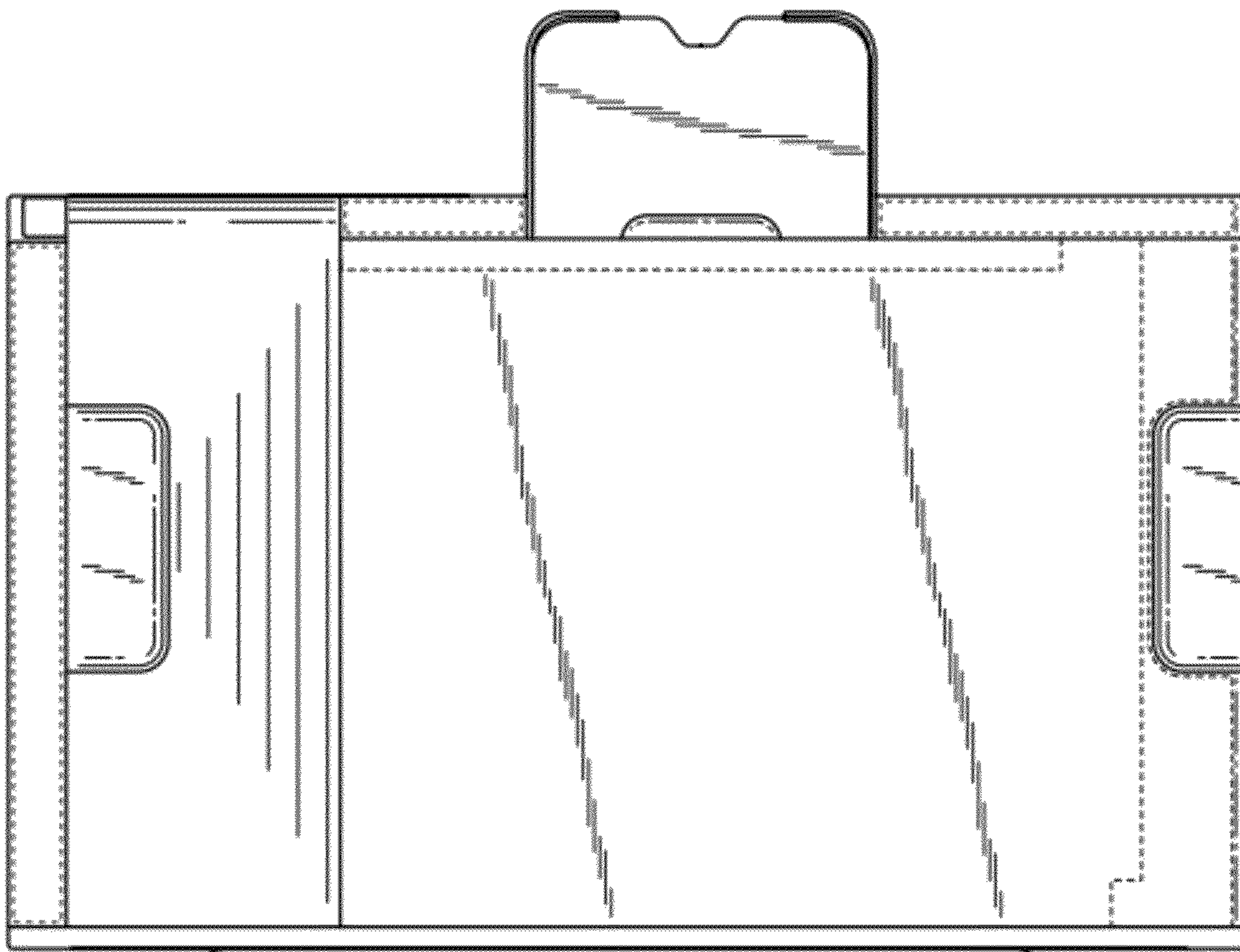
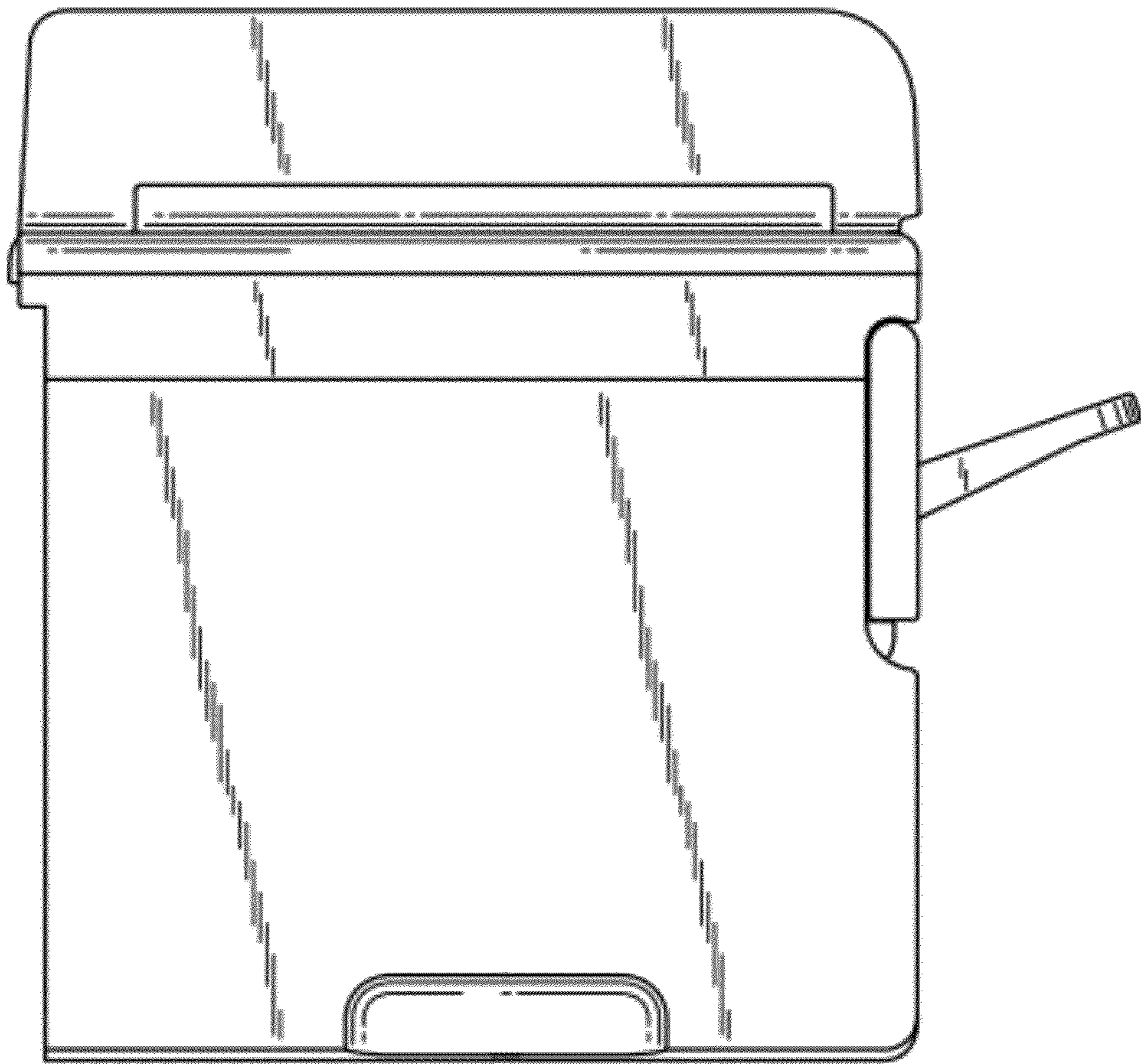


Fig. 4



**Fig. 5**



**Fig. 6**

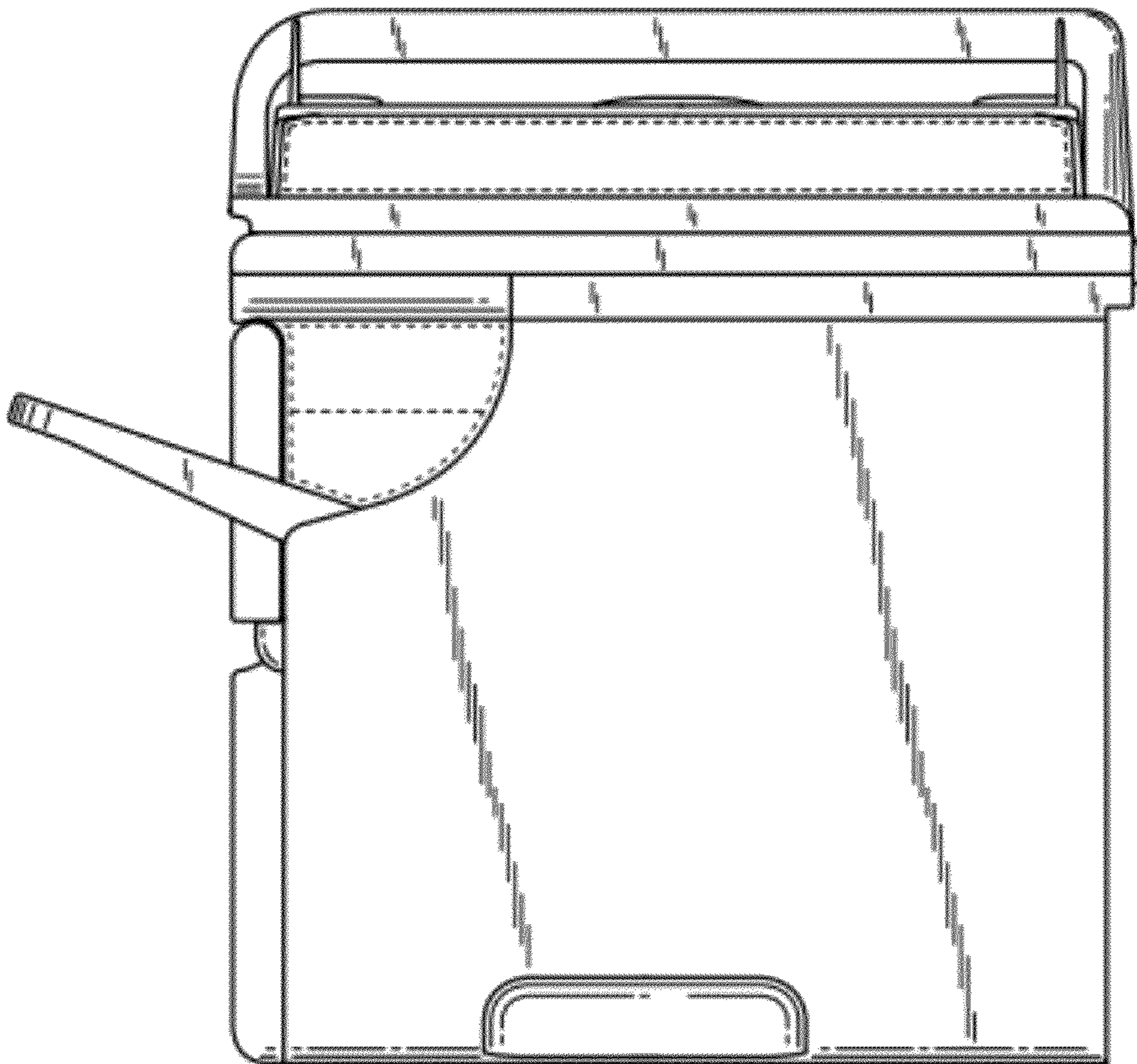


Fig. 7



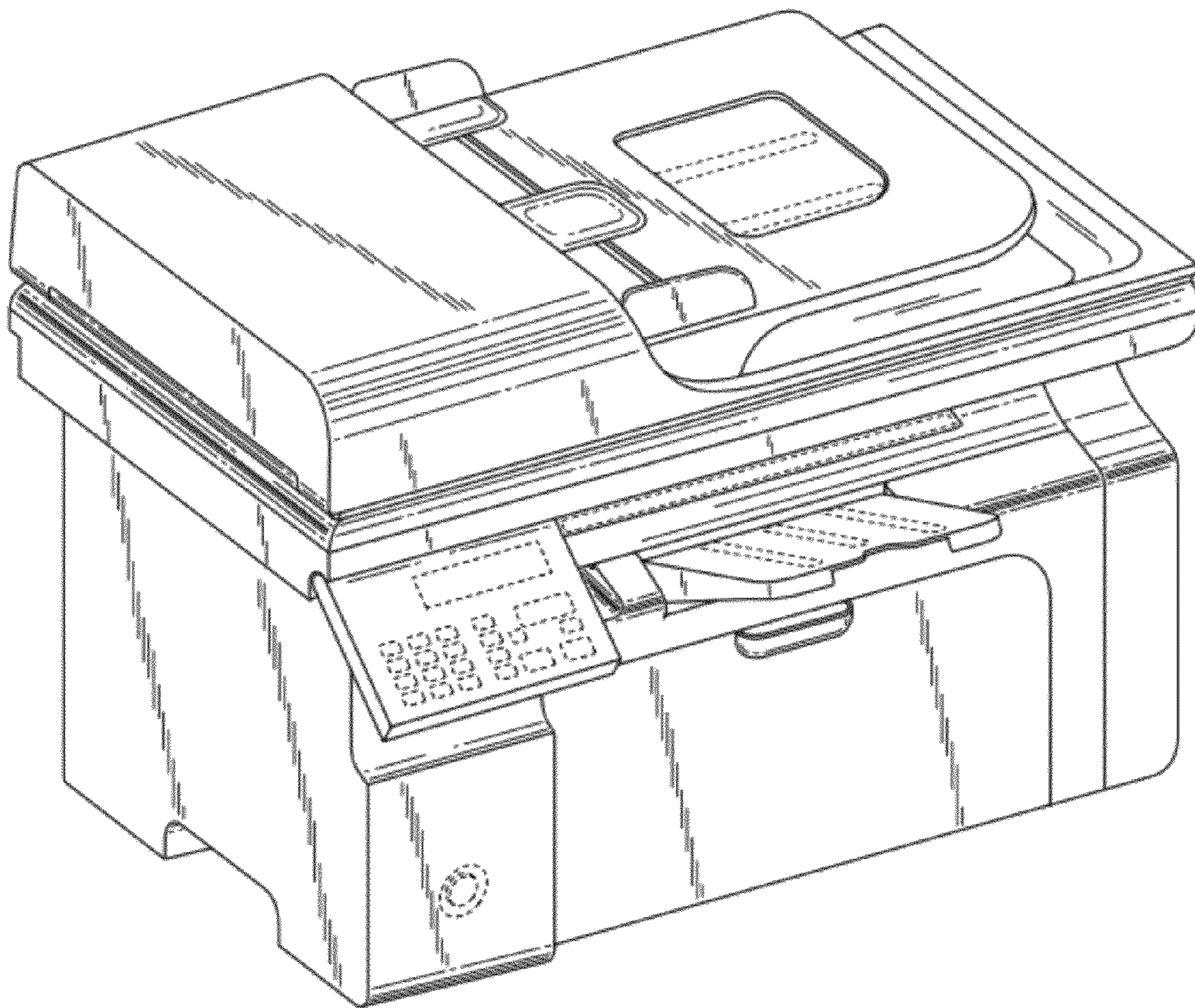


Fig. 8