

US00D666235S

(12) **United States Design Patent**
Tatara et al.

(10) **Patent No.:** **US D666,235 S**
(45) **Date of Patent:** **** Aug. 28, 2012**

(54) **HOLDER OF PORTABLE DISPLAY DEVICES FOR PROJECTOR**

(75) Inventors: **Yoshihiro Tatara**, Matsumoto (JP);
Tetsu Nakayama, Matsumoto (JP);
Yasutomo Takahashi, Matsumoto (JP);
Sei Nakanishi, Matsumoto (JP); **Takuya Hatano**, Matsumoto (JP)

(73) Assignee: **Seiko Epson Corporation**, Tokyo (JP)

(**) Term: **14 Years**

(21) Appl. No.: **29/402,779**

(22) Filed: **Sep. 27, 2011**

(30) **Foreign Application Priority Data**

Jun. 2, 2011 (JP) 2011-012544

(51) **LOC (9) Cl.** **16-02**

(52) **U.S. Cl.** **D16/235**

(58) **Field of Classification Search** D16/203,
D16/219, 221, 225, 229, 230-232, 235, 241-242,
D16/245; D8/71-73, 349, 351, 354, 380;
D6/512-513; 353/115, 119, 122; 248/276.1,
248/290.1, 298.1, 309.1, 201, 205.1, 229.16,
248/227.2, 227.4

See application file for complete search history.

(56) **References Cited**

U.S. PATENT DOCUMENTS

D218,575	S *	9/1970	Wally, Jr.	D16/235
D316,027	S *	4/1991	Geeting et al.	D8/349
6,793,348	B2 *	9/2004	Lee et al.	353/119
7,874,684	B2 *	1/2011	Chang	353/119
7,887,199	B2 *	2/2011	Cheng et al.	353/119
7,980,708	B2 *	7/2011	Ishikawa et al.	353/119
8,042,957	B2 *	10/2011	Li	353/119

* cited by examiner

Primary Examiner — Wan Laymon

(74) *Attorney, Agent, or Firm* — Oliff & Berridge, PLC

(57) **CLAIM**

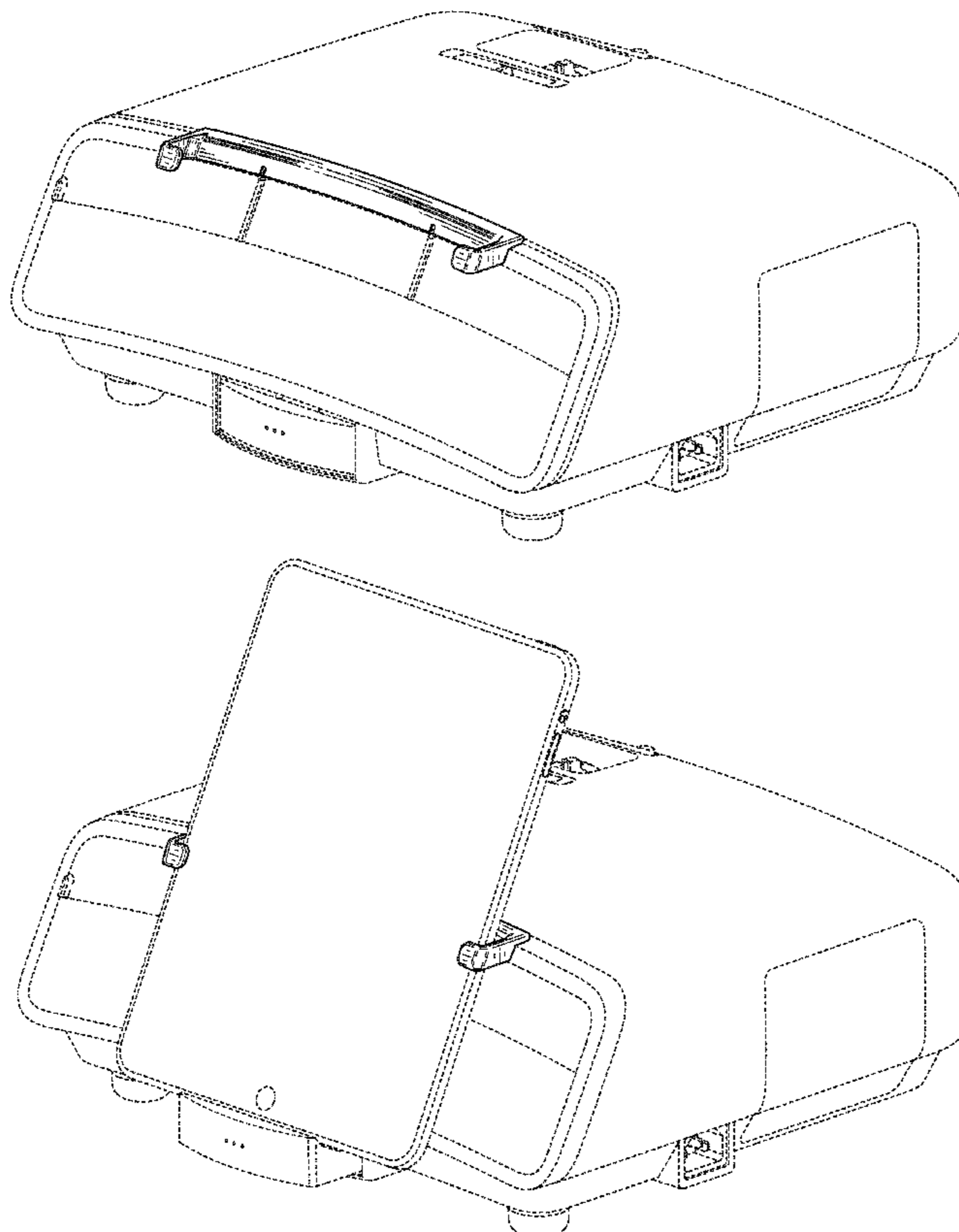
The ornamental design for a holder of portable display devices for projector, as shown and described.

DESCRIPTION

FIG. 1 is a top, rear, left-side perspective view of a holder of portable display devices for projector;
FIG. 2 is another top, rear, left-side perspective view thereof with a display device disposed in the holder;
FIG. 3 is front view thereof;
FIG. 4 is a rear view thereof;
FIG. 5 is a left-side view thereof;
FIG. 6 is a right-side view thereof;
FIG. 7 is a top view thereof; and,
FIG. 8 is a bottom view thereof.

The broken lines depict environmental subject matter only and form no part of the claimed design.

1 Claim, 8 Drawing Sheets



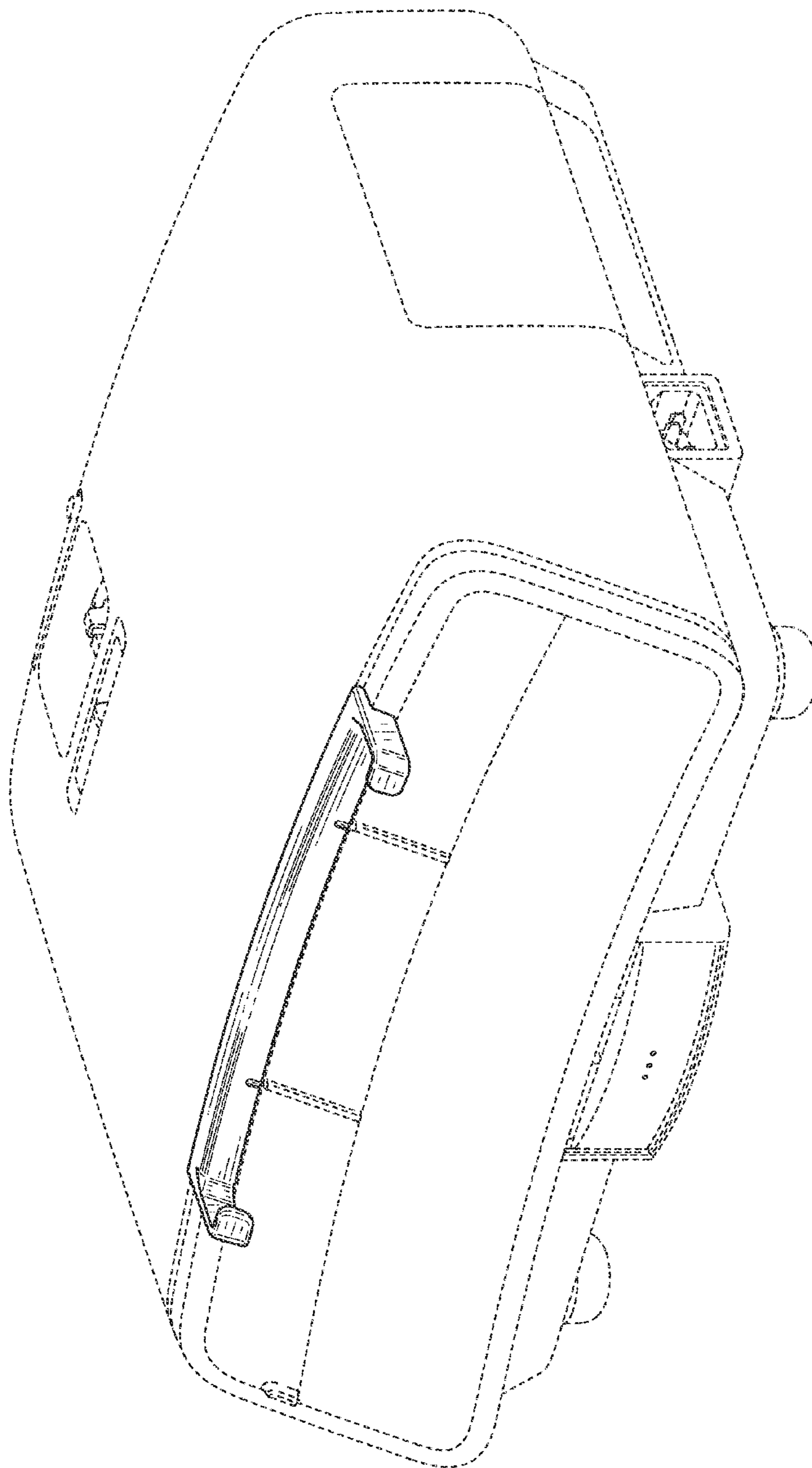


FIG. 1

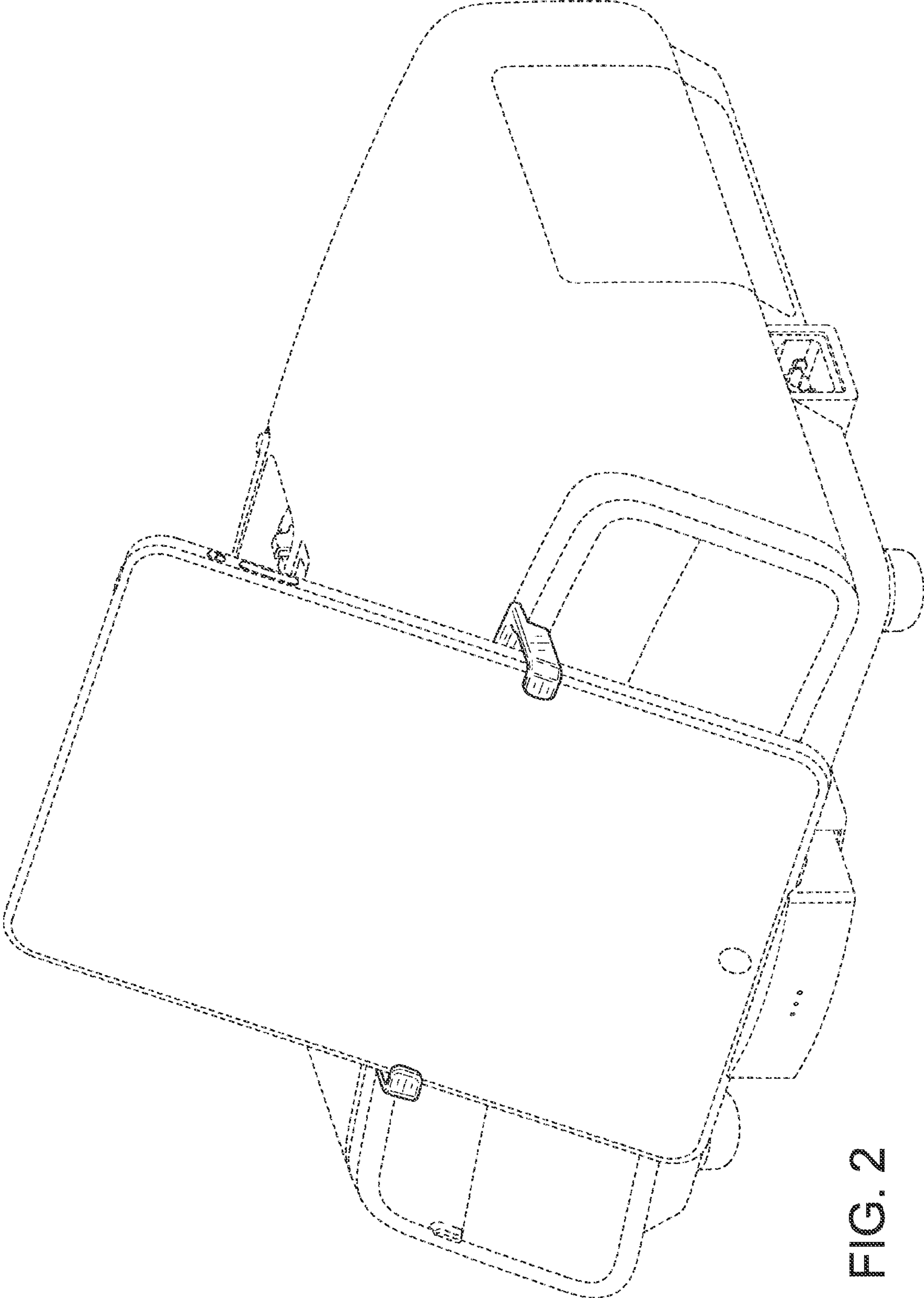


FIG. 2

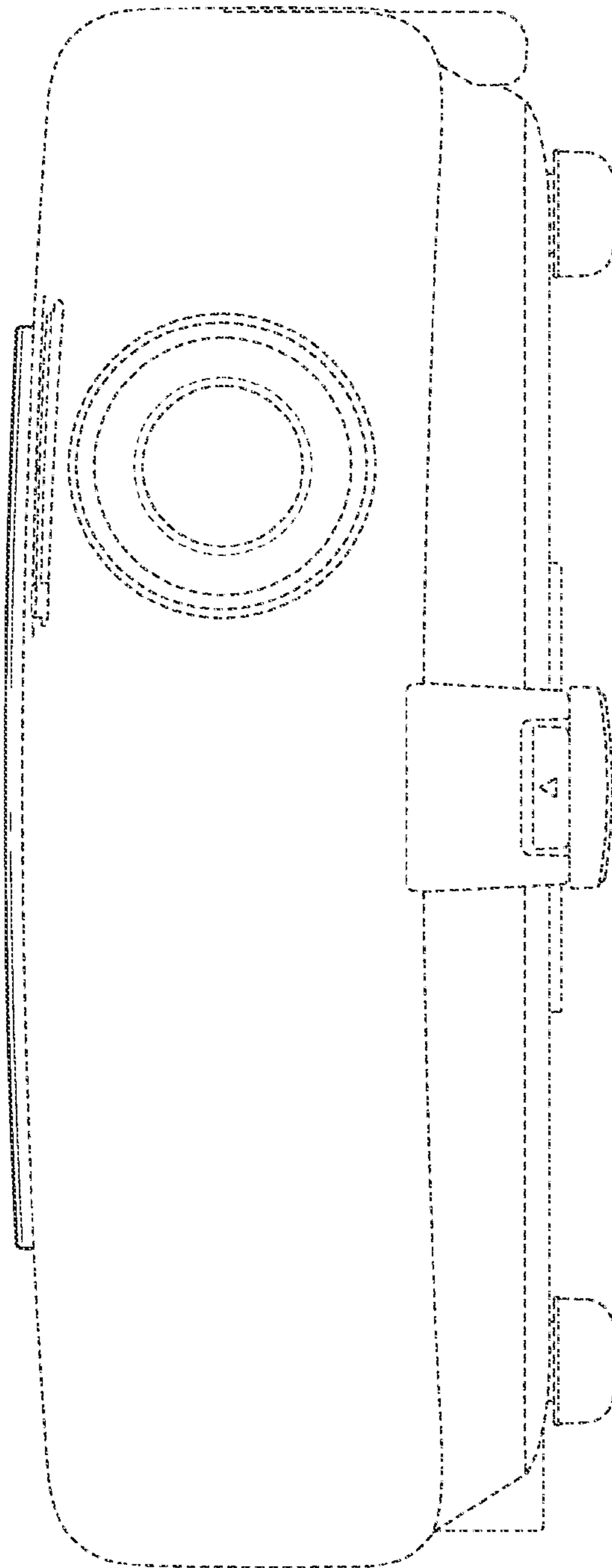


FIG. 3

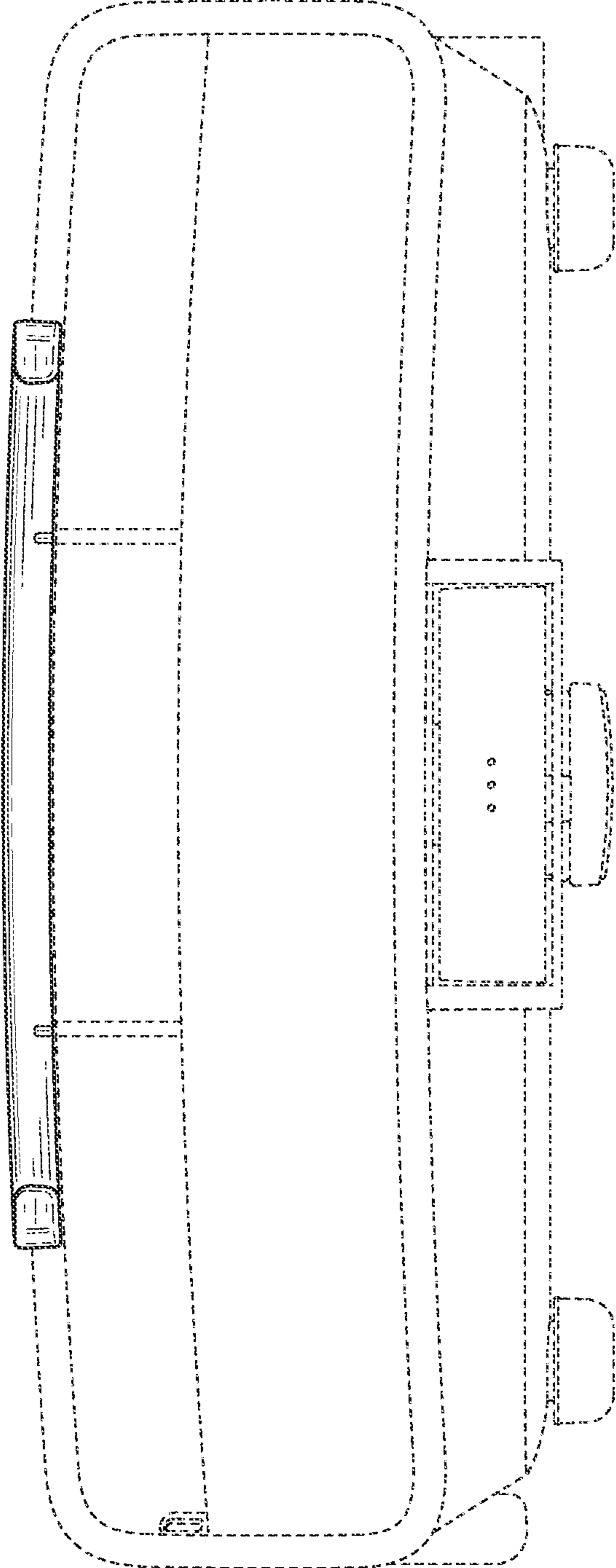


FIG. 4

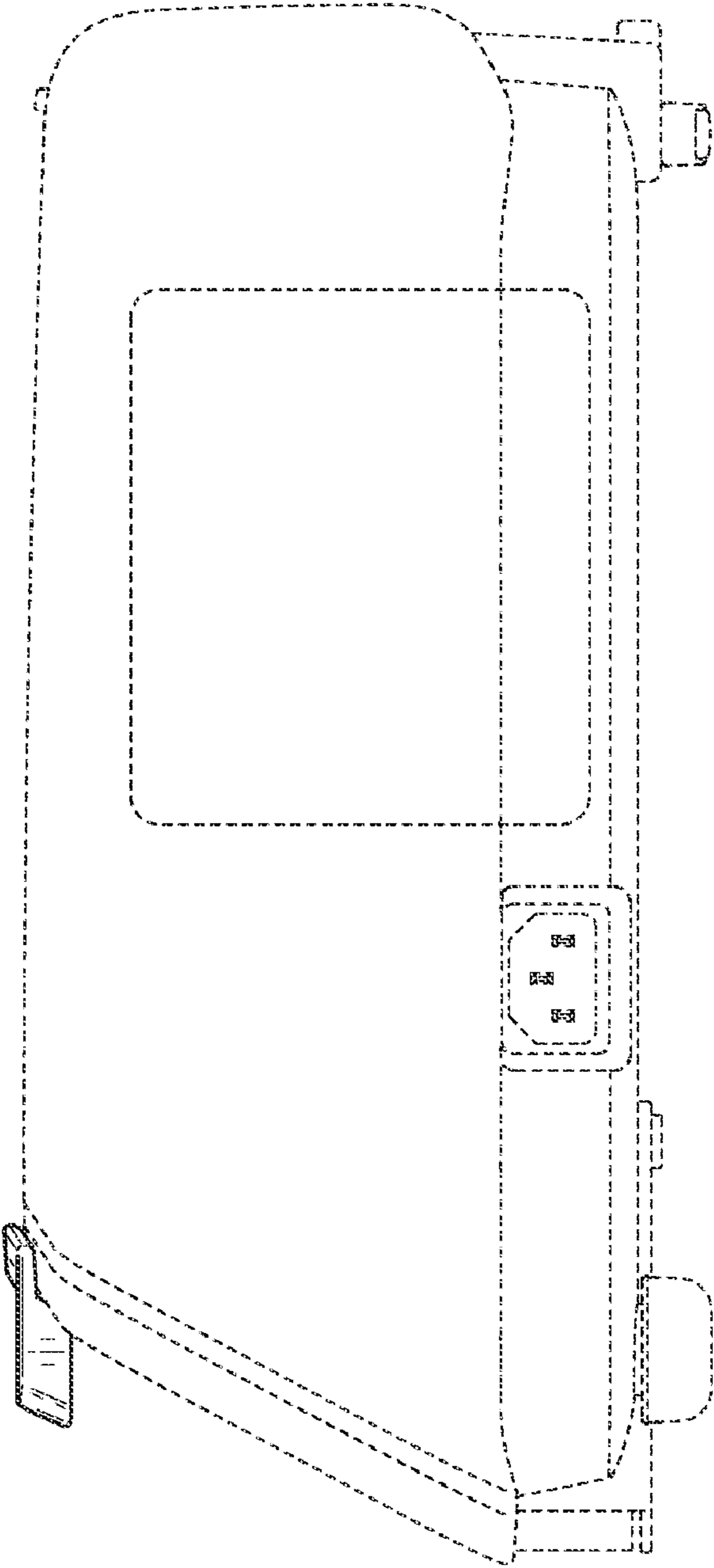


FIG. 5

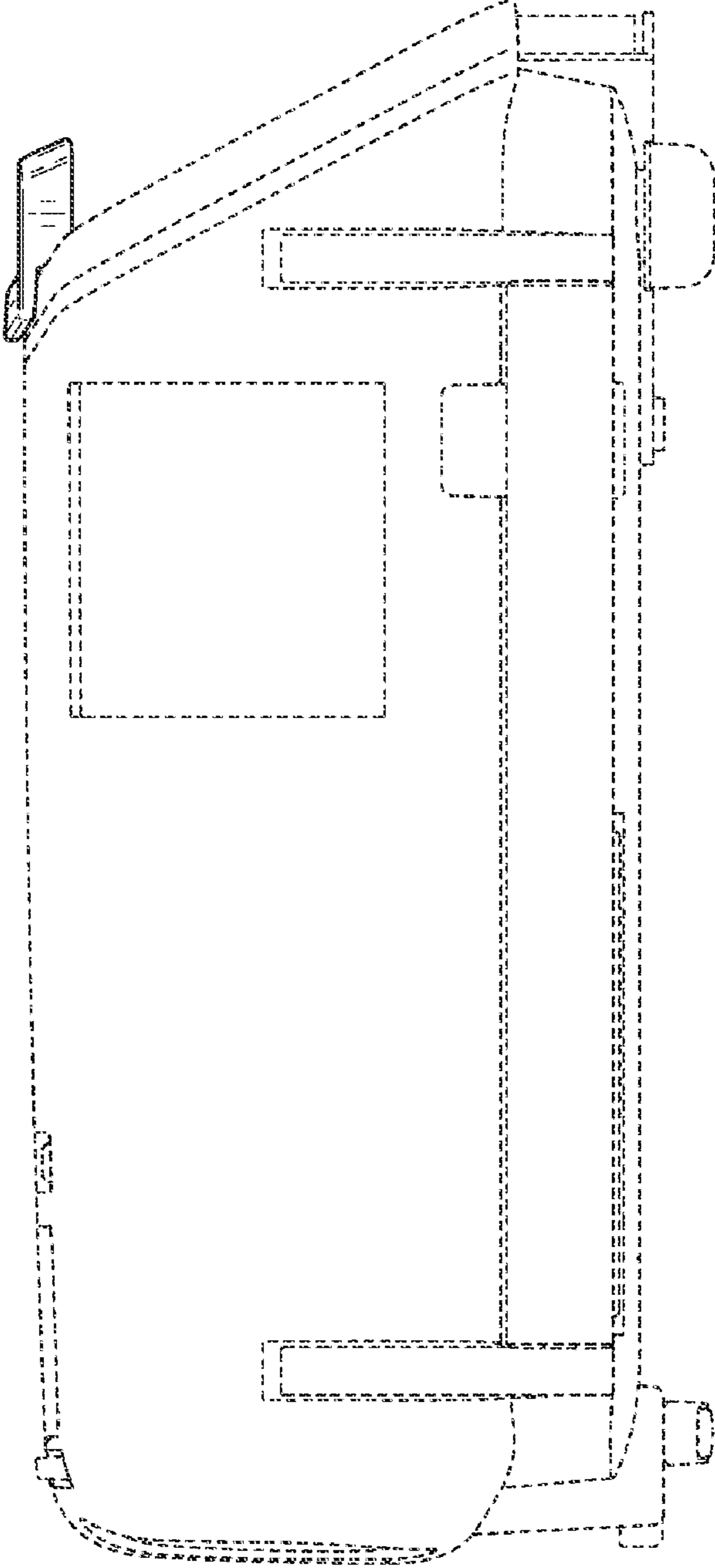


FIG. 6

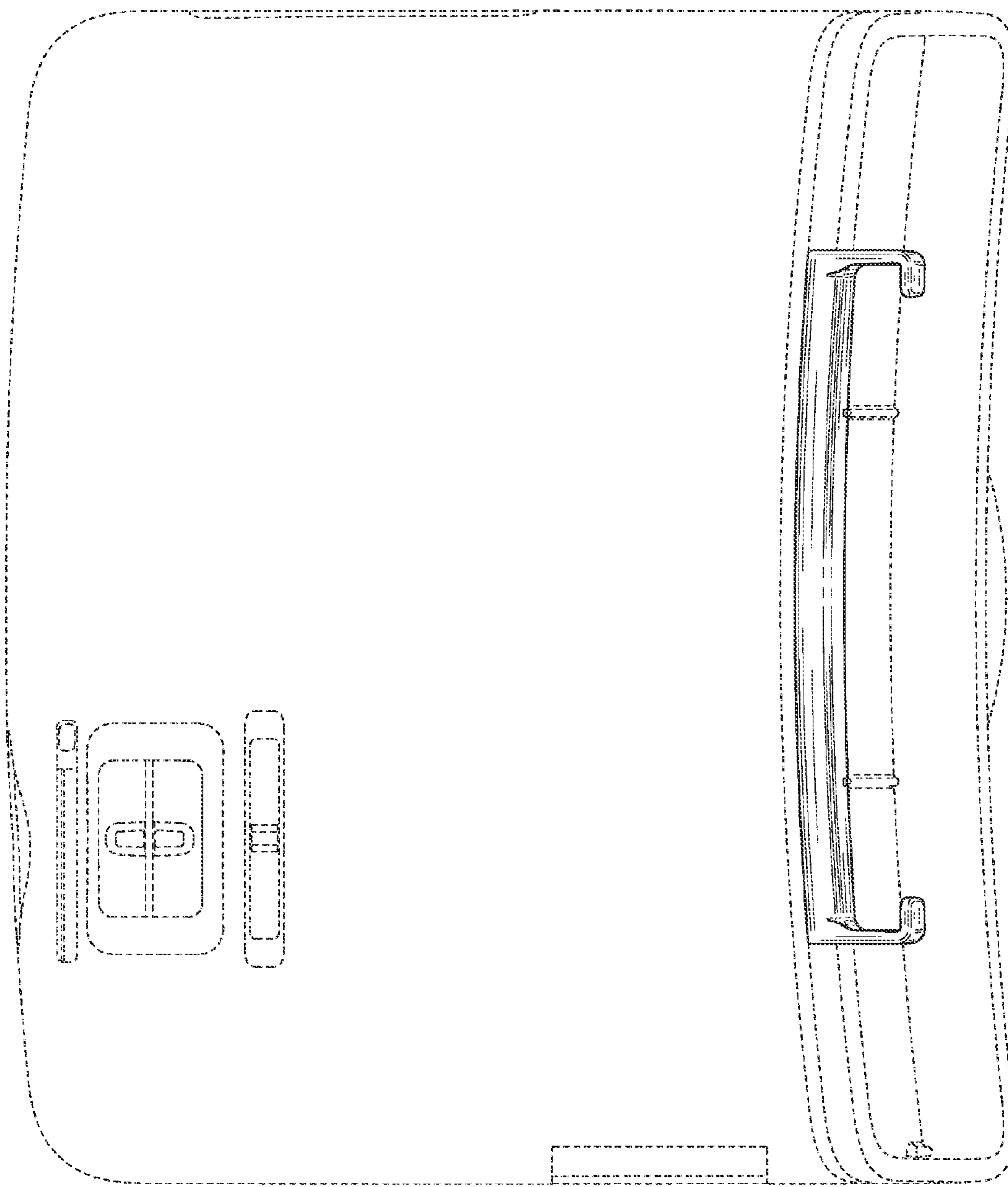


FIG. 7

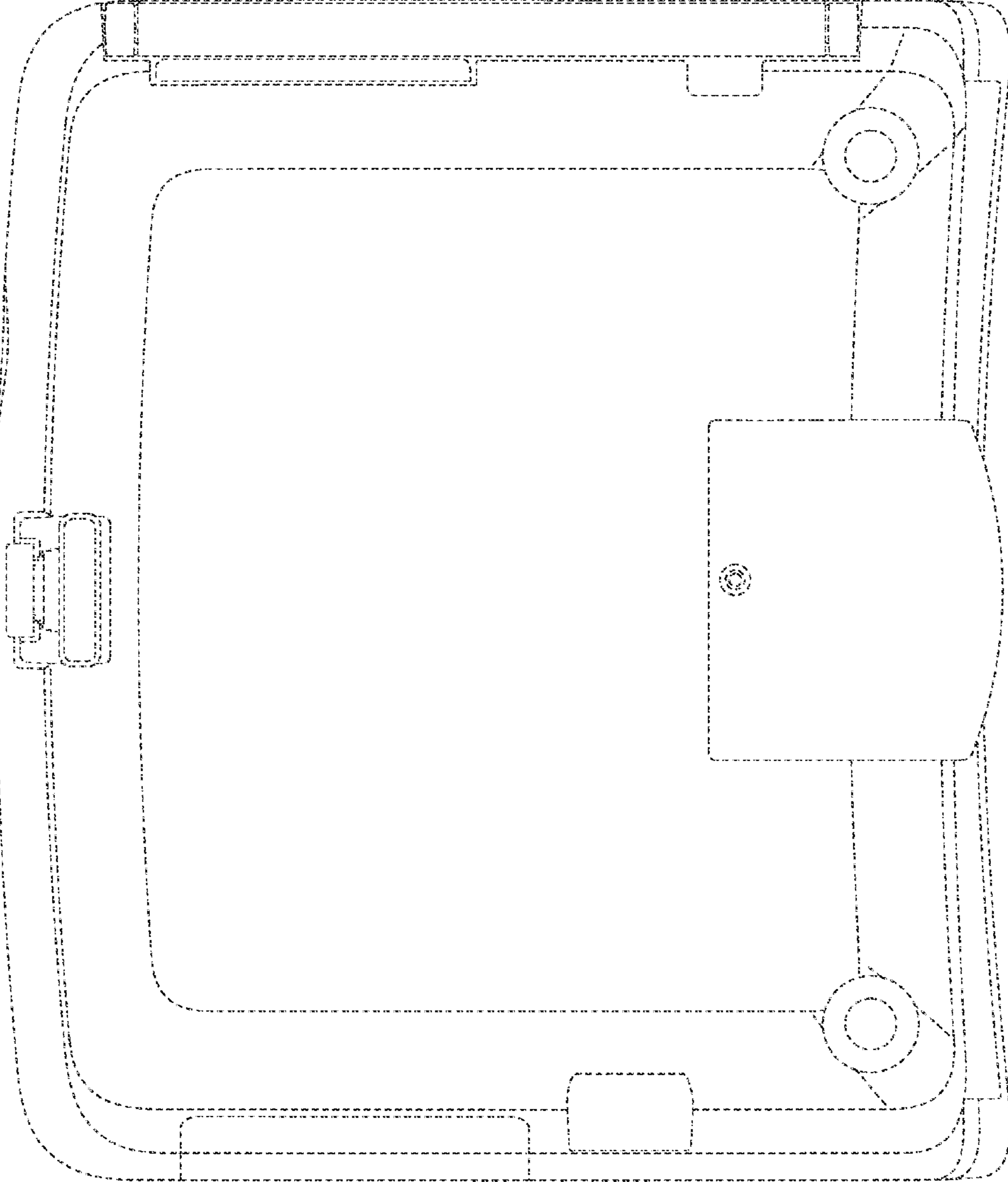


FIG. 8