



US00D666234S

(12) **United States Design Patent**
Stimel, Jr.

(10) **Patent No.:** **US D666,234 S**

(45) **Date of Patent:** **** *Aug. 28, 2012**

(54) **CAMERA BEZEL**

(75) Inventor: **William E. Stimel, Jr.**, Alexandria, OH (US)

(73) Assignee: **CVG Management Corporation**, New Albany, OH (US)

(*) Notice: This patent is subject to a terminal disclaimer.

(**) Term: **14 Years**

(21) Appl. No.: **29/369,693**

(22) Filed: **Sep. 11, 2010**

(51) **LOC (9) Cl.** **16-01**

(52) **U.S. Cl.** **D16/202**

(58) **Field of Classification Search** D16/200, D16/202, 204, 208, 212, 218, 219, 213; 348/373, 348/374, 375, 376; 358/909.1; 396/349, 396/448, 535, 536, 537, 538, 539, 540, 541; D21/470; D14/496, 256

See application file for complete search history.

(56) **References Cited**

U.S. PATENT DOCUMENTS

D321,525 S *	11/1991	Izumi et al.	D16/219
D542,807 S *	5/2007	Long et al.	D14/496
D549,707 S *	8/2007	Depay	D14/434
D550,576 S *	9/2007	Millar et al.	D10/121
D568,414 S *	5/2008	Myers	D21/370
D589,531 S *	3/2009	Fullerton	D14/496
D623,641 S *	9/2010	Harden et al.	D14/253
D657,809 S *	4/2012	Harden et al.	D16/202

* cited by examiner

Primary Examiner — Cynthia Underwood

(74) *Attorney, Agent, or Firm* — Kegler, Brown, Hill & Ritter; James J. Pingor

(57) **CLAIM**

The ornamental design for a camera bezel, as shown and described.

DESCRIPTION

FIG. 1 is a top and back perspective view of the camera bezel shown in an environment of use with the broken lines representing a truck that forms no part of the claim.

FIG. 2 is a top view of a camera bezel;

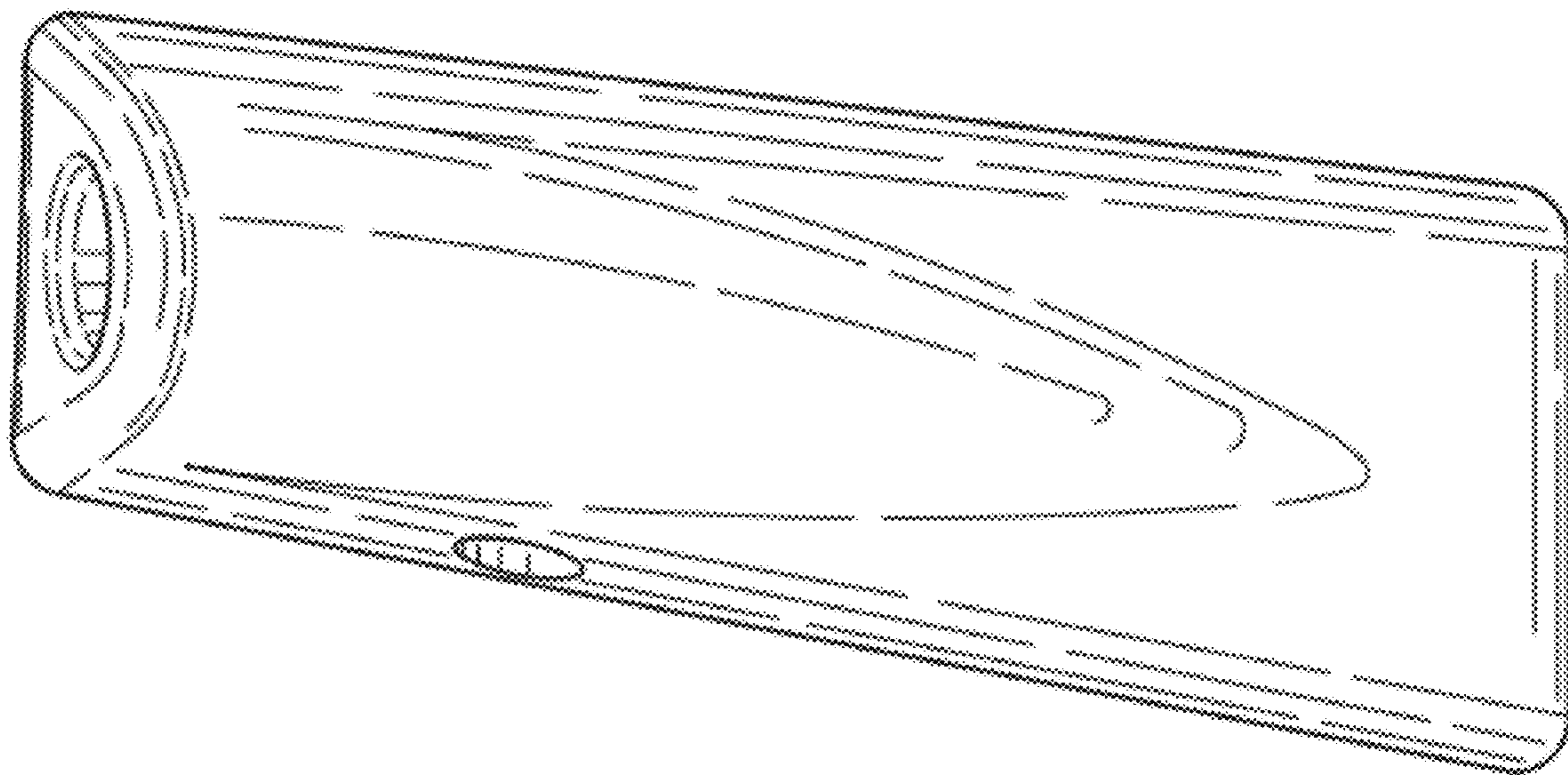
FIG. 3 is a side view from the left side of FIG. 2;

FIG. 4 is a bottom view thereof;

FIG. 5 is a top front perspective view thereof; and,

FIG. 6 is a bottom front perspective view thereof.

1 Claim, 3 Drawing Sheets



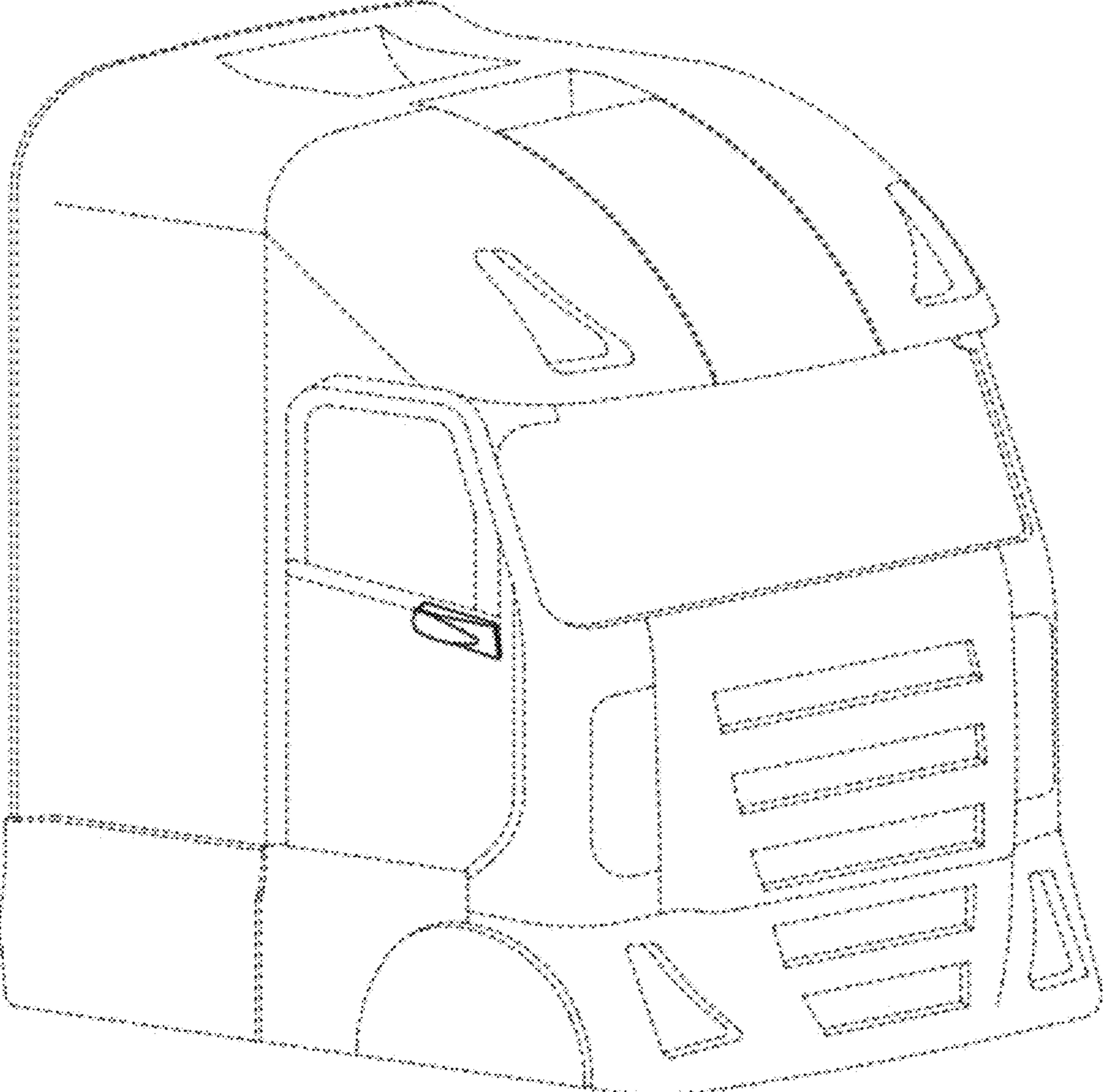


Fig. 1

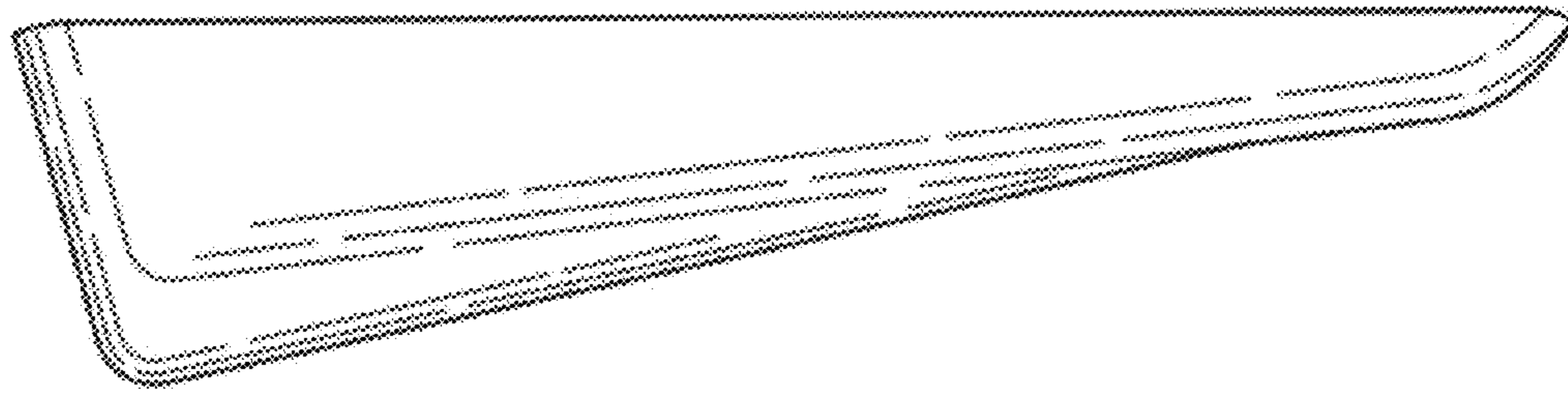


Fig. 2

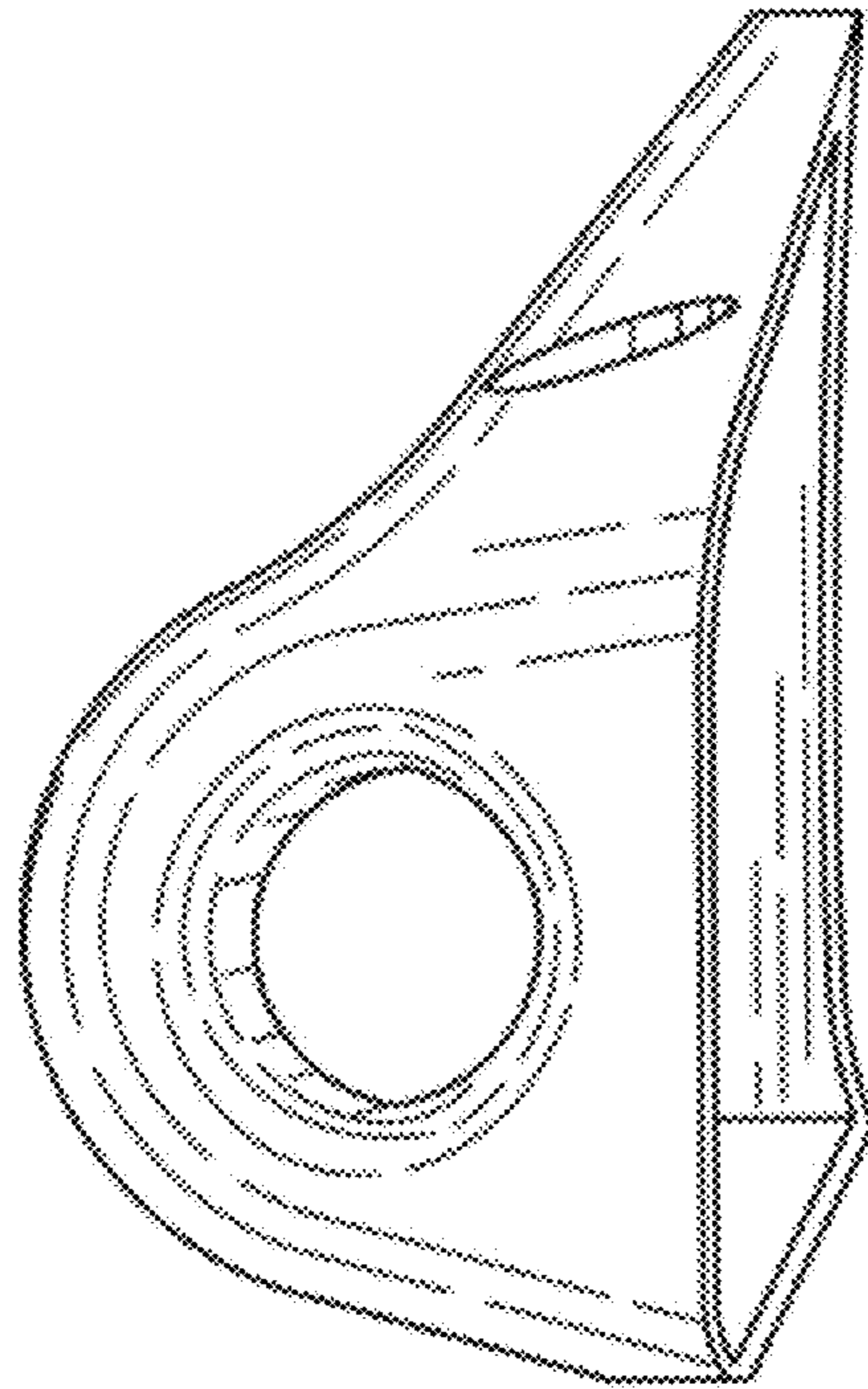


Fig. 3

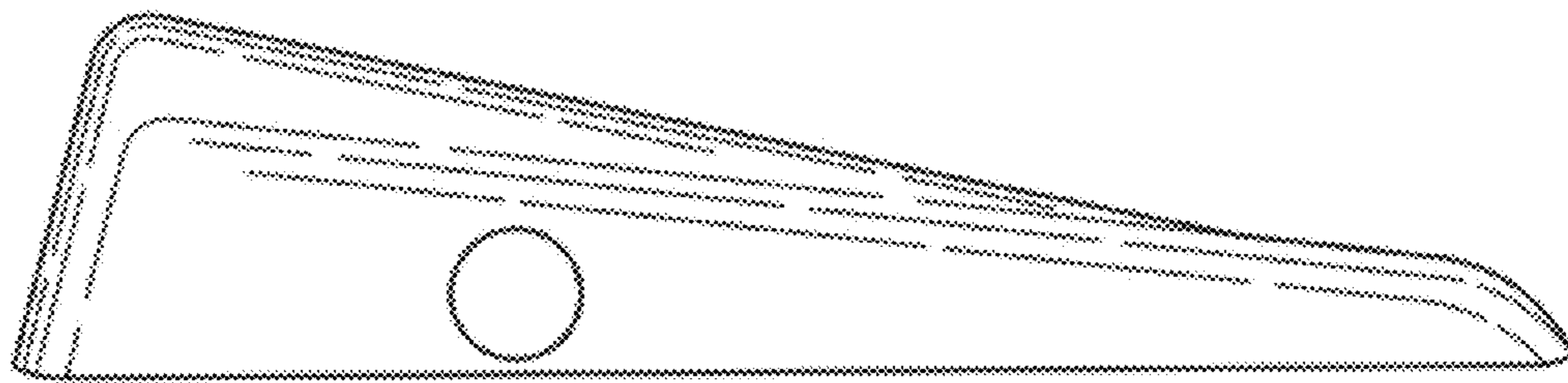


Fig. 4

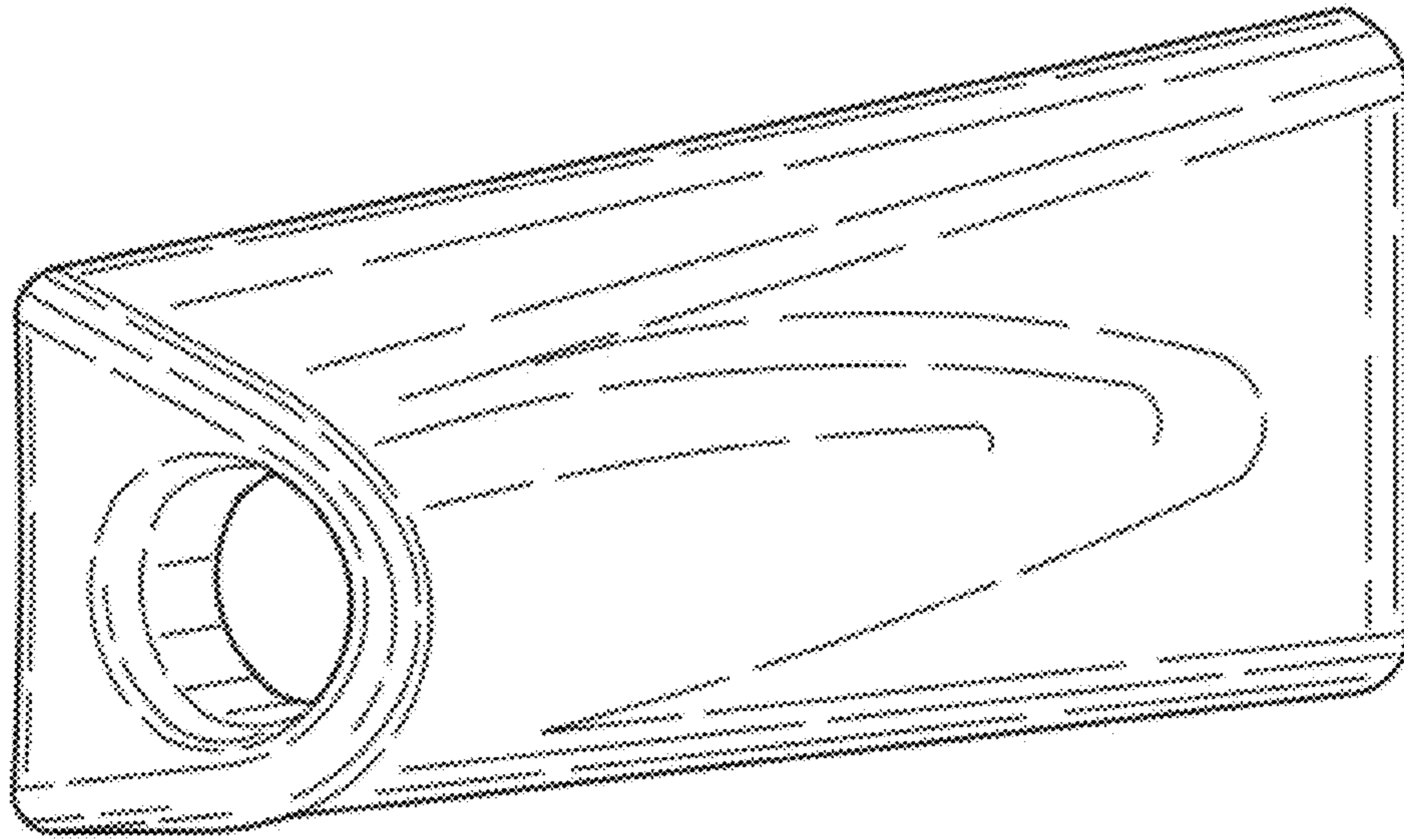


Fig. 5

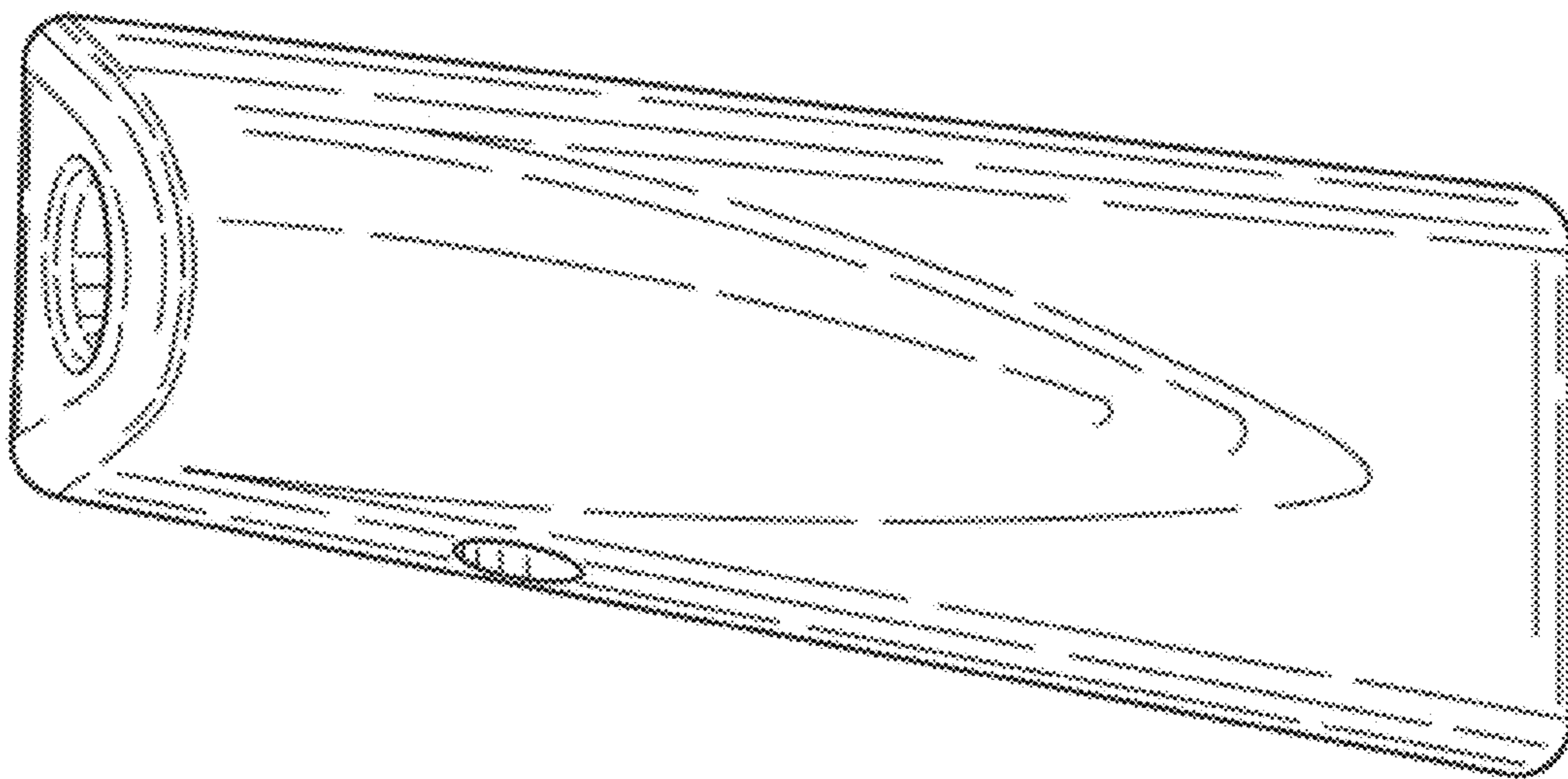


Fig. 6