

US00D666232S

(12) **United States Design Patent**
Fischbach

(10) **Patent No.:** **US D666,232 S**

(45) **Date of Patent:** **** *Aug. 28, 2012**

(54) **BINOCULARS**

(75) Inventor: **Manfred Fischbach,**
Himmelkorn-Gössenreuth (DE)

(73) Assignee: **Steiner-Optik GmbH,** Bayreuth (DE)

(*) Notice: This patent is subject to a terminal disclaimer.

(**) Term: **14 Years**

(21) Appl. No.: **29/384,268**

(22) Filed: **Jan. 28, 2011**

(30) **Foreign Application Priority Data**

Jul. 30, 2010 (EP) 001738162

(51) **LOC (9) Cl.** **16-06**

(52) **U.S. Cl.** **D16/133**

(58) **Field of Classification Search** D16/133;
359/407, 408, 410, 411, 412, 413, 414, 415,
359/416, 417, 418, 419, 420, 808, 809, 810,
359/811, 813, 815, 817, 819, 822
See application file for complete search history.

(56) **References Cited**

U.S. PATENT DOCUMENTS

3,484,149 A * 12/1969 Becker et al. 359/414
D223,298 S * 4/1972 Senda et al. D16/133
4,848,887 A * 7/1989 Addy et al. 359/413

4,867,533 A * 9/1989 Akin, Jr. 359/425
D307,154 S * 4/1990 Shishikura D16/133
D359,972 S * 7/1995 Takahashi D16/133
D397,127 S * 8/1998 Chang D16/133
D470,160 S * 2/2003 Meinzer D16/133
D472,257 S * 3/2003 Fujii D16/133
D507,289 S * 7/2005 Meinzer D16/133
D523,047 S * 6/2006 Swift et al. D16/133
D523,885 S * 6/2006 Hayashi D16/133
D551,272 S * 9/2007 Fujii D16/133
D567,275 S * 4/2008 Hayamizu D16/133
D592,690 S * 5/2009 Steiner D16/133
D627,378 S * 11/2010 Watanabe D16/133

* cited by examiner

Primary Examiner — Paula Greene

(74) *Attorney, Agent, or Firm* — Laurence A. Greenberg;
Werner H. Stemer; Ralph E. Locher

(57) **CLAIM**

The ornamental design for binoculars, as shown and described.

DESCRIPTION

FIG. 1 is a front, top perspective view of the binoculars, showing my new design;
FIG. 2 is a top view thereof;
FIG. 3 is a bottom view thereof;
FIG. 4 is a left side elevation view thereof;
FIG. 5 is a right side elevation view thereof;
FIG. 6 is a rear view thereof; and,
FIG. 7 is a front view thereof.
The broken lines form no part of the claimed design.

1 Claim, 3 Drawing Sheets

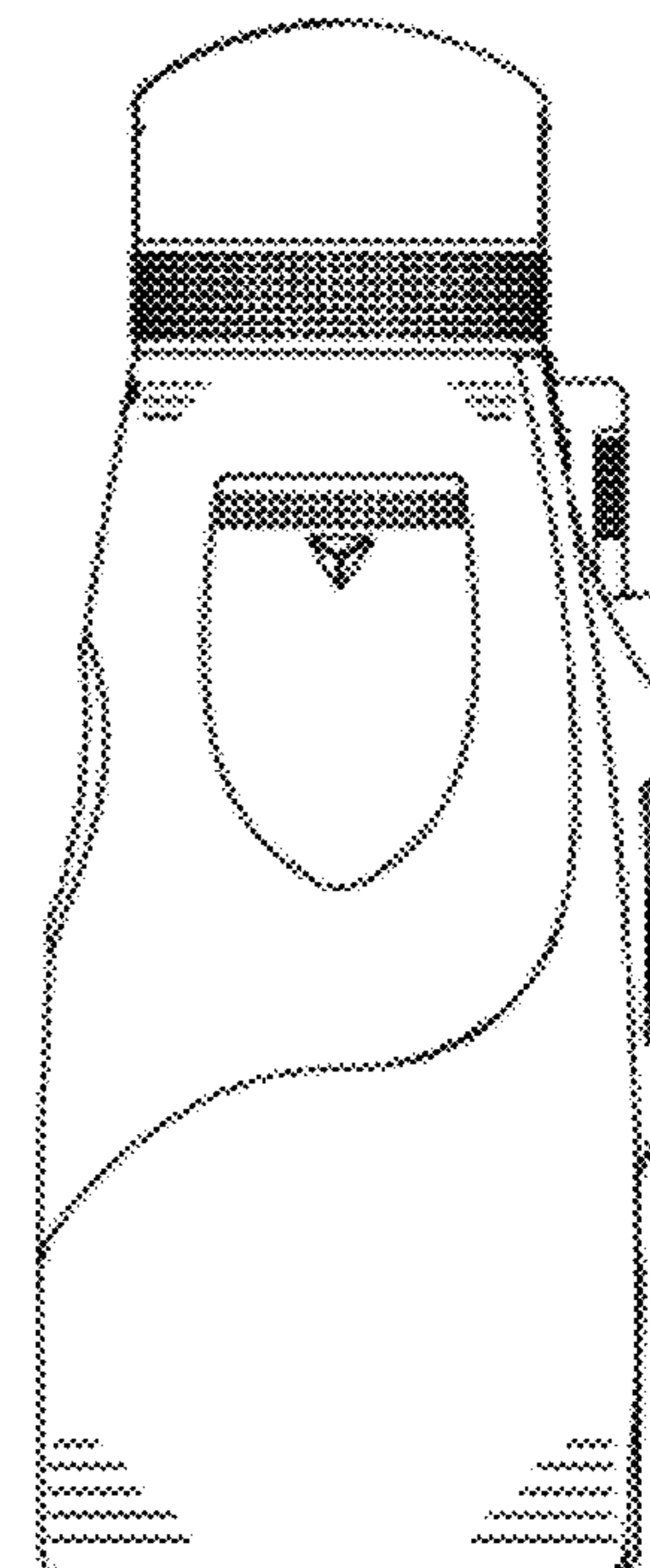
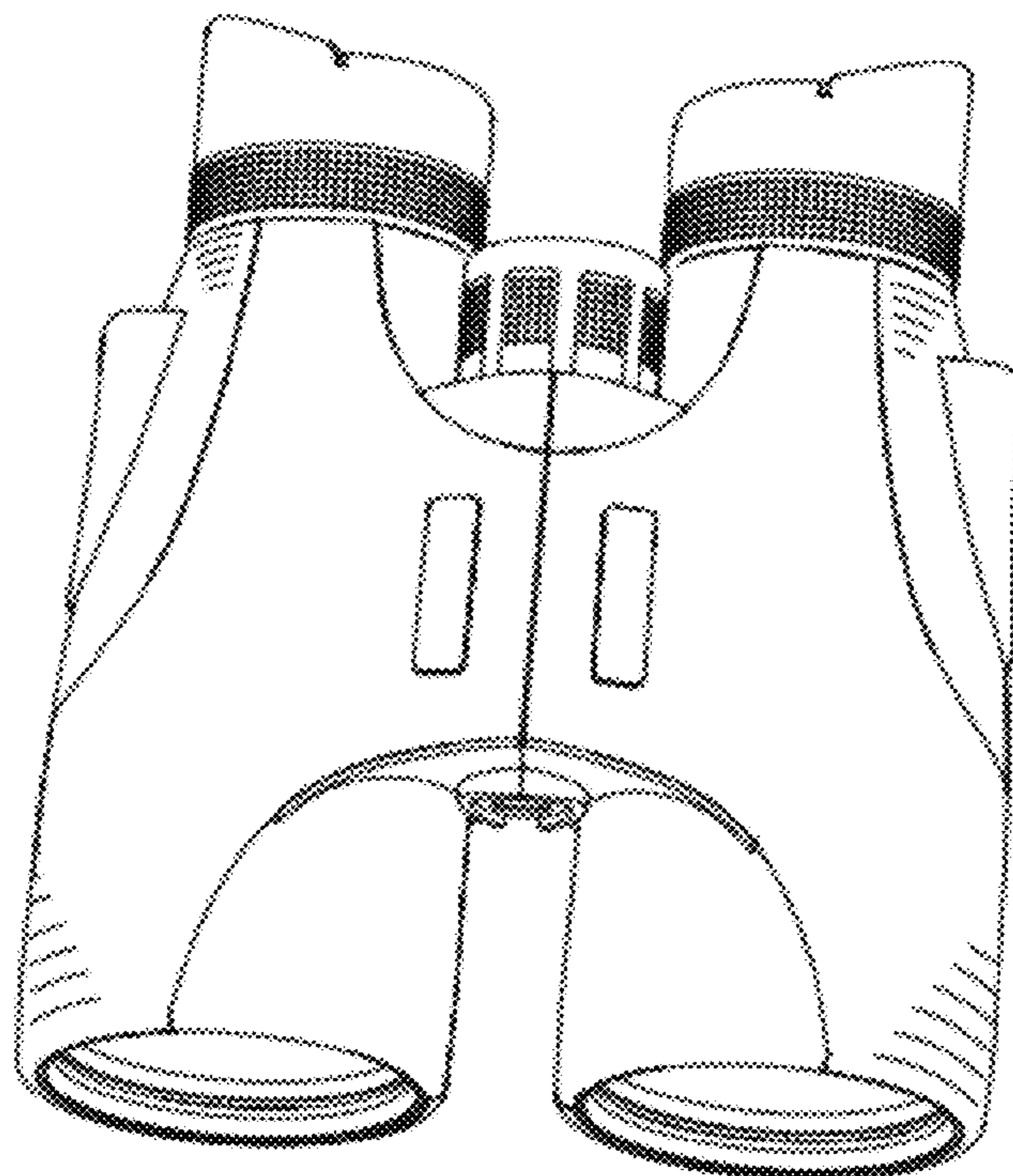


FIG. 1

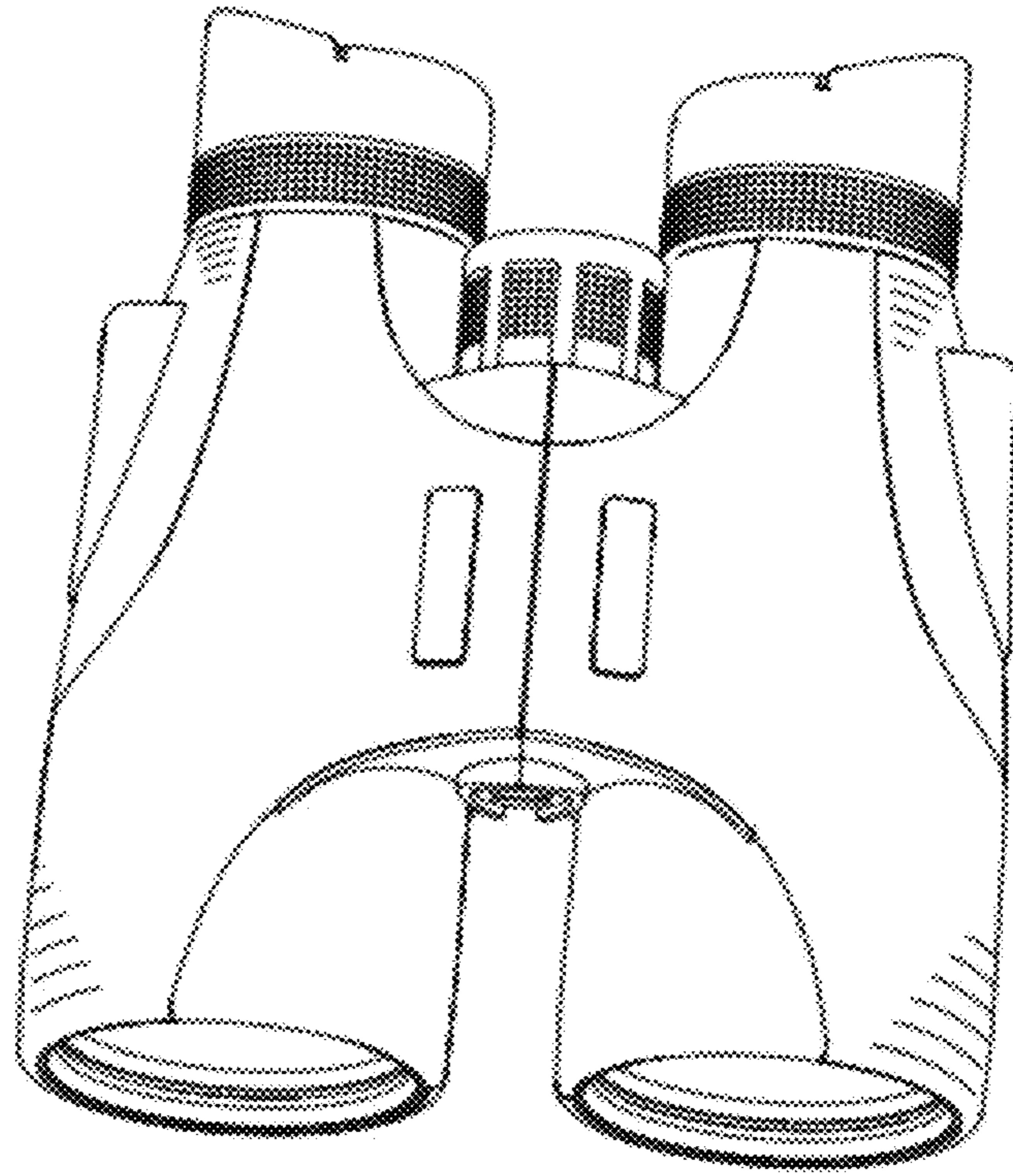
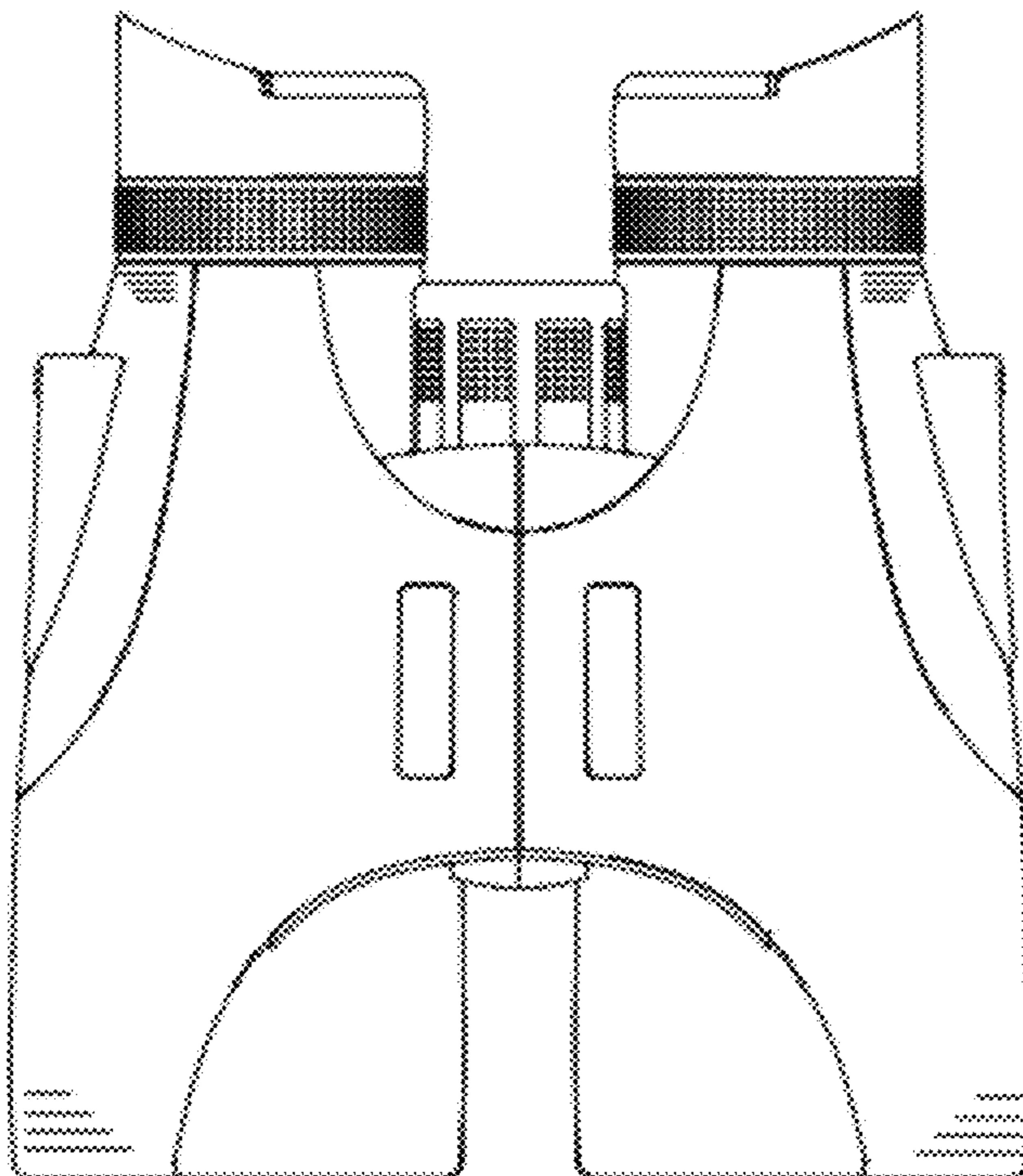


FIG. 2



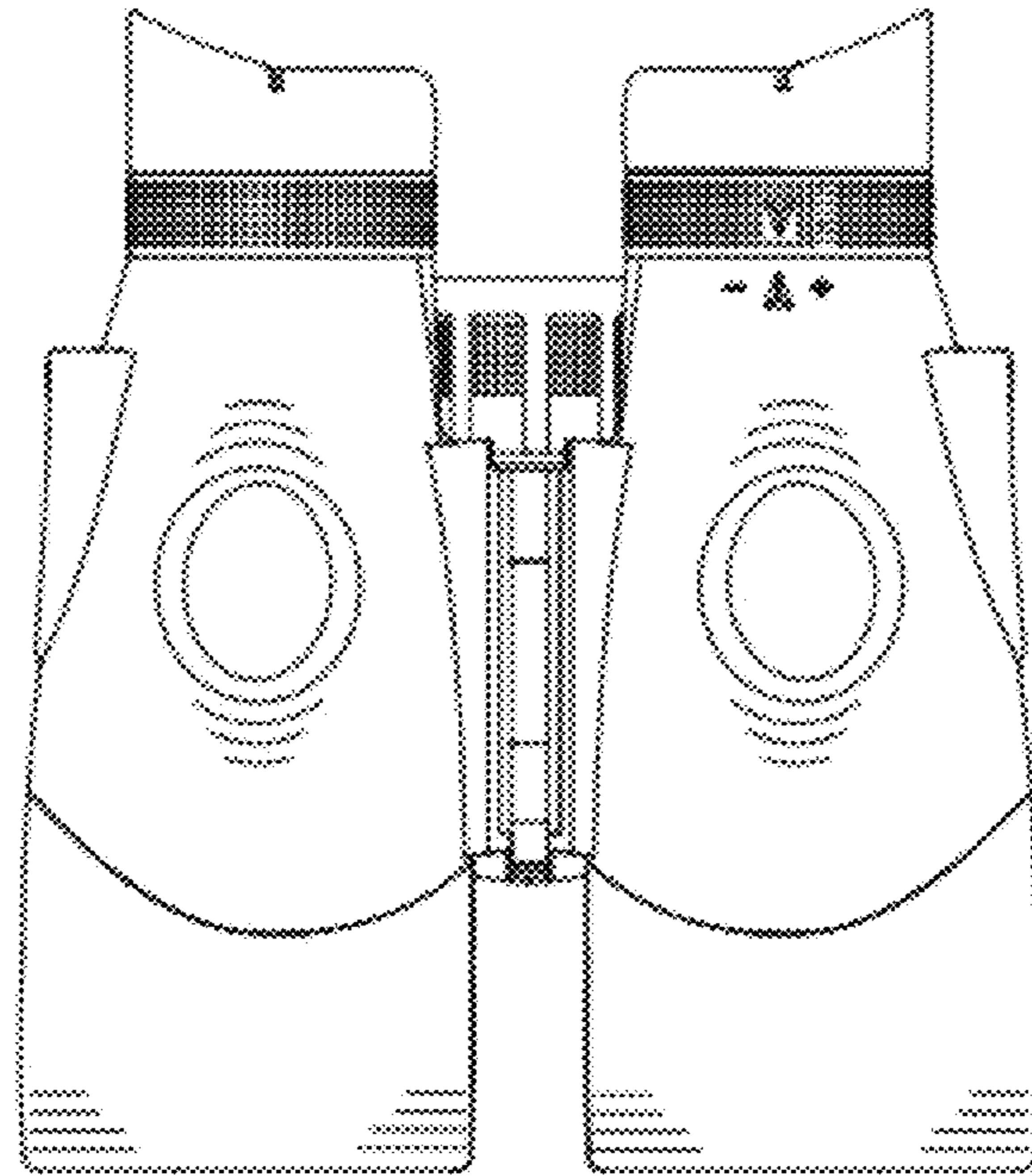


FIG. 3

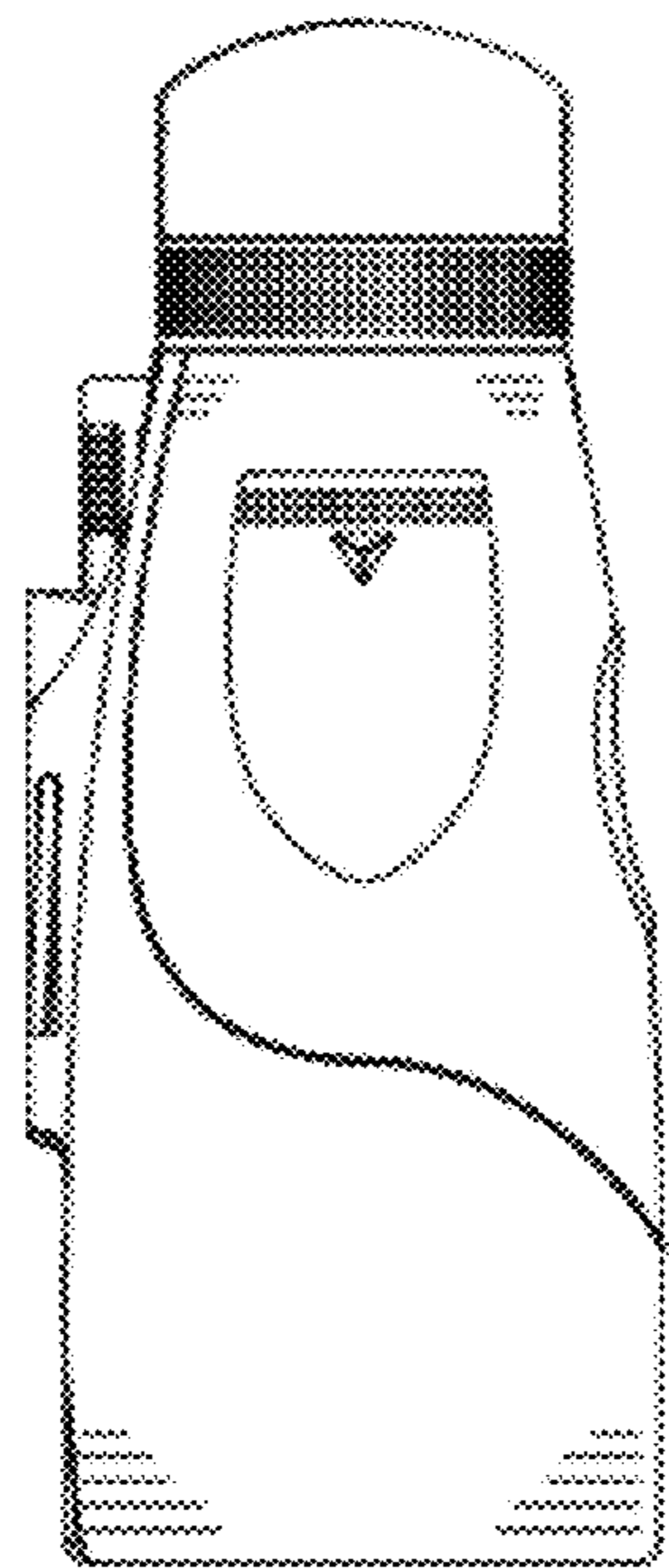


FIG. 4

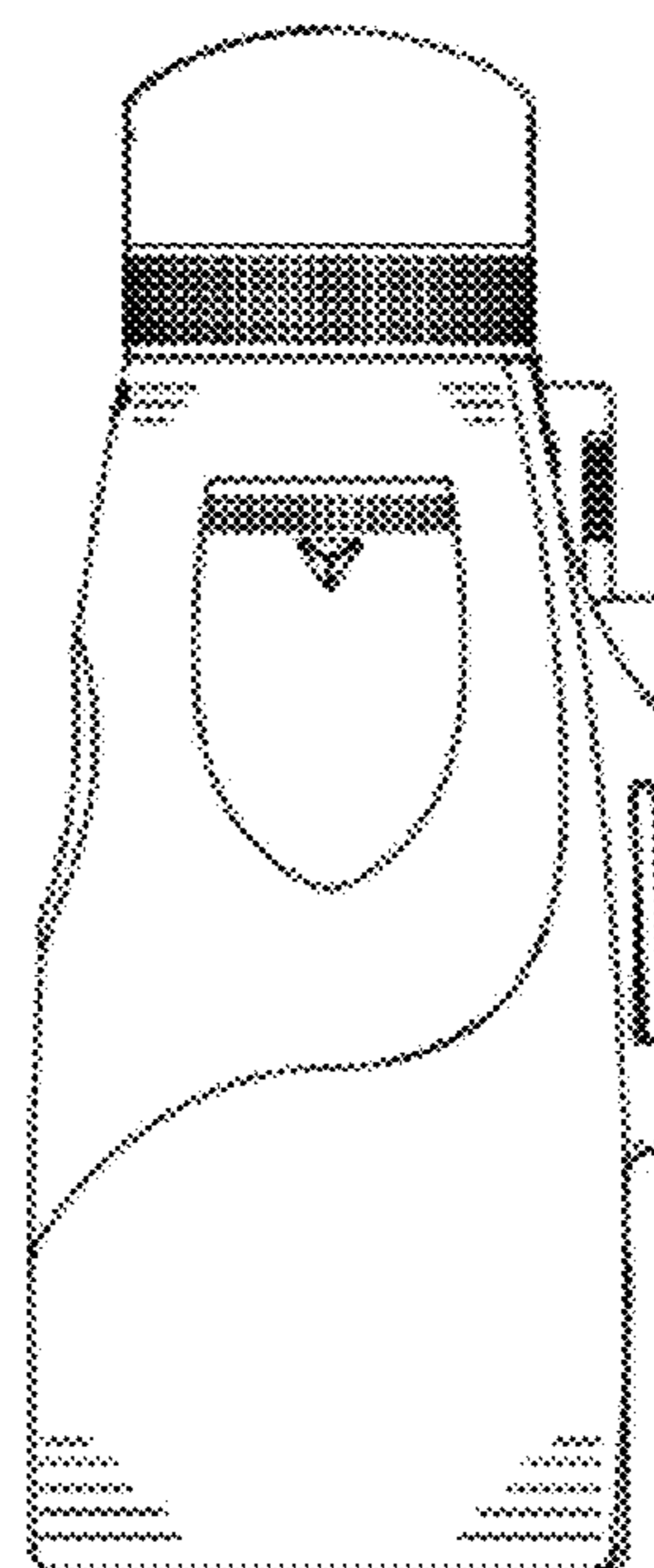


FIG. 5

FIG. 6

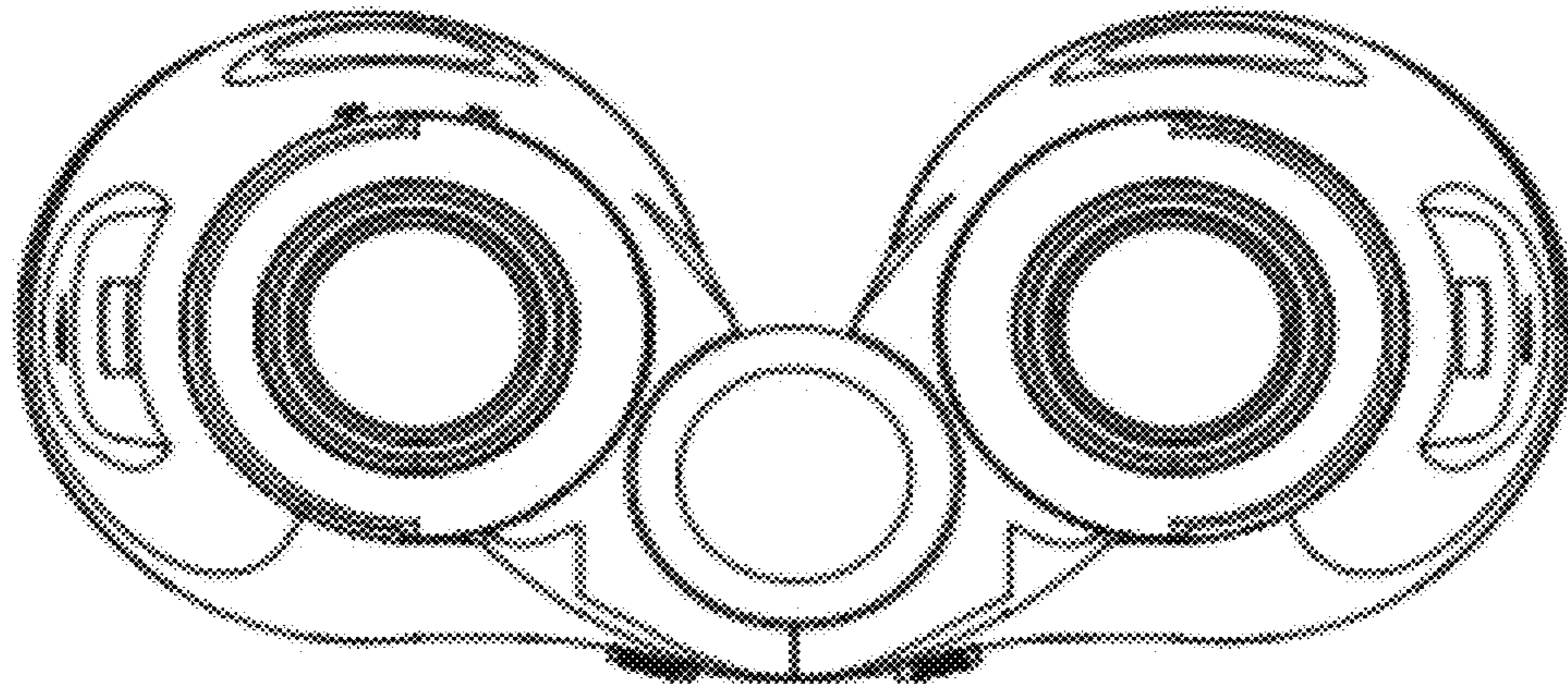


FIG. 7

