

US00D666231S

(12) **United States Design Patent**  
**Schneider**

(10) **Patent No.:** **US D666,231 S**

(45) **Date of Patent:** **\*\* \*Aug. 28, 2012**

(54) **OPTIC DEVICE SECURING STRUCTURE**

(75) Inventor: **Steven M. Schneider**, Germantown, WI (US)

(73) Assignee: **Satisloh North America, Inc.**, Germantown, WI (US)

(\*) Notice: This patent is subject to a terminal disclaimer.

(\*\*) Term: **14 Years**

(21) Appl. No.: **29/387,637**

(22) Filed: **Mar. 16, 2011**

(51) **LOC (9) Cl.** ..... **16-06**

(52) **U.S. Cl.** ..... **D16/130; D16/136**

(58) **Field of Classification Search** ..... D16/130, D16/136; D8/356; 451/285, 255, 365, 354, 451/460, 405, 384, 390; 359/611; D15/122, D15/124, 126, 143; 33/507

See application file for complete search history.

(56) **References Cited**

**U.S. PATENT DOCUMENTS**

1,184,496	A *	5/1916	Stenvall	451/384
2,225,193	A *	12/1940	Benner et al.	451/542
2,573,668	A *	10/1951	McCar et al.	451/460
2,853,925	A *	9/1958	Lee	359/827
2,861,402	A *	11/1958	Okenfuss	451/365
2,953,970	A *	9/1960	Maynard	359/611
3,118,198	A *	1/1964	Prunier	164/98
3,383,808	A *	5/1968	Deshayes et al.	451/390
3,996,701	A *	12/1976	Ramirez et al.	451/390
4,066,330	A *	1/1978	Jones	359/503
4,089,102	A *	5/1978	Soper et al.	29/527.5
D263,679	S	4/1982	Friberg	
4,358,913	A *	11/1982	Sorrells	451/390
D271,209	S *	11/1983	Feinbloom	D16/237
D272,745	S *	2/1984	Feinbloom et al.	D16/130
4,733,945	A *	3/1988	Bacich	359/820
4,844,606	A	7/1989	Smith	
4,867,563	A *	9/1989	Wurm et al.	356/328
4,915,663	A *	4/1990	Magers	446/219
4,951,349	A	8/1990	Dietrich et al.	
5,011,274	A	4/1991	Wagner	

5,069,586	A *	12/1991	Casey	411/339
5,177,907	A *	1/1993	Rothe et al.	451/390
D334,880	S	4/1993	Davey	
5,249,082	A *	9/1993	Newman	359/813
5,455,711	A *	10/1995	Palmer	359/353
5,466,106	A *	11/1995	Bone et al.	411/433
5,496,209	A *	3/1996	Gaebe	451/548
5,565,937	A	10/1996	Lee	
5,619,770	A *	4/1997	Bell	15/230.17
5,627,610	A	5/1997	Marui et al.	
5,638,147	A	6/1997	Wang-Lee	
5,649,856	A *	7/1997	Cook	451/460
5,669,807	A *	9/1997	Moreau et al.	451/460
5,748,281	A	5/1998	Simioni et al.	
5,760,867	A	6/1998	Pernicka et al.	
5,916,017	A *	6/1999	Sedlock	451/460
6,074,290	A *	6/2000	Ko et al.	451/390

(Continued)

**OTHER PUBLICATIONS**

U.S. Appl. No. 61/453,513 entitled "Securing Structure for Optic Device"; filed with the United States Patent and Trademark Office on Mar. 16, 2011.

(Continued)

*Primary Examiner* — Paula Green

(74) *Attorney, Agent, or Firm* — Whyte Hirschboeck Dudek S.C.

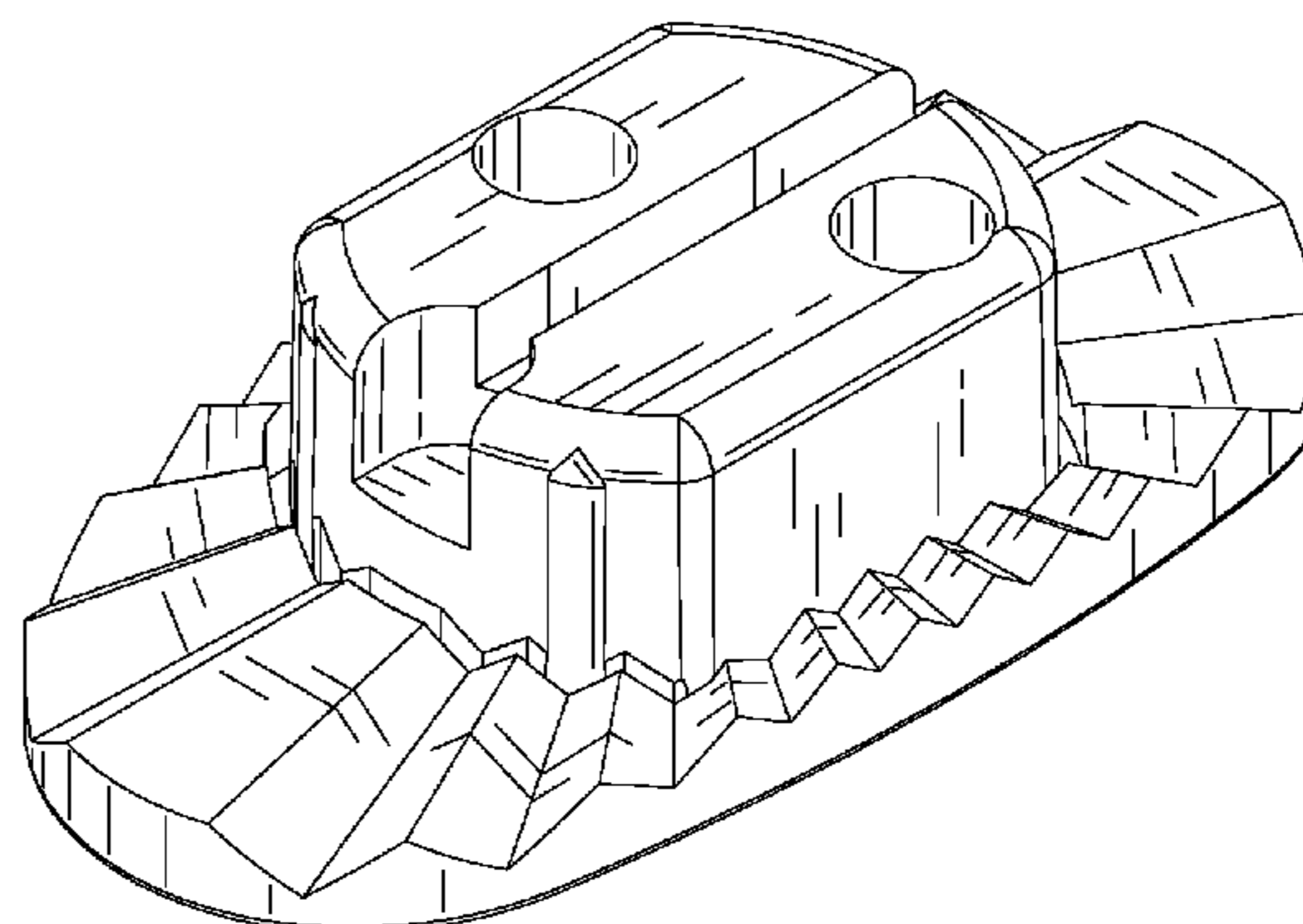
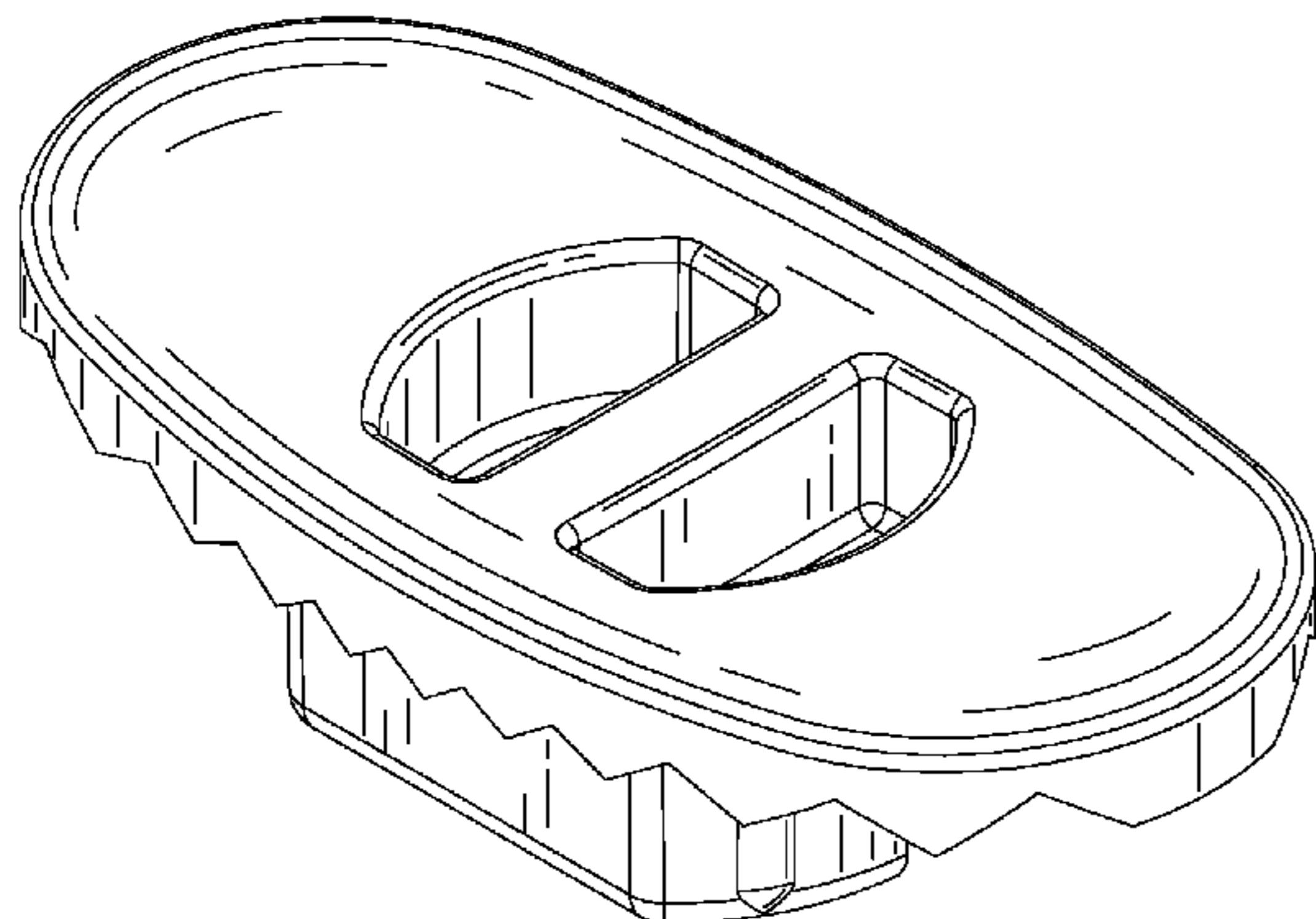
(57) **CLAIM**

The ornamental design for an optic device securing structure, as shown and described.

**DESCRIPTION**

FIG. 1 is a top perspective view of an optic device securing structure showing my new design; FIG. 2 is a bottom perspective view thereof; FIG. 3 is a top view thereof; FIG. 4 is a bottom view thereof; FIG. 5 is a first side view thereof; FIG. 6 is a second side view thereof; FIG. 7 is a front view thereof; and, FIG. 8 is a rear view thereof.

**1 Claim, 3 Drawing Sheets**



# US D666,231 S

Page 2

---

## U.S. PATENT DOCUMENTS

6,163,926 A 12/2000 Watanabe  
D443,811 S \* 6/2001 Tisbo ..... D8/356  
6,400,516 B1 \* 6/2002 Spinali ..... 359/819  
6,467,902 B2 10/2002 Wang-Lee  
6,641,466 B2 11/2003 Wallendorf et al.  
6,645,058 B2 \* 11/2003 Puzio et al. .... 451/365  
6,742,891 B2 6/2004 Chen  
7,066,797 B2 \* 6/2006 Volken et al. .... 451/390

D524,911 S \* 7/2006 Thompson et al. .... D23/233  
7,147,550 B2 \* 12/2006 Chen ..... 451/520  
7,500,908 B2 \* 3/2009 Achy et al. .... 451/390

## OTHER PUBLICATIONS

U.S. Appl. No. 13/421,208 entitled "Securing Structure for Optic Device"; filed with the United States Patent and Trademark Office on Mar. 15, 2012.

\* cited by examiner

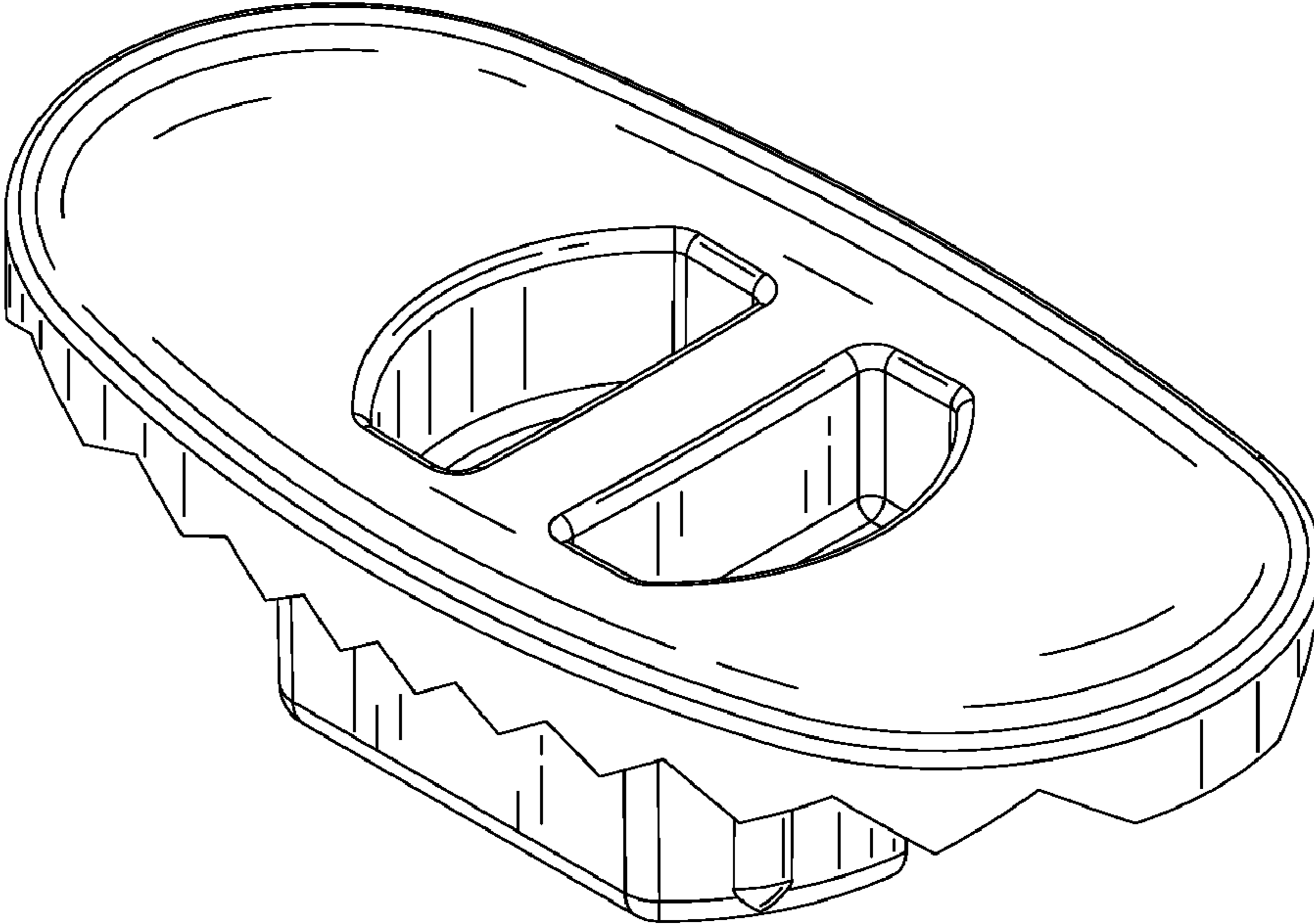


FIG. 1

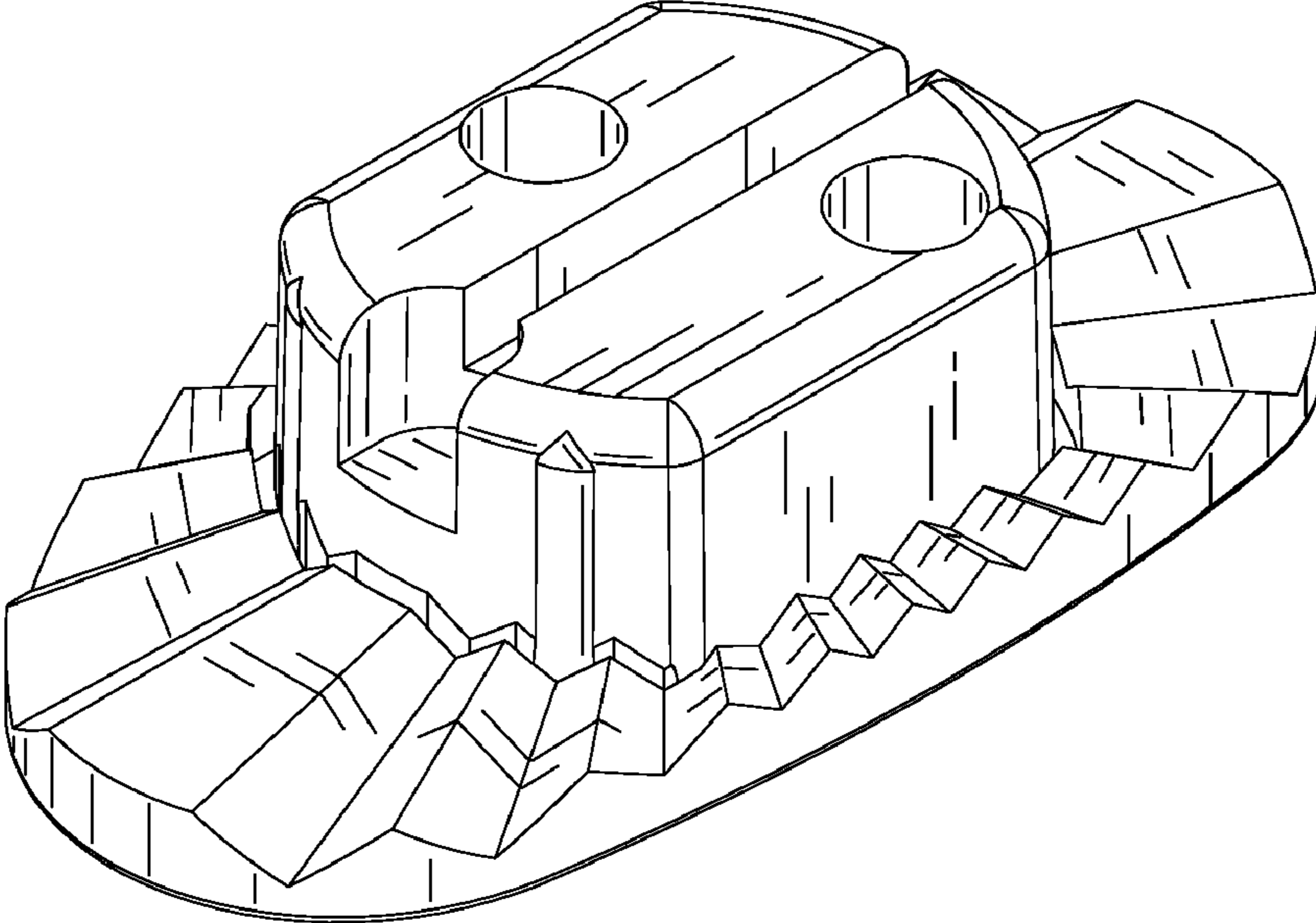


FIG. 2

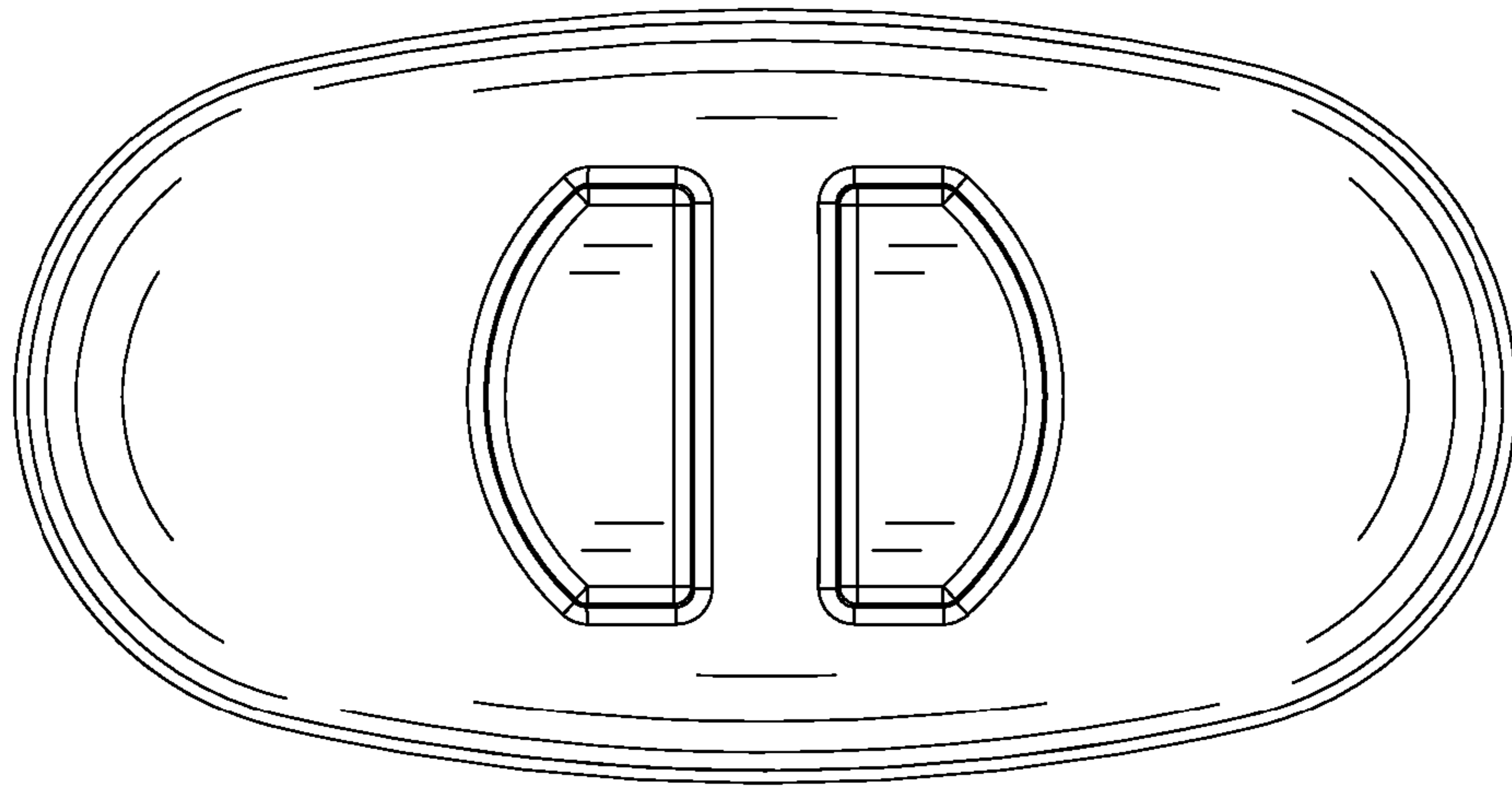


FIG. 3

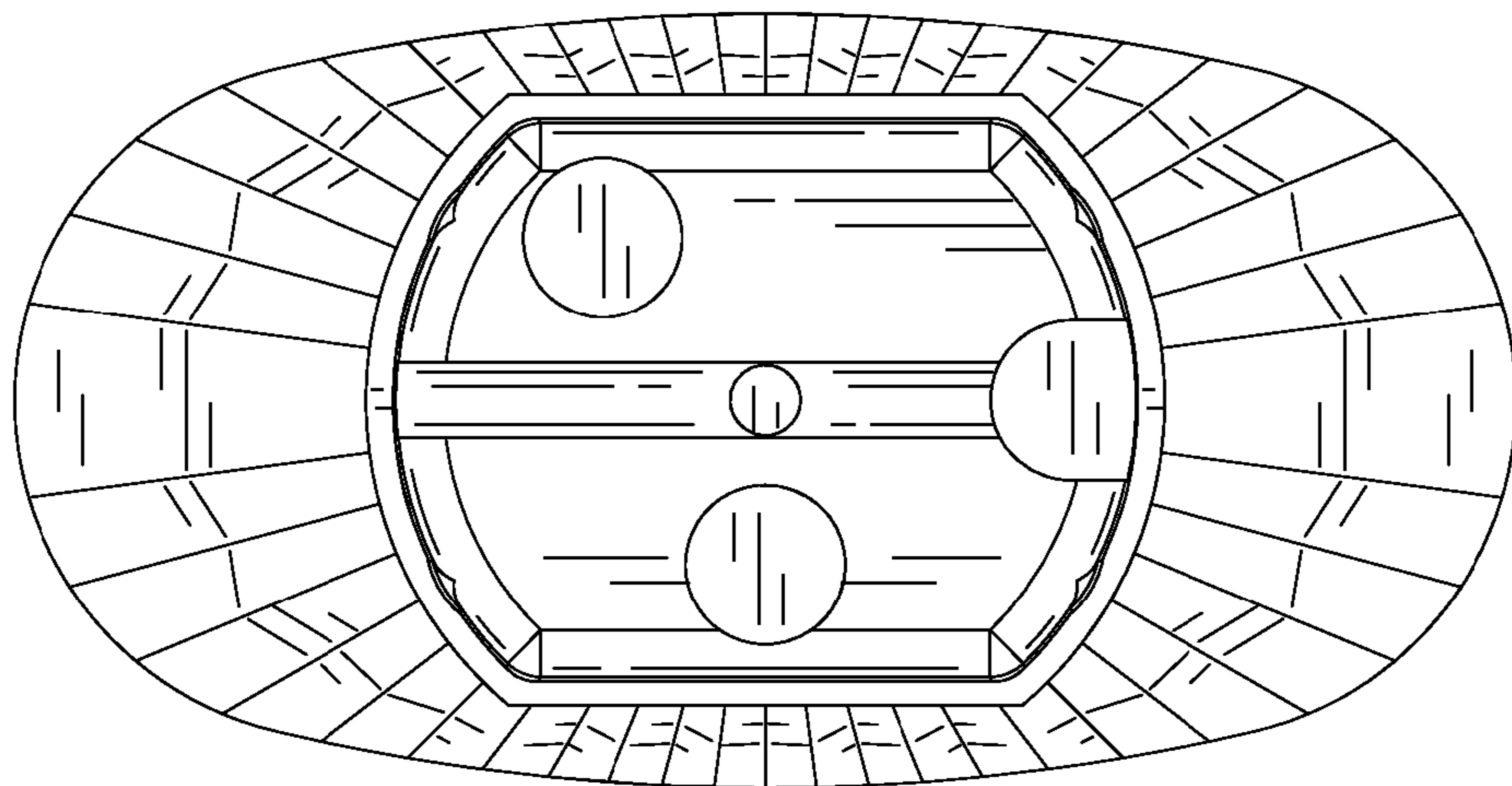


FIG. 4

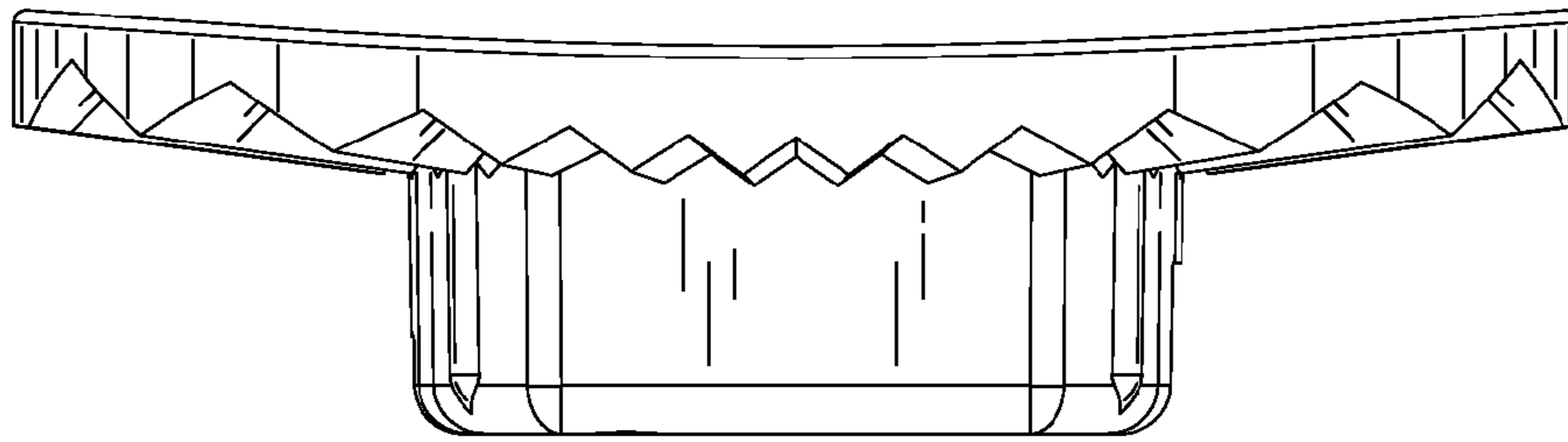


FIG. 5

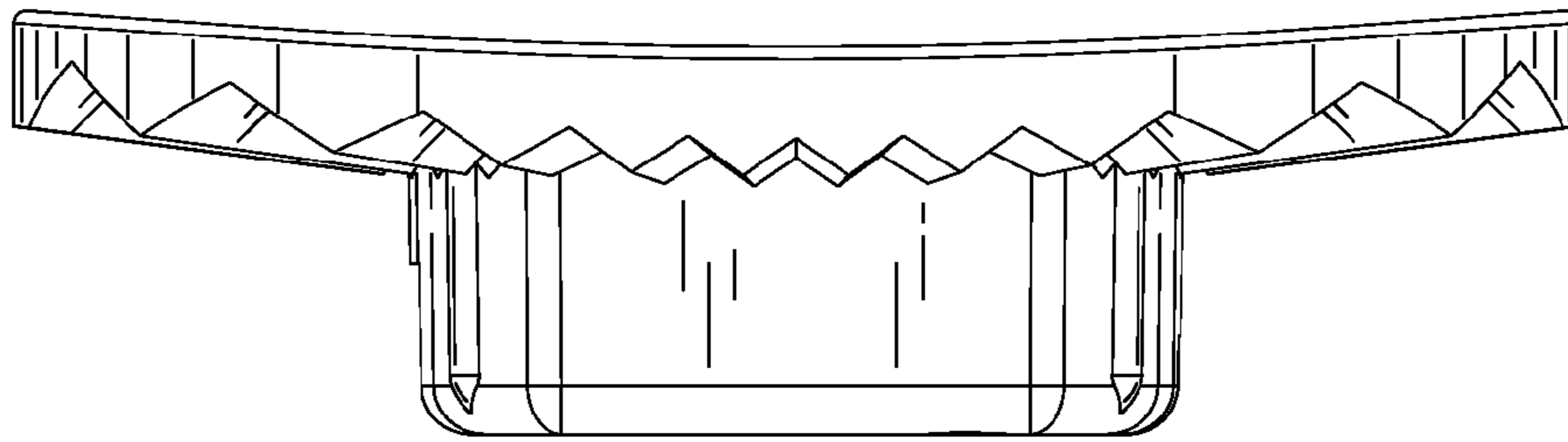


FIG. 6

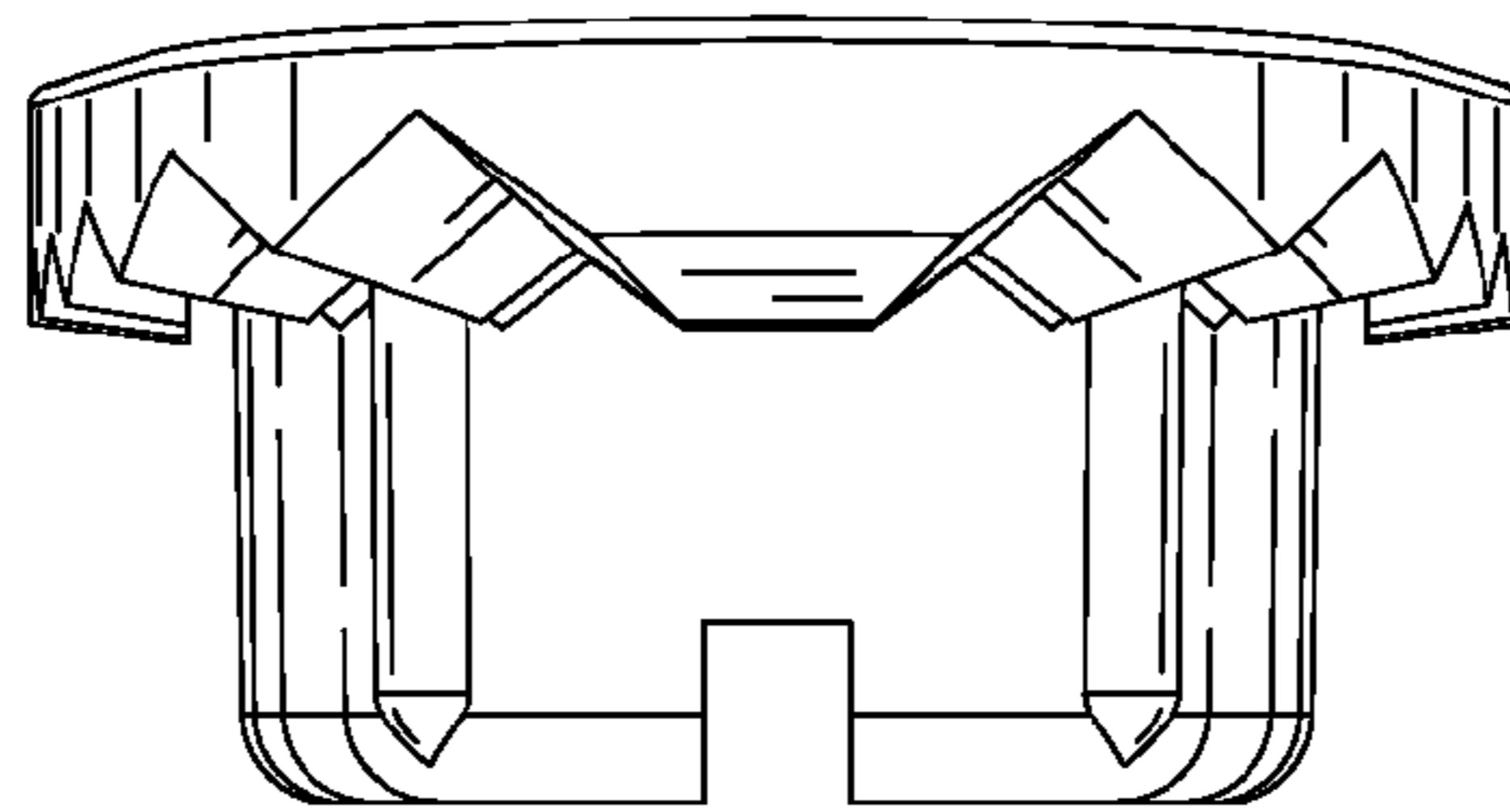


FIG. 7

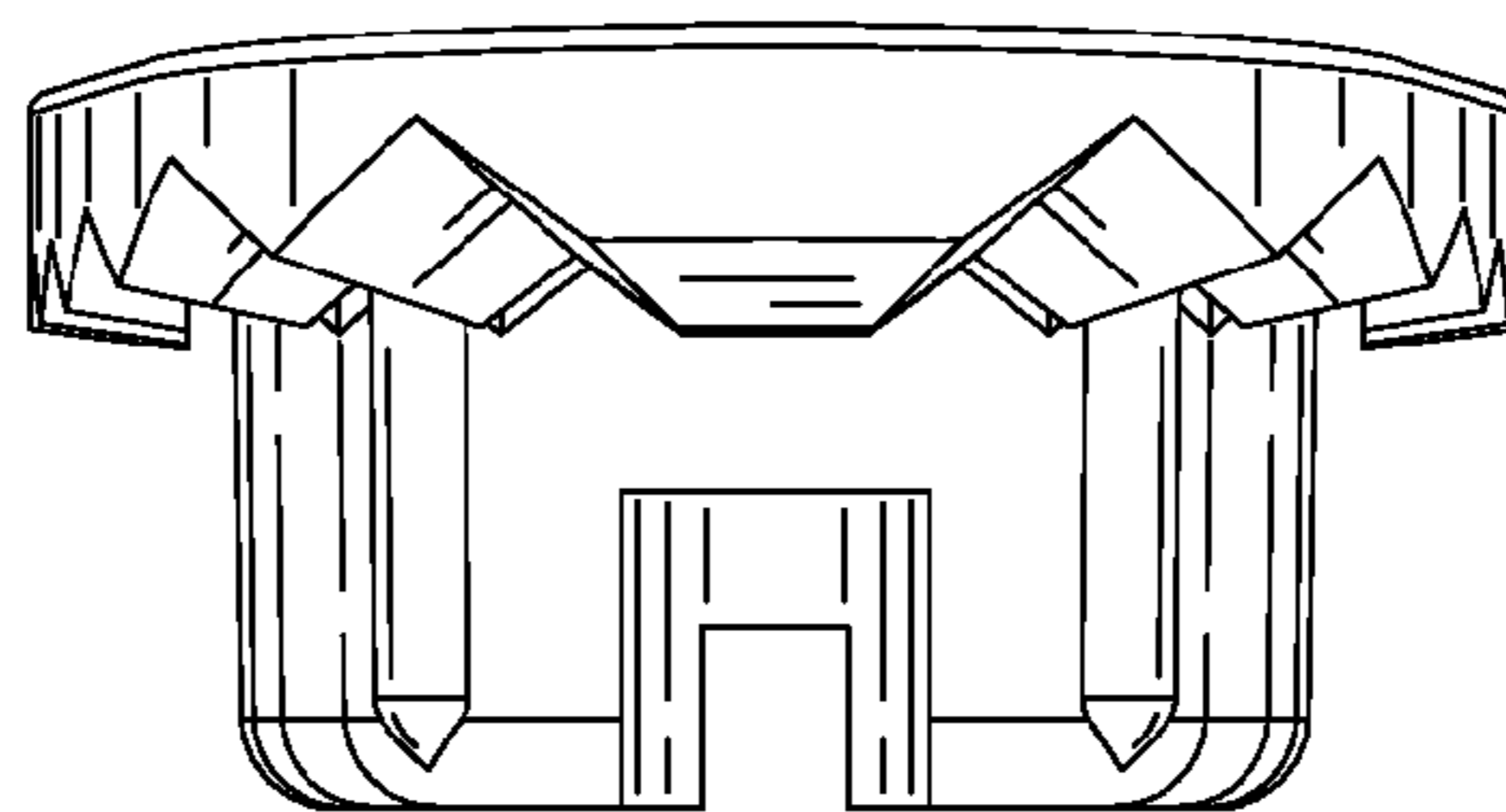


FIG. 8