



US00D666229S

(12) **United States Design Patent**
Schneider

(10) **Patent No.:** **US D666,229 S**
(45) **Date of Patent:** **** Aug. 28, 2012**

- (54) **OPTIC DEVICE SECURING STRUCTURE**
 - (75) Inventor: **Steven M. Schneider**, Germantown, WI (US)
 - (73) Assignee: **Satisloh North America, Inc.**, Germantown, WI (US)
 - (**) Term: **14 Years**
 - (21) Appl. No.: **29/387,635**
 - (22) Filed: **Mar. 16, 2011**
 - (51) **LOC (9) Cl.** **16-06**
 - (52) **U.S. Cl.** **D16/130; D16/136**
 - (58) **Field of Classification Search** D16/130, D16/136, 330, 334, 335, 336; D8/356, 349, D8/352, 382, 386, 323, 327, 399; 451/285, 451/255; 359/611; 351/120, 121, 119, 140, 351/141; 16/228
- See application file for complete search history.

(56) **References Cited**

U.S. PATENT DOCUMENTS

1,184,496	A	5/1916	Stenvall	
2,225,193	A *	12/1940	Benner et al.	451/542
2,573,668	A	10/1951	Long et al.	
2,853,925	A *	9/1958	Lee	359/827
2,861,402	A	11/1958	Okenfuss	
2,953,970	A *	9/1960	Maynard	359/611
3,118,198	A	1/1964	Prunier	
3,383,808	A	5/1968	Deshayes et al.	
3,996,701	A *	12/1976	Ramirez et al.	451/390
4,066,330	A *	1/1978	Jones	359/503
4,089,102	A *	5/1978	Soper et al.	29/527.5
D263,679	S *	4/1982	Frieberg	D8/399
4,358,913	A *	11/1982	Sorrells	451/390
D271,209	S *	11/1983	Feinbloom	D16/237
D272,745	S *	2/1984	Feinbloom et al.	D16/130
4,733,945	A	3/1988	Bacich	
4,844,606	A *	7/1989	Smith	351/153
4,867,563	A *	9/1989	Wurm et al.	356/328
4,915,663	A *	4/1990	Magers	446/219
4,951,349	A *	8/1990	Dietrich et al.	16/228
5,011,274	A *	4/1991	Wagner	351/121
5,069,586	A *	12/1991	Casey	411/339
5,177,907	A *	1/1993	Rothe et al.	451/390

D334,880	S *	4/1993	Davey	D8/352
5,249,082	A	9/1993	Newman	
5,455,711	A *	10/1995	Palmer	359/353
5,466,106	A	11/1995	Bone et al.	
5,496,209	A *	3/1996	Gaebe	451/548
5,565,937	A *	10/1996	Lee	351/120
5,619,770	A	4/1997	Bell	
5,627,610	A *	5/1997	Marui et al.	351/141
5,638,147	A *	6/1997	Wang-Lee	351/120
5,649,856	A	7/1997	Cook	
5,669,807	A	9/1997	Moreau et al.	
5,748,281	A *	5/1998	Simioni et al.	351/121
5,760,867	A *	6/1998	Pernicka et al.	351/120
5,916,017	A	6/1999	Sedlock	
6,074,290	A *	6/2000	Ko et al.	451/390

(Continued)

OTHER PUBLICATIONS

U.S. Appl. No. 61/453,513 entitled "Securing Structure for Optic Device"; filed with the United States Patent and Trademark Office on Mar. 16, 2011.

(Continued)

Primary Examiner — Paula Greene

(74) *Attorney, Agent, or Firm* — Whyte Hirschboeck Dudek S.C.

(57) **CLAIM**

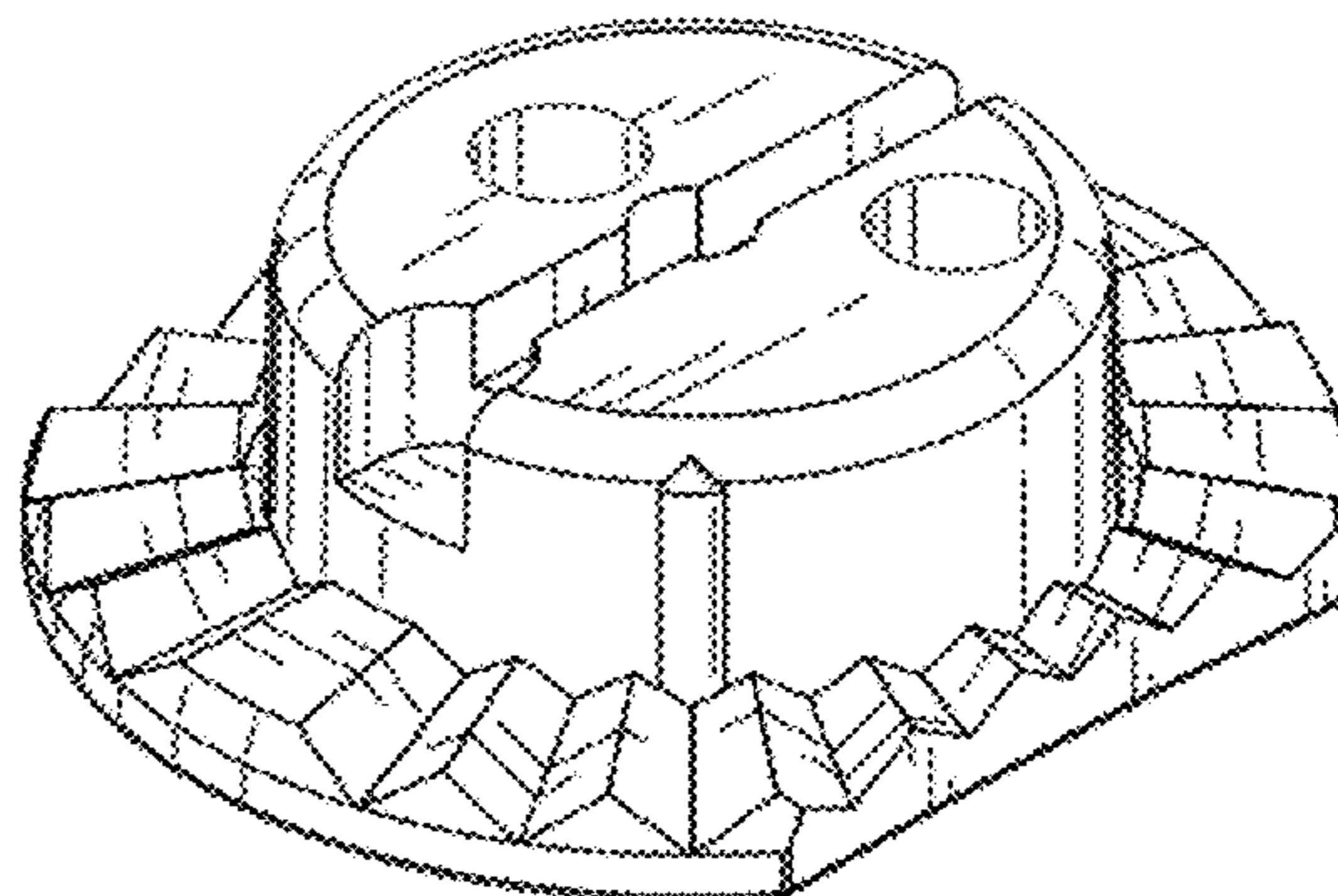
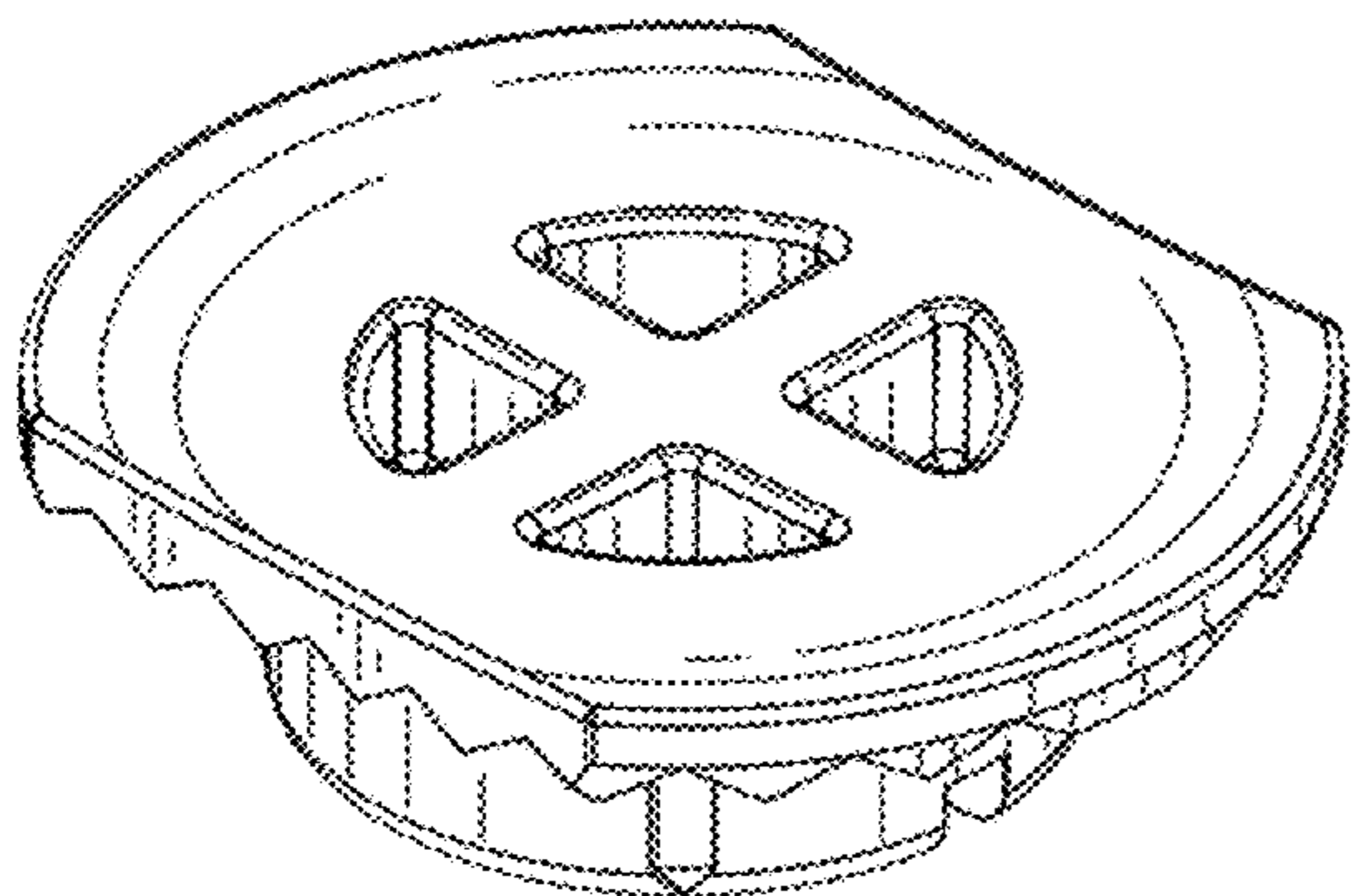
The ornamental design for an optic device securing structure, as shown and described.

DESCRIPTION

FIG. 1 is a top perspective view of an optic device securing structure showing my new design;
 FIG. 2 is a bottom perspective view thereof;
 FIG. 3 is a top view thereof;
 FIG. 4 is a bottom view thereof;
 FIG. 5 is a first side view thereof;
 FIG. 6 is a second side view thereof;
 FIG. 7 is a front view thereof; and,
 FIG. 8 is a rear view thereof.

The broken lines shown in FIGS. 1-8 form no part of the claimed design.

1 Claim, 3 Drawing Sheets



US D666,229 S

Page 2

U.S. PATENT DOCUMENTS

6,163,926 A * 12/2000 Watanabe 16/228
D443,811 S * 6/2001 Tisbo D8/356
6,400,516 B1 6/2002 Spinali
6,467,902 B2 * 10/2002 Wang-Lee 351/120
6,641,466 B2 11/2003 Wallendorf et al.
6,645,058 B2 11/2003 Puzio et al.
6,742,891 B2 * 6/2004 Chen 351/140
7,066,797 B2 6/2006 Volken et al.

D524,911 S * 7/2006 Thompson et al. D23/233
7,147,550 B2 12/2006 Chen
7,500,908 B2 3/2009 Achy et al.

OTHER PUBLICATIONS

U.S. Appl. No. 13/421,208 entitled "Securing Structure for Optic Device"; filed with the United States Patent and Trademark Office on Mar. 15, 2012.

* cited by examiner

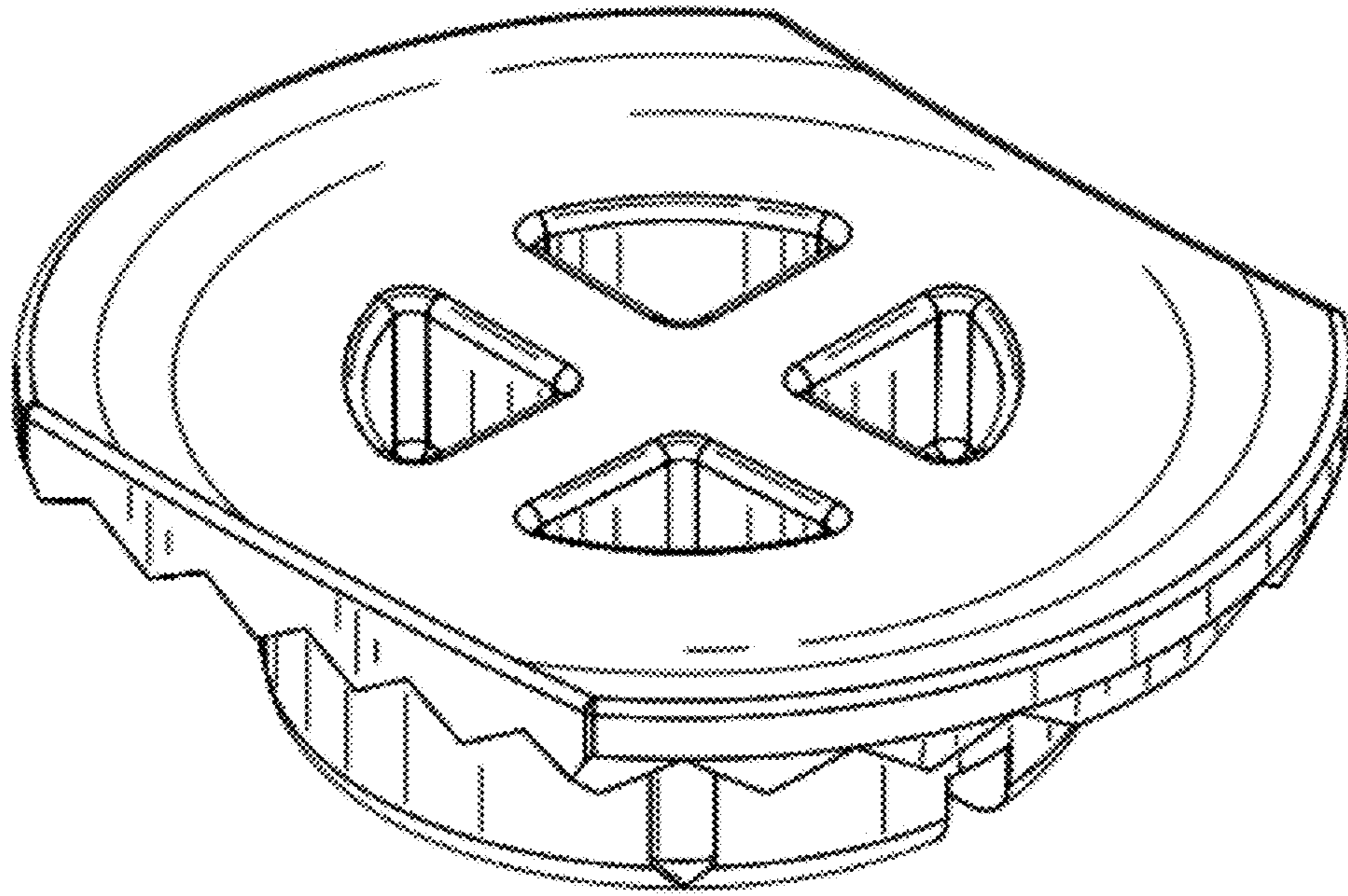


FIG. 1

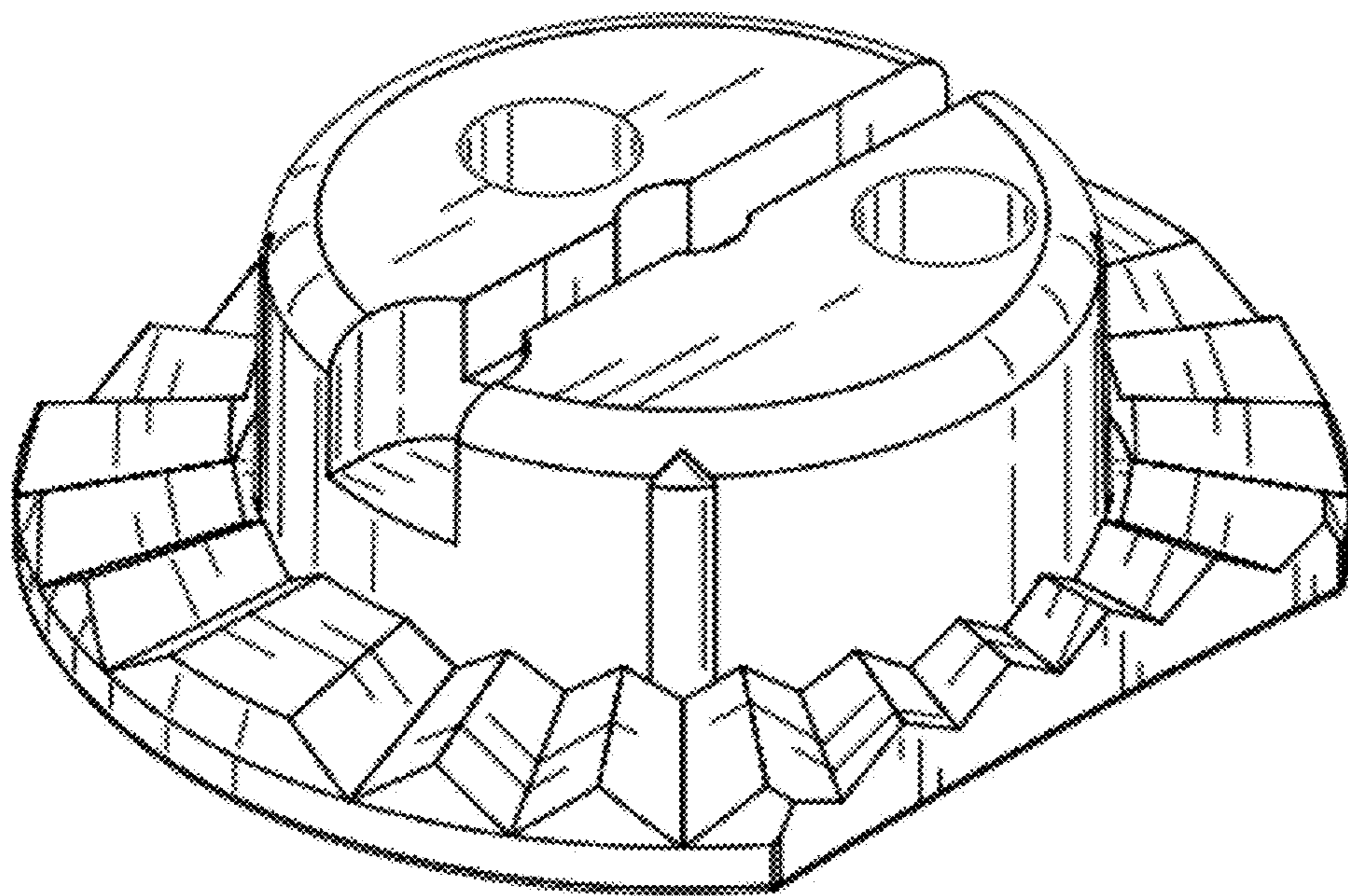


FIG. 2

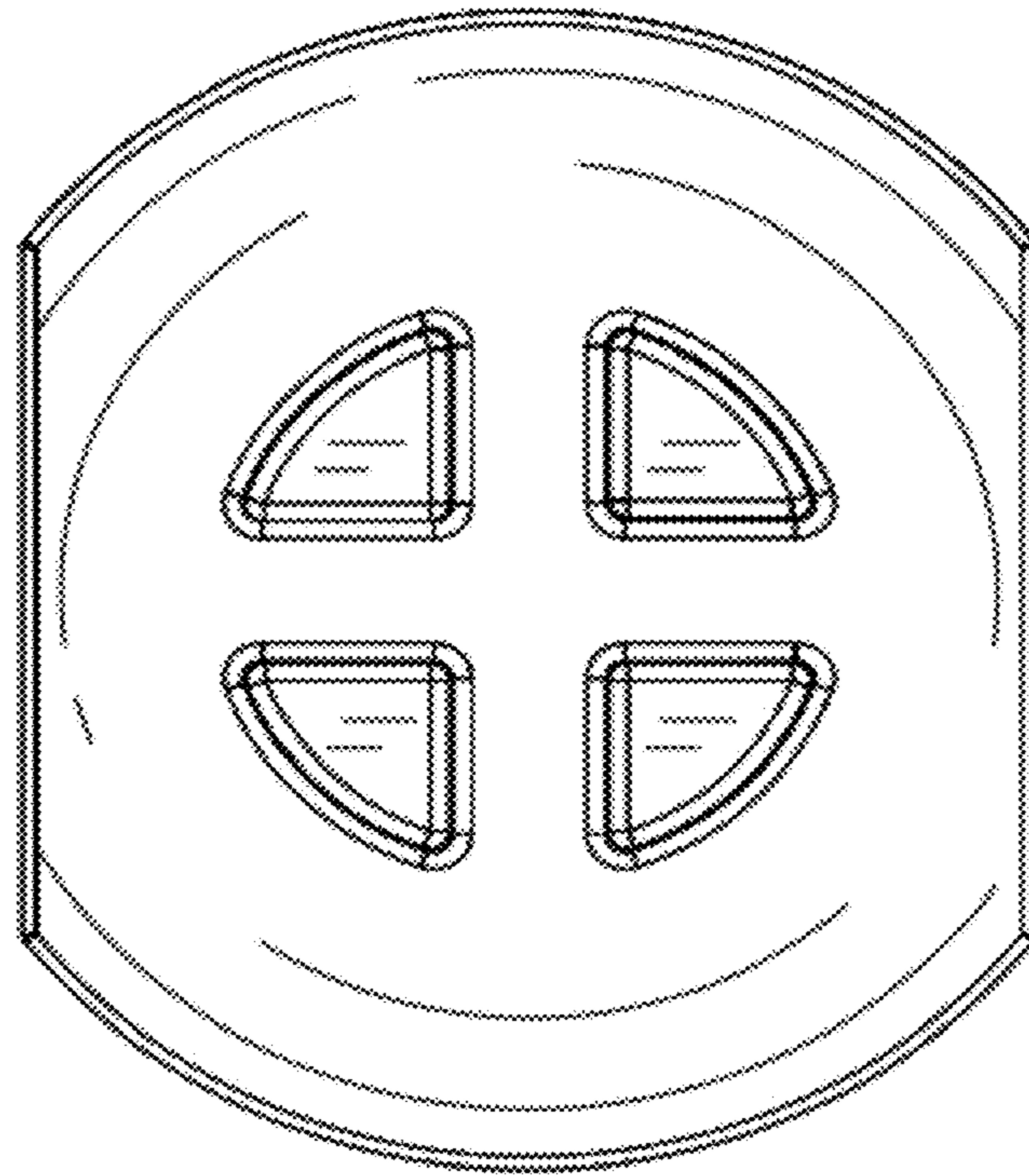


FIG. 3

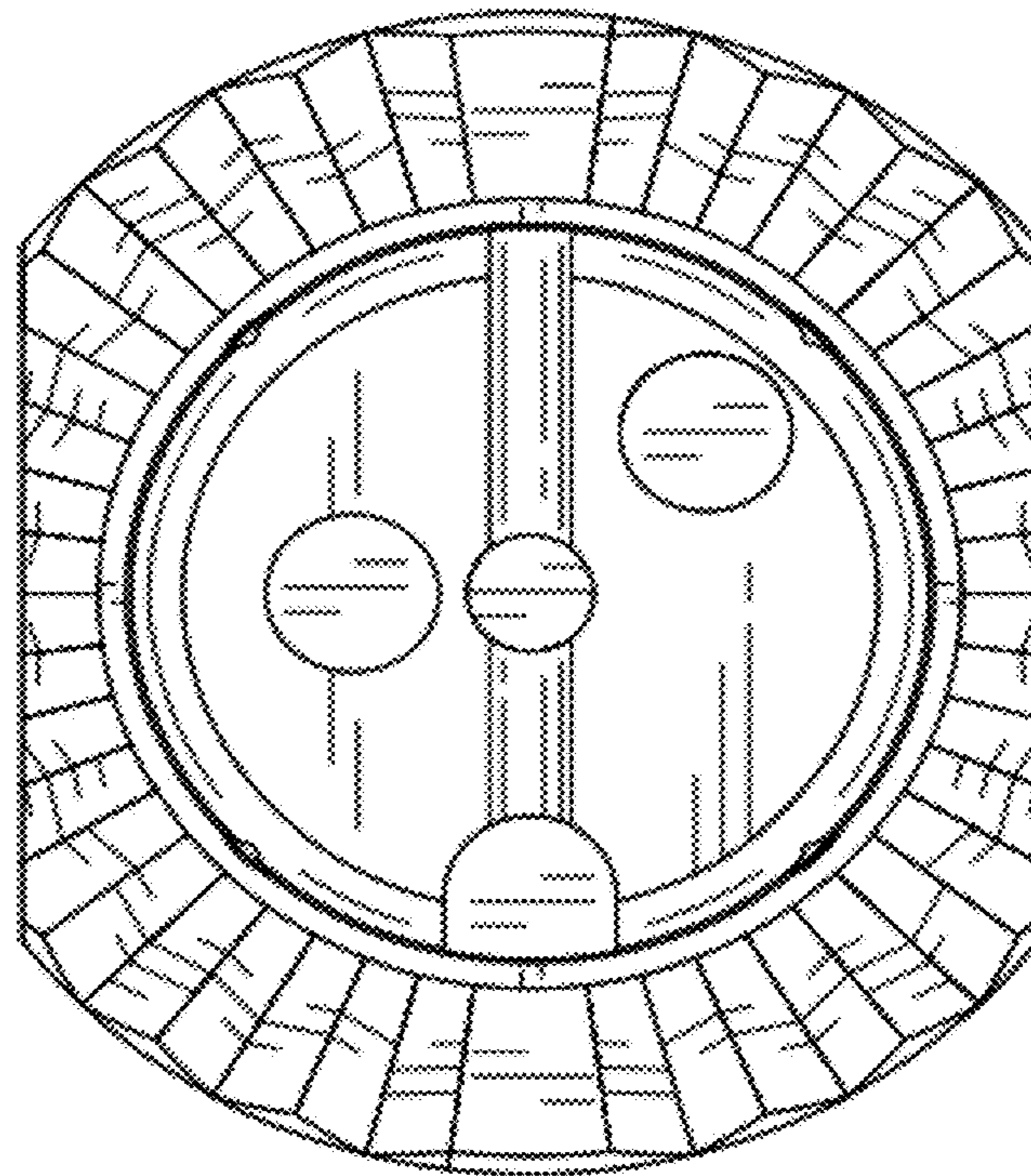


FIG. 4

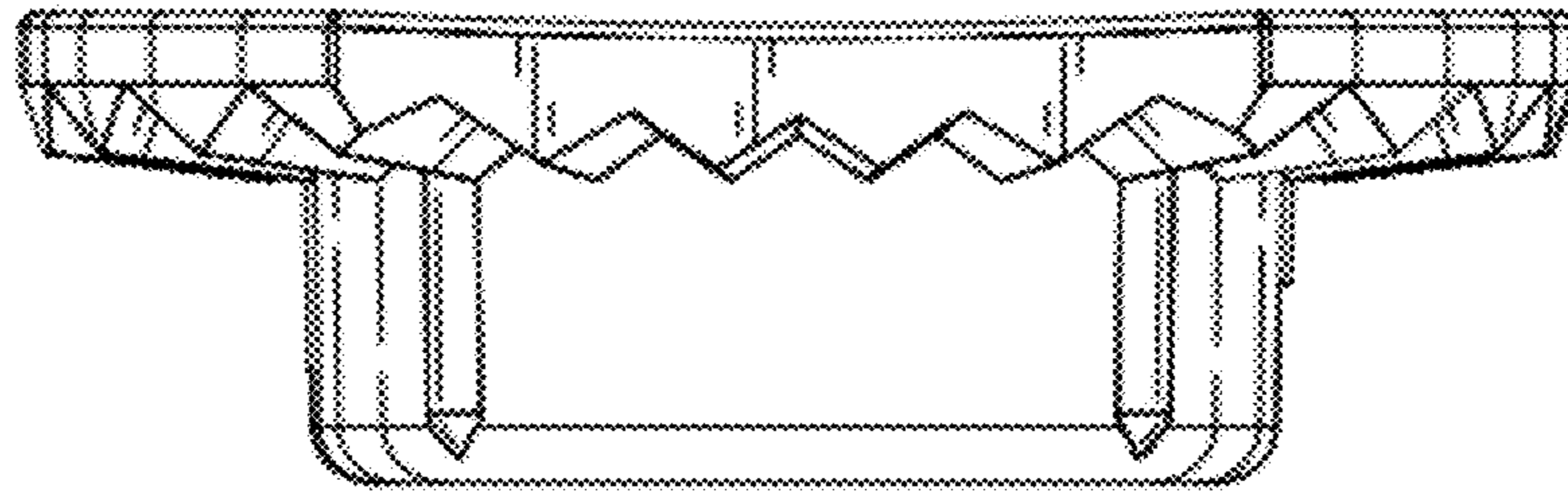


FIG. 5

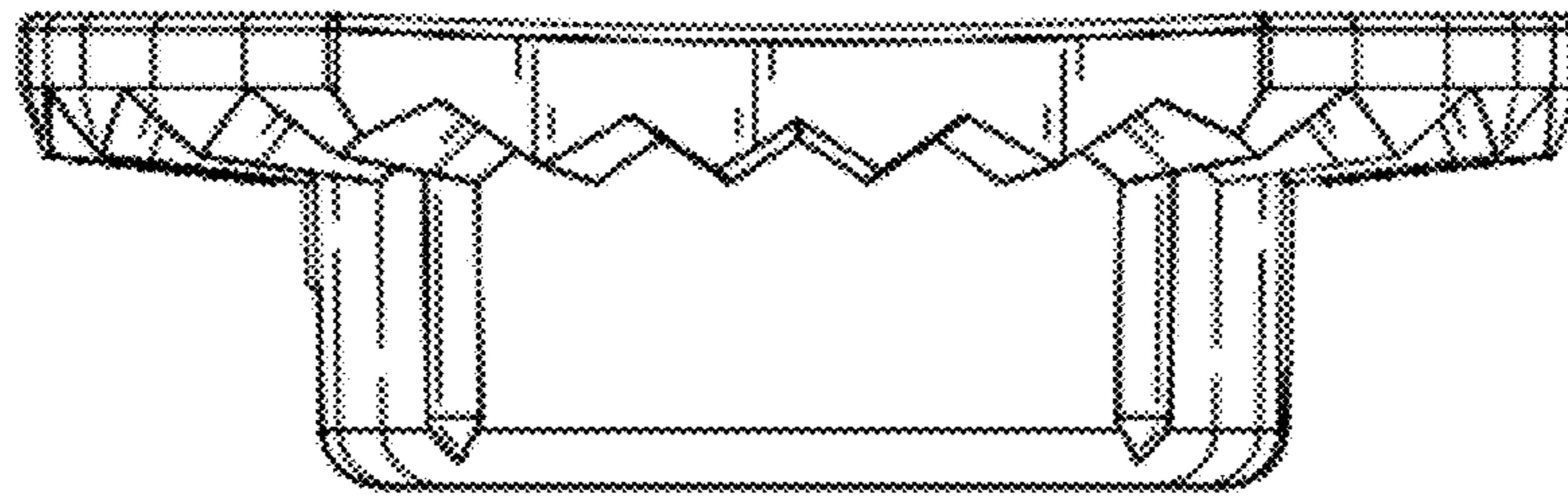


FIG. 6

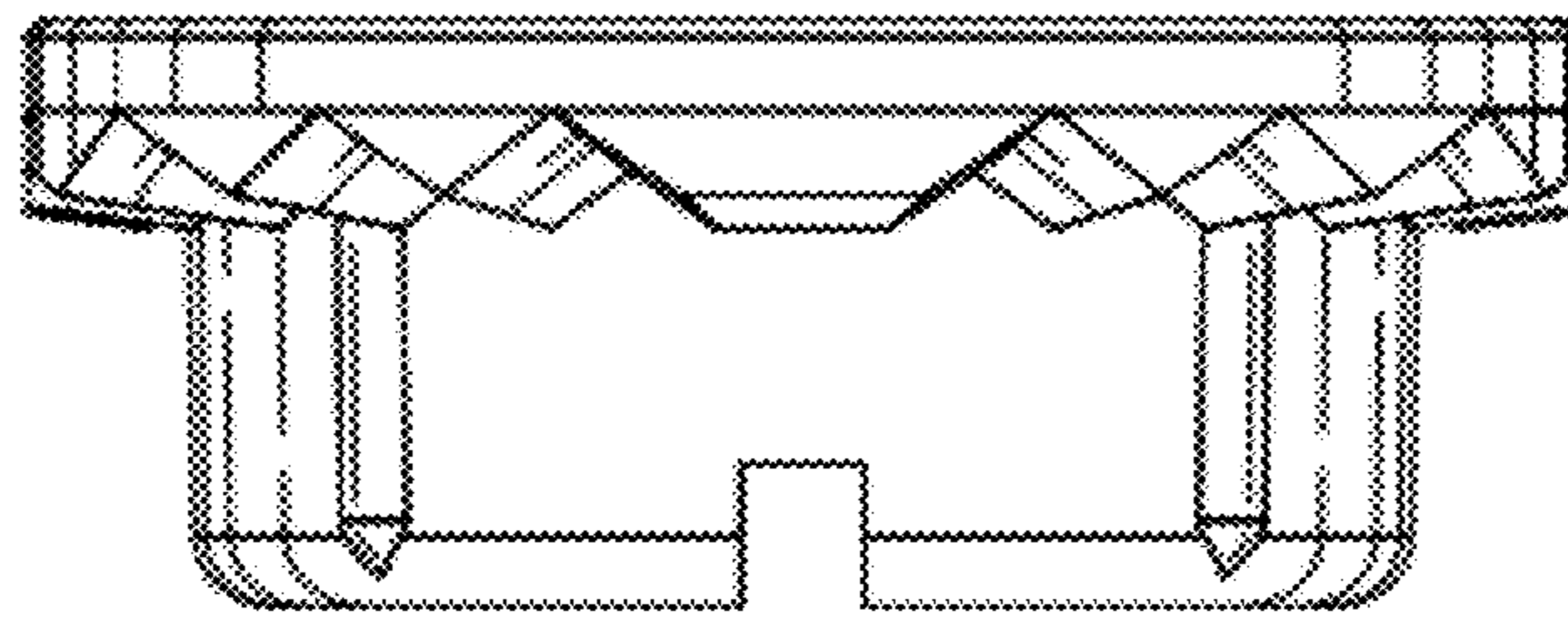


FIG. 7

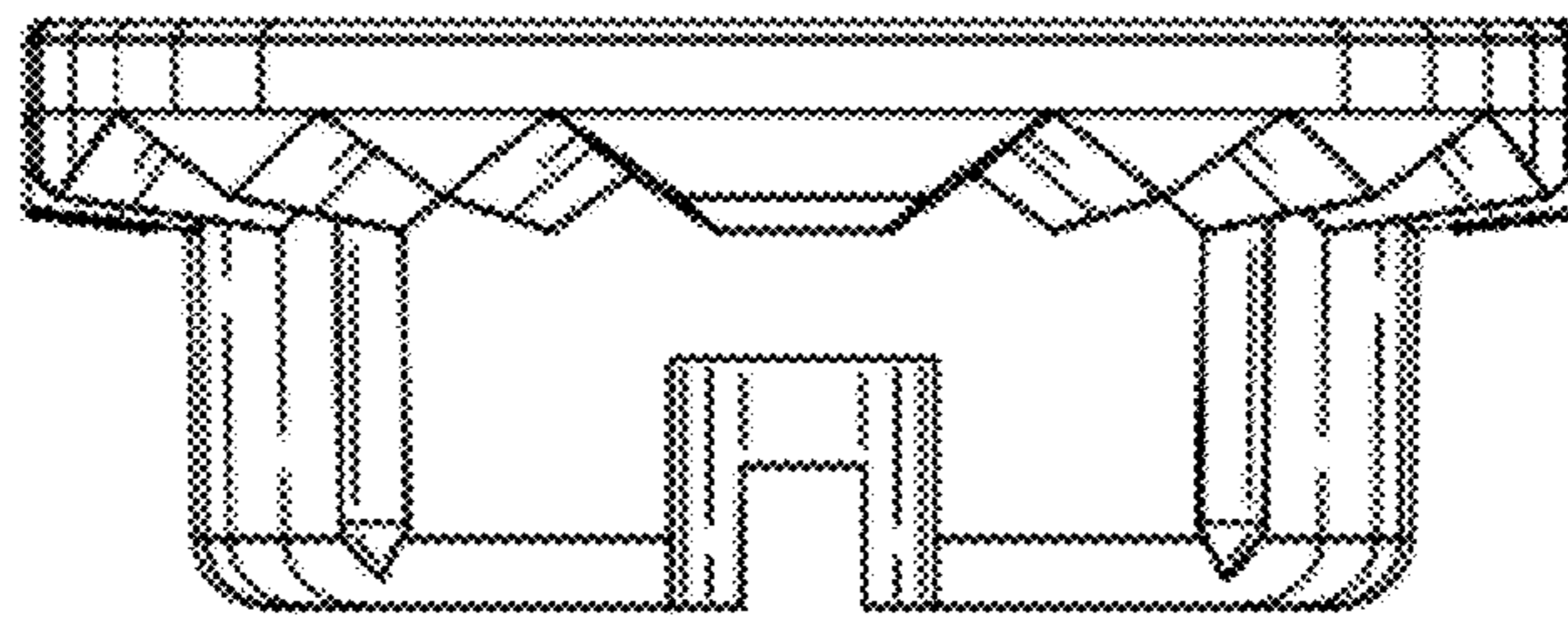


FIG. 8