

US00D666227S

(12) **United States Design Patent**
Kile

(10) **Patent No.:** **US D666,227 S**

(45) **Date of Patent:** **** Aug. 28, 2012**

(54) **TRANSPARENT OIL MONITORING AND MAINTENANCE COVER**

Primary Examiner — Patricia Palasik

(74) *Attorney, Agent, or Firm* — Parsons & Goltry; Michael W. Goltry; Robert A. Parsons

(76) Inventor: **Ronald J. Kile**, Rosalia, WA (US)

(**) Term: **14 Years**

(21) Appl. No.: **29/374,469**

(22) Filed: **Aug. 17, 2011**

(57) **CLAIM**

The ornamental design for a transparent oil monitoring and maintenance cover, as shown and described.

Related U.S. Application Data

(63) Continuation of application No. 29/310,928, filed on Sep. 17, 2008, now abandoned.

(51) **LOC (9) Cl.** **15-99**

(52) **U.S. Cl.** **D15/150**

(58) **Field of Classification Search** D9/454;
D15/150, 151, 152; 137/87; 184/6.23, 6.4,
184/27.3, 6.24, 6.28, 27.1, 31, 55, 58.65,
184/81, 108; 248/129; 280/47.34, 79.2,
280/79.5; 364/140; 418/270

See application file for complete search history.

DESCRIPTION

FIG. 1 is a perspective view of a first preferred embodiment according to the inventions hereof;

FIG. 2 is a top view thereof;

FIG. 3 is a front view thereof;

FIG. 4 is a back view thereof;

FIG. 5 is a left side view thereof; the right side being a mirror image thereof;

FIG. 6 is a perspective view of the apparatus of FIG. 1 engaged with a roller assembly having an interior tubular mount shown in broken lines therefore;

FIG. 7 is a front view thereof;

FIG. 8 is a perspective view of a second preferred embodiment according to the inventions hereof;

FIG. 9 is a top view thereof;

FIG. 10 is a front view thereof;

FIG. 11 is a front view thereof; and,

FIG. 12 is a left side view thereof; the right side being a mirror image thereof.

The broken lines in the drawings depict unclaimed environmental subject matter.

The present design is a transparent oil monitoring and maintenance cover for being retained so as to block fluid passage from an oil reservoir within a tubular mount. While in-place, the invention allows for viewing of the reservoir contents and has an access port for supplying the reservoir with oils there through. The access port may in some preferred embodiments be threaded to receive a threaded plug or otherwise plugged.

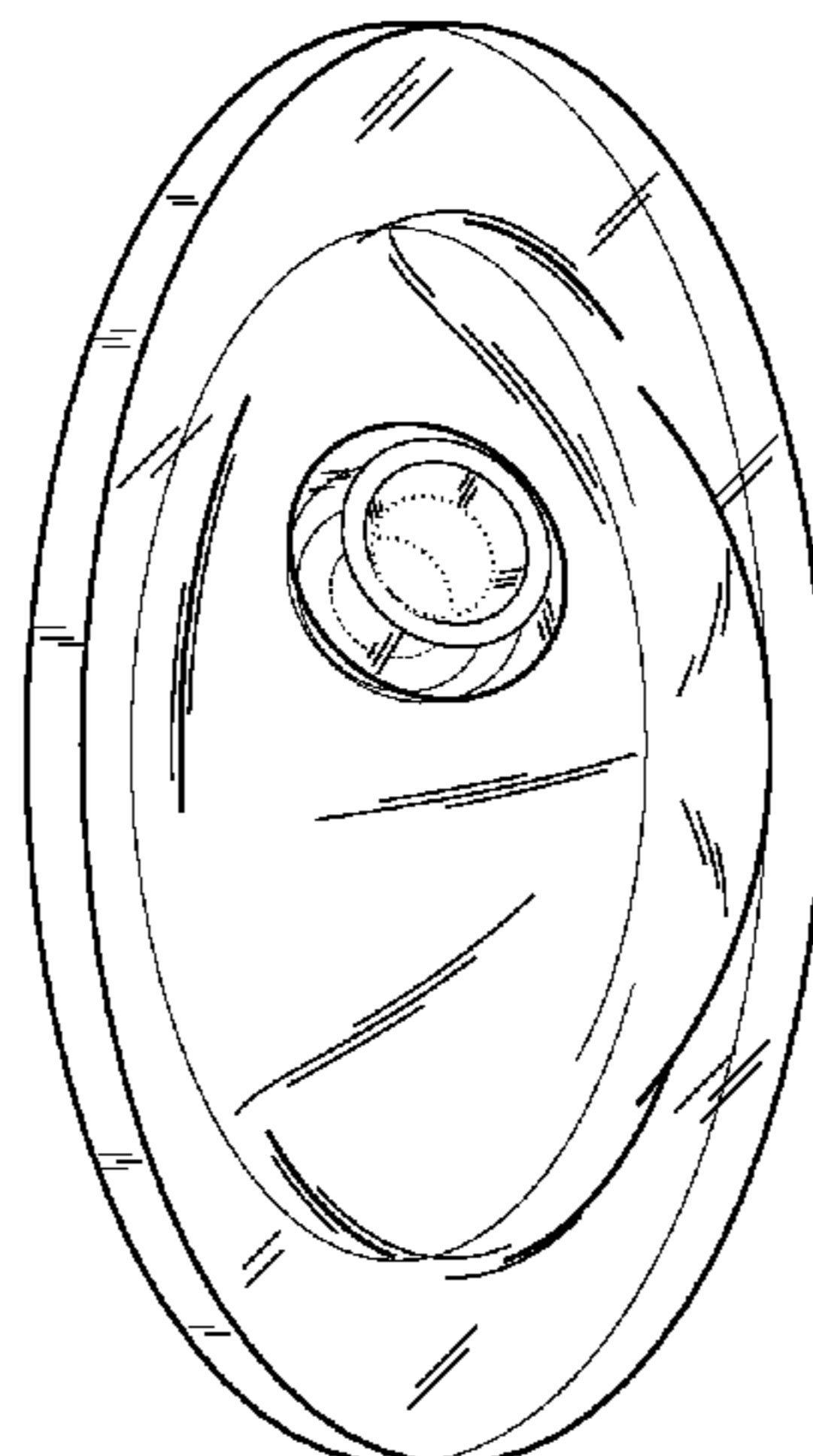
(56) **References Cited**

U.S. PATENT DOCUMENTS

D113,679	S	3/1939	Neely	
4,149,575	A *	4/1979	Fisher	141/98
D332,300	S *	1/1993	Eastom	D23/211.2
D337,594	S *	7/1993	Strauch	D15/152
D342,531	S	12/1993	Commander et al.	
D374,447	S	10/1996	Brewer	
D381,030	S	7/1997	Tepman	
D399,224	S	10/1998	Maynard	
D411,800	S *	7/1999	Kokenge et al.	D9/454
D419,881	S *	2/2000	Kokenge et al.	D9/454
D536,614	S	2/2007	Peterson et al.	
D585,280	S	1/2009	Stuart	
D594,326	S	6/2009	Colacitti	
D597,837	S	8/2009	Stuart	
D639,414	S *	6/2011	Berndt	D23/366
2006/0175326	A1	8/2006	Kirkland et al.	
2007/0014102	A1	1/2007	Drane et al.	
2008/0169293	A1	7/2008	Kurtz et al.	

* cited by examiner

1 Claim, 8 Drawing Sheets



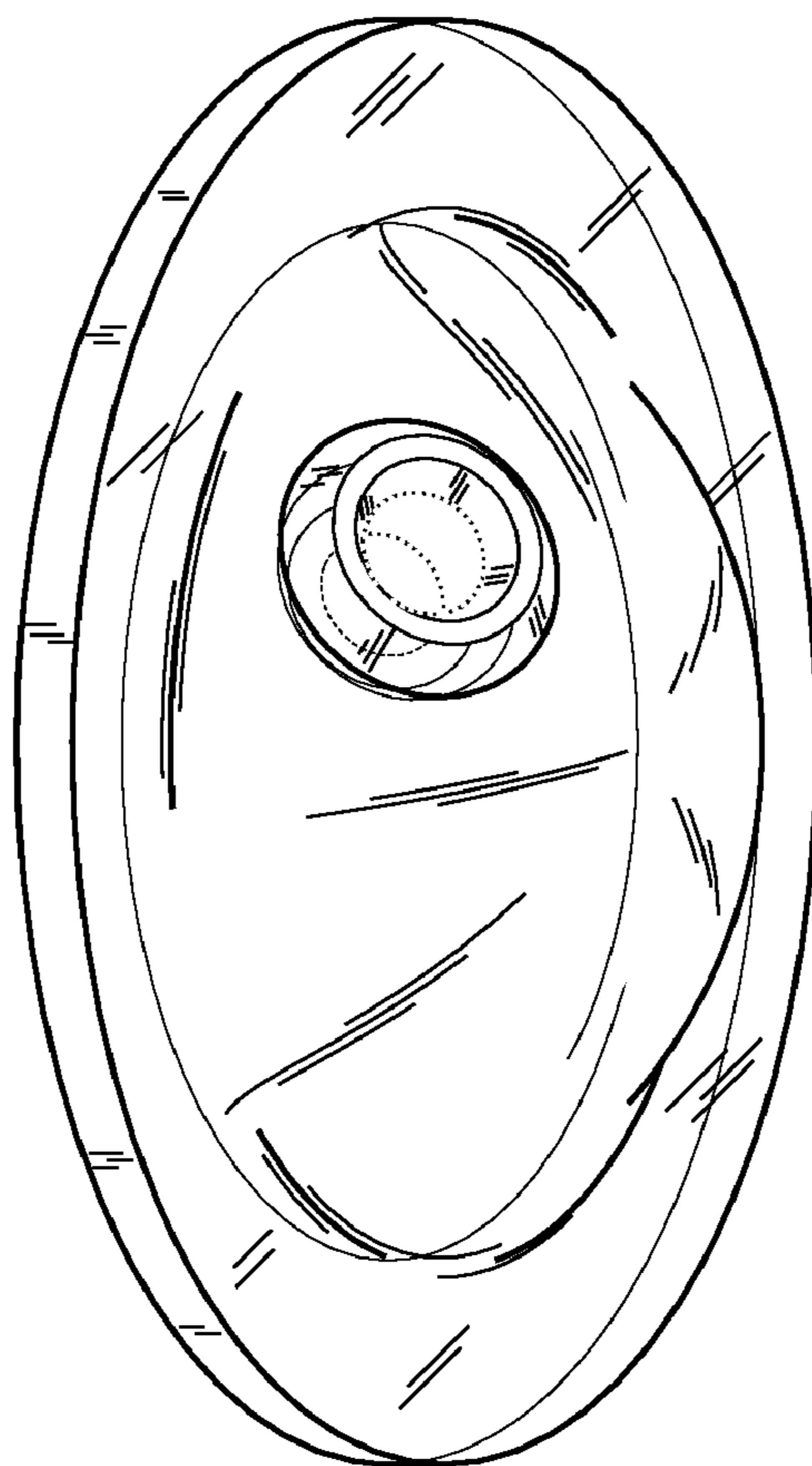


FIG. 1

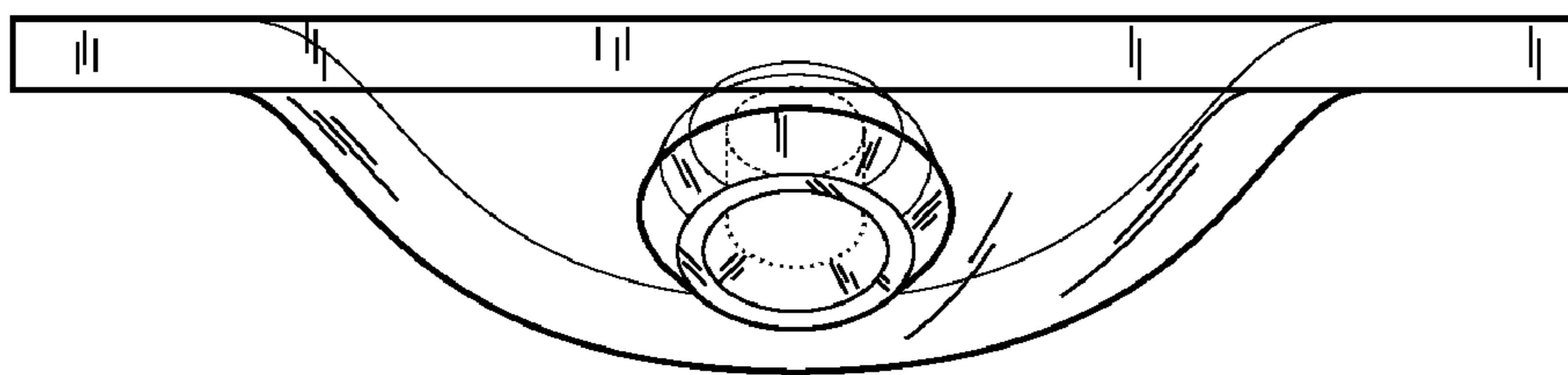


FIG. 2

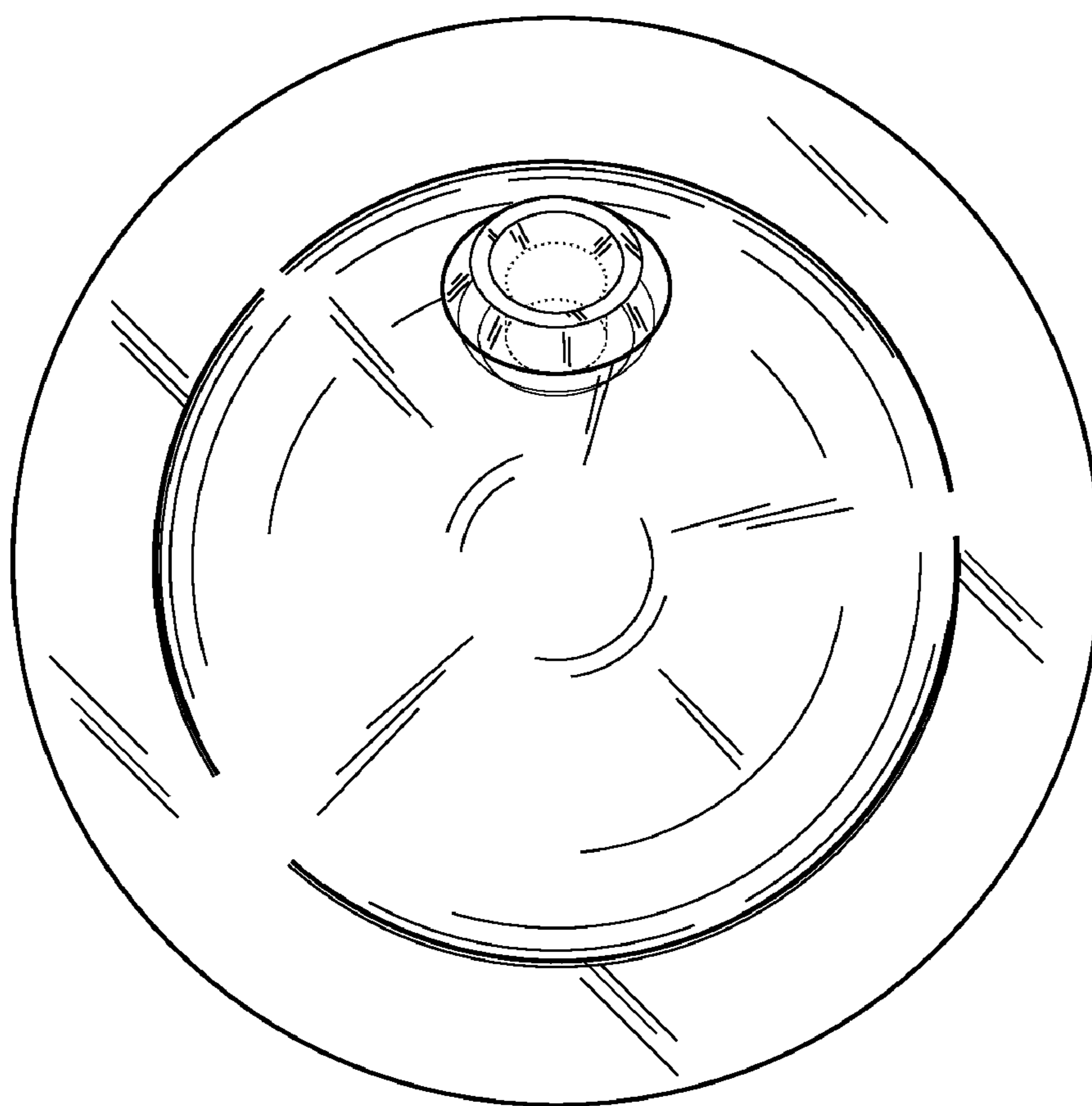


FIG. 3

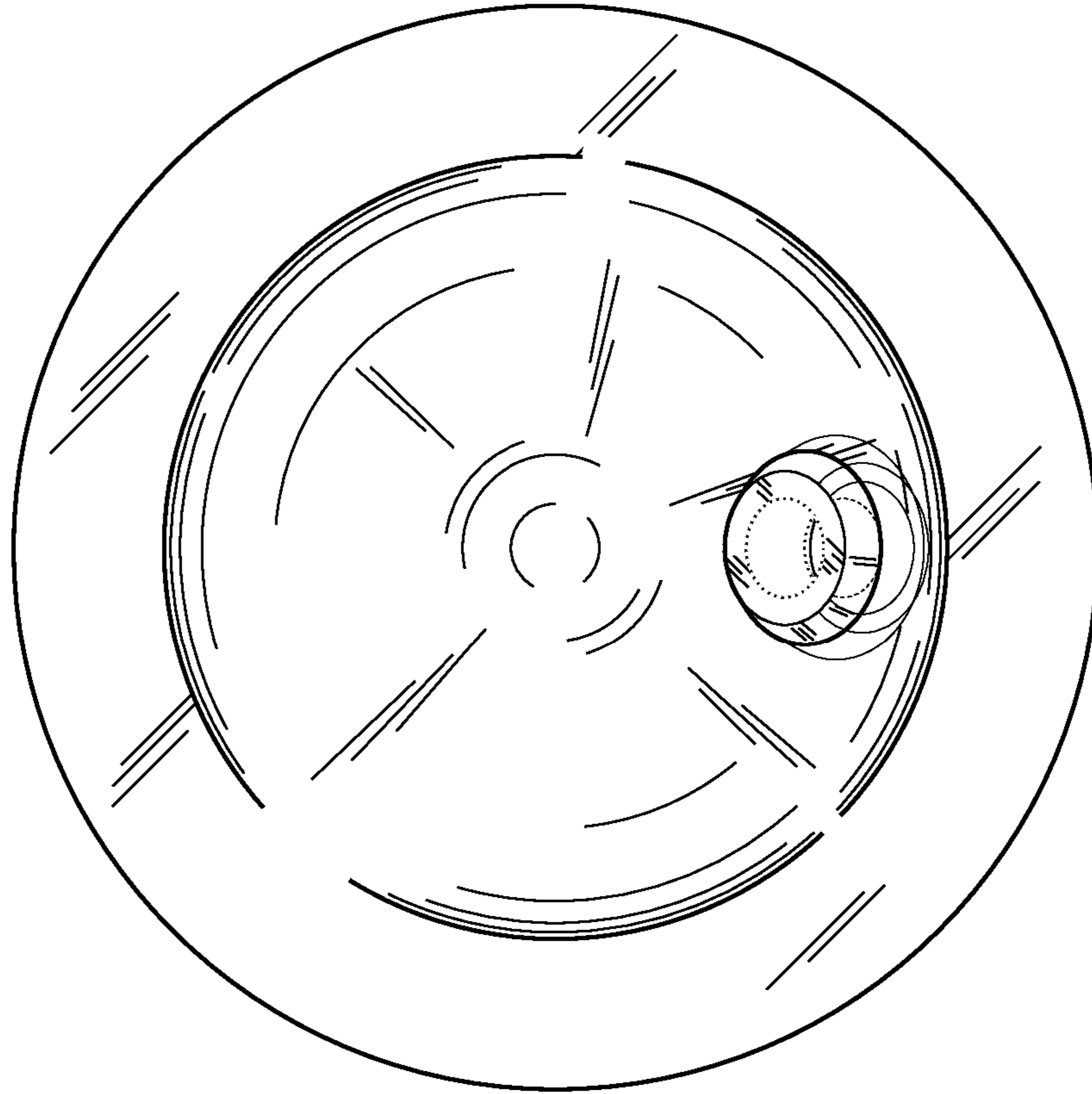


FIG. 4

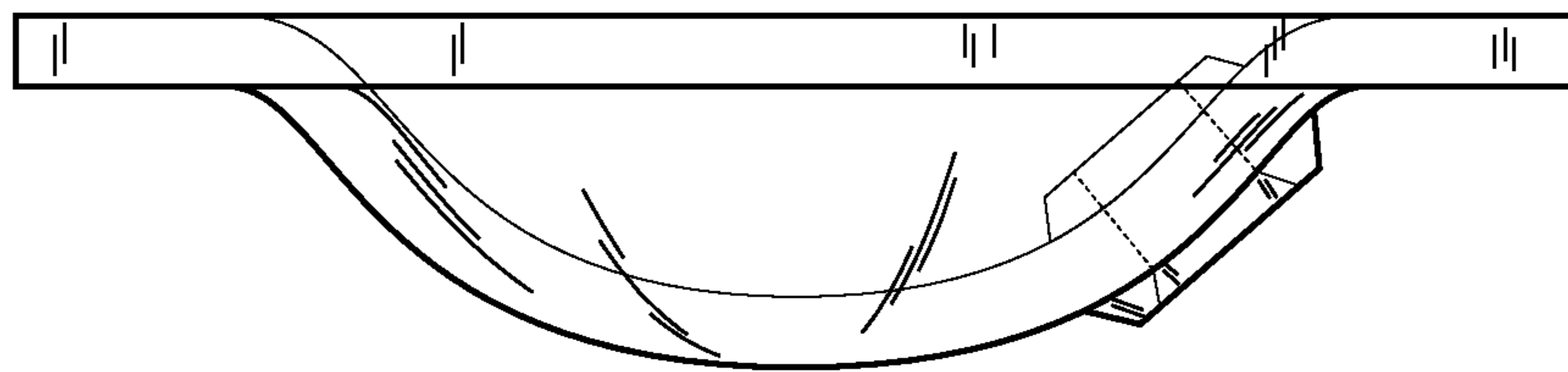


FIG. 5

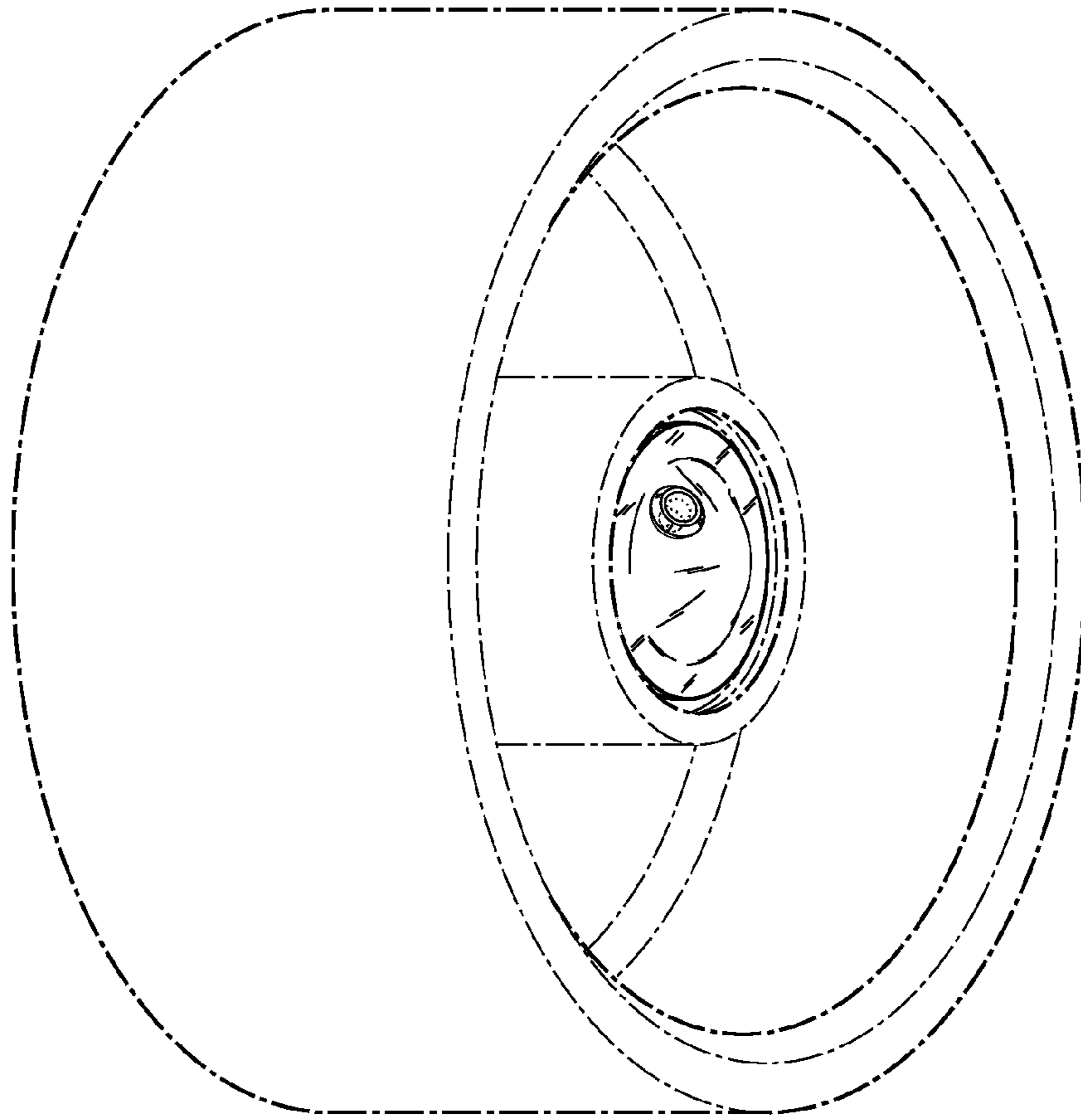


FIG. 6

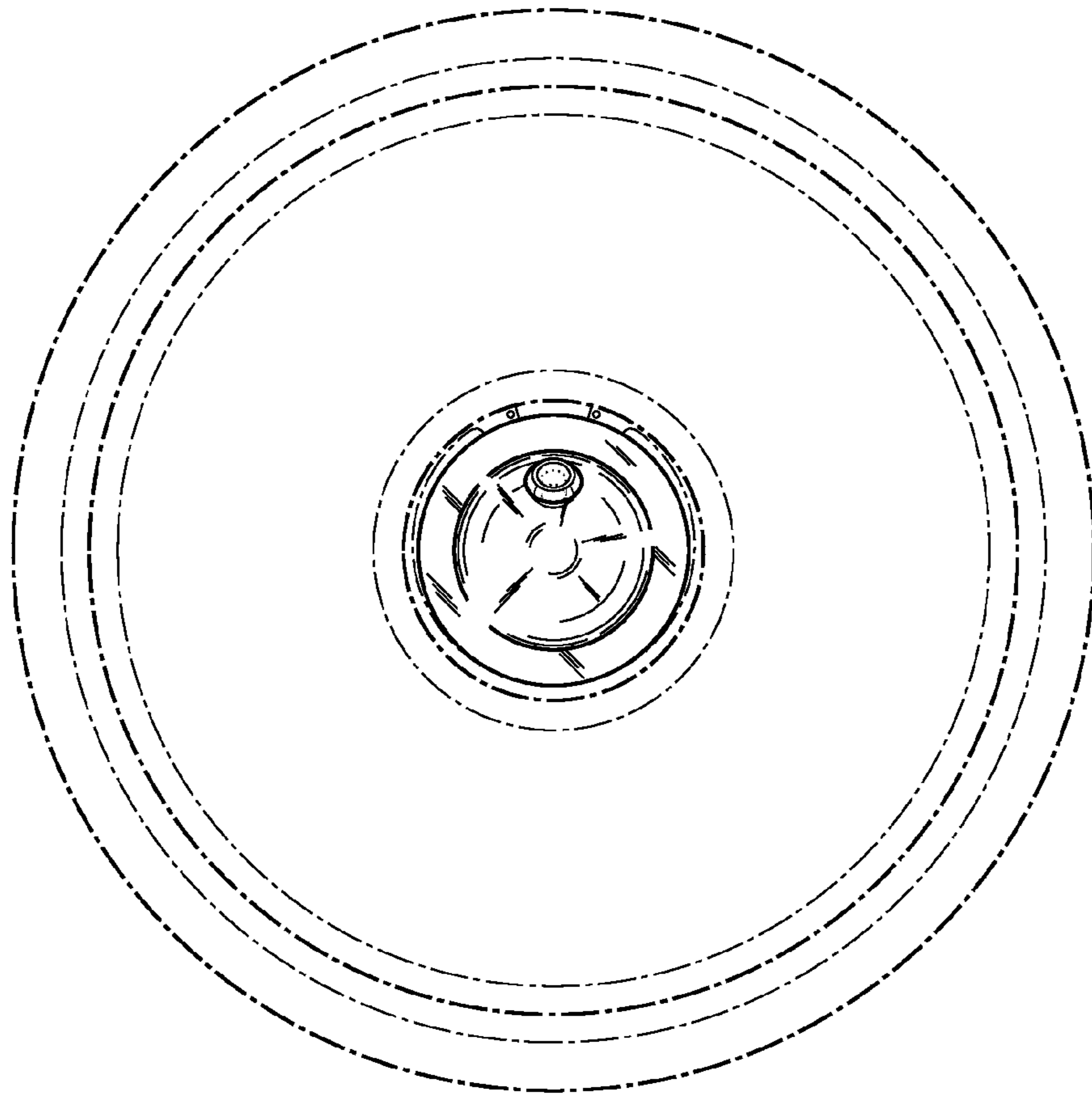


FIG. 7

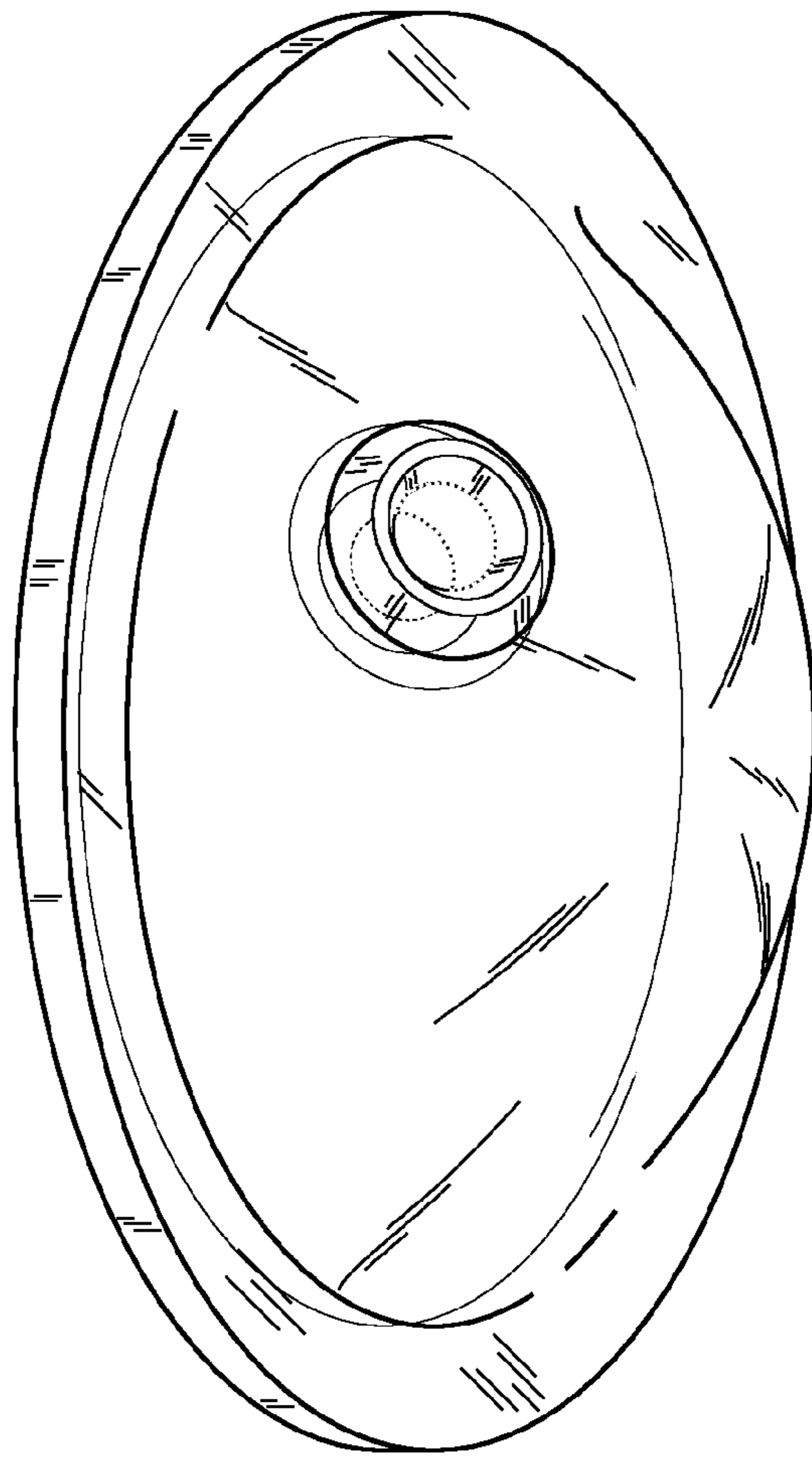


FIG. 8

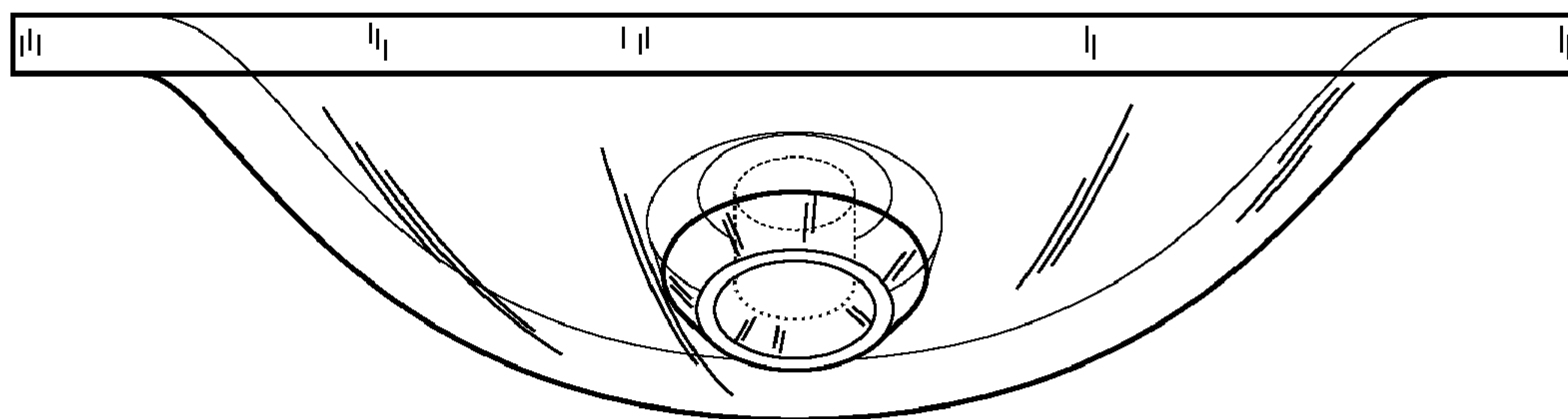


FIG. 9

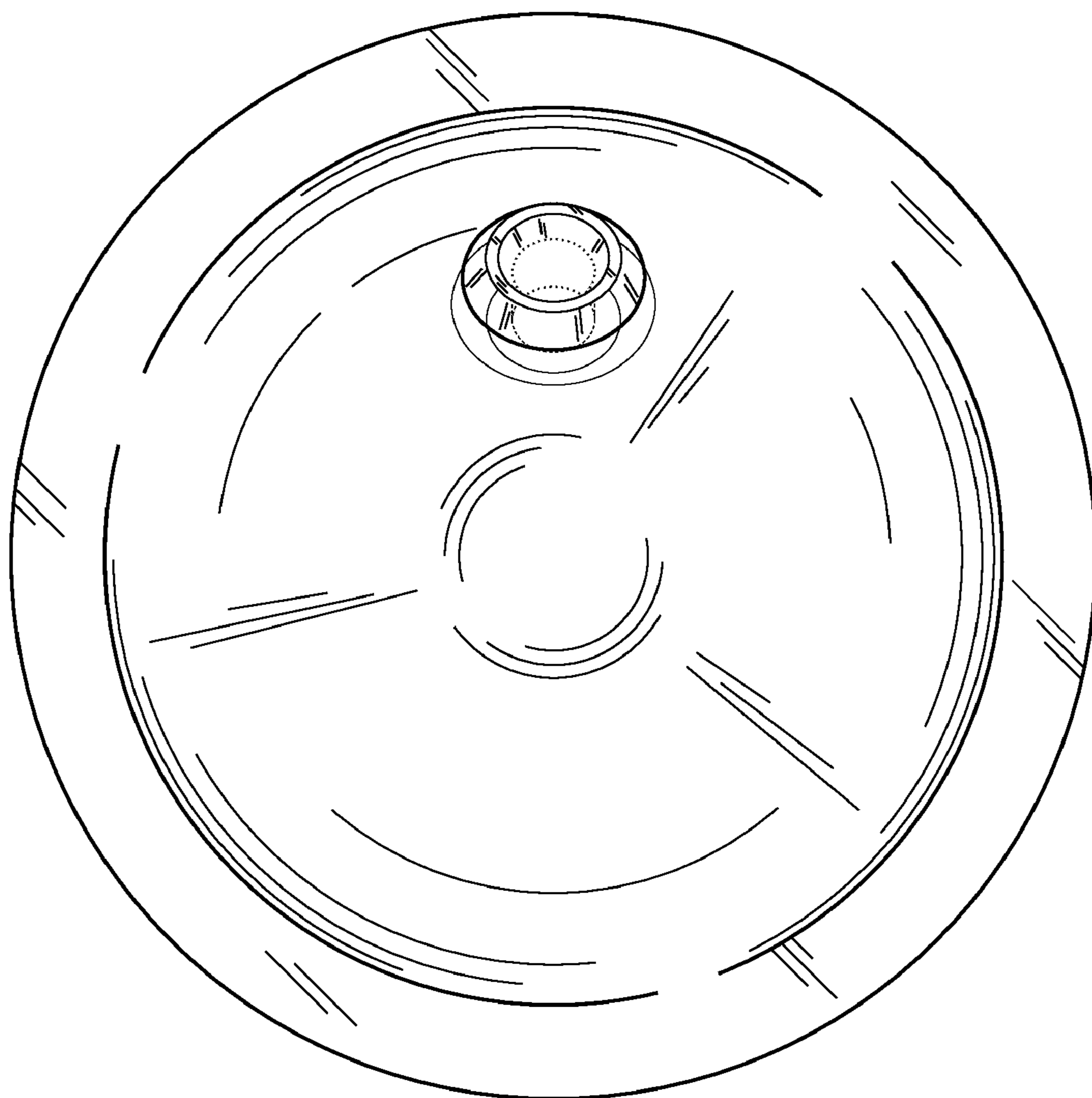


FIG. 10

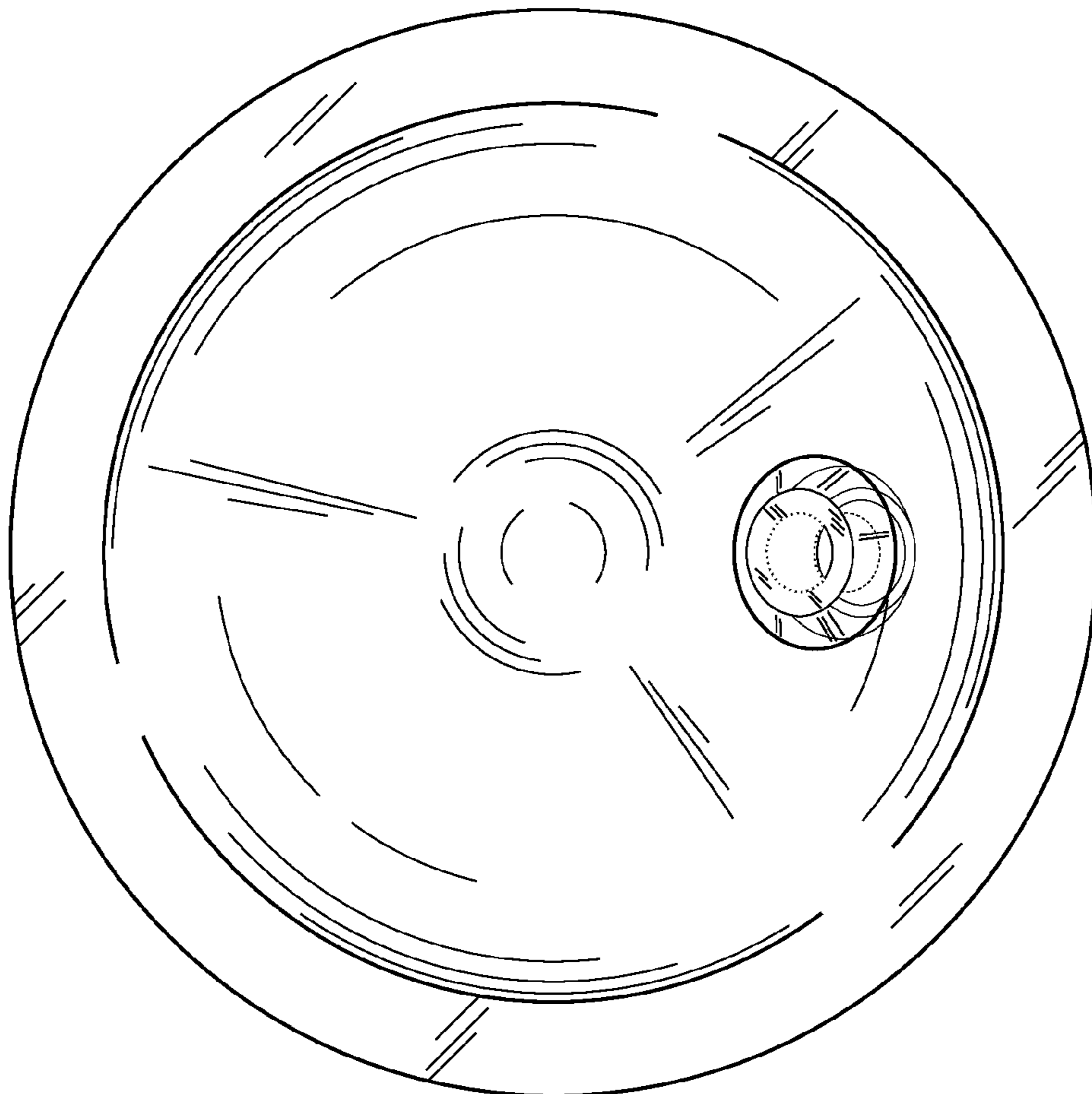


FIG. 11

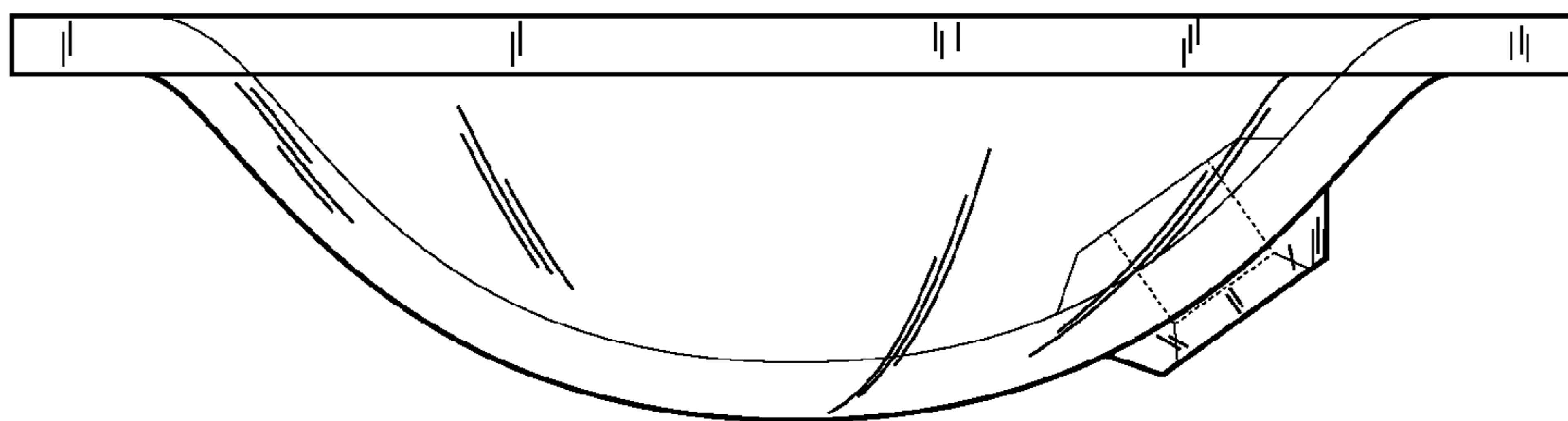


FIG. 12