

US00D666219S

(12) **United States Design Patent**  
**Chu**

(10) **Patent No.:** **US D666,219 S**

(45) **Date of Patent:** **\*\* Aug. 28, 2012**

(54) **CAP FOR AIR COMPRESSOR**

(76) Inventor: **Henry C. Chu**, Orange, CA (US)

(\*\*) Term: **14 Years**

(21) Appl. No.: **29/373,809**

(22) Filed: **May 24, 2011**

(51) **LOC (9) Cl.** ..... **15-02**

(52) **U.S. Cl.** ..... **D15/9**

(58) **Field of Classification Search** ..... D15/7-9;  
D23/231, 232; 417/410.1, 359, 415-416,  
417/234, 321, 265, 405

See application file for complete search history.

(56) **References Cited**

**U.S. PATENT DOCUMENTS**

D529,050 S	*	9/2006	Chu	.....	D15/9
D529,927 S	*	10/2006	Chu	.....	D15/9
D529,930 S	*	10/2006	Chu	.....	D15/9
D533,881 S	*	12/2006	Chu	.....	D15/9
D554,666 S	*	11/2007	Chu	.....	D15/9
D554,667 S	*	11/2007	Chu	.....	D15/9
D555,670 S	*	11/2007	Hwang	.....	D15/9
D575,306 S	*	8/2008	Chu	.....	D15/9
D603,875 S	*	11/2009	Chu	.....	D15/9

D604,747 S \* 11/2009 Hodge ..... D15/9  
\* cited by examiner

*Primary Examiner* — Ralf Seifert

(74) *Attorney, Agent, or Firm* — Charles E. Baxley

(57) **CLAIM**

The ornamental design for a cap for air compressor, as shown and described.

**DESCRIPTION**

FIG. 1 is a front perspective view of a cap for air compressor showing my new design;

FIG. 2 is a front elevational view thereof;

FIG. 3 is a rear elevational view thereof, the element depicted by means of broken lines being for illustrative purposes only and forming no part of the claimed design;

FIG. 4 is a top plan view thereof;

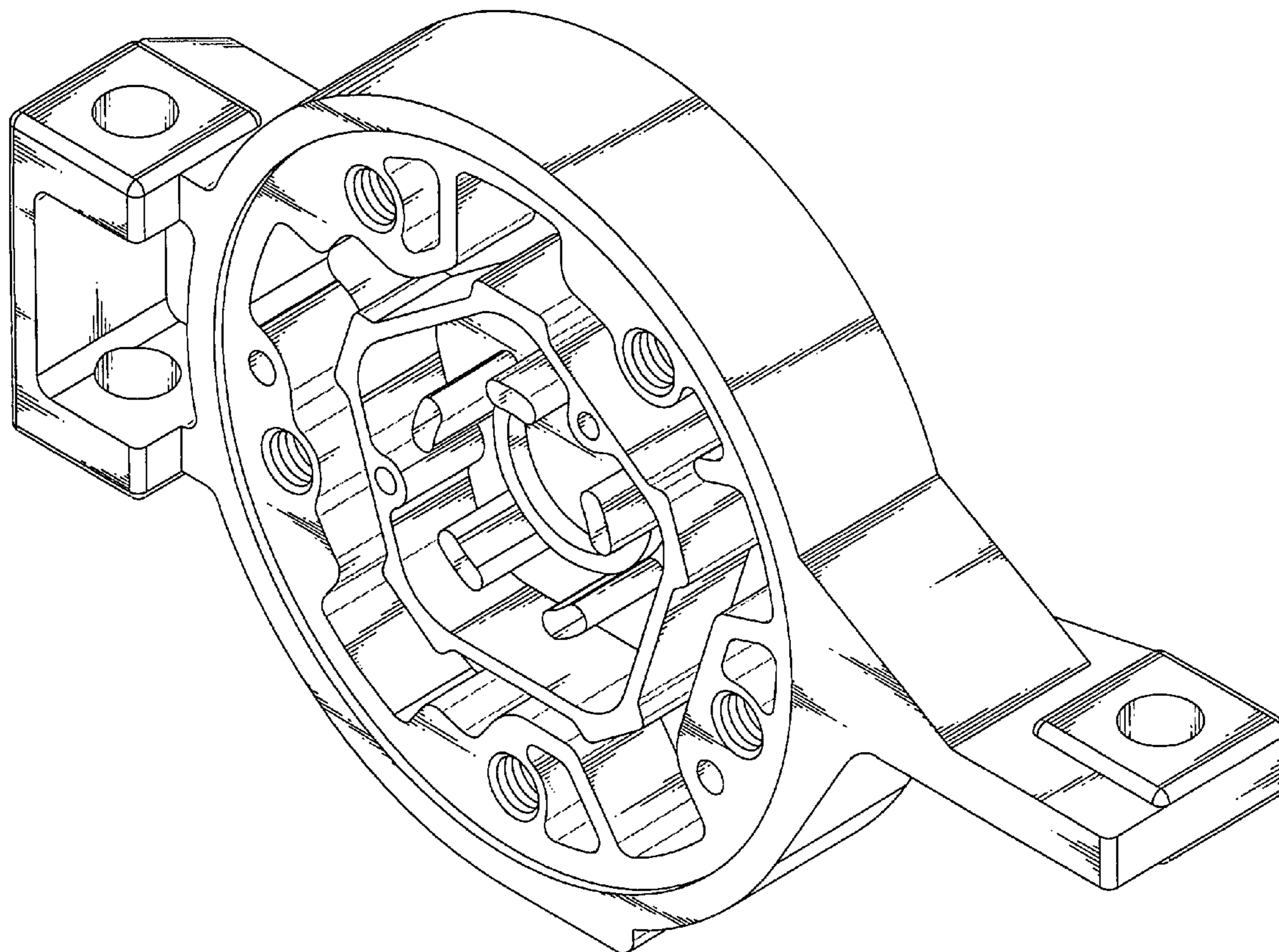
FIG. 5 is a bottom plan view thereof, the element depicted by means of broken lines being for illustrative purposes only and forming no part of the claimed design;

FIG. 6 is a left side elevational view thereof;

FIG. 7 is a right side elevational view thereof; and,

FIG. 8 is a rear perspective view thereof, the element depicted by means of broken lines being for illustrative purposes only and forming no part of the claimed design.

**1 Claim, 6 Drawing Sheets**



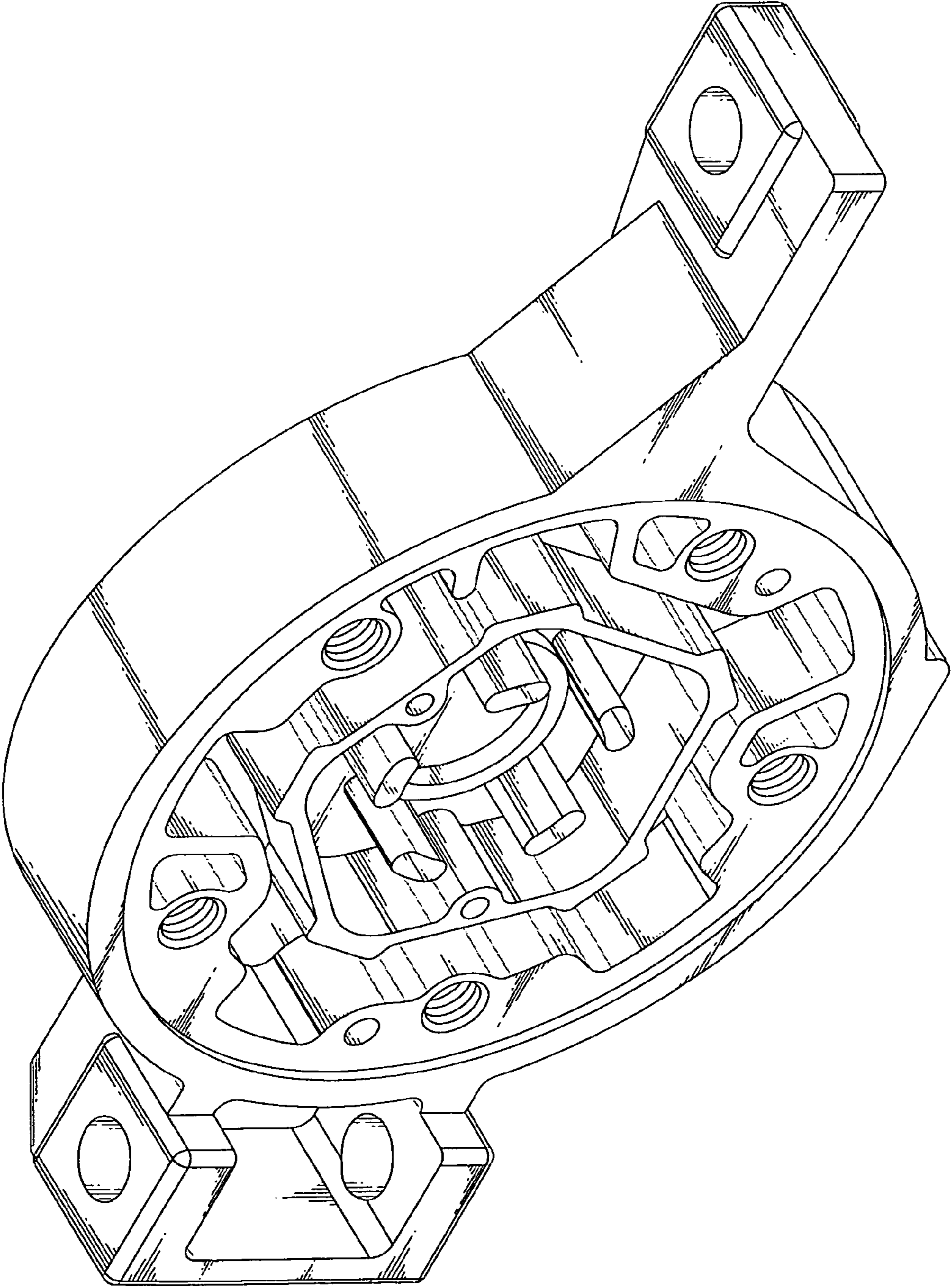


FIG. 1



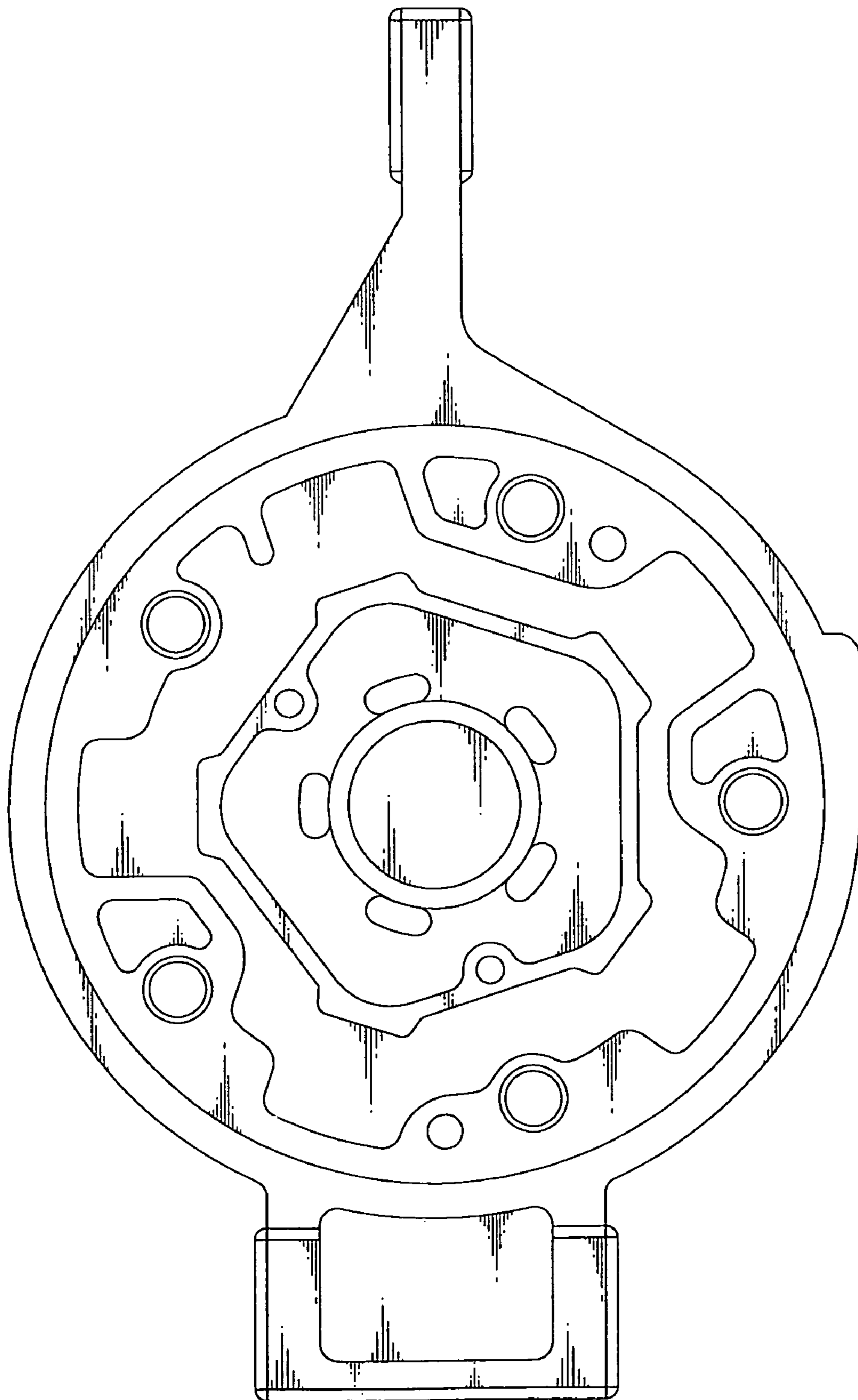


FIG. 2

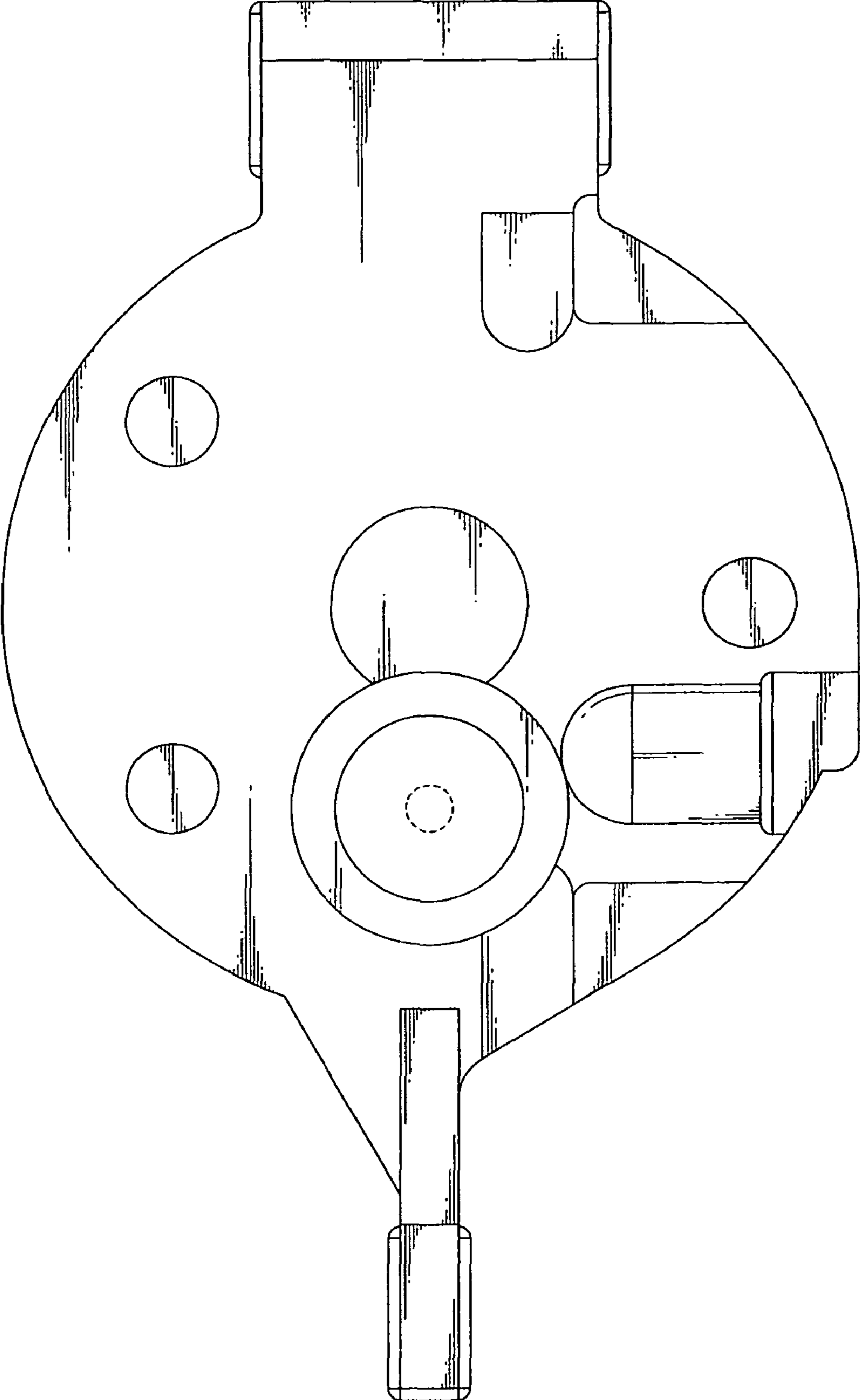


FIG. 3

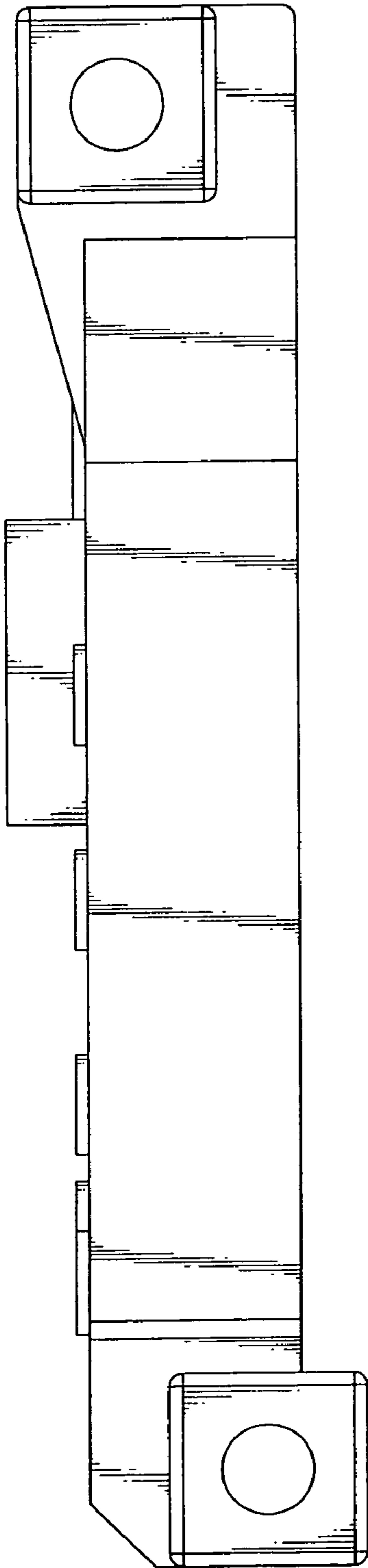


FIG. 4

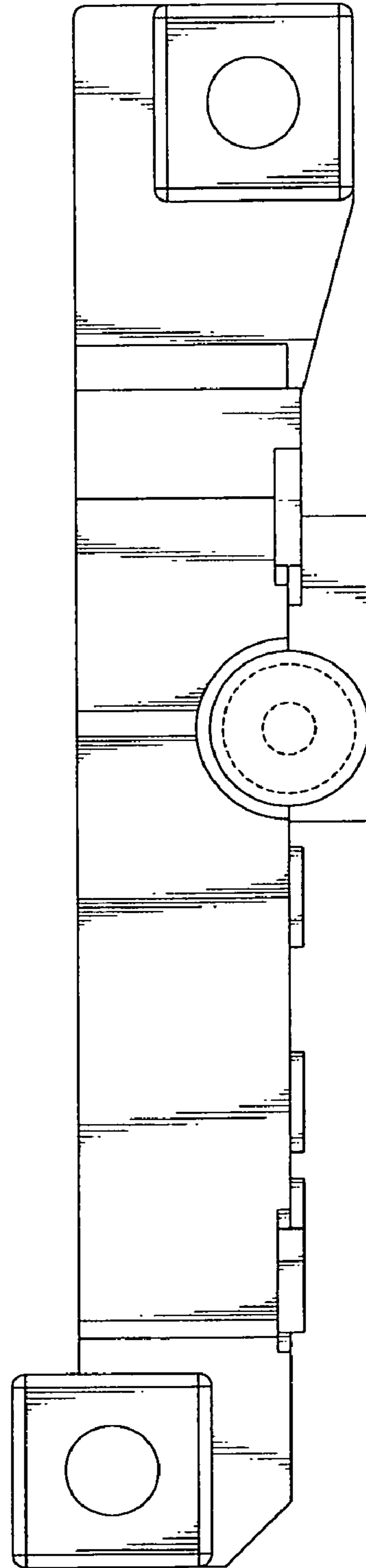


FIG. 5

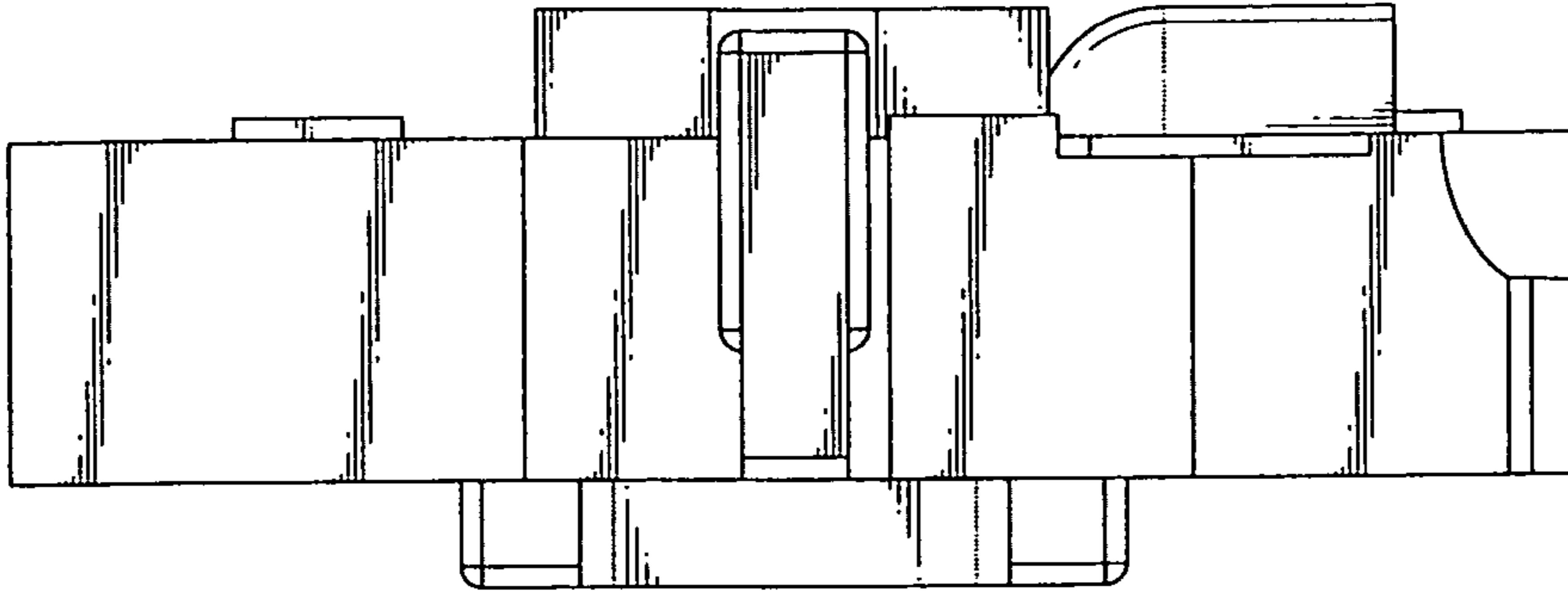


FIG. 7

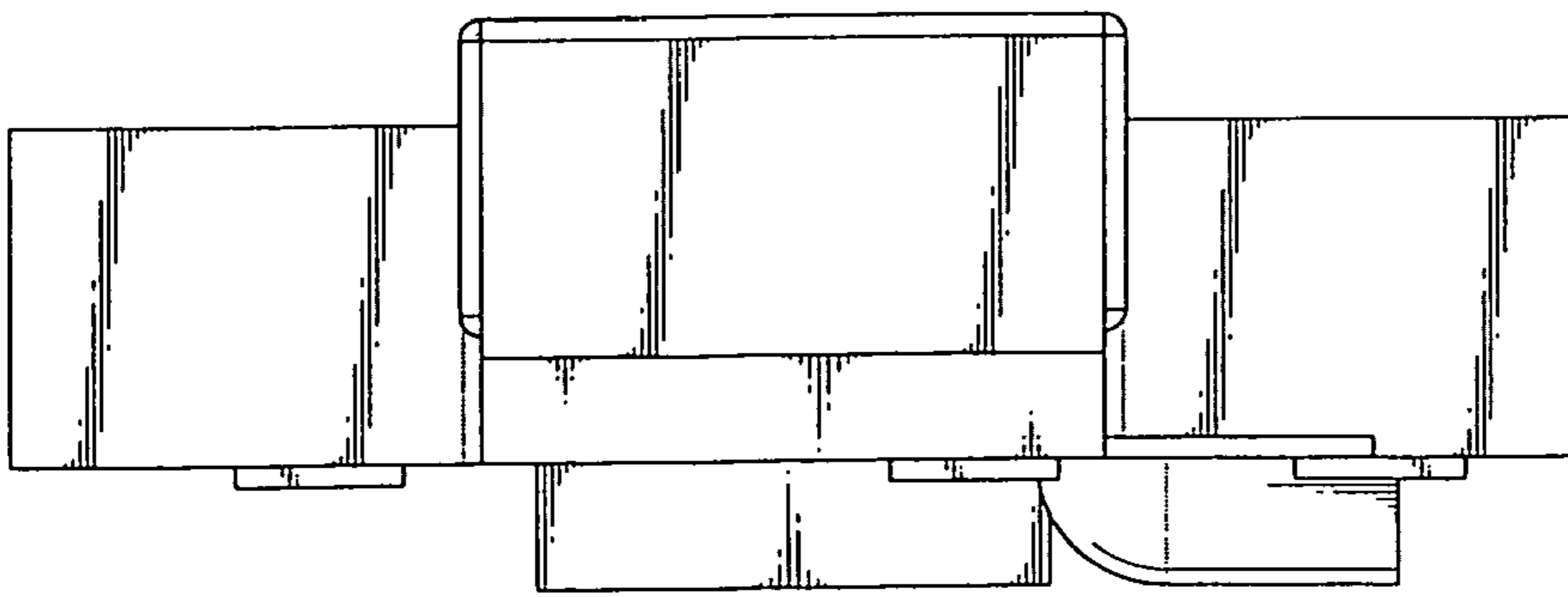


FIG. 6

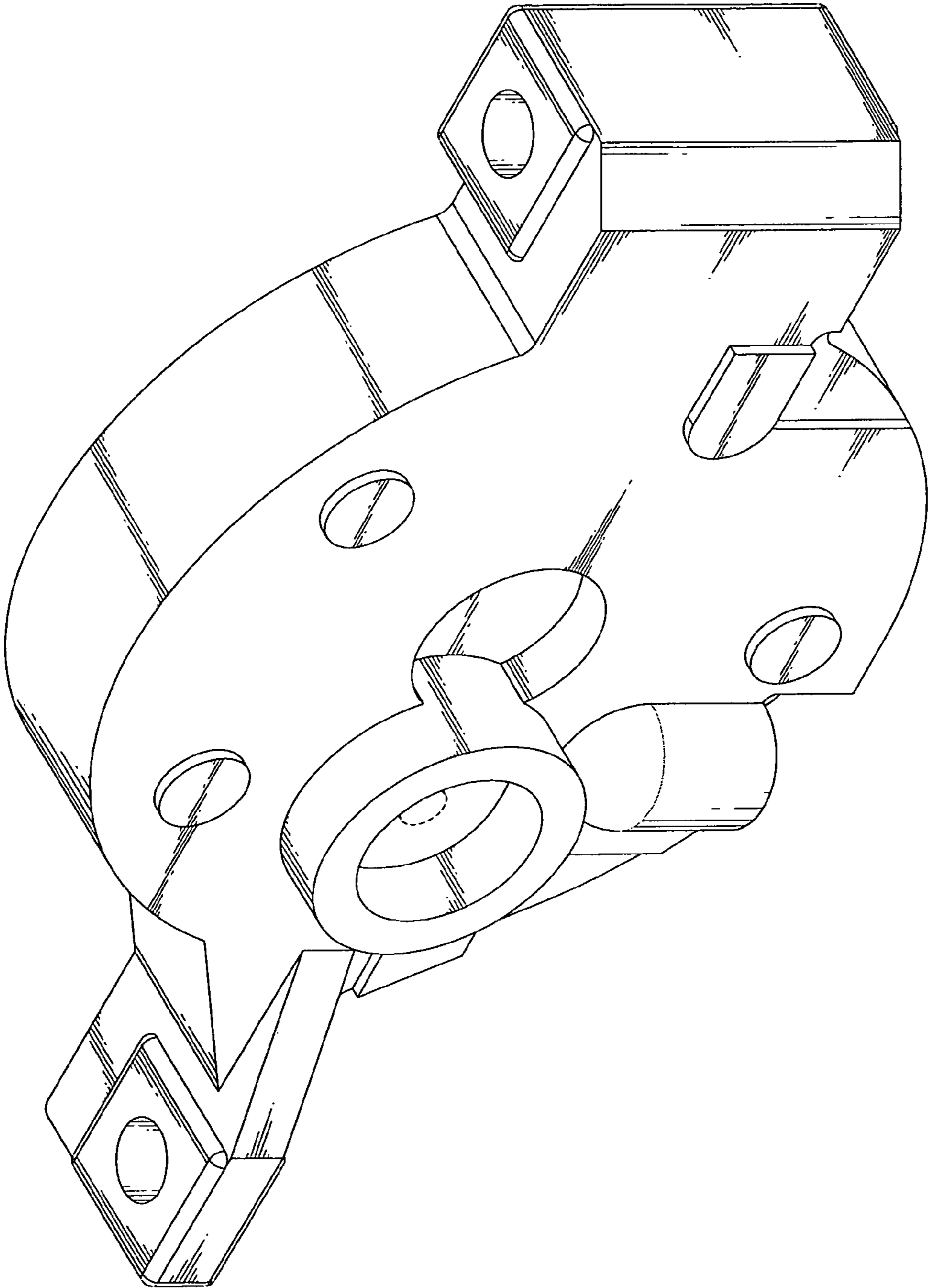


FIG. 8