

US00D666217S

(12) **United States Design Patent**
Pruszynski et al.

(10) **Patent No.:** **US D666,217 S**

(45) **Date of Patent:** **** Aug. 28, 2012**

(54) **VACUUM PUMP**

(75) Inventors: **Michael Pruszynski**, Hialeah, FL (US);
Richard Koldewey, Auburn, IN (US)

(73) Assignee: **CPS Products, Inc.**, Hialeah, FL (US)

(**) Term: **14 Years**

(21) Appl. No.: **29/402,840**

(22) Filed: **Sep. 28, 2011**

(51) **LOC (9) Cl.** **15-02**

(52) **U.S. Cl.** **D15/7**

(58) **Field of Classification Search** D15/7-9;
D23/231, 232, 225; 417/60, 235, 265, 321,
417/355, 358, 363, 359, 410.1, 415-416,
417/405, 900; 60/408, 412; 184/26-37;
415/140-147; 123/495, 509

See application file for complete search history.

(56) **References Cited**

U.S. PATENT DOCUMENTS

4,631,006 A 12/1986 Murray
D444,797 S * 7/2001 Davis et al. D15/9
D549,744 S 8/2007 Sundheim et al.
D573,159 S 7/2008 Etter
D590,843 S * 4/2009 Averill et al. D15/9

D603,872 S * 11/2009 Averill et al. D15/9
D604,746 S 11/2009 Nishido et al.
D618,707 S * 6/2010 Schuetz et al. D15/7
D630,229 S 1/2011 Dreifert
D656,518 S * 3/2012 Varini D15/7

* cited by examiner

Primary Examiner — Ralf Seifert

(74) *Attorney, Agent, or Firm* — Malin Haley DiMaggio
Bowen & Lhota, P.A.

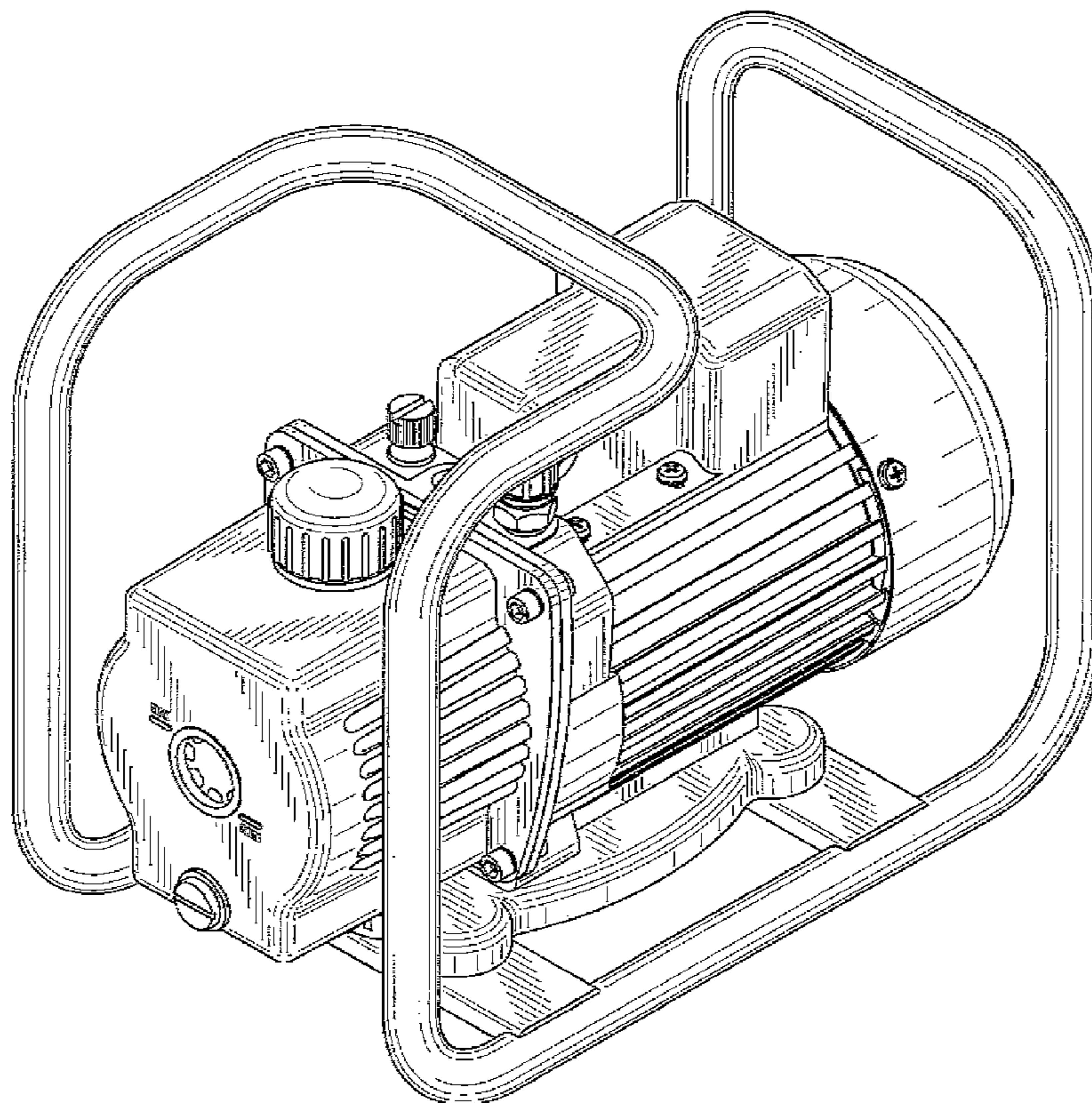
(57) **CLAIM**

The ornamental design for a vacuum pump unit, as shown and described.

DESCRIPTION

FIG. 1 is a perspective view of the vacuum pump, showing the new design;
FIG. 2 is a right side elevation view of the vacuum pump;
FIG. 3 is a left side elevation view of the vacuum pump;
FIG. 4 is a front elevation view of the vacuum pump;
FIG. 5 is a rear elevation view of the vacuum pump;
FIG. 6 is a top elevation view of the vacuum pump; and,
FIG. 7 is a bottom elevation view of the vacuum pump.
The broken lines in FIG. 7 are included for the purpose of illustration portions of the vacuum pump that form no part of the claimed design.

1 Claim, 6 Drawing Sheets



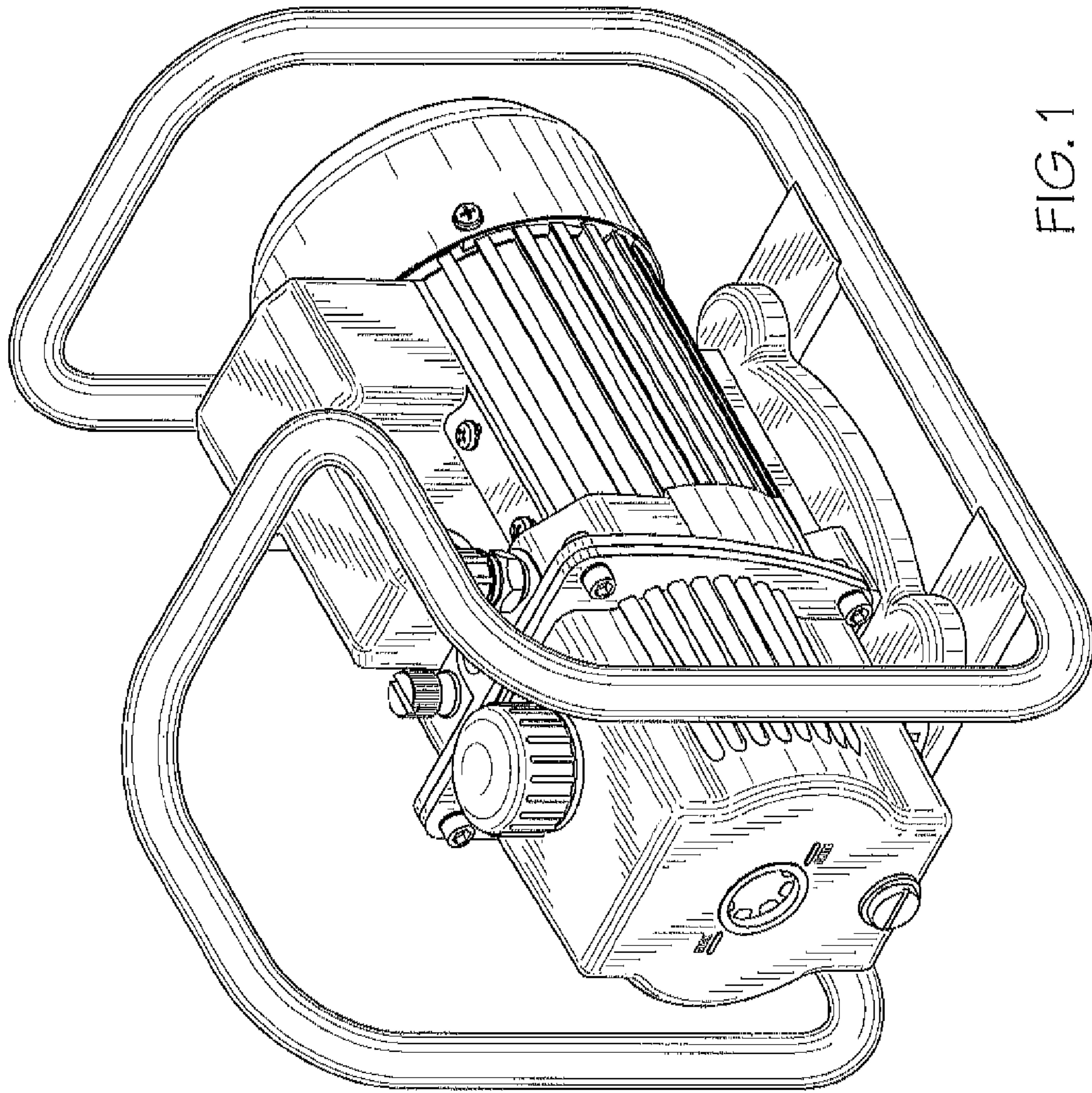


FIG. 1

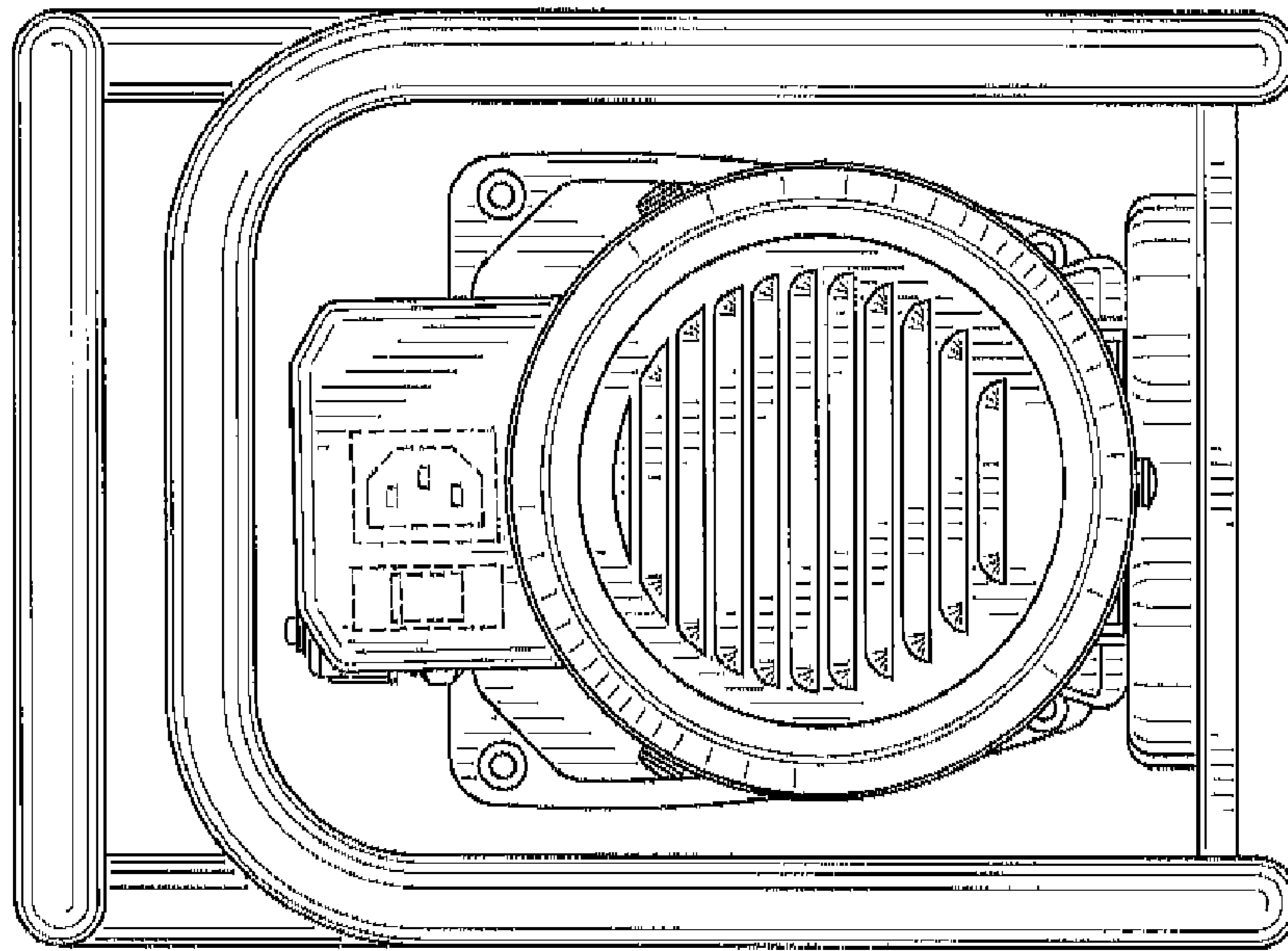


FIG. 3

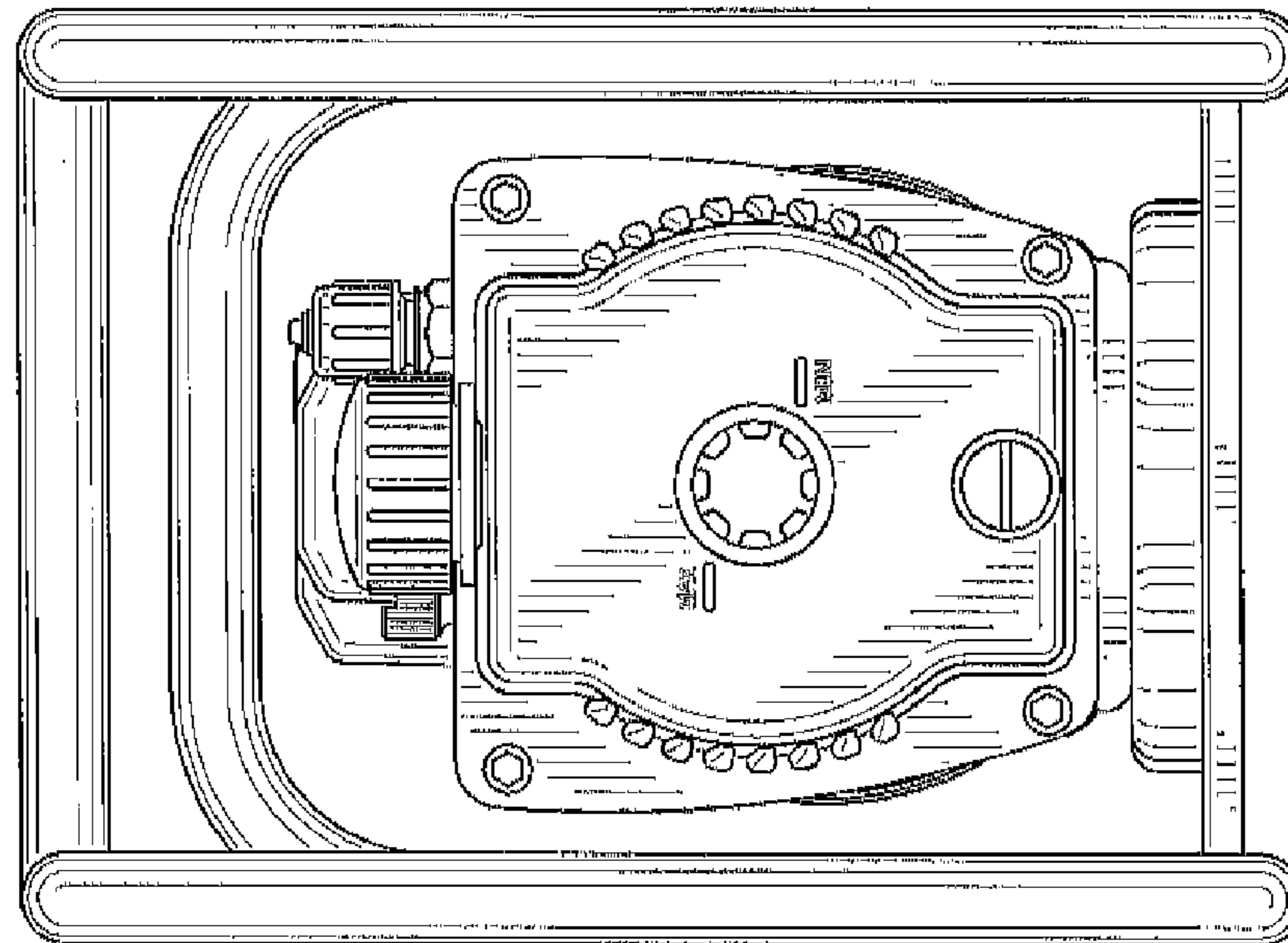


FIG. 2

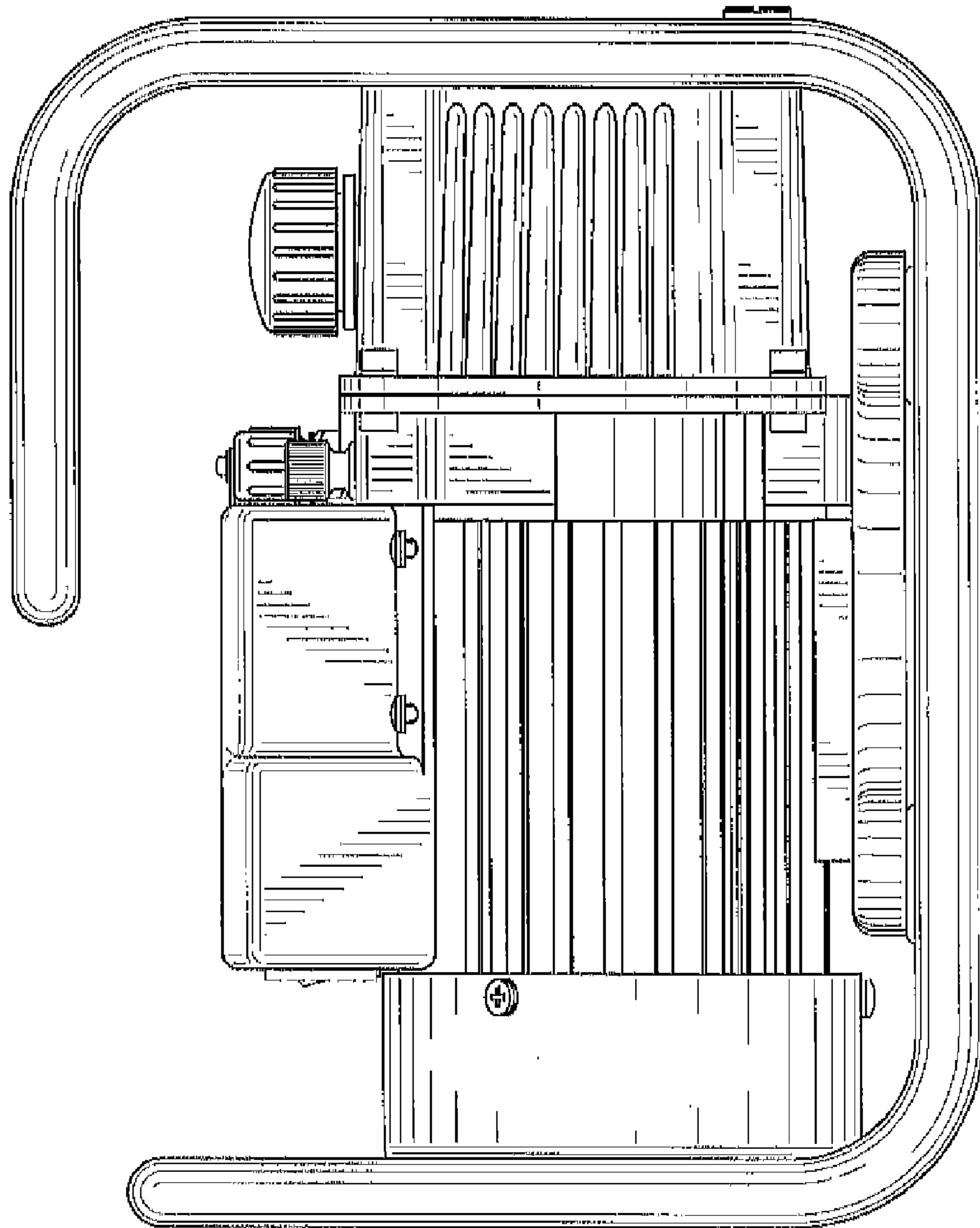


FIG. 4

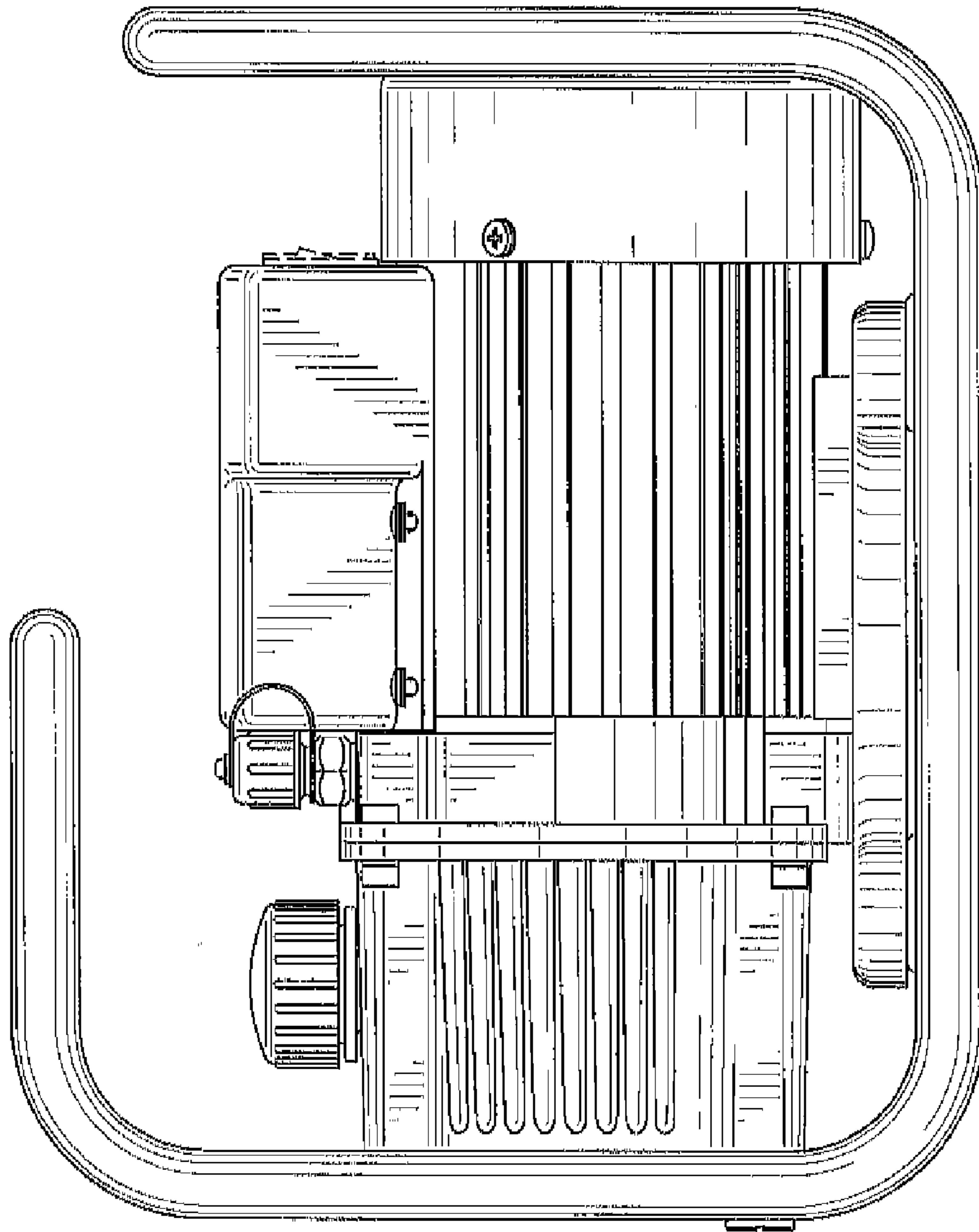


FIG. 5

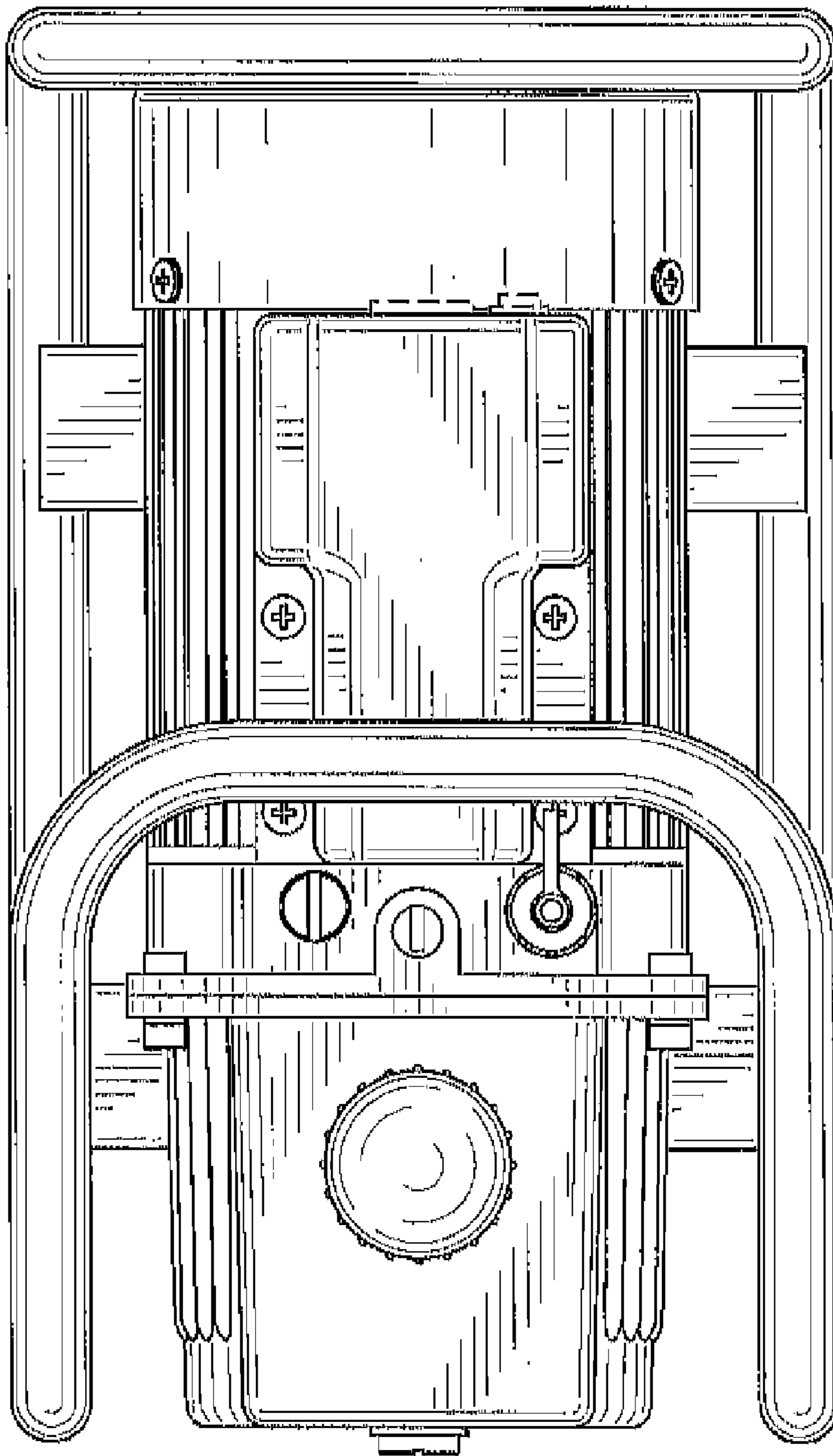


FIG. 6

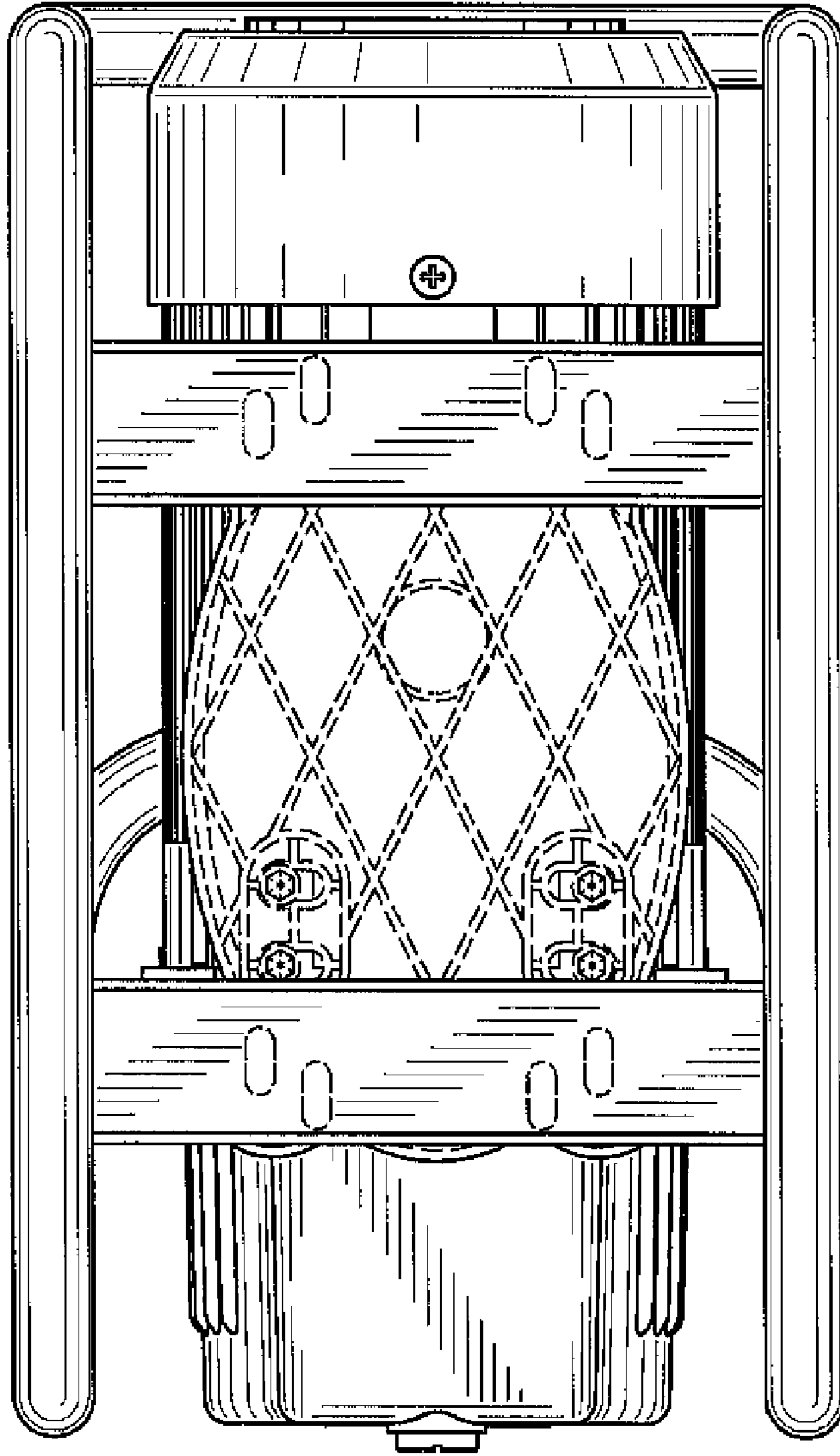


FIG. 7