

US00D666216S

(12) **United States Design Patent**
Yagihashi

(10) **Patent No.:** **US D666,216 S**

(45) **Date of Patent:** **** Aug. 28, 2012**

(54) **DISC PLAYER**

(75) Inventor: **Tatsuya Yagihashi**, Tokyo (JP)

(73) Assignee: **Sony Corporation**, Tokyo (JP)

(**) Term: **14 Years**

(21) Appl. No.: **29/371,411**

(22) Filed: **Feb. 17, 2011**

Related U.S. Application Data

(63) Continuation-in-part of application No. 29/347,690, filed on Apr. 12, 2010, which is a continuation of application No. 29/311,571, filed on Apr. 22, 2009, now Pat. No. Des. 613,764.

Foreign Application Priority Data

(30) Jan. 15, 2009 (CN) 2009 3 0003567
Jan. 15, 2009 (CN) 2009 3 0003568
Jul. 30, 2010 (CN) 2010 3 0273896
Jul. 30, 2010 (CN) 2010 3 0273900

(51) **LOC (9) Cl.** **14-01**

(52) **U.S. Cl.** **D14/511**

(58) **Field of Classification Search** D14/496,
D14/498-505, 511, 157, 167-168, 188, 197-198,
D14/257-258; 360/99.02, 99.07; 369/75.11,
369/75.21, 77.11, 77.21; 720/601, 612, 619,
720/649, 655; 455/344, 347-351

See application file for complete search history.

(56) **References Cited**

U.S. PATENT DOCUMENTS

D400,529 S * 11/1998 Kakizaki D14/157
D409,192 S * 5/1999 Miyazaki D14/502

D411,996 S * 7/1999 Yamazaki D14/168
D423,500 S * 4/2000 Miyazaki D14/168
D425,892 S * 5/2000 Ito et al. D14/505
D430,132 S * 8/2000 Yamazaki D14/505
D437,841 S * 2/2001 Kakizaki et al. D14/157
D438,520 S * 3/2001 Nose et al. D14/505
D450,692 S 11/2001 Hakoda
D486,134 S * 2/2004 Hori et al. D14/502
D534,887 S * 1/2007 Endo et al. D14/505
D537,433 S 2/2007 Shimizu
D538,776 S 3/2007 Suzuki
D538,778 S 3/2007 Shiono
D543,964 S 6/2007 Shiono
D548,209 S 8/2007 Shiono
D563,922 S * 3/2008 Shiono D14/505
D568,847 S 5/2008 Shiono
D571,326 S 6/2008 Ogura
D571,347 S 6/2008 Masui
D585,403 S * 1/2009 Wada D14/500
D613,764 S 4/2010 Yokoyama et al.

* cited by examiner

Primary Examiner — Prabhakar Deshmukh

(74) *Attorney, Agent, or Firm* — Rader, Fishman & Grauer PLLC

(57) **CLAIM**

The ornamental design for a disc player, as shown and described.

DESCRIPTION

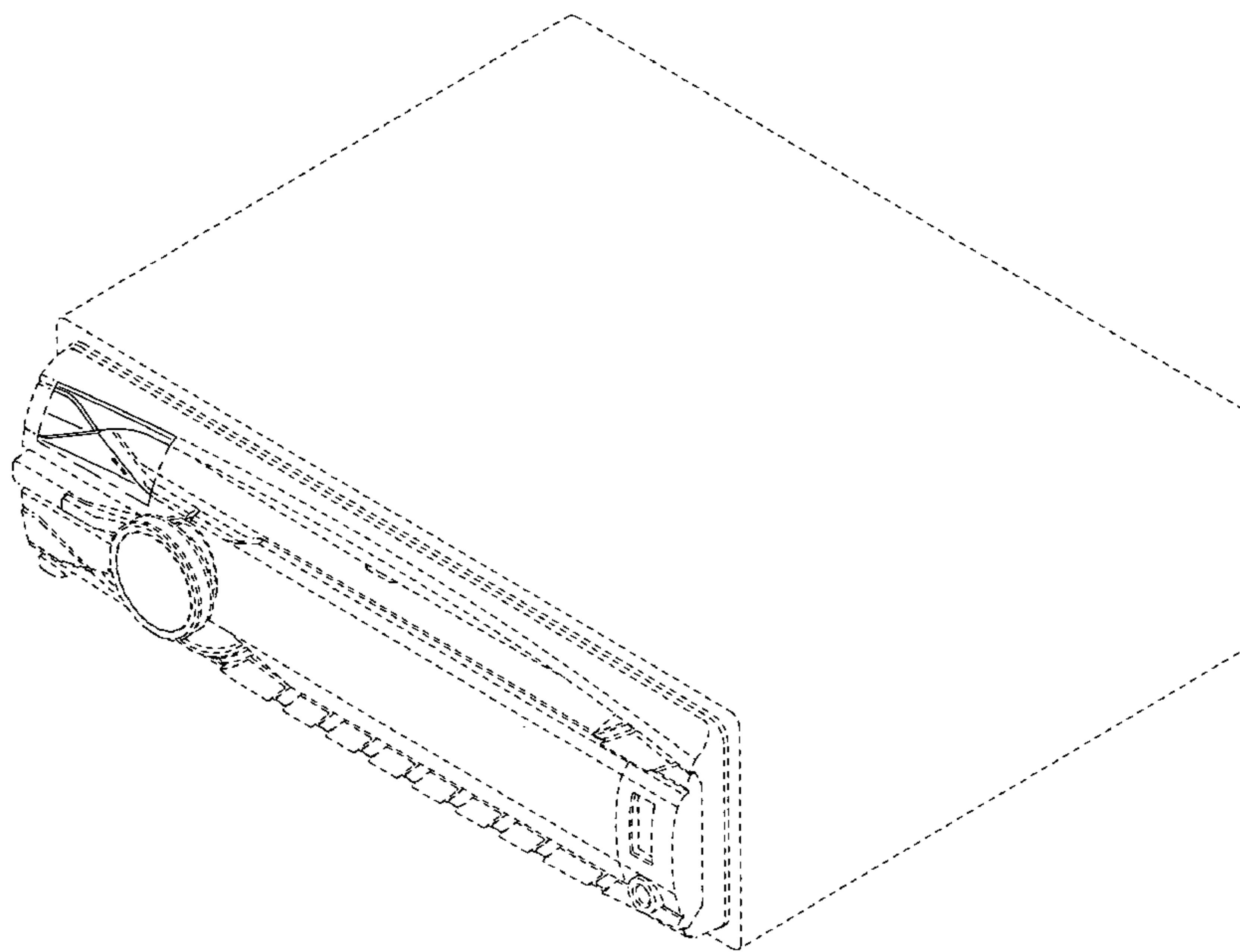
FIG. 1 is a perspective view of a disc player showing my new design;

FIG. 2 is a front elevational view thereof; and,

FIG. 3 is a top plan view thereof.

The broken line showing of the drawing disclosure is for illustrative purposes only and forms no part of the claimed design.

1 Claim, 3 Drawing Sheets



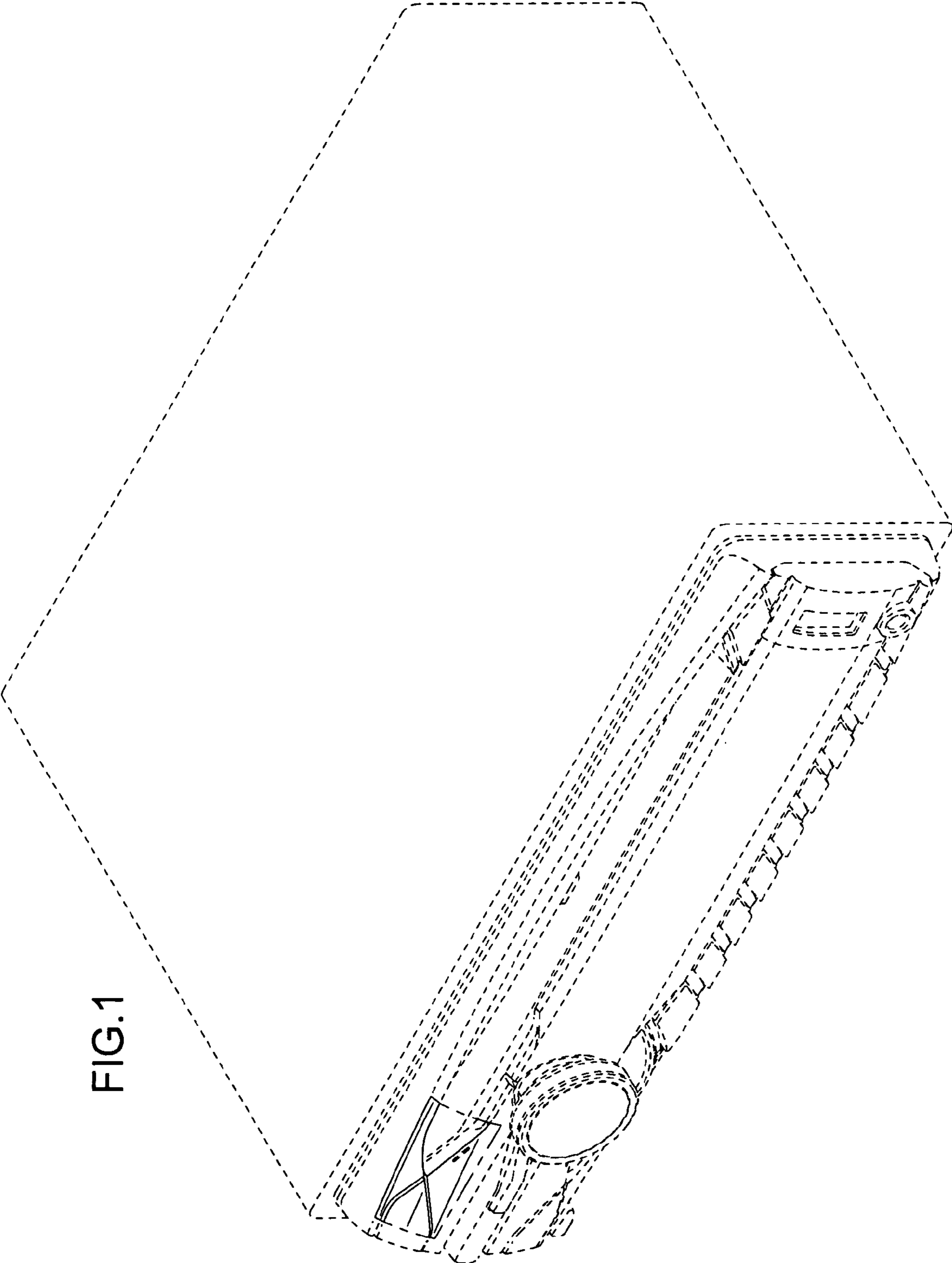
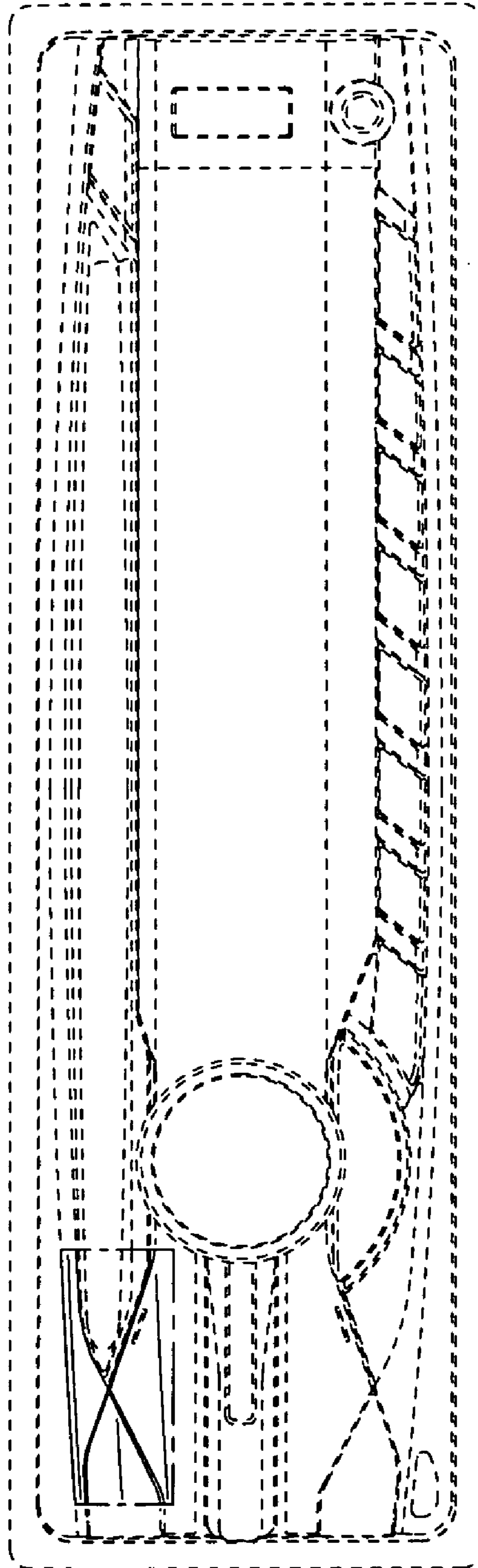


FIG.1

FIG.2



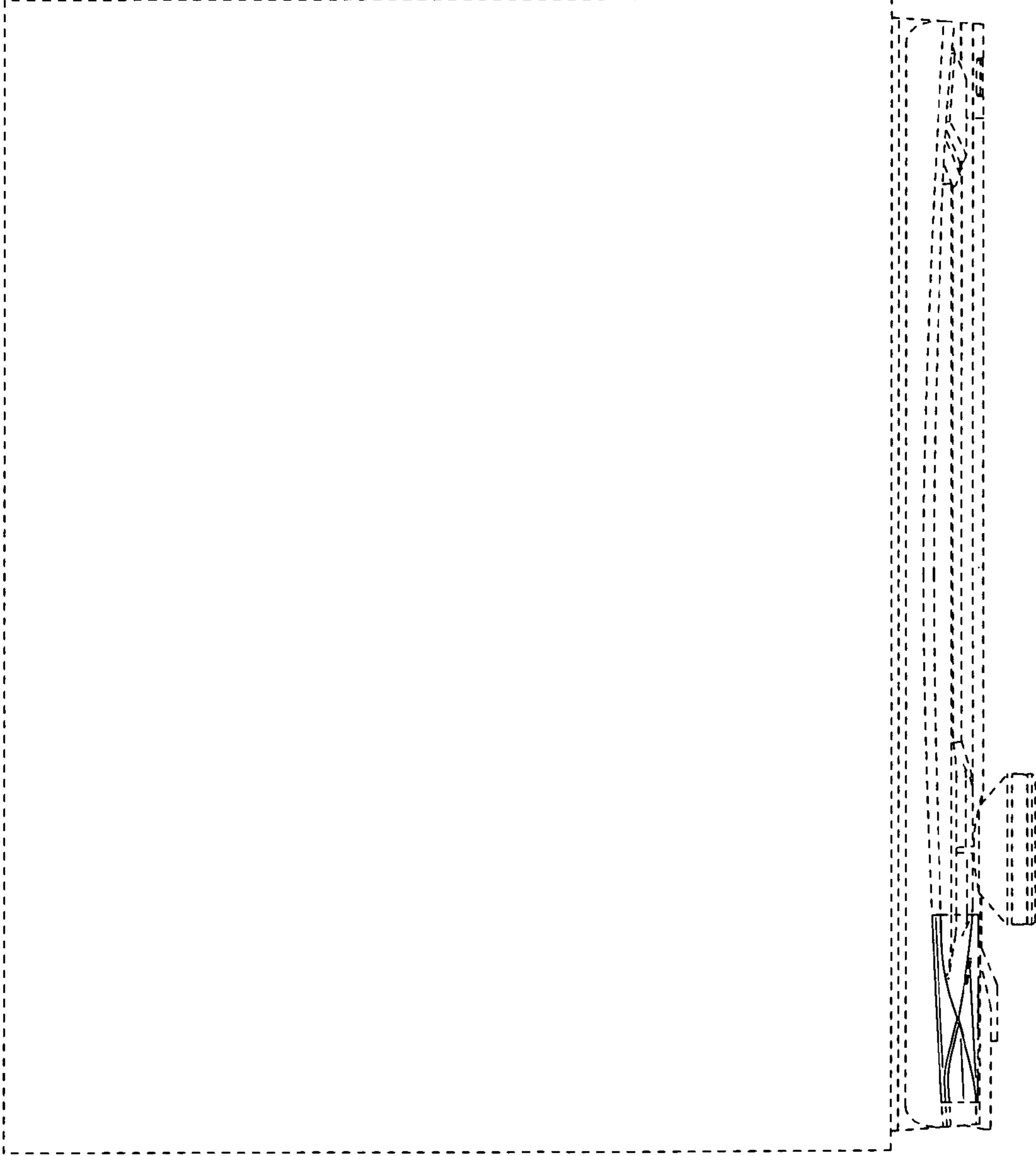


FIG.3