

US00D666207S

(12) **United States Design Patent**  
**Brandt**

(10) **Patent No.:** **US D666,207 S**

(45) **Date of Patent:** **\*\* Aug. 28, 2012**

(54) **THIN ARTICULATING ARM ASSEMBLY FOR DISPLAY MOUNT**

(75) Inventor: **Jamie Brandt**, Shakopee, MN (US)

(73) Assignee: **Milestone AV Technologies LLC**, Eden Prairie, MN (US)

(\*\*) Term: **14 Years**

(21) Appl. No.: **29/415,224**

(22) Filed: **Mar. 8, 2012**

**Related U.S. Application Data**

(62) Division of application No. 29/402,196, filed on Sep. 21, 2011, now Pat. No. Des. 662,104.

(51) **LOC (9) Cl.** ..... **08-07**

(52) **U.S. Cl.** ..... **D14/452**

(58) **Field of Classification Search** ..... D14/448, D14/451, 452, 457, 460, 432, 439, 447, 127, D14/239, 373, 374, 377; D8/349, 354, 363, D8/373, 376, 380; 248/519, 534, 541, 58, 248/125.8, 127, 131, 133, 139, 176.1, 176.3, 248/188.5, 279.1, 333, 917, 918, 919, 920, 248/922, 923, 924; 361/679.02, 679.04, 361/679.05, 679.06, 679.07, 679.09, 679.21, 361/679.22, 679.26, 679.3; 379/454, 455; 312/223.3; 348/825

See application file for complete search history.

(56) **References Cited**

**U.S. PATENT DOCUMENTS**

D562,113 S \* 2/2008 Ciungan et al. .... D8/363  
D562,114 S \* 2/2008 Chiu et al. .... D8/363

D569,381 S \* 5/2008 Sculler et al. .... D14/452  
D630,623 S \* 1/2011 Molter et al. .... D14/239  
D631,038 S \* 1/2011 Molter et al. .... D14/239  
D634,739 S \* 3/2011 Molter et al. .... D14/239  
D635,966 S \* 4/2011 Molter et al. .... D14/239  
D638,023 S \* 5/2011 Skull et al. .... D14/452  
D642,583 S \* 8/2011 Dittmer et al. .... D14/452  
D646,685 S \* 10/2011 Skull et al. .... D14/452  
D651,199 S \* 12/2011 Huang ..... D14/239  
D662,104 S \* 6/2012 Brandt ..... D14/452  
2011/0315843 A1\* 12/2011 Hung ..... 248/279.1

\* cited by examiner

*Primary Examiner* — Cynthia Ramirez

(74) *Attorney, Agent, or Firm* — Patterson Thuent Christensen Pedersen, P.A.

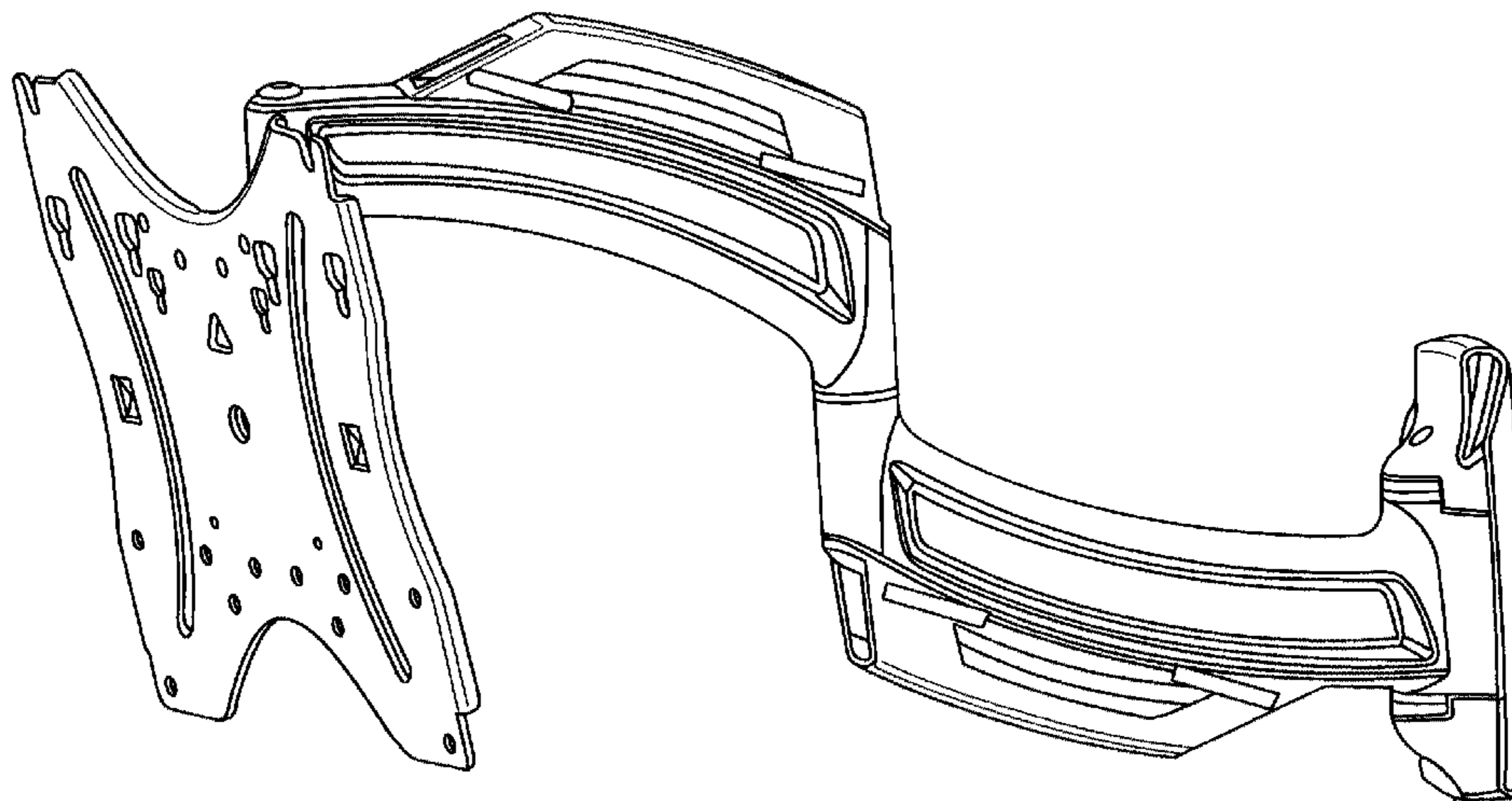
(57) **CLAIM**

The ornamental design for a thin articulating arm assembly for display mount, as shown and described.

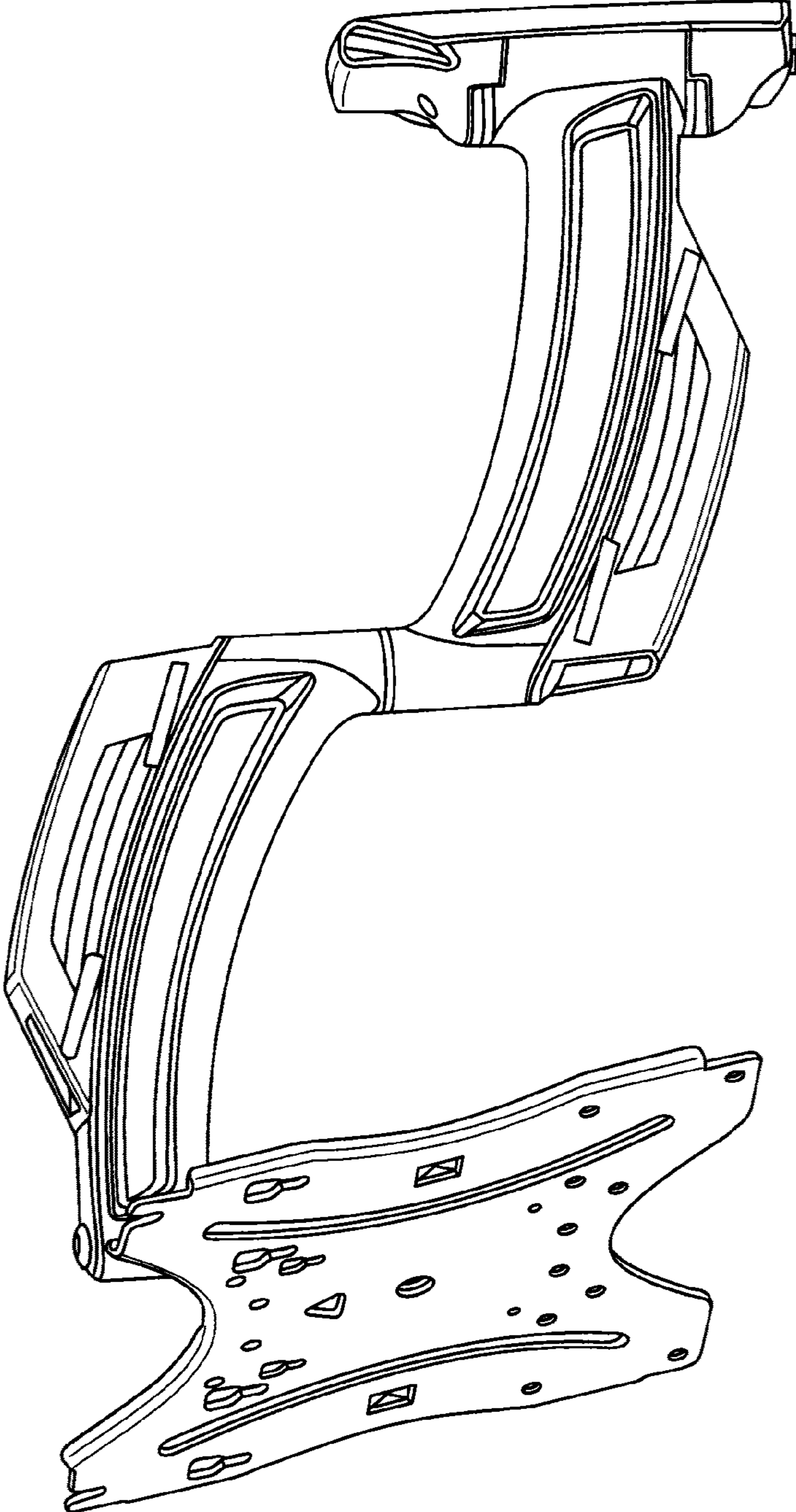
**DESCRIPTION**

FIG. 1 is a front isometric view of a thin articulating arm assembly for display mount according to the invention; FIG. 2 is a front elevation view of the thin articulating arm assembly for display mount depicted in FIG. 1; FIG. 3 is a side elevation view of the thin articulating arm assembly for display mount depicted in FIG. 1; FIG. 4 is an opposing side elevation view of the thin articulating arm assembly for display mount depicted in FIG. 1; FIG. 5 is a top plan view of the thin articulating arm assembly for display mount depicted in FIG. 1; and, FIG. 6 is a bottom plan view of the thin articulating arm assembly for display mount depicted in FIG. 1. The rear elevation of the mount depicted in FIGS. 1-6 is not claimed, and hence is not depicted.

**1 Claim, 6 Drawing Sheets**



**Fig. 1**



**Fig. 2**

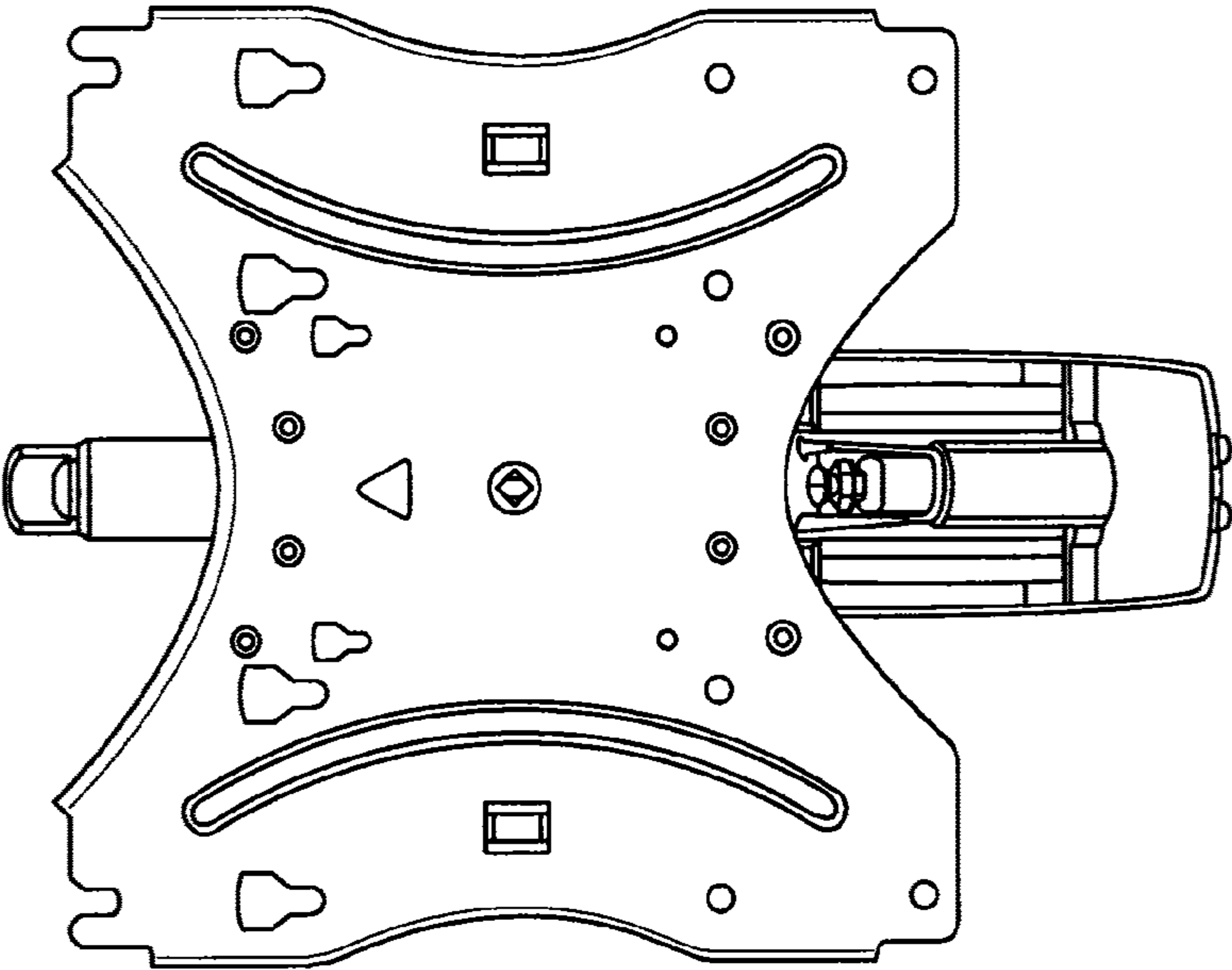
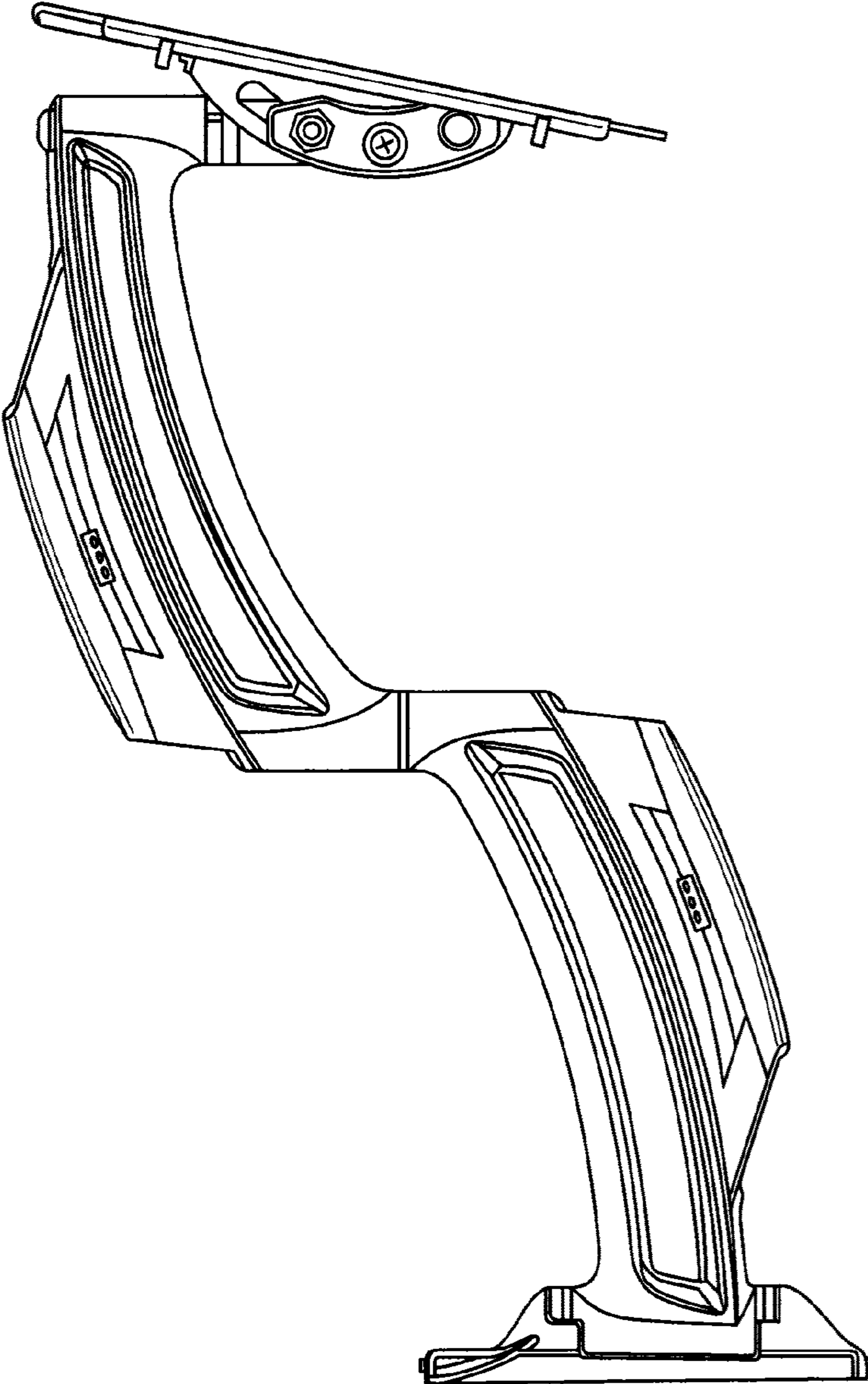
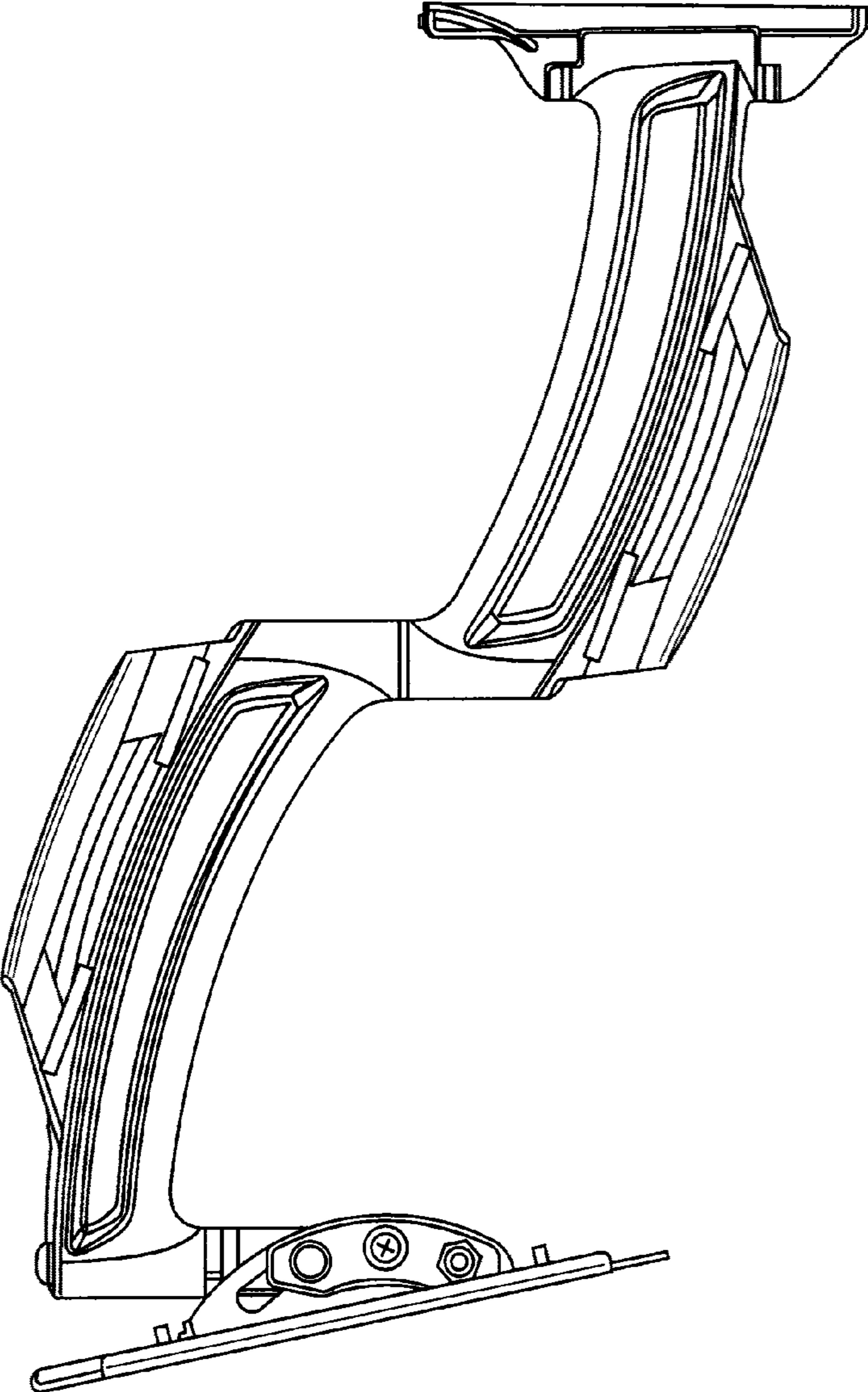


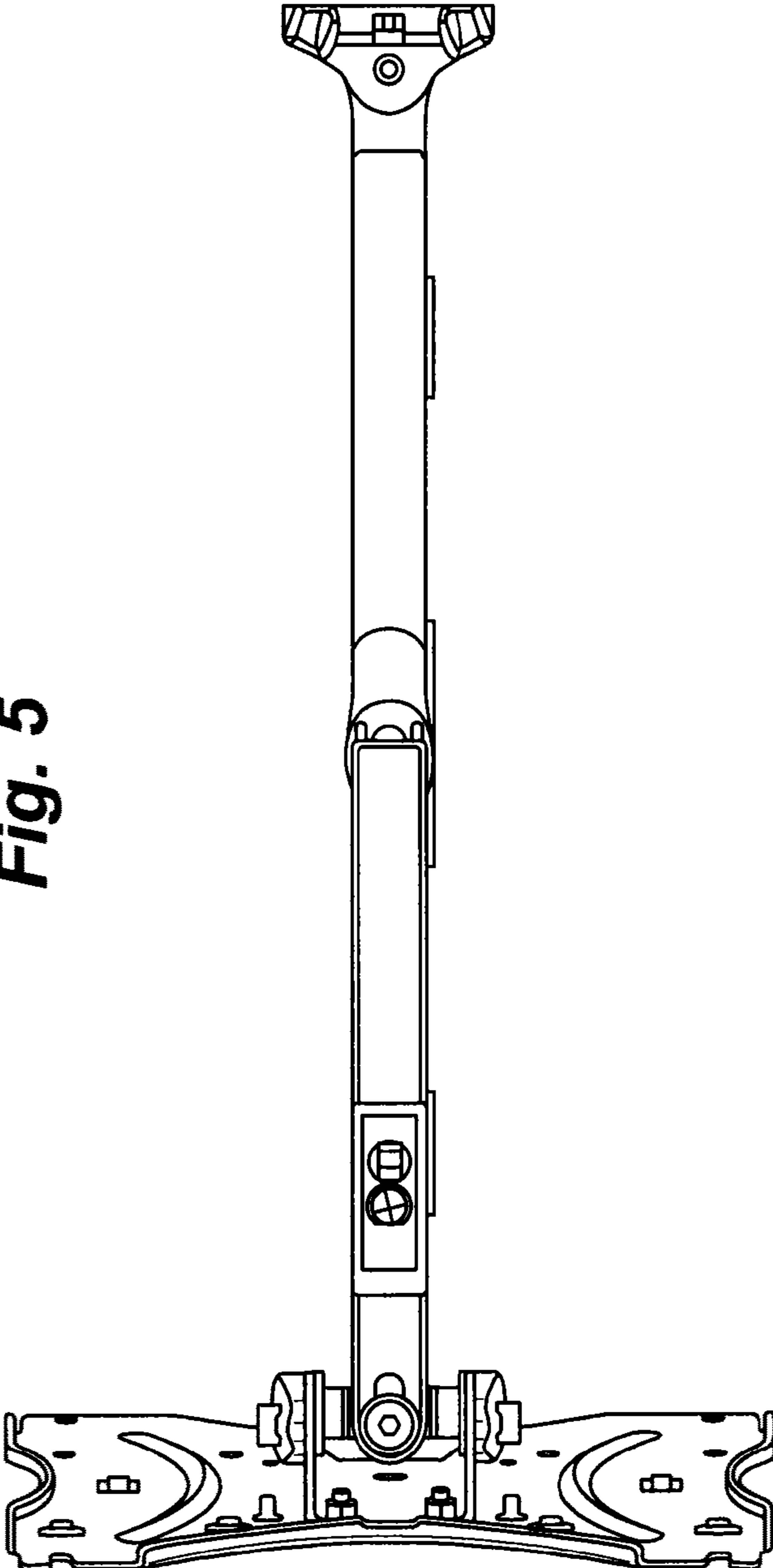
Fig. 3



**Fig. 4**



**Fig. 5**



**Fig. 6**

