



US00D666206S

(12) **United States Design Patent**
Huang

(10) **Patent No.:** **US D666,206 S**

(45) **Date of Patent:** **** Aug. 28, 2012**

(54) **MONITOR SUPPORT**

(76) Inventor: **Ming-Hsien Huang**, New Taipei (TW)

(**) Term: **14 Years**

(21) Appl. No.: **29/408,327**

(22) Filed: **Dec. 9, 2011**

Related U.S. Application Data

(63) Continuation-in-part of application No. 12/360,404, filed on Jan. 27, 2009.

(30) **Foreign Application Priority Data**

Feb. 1, 2008 (TW) 097202217

(51) **LOC (9) Cl.** **08-07**

(52) **U.S. Cl.** **D14/452**

(58) **Field of Classification Search** D14/452,
D14/439, 440, 447, 449, 450, 451, 432, 434,
D14/457, 336, 337, 339, 340, 371, 372, 373,
D14/374, 375, 376, 377, 378, 379, 380, 381,
D14/382, 126, 127, 128, 129, 203.8, 217,
D14/238.1, 239; 248/917, 918, 919, 920,
248/921, 922, 923, 924; 348/184, 739, 761,
348/791, 825, 834, 835; 349/58, 60; D6/406.1,
D6/406.3, 406.4, 406.5, 406.6; D8/363,
D8/380; 361/679.06, 679.02, 679.09, 679.21,
361/679.3, 679.55, 679.56, 679.26, 679.27
See application file for complete search history.

(56) **References Cited**

U.S. PATENT DOCUMENTS

D558,564	S	*	1/2008	Ciungan	D8/363
D559,088	S	*	1/2008	Ciungan	D8/363
7,487,943	B1	*	2/2009	Gillespie	248/282.1
D611,479	S	*	3/2010	Hau et al.	D14/452
D621,820	S	*	8/2010	Liang	D14/239
D627,787	S	*	11/2010	Grey et al.	D14/452
D642,583	S	*	8/2011	Dittmer et al.	D14/452
D650,373	S	*	12/2011	Stemple	D14/239
2008/0035816	A1	*	2/2008	Ciungan	248/276.1
2008/0258029	A1	*	10/2008	Zhang	248/284.1

* cited by examiner

Primary Examiner — Cynthia Ramirez

(74) *Attorney, Agent, or Firm* — Frommer Lawrence & Haug LLP; Ronald R. Santucci

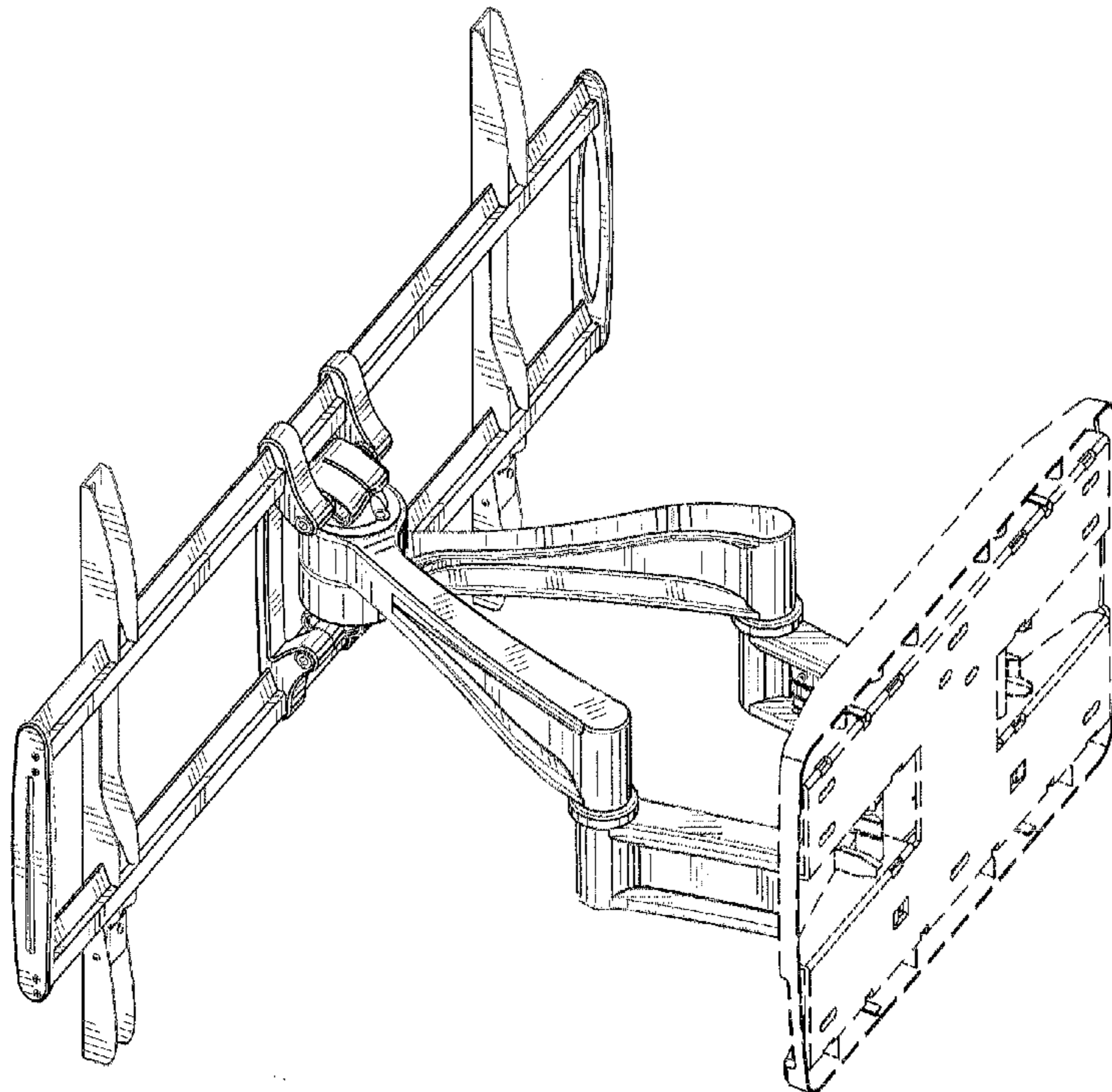
(57) **CLAIM**

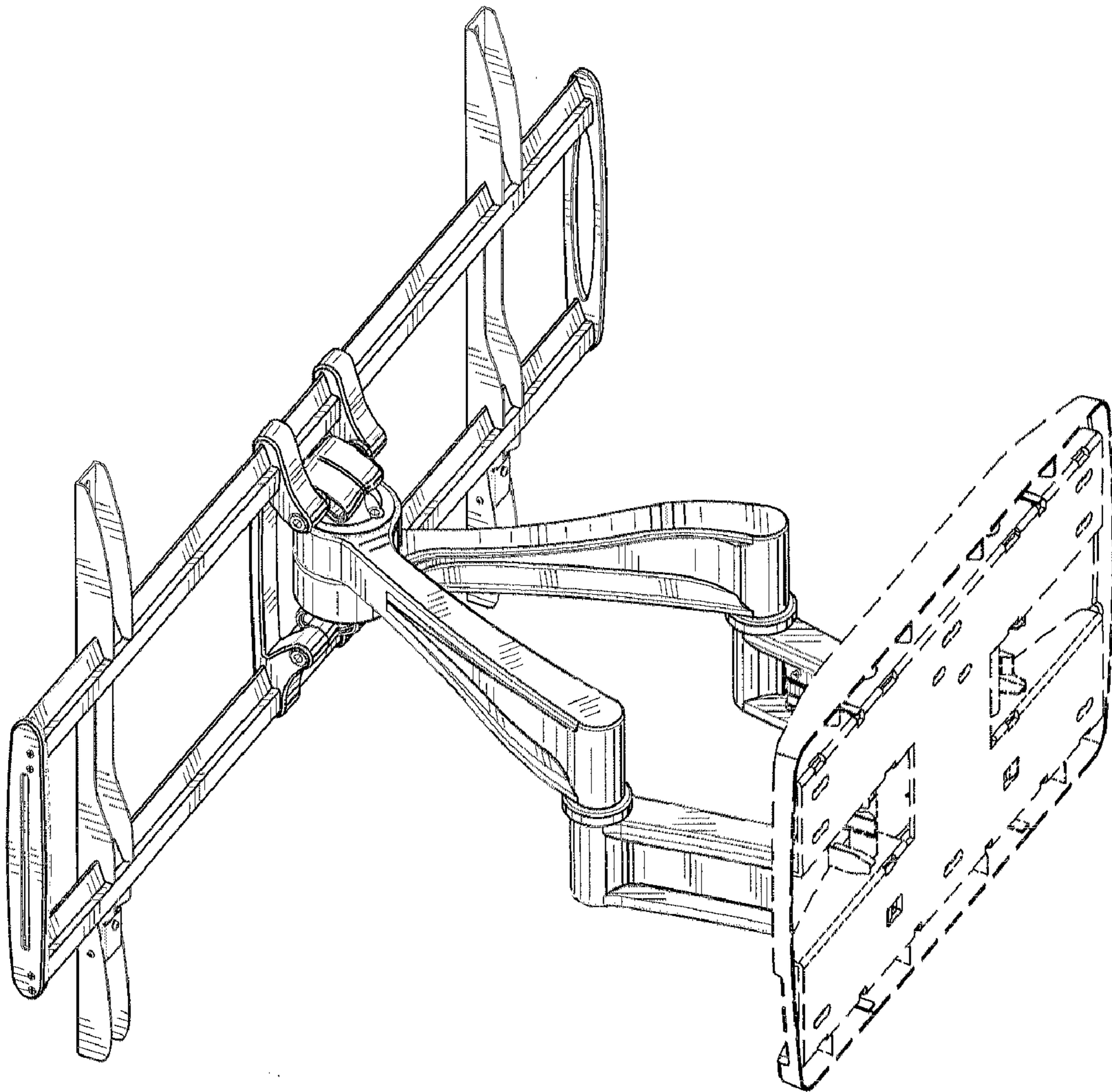
The ornamental design for monitor support, as shown and described.

DESCRIPTION

FIG. 1 is a perspective view of a monitor support showing my new design;
FIG. 2 is a front elevational view thereof;
FIG. 3 is a rear elevational view thereof;
FIG. 4 is a left side elevational view thereof;
FIG. 5 is a right side elevational view thereof;
FIG. 6 is a top plan view thereof; and,
FIG. 7 is a bottom plan view thereof.
The portions shown in dashed lines do not form part of the design.

1 Claim, 7 Drawing Sheets





F I G. 1

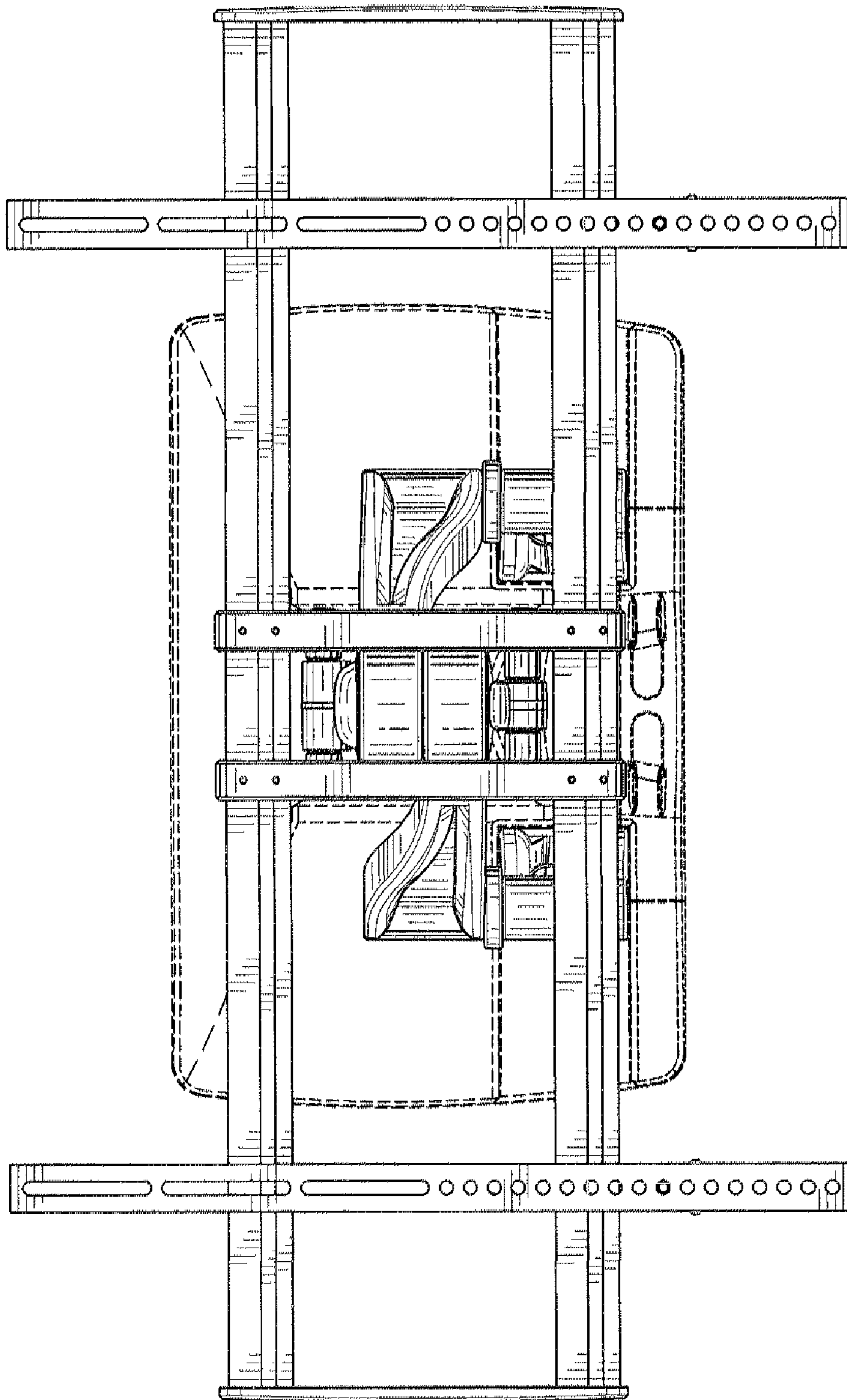


FIG. 2

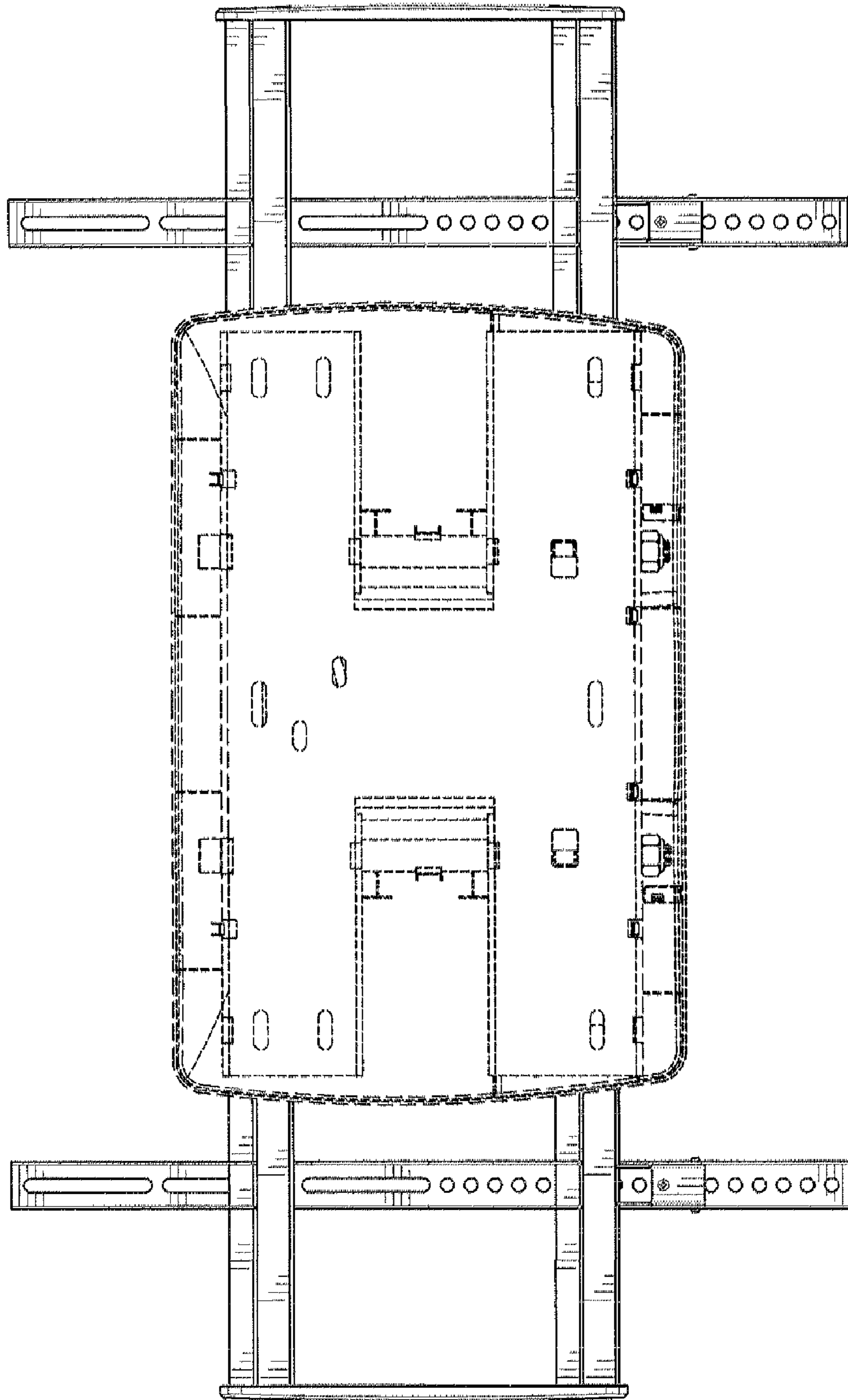


FIG. 3

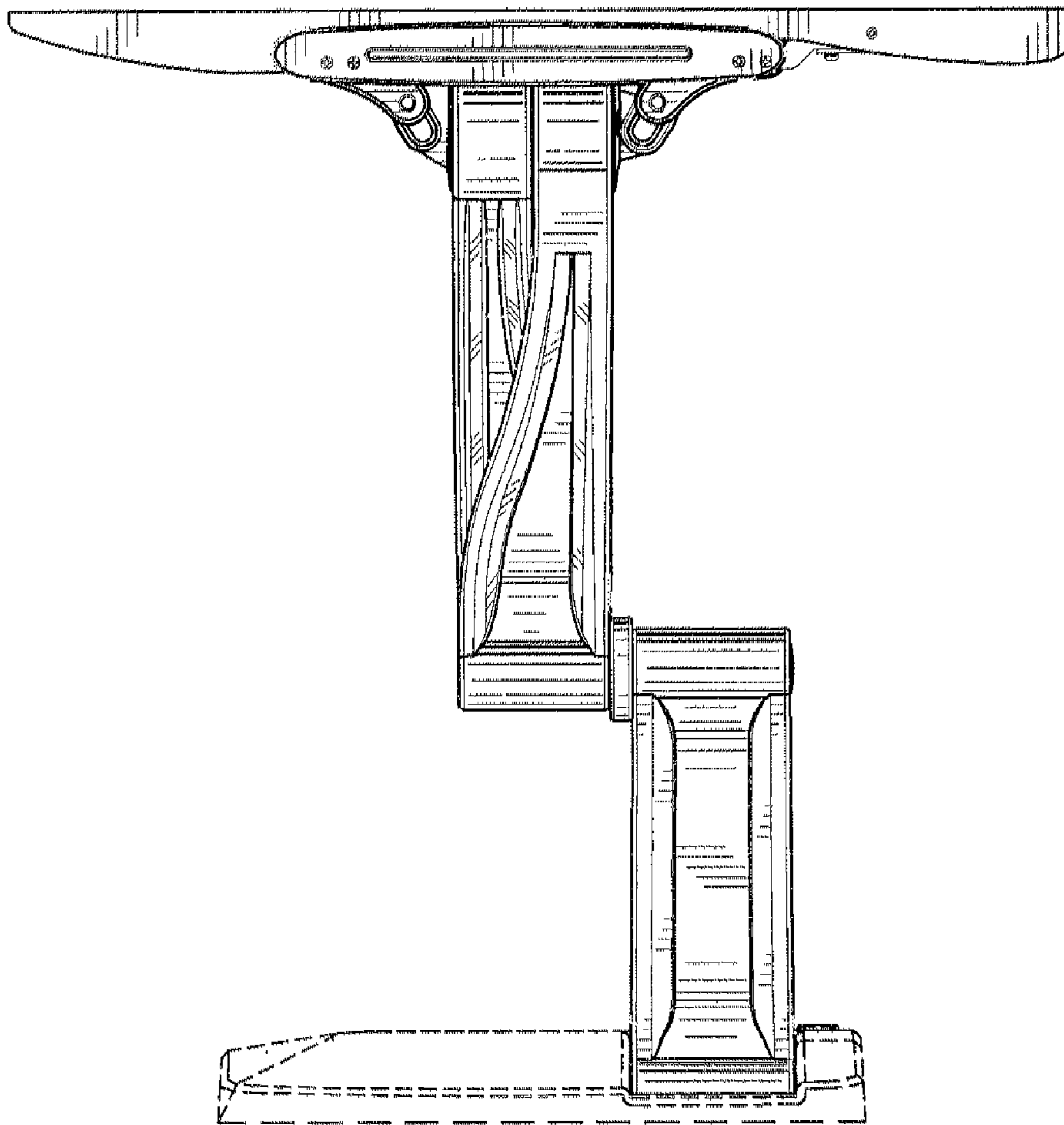


FIG. 4

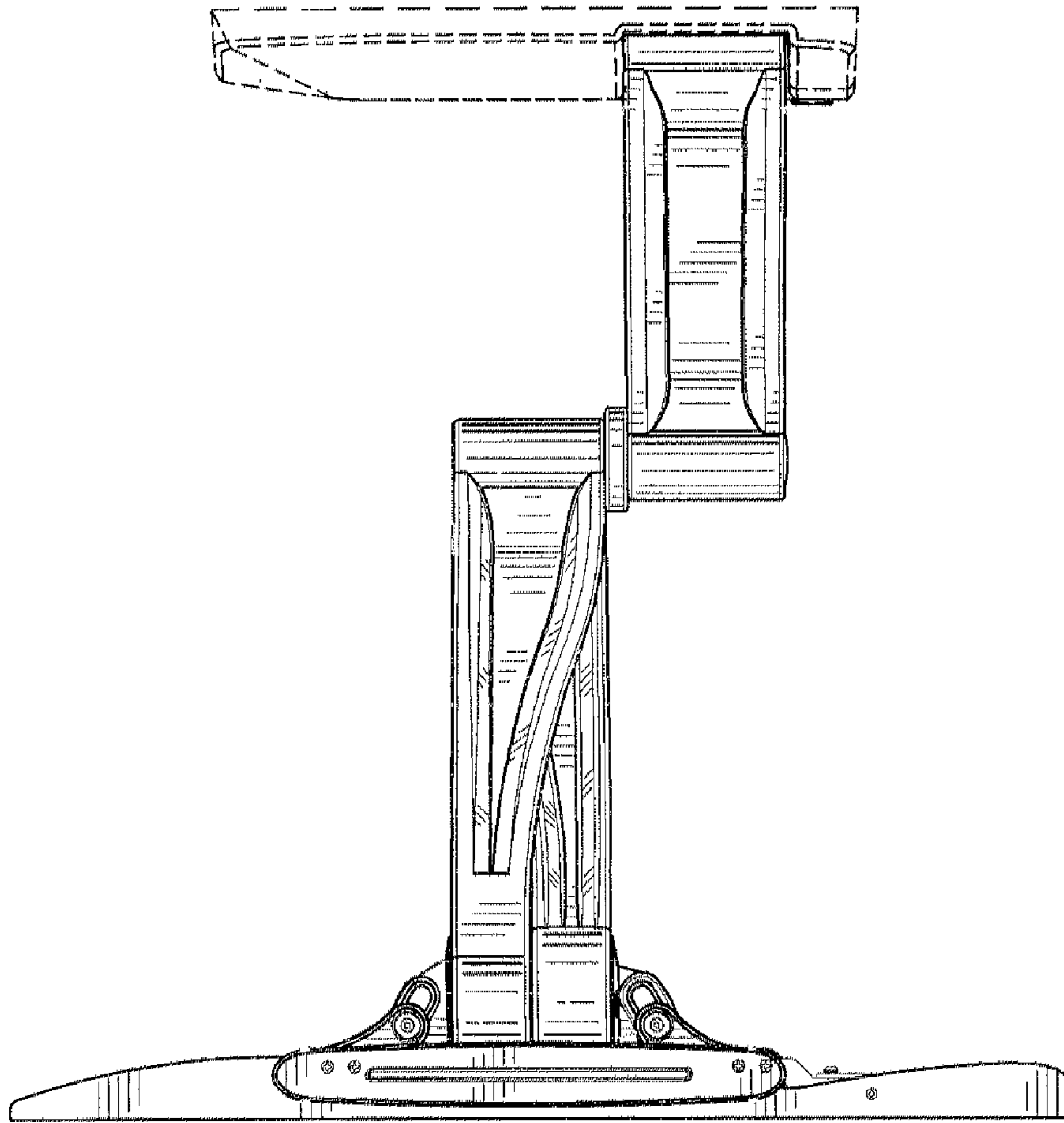


FIG. 5

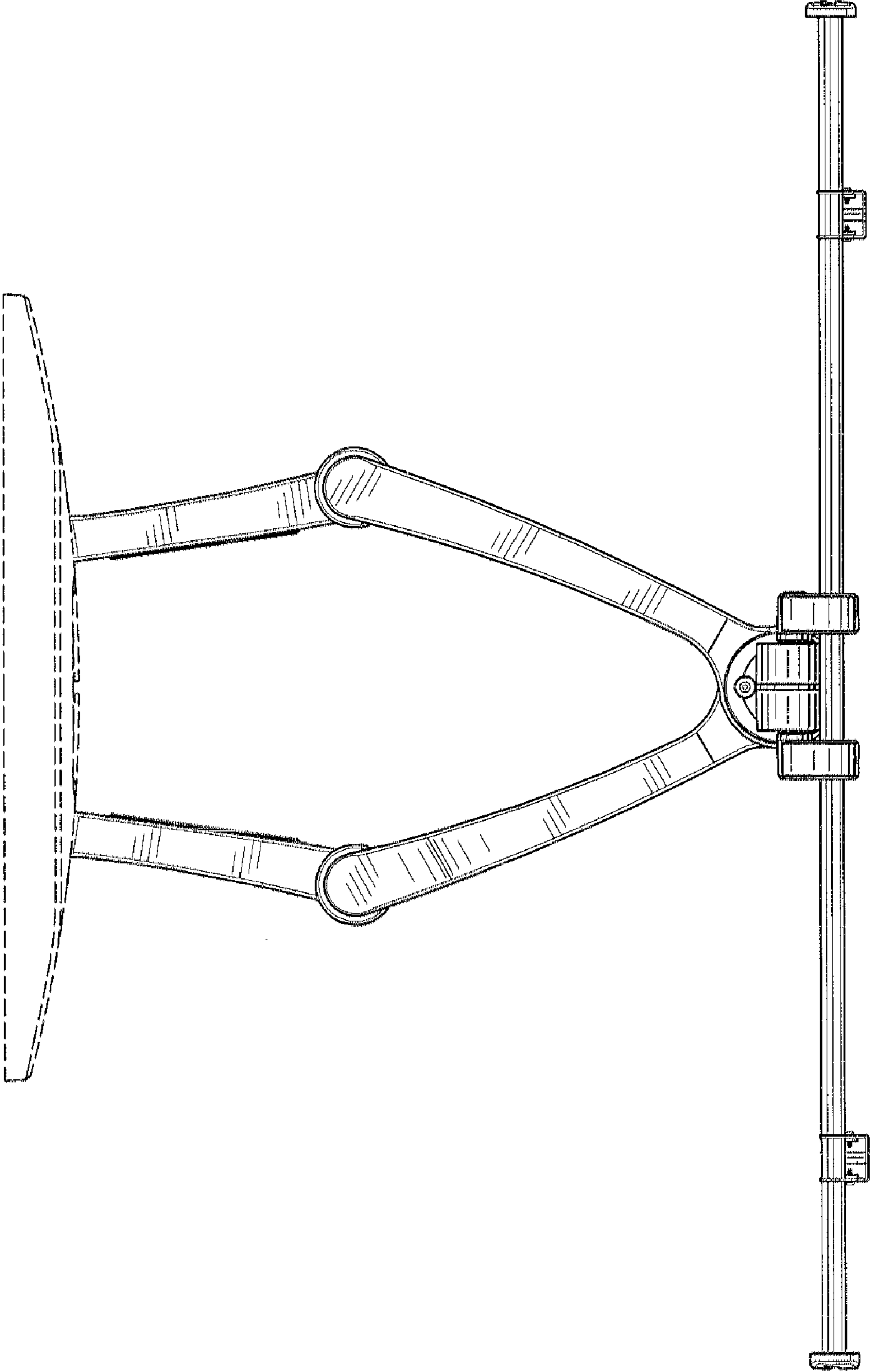


FIG. 6

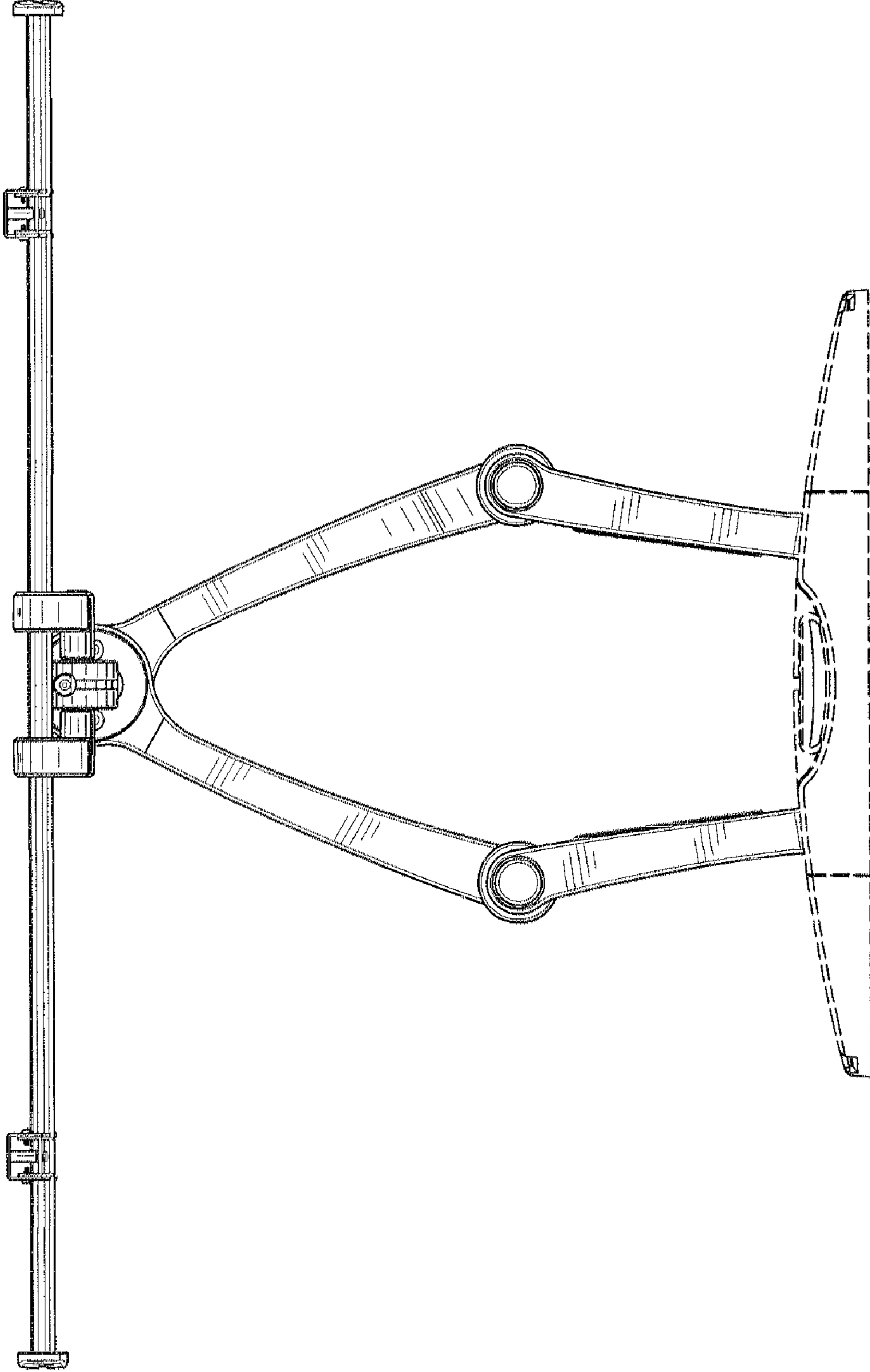


FIG. 7