

US00D666205S

(12) **United States Design Patent**  
**Li et al.**

(10) **Patent No.:** **US D666,205 S**  
(45) **Date of Patent:** **\*\* Aug. 28, 2012**

(54) **SUPPORTING BRACKET**

(75) Inventors: **Wu-Qi Li**, Shenzhen (CN); **Wu-Zhu Hu**, Shenzhen (CN); **Tang Li**, Shenzhen (CN)

(73) Assignee: **Hon Hai Precision Industry Co., Ltd.**, Tu-Cheng, New Taipei (TW)

(\*\*) Term: **14 Years**

(21) Appl. No.: **29/408,288**

(22) Filed: **Dec. 9, 2011**

(51) **LOC (9) Cl.** ..... **08-07**

(52) **U.S. Cl.** ..... **D14/452**

(58) **Field of Classification Search** ..... D14/447, D14/432, 434, 433, 439, 440, 448, 451, 452, D14/457, 400, 401, 239, 217, 238.1, 250, D14/251, 252, 253; D21/333, 324, 325, D21/328, 329, 330, 331, 332; D13/107, D13/108; D6/310, 311, 312, 406.3, 406.4, D6/406.5, 419, 566; D8/363, 373, 376, 380, D8/381; 248/917-924, 441.1, 447, 451, 248/459, 460, 462, 463, 121, 139, 151, 434, 248/170, 179.1, 177.1, 280.11, 309.3, 346.5; 361/679.02, 679.05, 679.06, 679.07, 679.09, 361/679.1, 679.21, 679.22, 679.23, 679.25, 361/679.26, 679.27, 679.3, 679.55, 679.56, 361/679.29, 679.28; 379/455, 454; 312/223.3

See application file for complete search history.

(56) **References Cited**

U.S. PATENT DOCUMENTS

D281,317 S *	11/1985	Whitaker	.....	D14/224
D565,938 S *	4/2008	Massoumi et al.	.....	D8/363
D576,633 S *	9/2008	Muday et al.	.....	D14/452
D592,188 S *	5/2009	Huang	.....	D14/217
D638,023 S *	5/2011	Skull et al.	.....	D14/452
D640,707 S *	6/2011	Yeh	.....	D14/447
D654,120 S *	2/2012	Lin	.....	D21/333

\* cited by examiner

*Primary Examiner* — Cynthia Ramirez

(74) *Attorney, Agent, or Firm* — Altis Law Group, Inc.

(57) **CLAIM**

The ornamental design for a supporting bracket, as shown and described.

**DESCRIPTION**

FIG. 1 is a perspective view of a supporting bracket showing my design in one state.

FIG. 2 is a front elevational view thereof.

FIG. 3 is a rear elevational view thereof.

FIG. 4 is a left-side elevational view thereof.

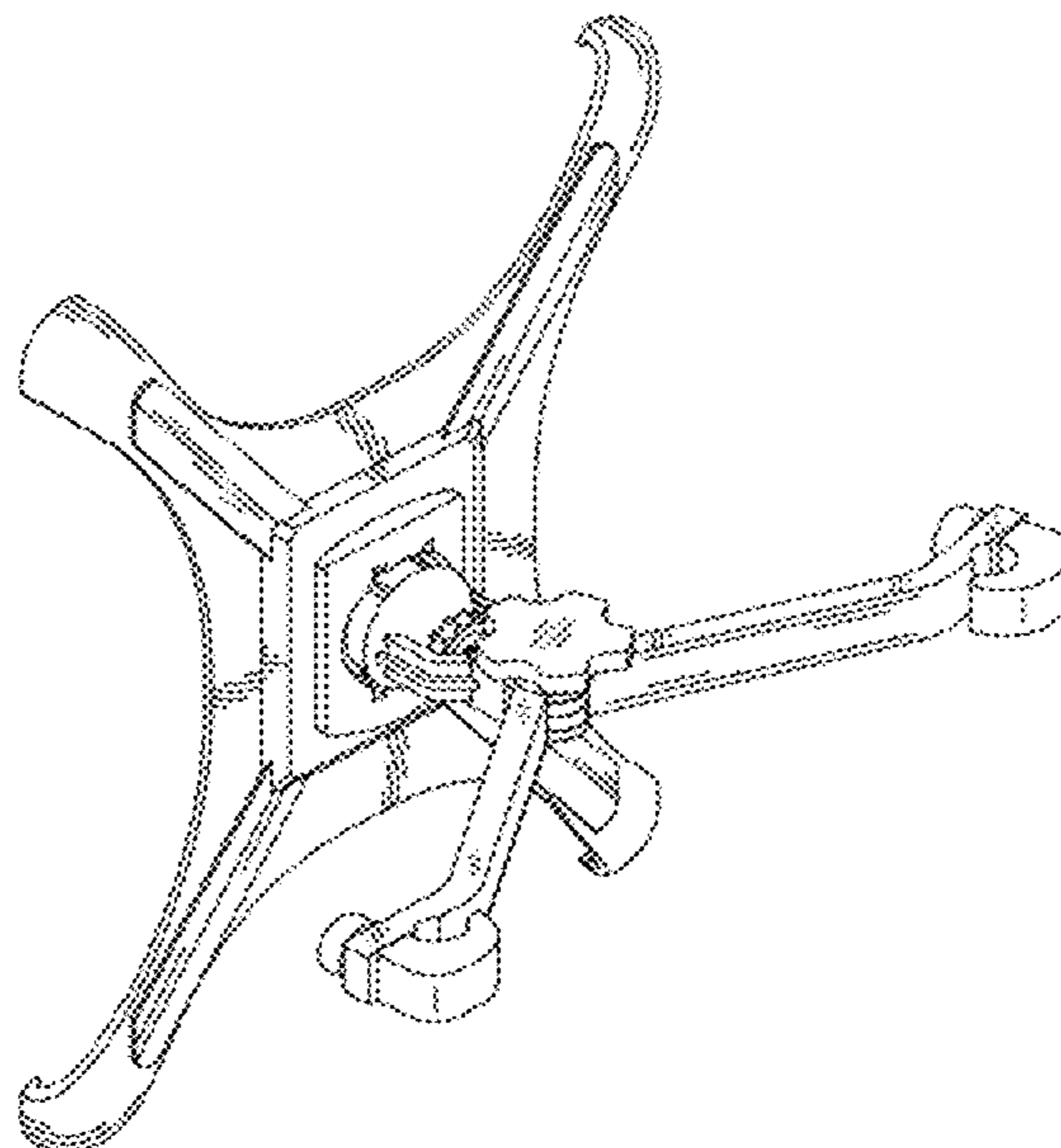
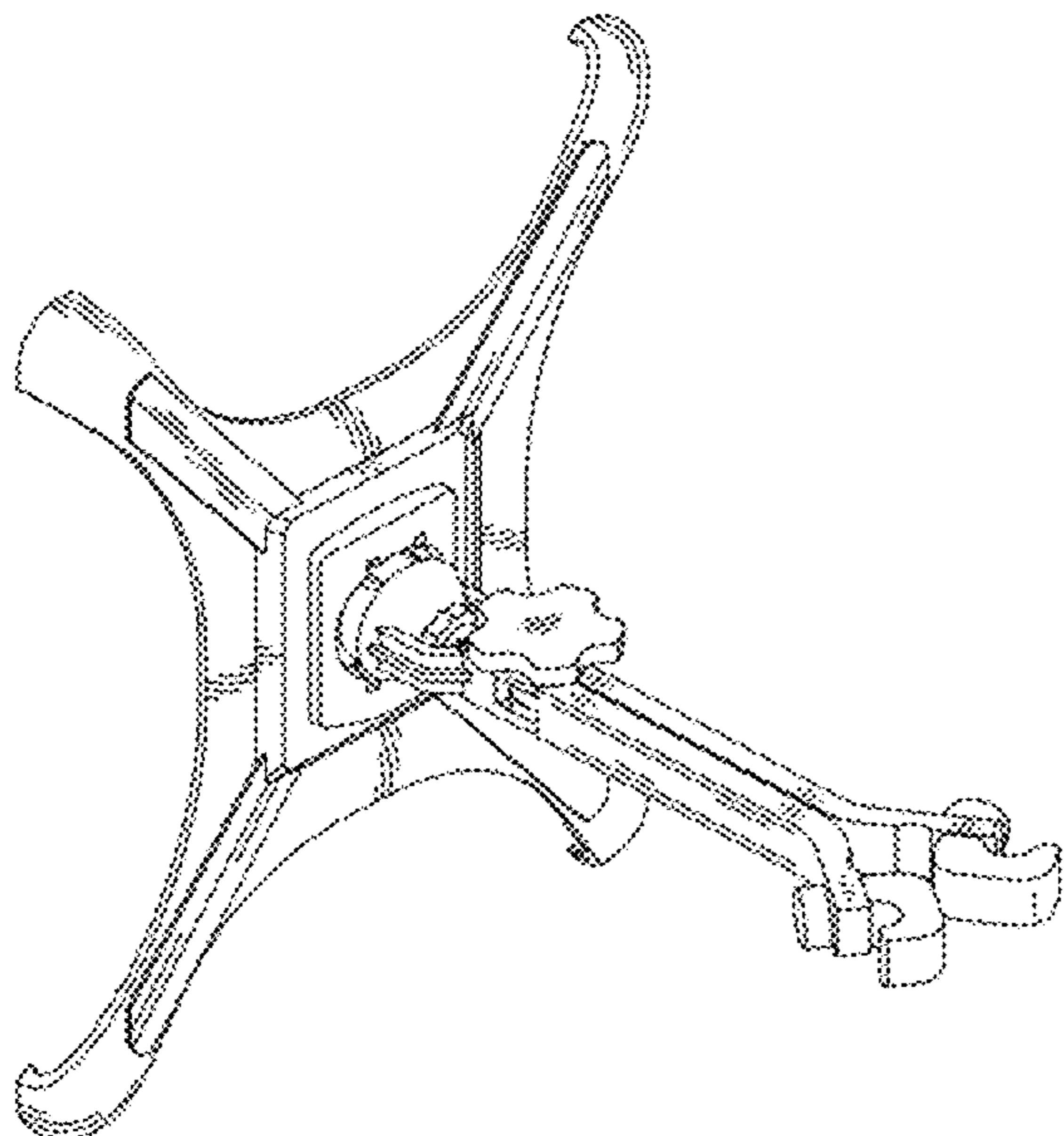
FIG. 5 is a right-side elevational view thereof.

FIG. 6 is a top plan view thereof.

FIG. 7 is a bottom plan view thereof; and,

FIG. 8 is a perspective view thereof shown in another state.

**1 Claim, 8 Drawing Sheets**



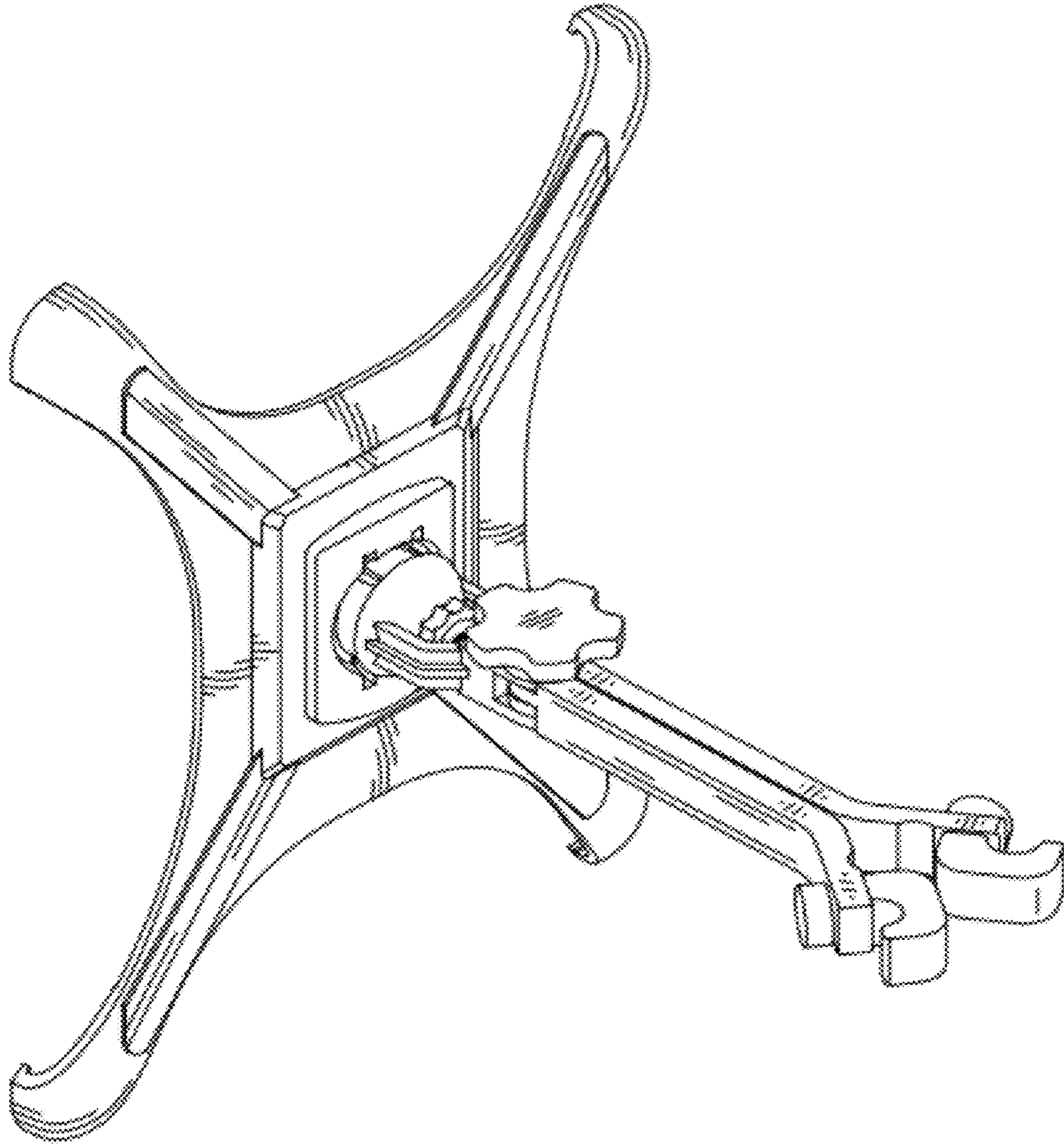


FIG. 1

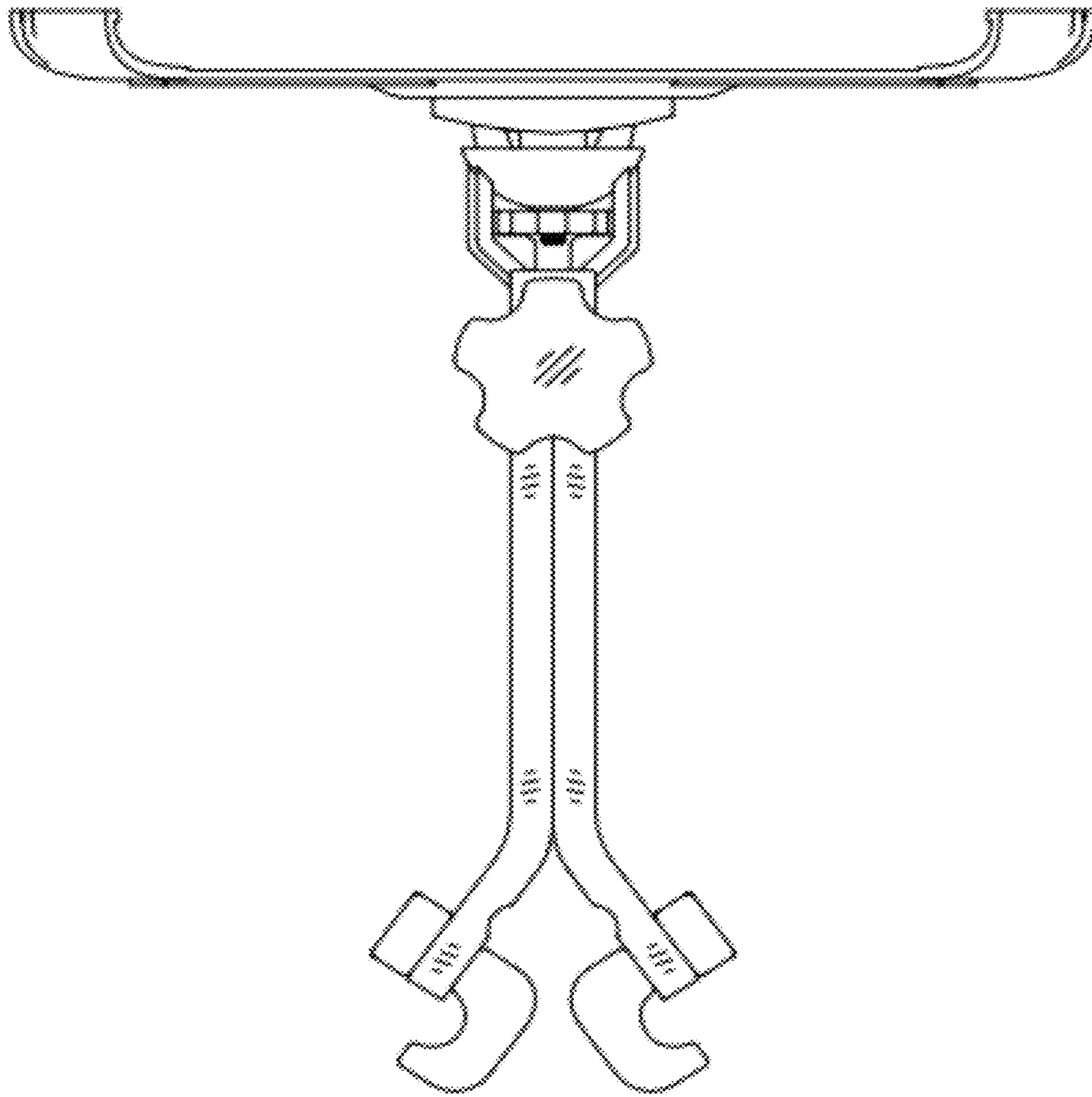


FIG. 2

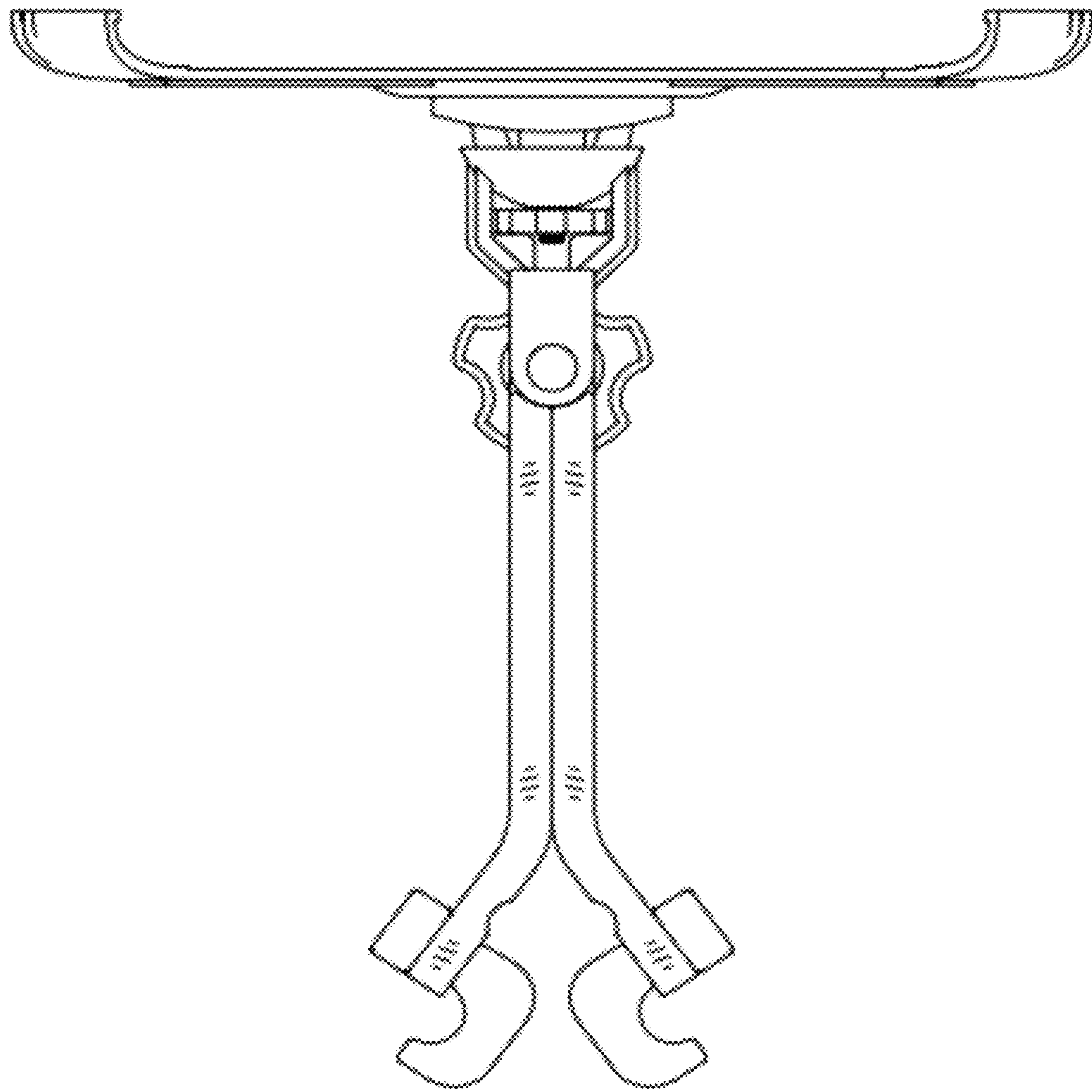


FIG. 3

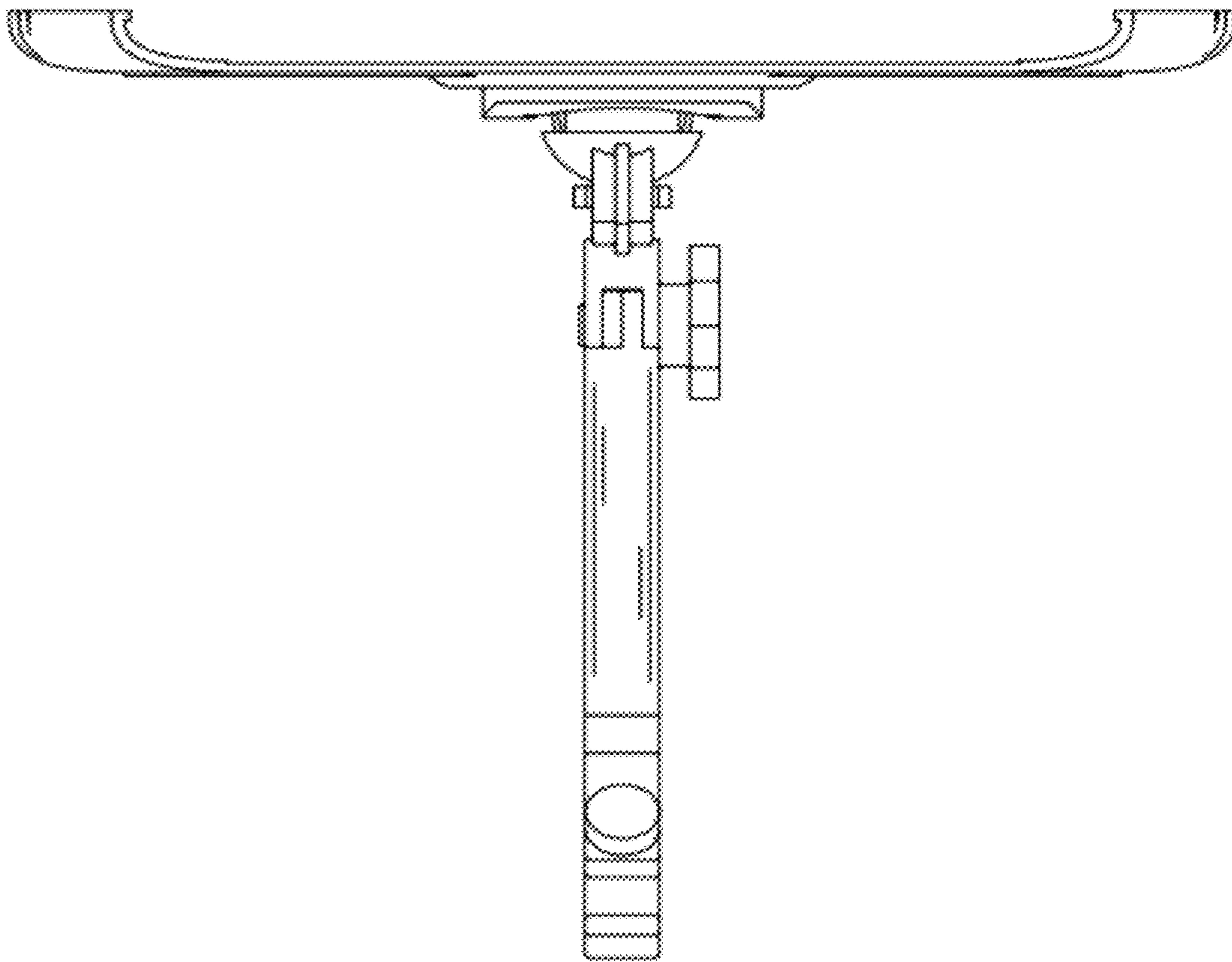


FIG. 4

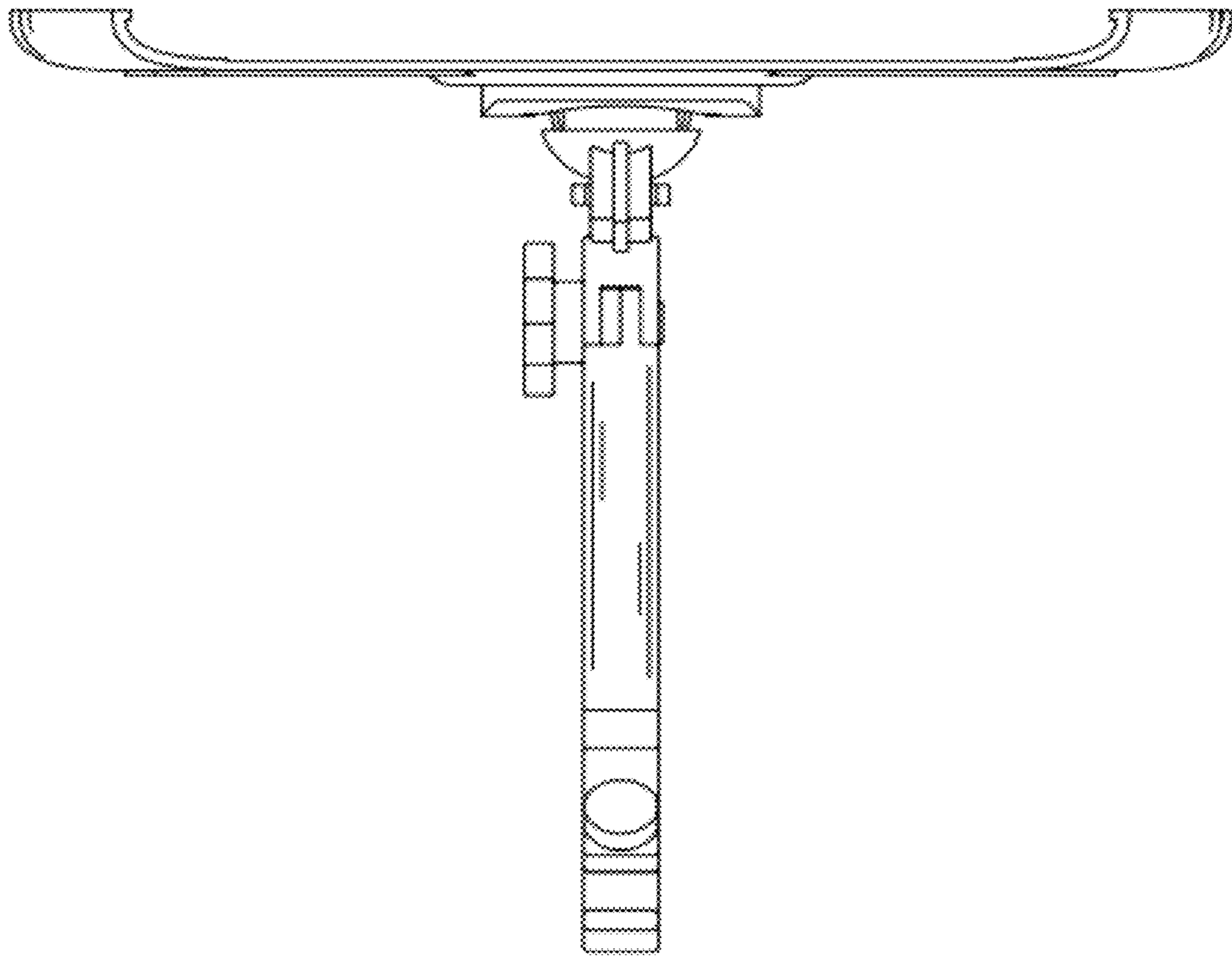


FIG. 5

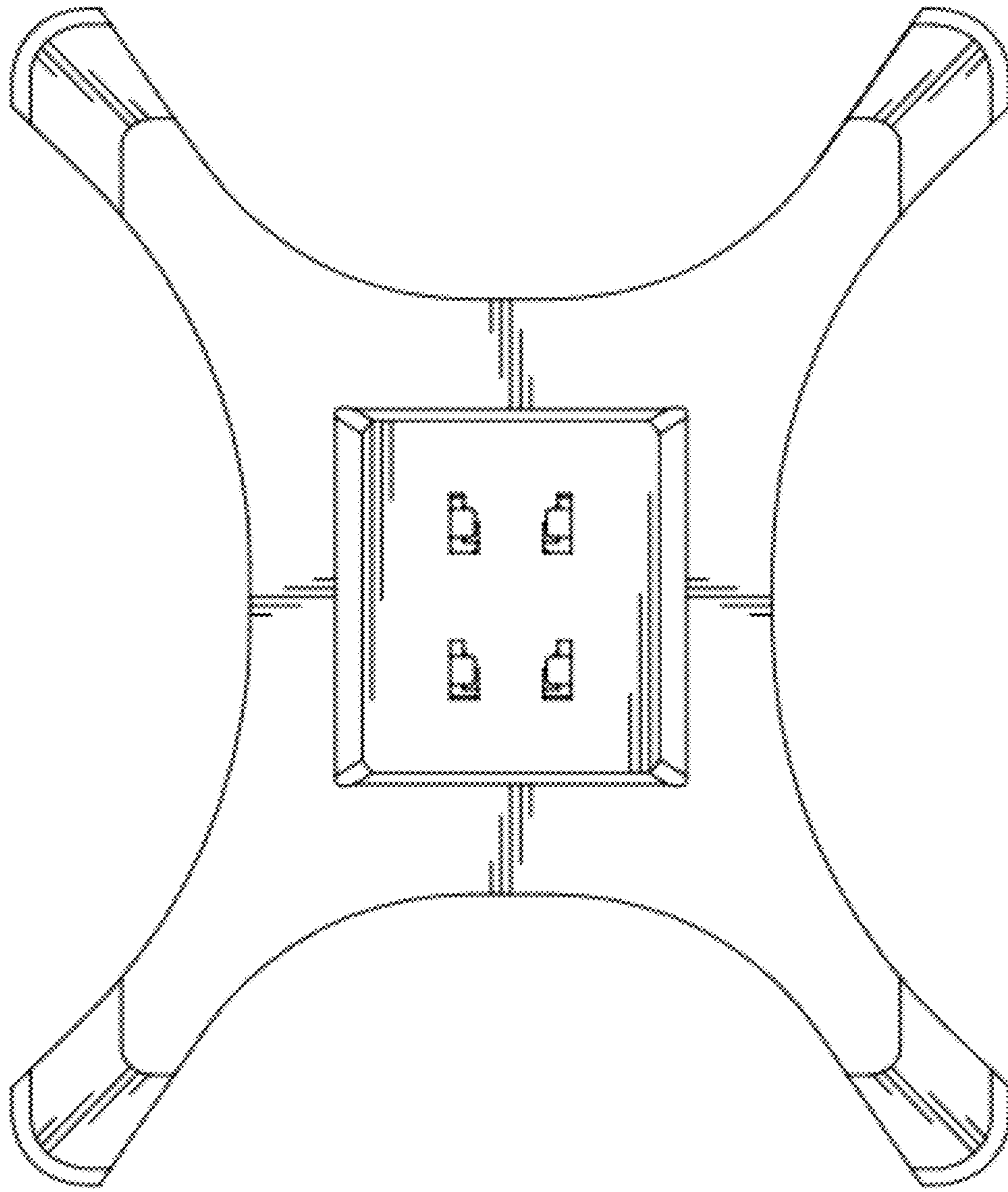


FIG. 6

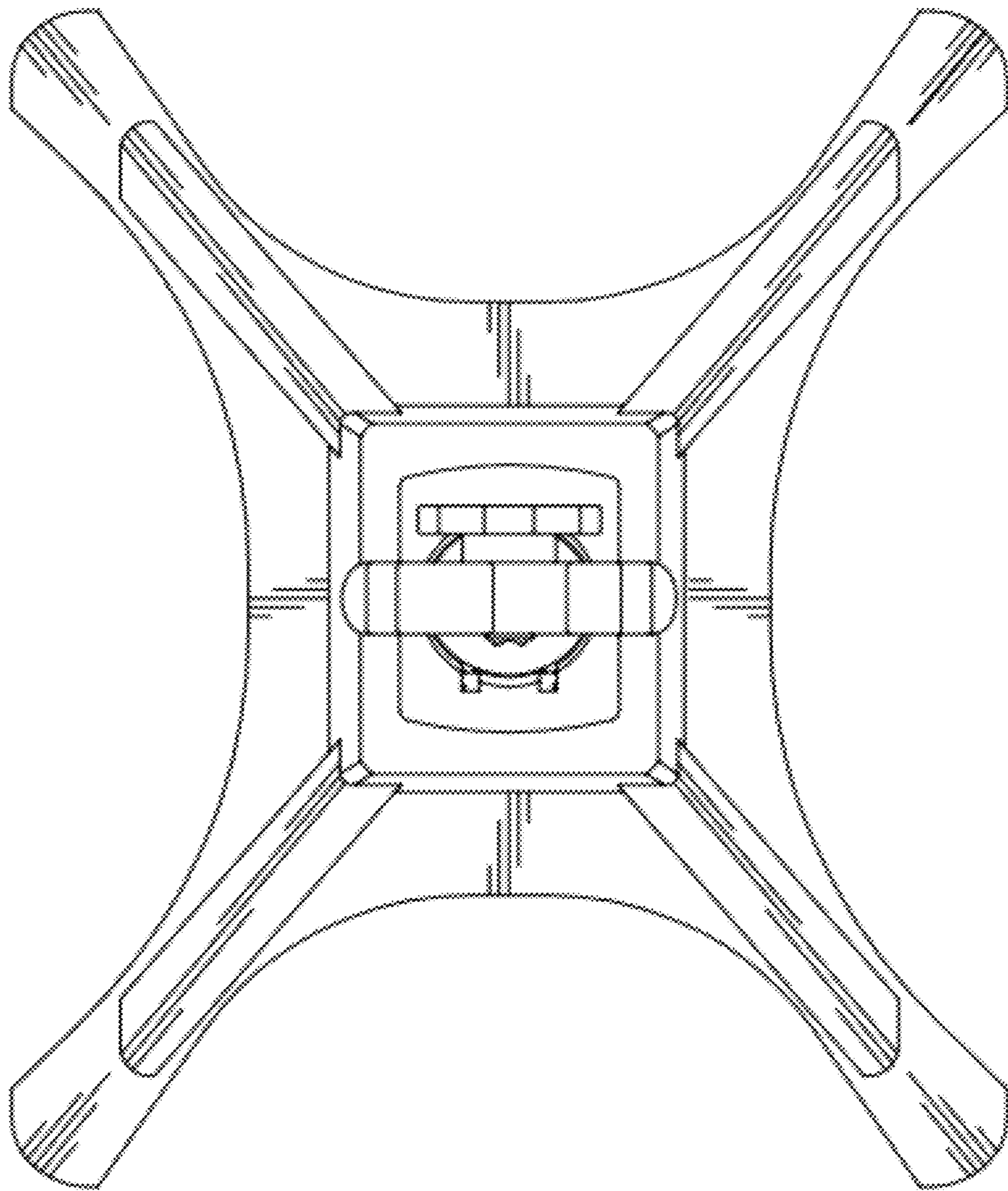


FIG. 7



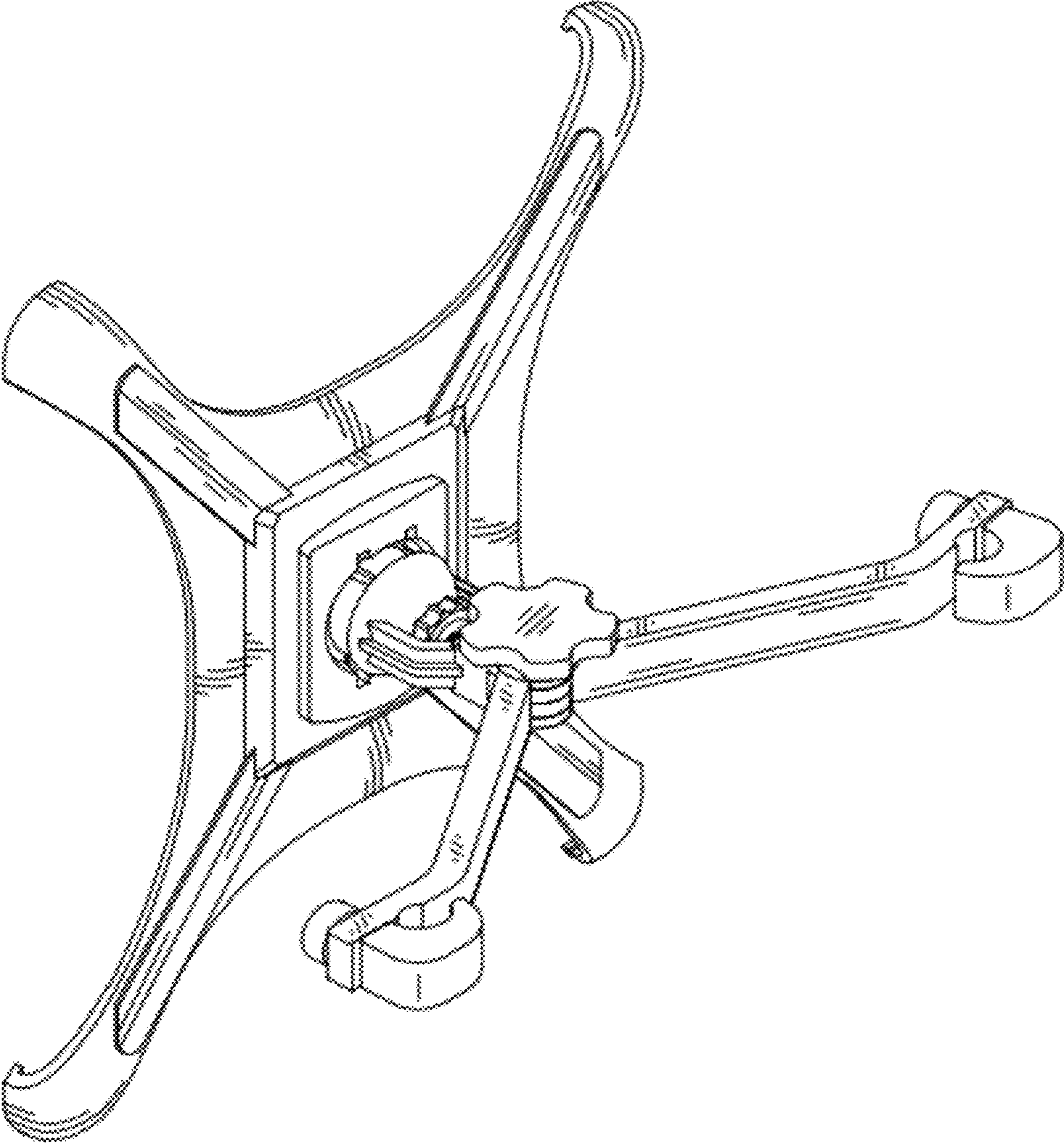


FIG. 8