



US00D666202S

(12) **United States Design Patent**
Dinh et al.

(10) **Patent No.:** **US D666,202 S**
(45) **Date of Patent:** **** Aug. 28, 2012**

(54) **HOUSING PLATE**

D622,718 S 8/2010 Andre et al.
(Continued)

(75) Inventors: **Richard Hung Minh Dinh**, San Jose, CA (US); **Richard P. Howarth**, San Francisco, CA (US); **Scott A. Myers**, San Francisco, CA (US); **David A. Pakula**, San Francisco, CA (US); **Tang Tan Yew**, Palo Alto, CA (US)

FOREIGN PATENT DOCUMENTS

TW D136926 9/2010
(Continued)

(73) Assignee: **Apple Inc.**, Cupertino, CA (US)

Search Report for Patent Application No. 099304750, ROC (Taiwan) Patent Office, completed on May 9, 2011, 1 page.

(**) Term: **14 Years**

(Continued)

(21) Appl. No.: **29/363,173**

Primary Examiner — Deanna L Fluegeman

(22) Filed: **Jun. 5, 2010**

(74) *Attorney, Agent, or Firm* — Sterne, Kessler, Goldstein & Fox PLLC

(51) **LOC (9) Cl.** **14-02**

(52) **U.S. Cl.** **D14/439**

(58) **Field of Classification Search** D14/341–347, D14/424, 425, 432–453, 464, 468, 469, 471, D14/496, 511, 138 AA, 138 AD, 138 C, 138 G, D14/203.1–203.8, 217, 238.1, 248, 250, 257, D14/299; 361/679.01, 679.02, 679.03, 679.3, 361/679.55, 679.56; 455/550.1, 556.1, 556.2, 455/575.1, 575.3–575.5, 575.8, 90.3
See application file for complete search history.

(57) **CLAIM**

The ornamental design for a housing plate, as shown and described.

DESCRIPTION

Examples of a device that may be used with the present invention may be found in U.S. application Ser. Nos. 29/360, 031, 29/360,036, and 29/360,110.

FIG. 1 is a bottom rear perspective view of a housing plate showing our new design;

FIG. 2 is a top rear perspective view thereof;

FIG. 3 is a bottom front view thereof;

FIG. 4 is a top front view thereof;

FIG. 5 is a rear thereof;

FIG. 6 is a front view thereof;

FIG. 7 is a bottom view thereof;

FIG. 8 is a top view thereof;

FIG. 9 is a left side view thereof; and,

FIG. 10 is a right side view thereof.

The shade lines in the Figures show contour and not surface ornamentation.

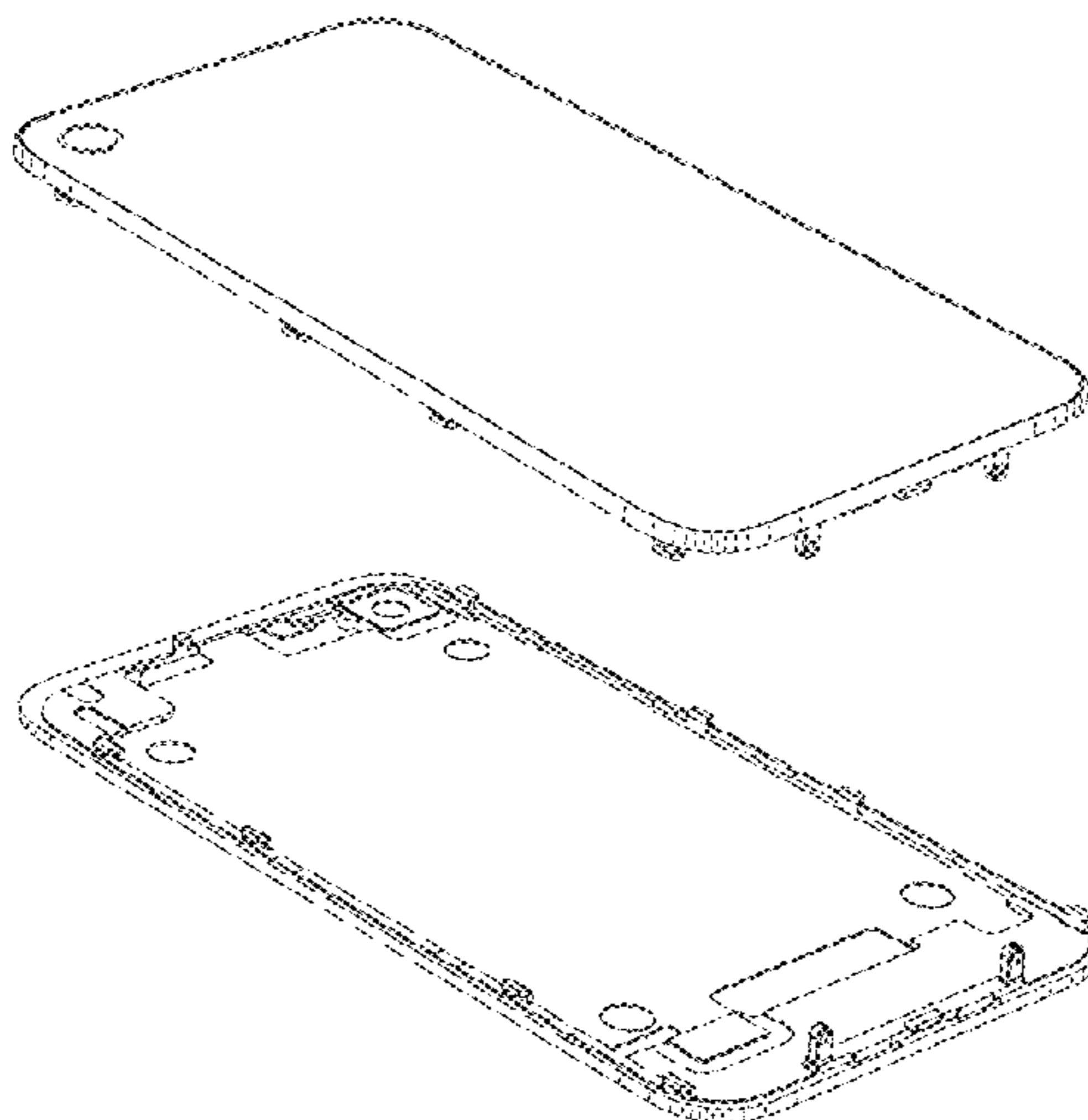
The broken lines in the Figures show portions of the housing plate which form no part of the claimed design.

(56) **References Cited**

U.S. PATENT DOCUMENTS

6,900,388 B2 *	5/2005	Wang et al.	174/359
D513,617 S *	1/2006	Tierney	D14/496
7,303,424 B2	12/2007	Tu et al.	
D558,756 S	1/2008	Andre et al.	
D558,758 S	1/2008	Andre et al.	
D574,819 S	8/2008	Andre et al.	
D580,387 S	11/2008	Andre et al.	
D599,342 S	9/2009	Andre et al.	
D602,014 S	10/2009	Andre et al.	
D602,015 S	10/2009	Andre et al.	
D602,017 S	10/2009	Andre et al.	
D602,486 S	10/2009	Andre et al.	
7,660,560 B2	2/2010	Zuo et al.	
D617,792 S	6/2010	Andre et al.	
D619,361 S	7/2010	Andre et al.	
D622,270 S	8/2010	Andre et al.	

1 Claim, 8 Drawing Sheets



US D666,202 S

Page 2

U.S. PATENT DOCUMENTS

D622,719 S 8/2010 Andre et al.
D624,304 S * 9/2010 Danze et al. D3/201
D624,536 S 9/2010 Andre et al.
D629,387 S * 12/2010 Lee D14/203.7
D629,787 S * 12/2010 Lee D14/203.7
D629,788 S * 12/2010 Lee D14/203.7
D633,493 S * 3/2011 Akana et al. D14/341
D636,392 S * 4/2011 Akana et al. D14/341
D638,835 S * 5/2011 Akana et al. D14/341
D639,805 S * 6/2011 Song et al. D14/341
D640,646 S * 6/2011 Wu et al. D14/125
8,014,135 B2 * 9/2011 Yu 361/679.01
D647,519 S * 10/2011 Rothbaum et al. D14/250
D649,539 S * 11/2011 Hong D14/250
D652,015 S * 1/2012 Han D14/138 AA
8,102,319 B2 * 1/2012 Schlub et al. 343/702
D653,640 S * 2/2012 Kwon et al. D14/138 G
2006/0139856 A1 * 6/2006 Liu et al. 361/600
2006/0281501 A1 * 12/2006 Zuo et al. 455/575.1
2007/0082718 A1 4/2007 Yoon et al.
2008/0316121 A1 12/2008 Hobson et al.
2009/0067141 A1 3/2009 Dabov et al.
2011/0151945 A1 * 6/2011 Jiang et al. 455/575.1
2011/0255218 A1 * 10/2011 Pakula et al. 361/679.01
2012/0002352 A1 * 1/2012 Hsiung 361/679.01
2012/0009974 A1 * 1/2012 Sunderland 455/550.1

2012/0073115 A1 * 3/2012 Filson et al. 29/592.1
2012/0086648 A1 * 4/2012 Leung 345/173
2012/0087066 A1 * 4/2012 Leggett 361/679.01

FOREIGN PATENT DOCUMENTS

TW D137773 11/2010

OTHER PUBLICATIONS

U.S. Appl. No. 29/284,308, Andre et al., "Electronic Device", filed Sep. 5, 2007.
U.S. Appl. No. 29/284,310, Andre et al., "Electronic Device", filed Sep. 5, 2007.
U.S. Appl. No. 29/284,312, Andre et al., "Electronic Device", filed Sep. 5, 2007.
U.S. Appl. No. 29/324,262, Andre et al., "Electronic Device", filed Sep. 9, 2008.
U.S. Appl. No. 29/360,036, Akana et al., "Electronic Device", filed Apr. 19, 2010.
U.S. Appl. No. 29/360,110, Akana et al., "Electronic Device", filed Apr. 20, 2010.
U.S. Appl. No. 29/363,172, Akana et al., "Electronic Device", filed Jun. 5, 2010.
U.S. Appl. No. 29/363,167, Akana et al., "Electronic Device", filed Jun. 5, 2010.
U.S. Appl. No. 29/363,575, Andre et al., "Electronic Device", filed Jun. 11, 2010.

* cited by examiner

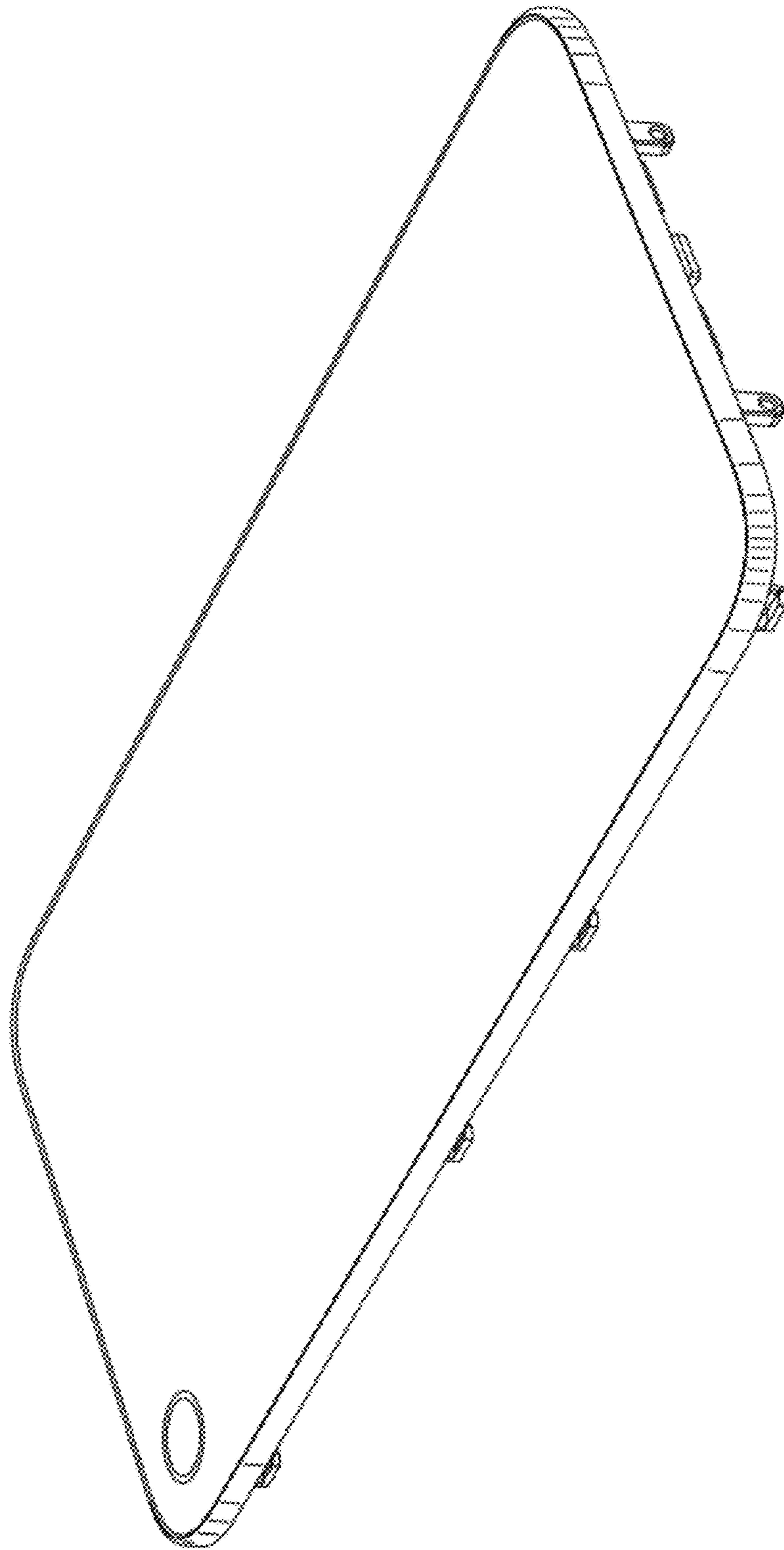


FIG. 1

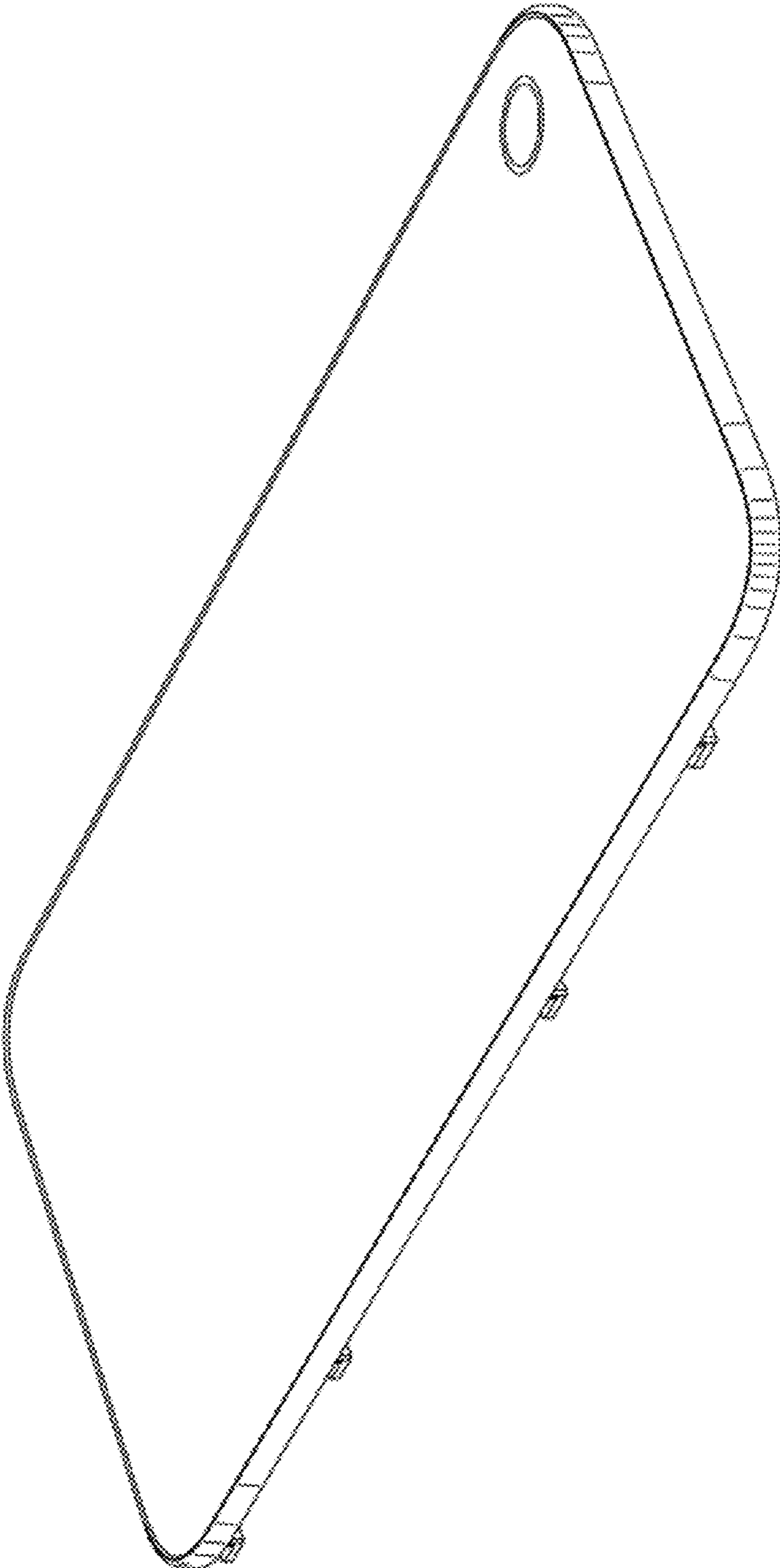


FIG. 2

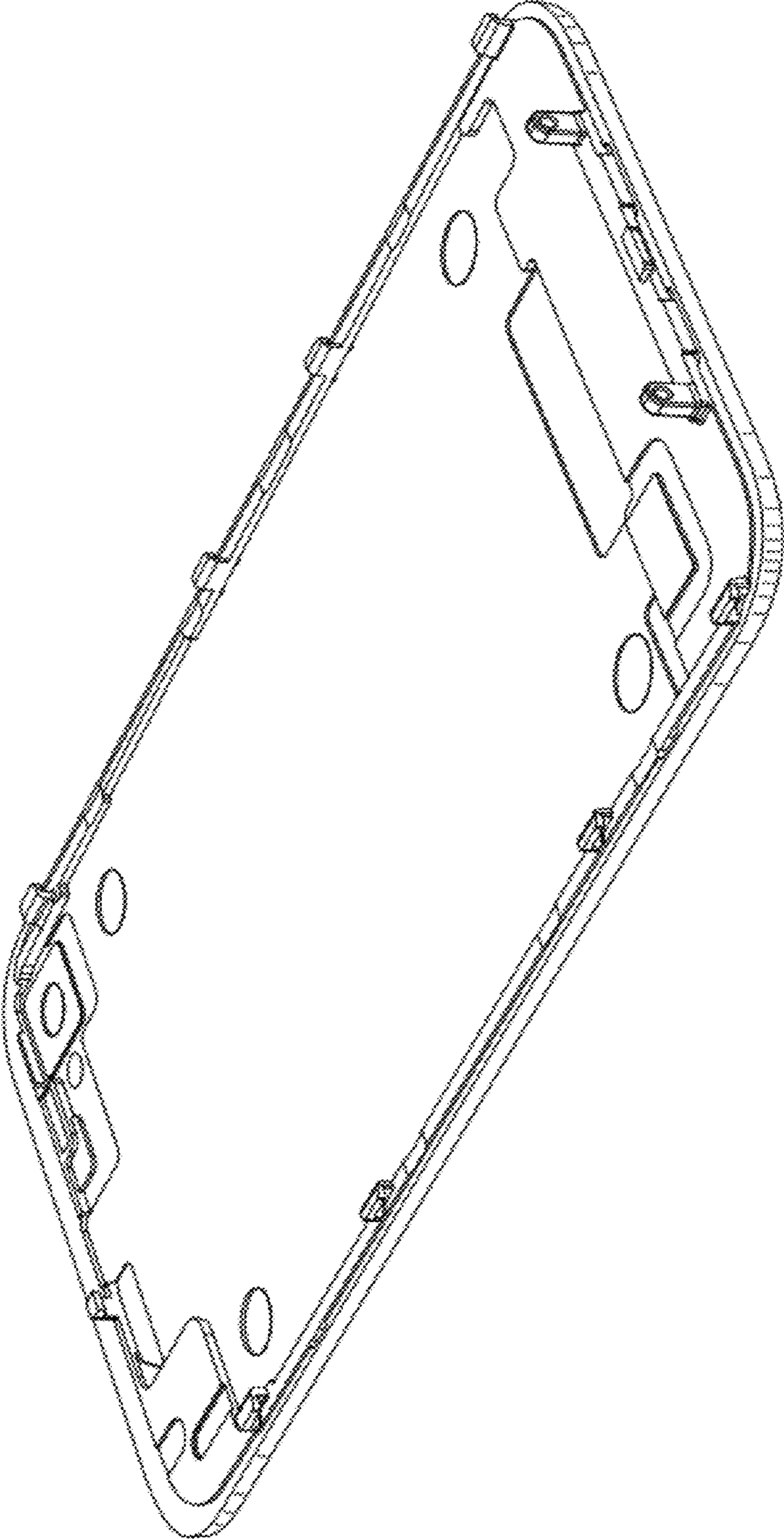


FIG. 3

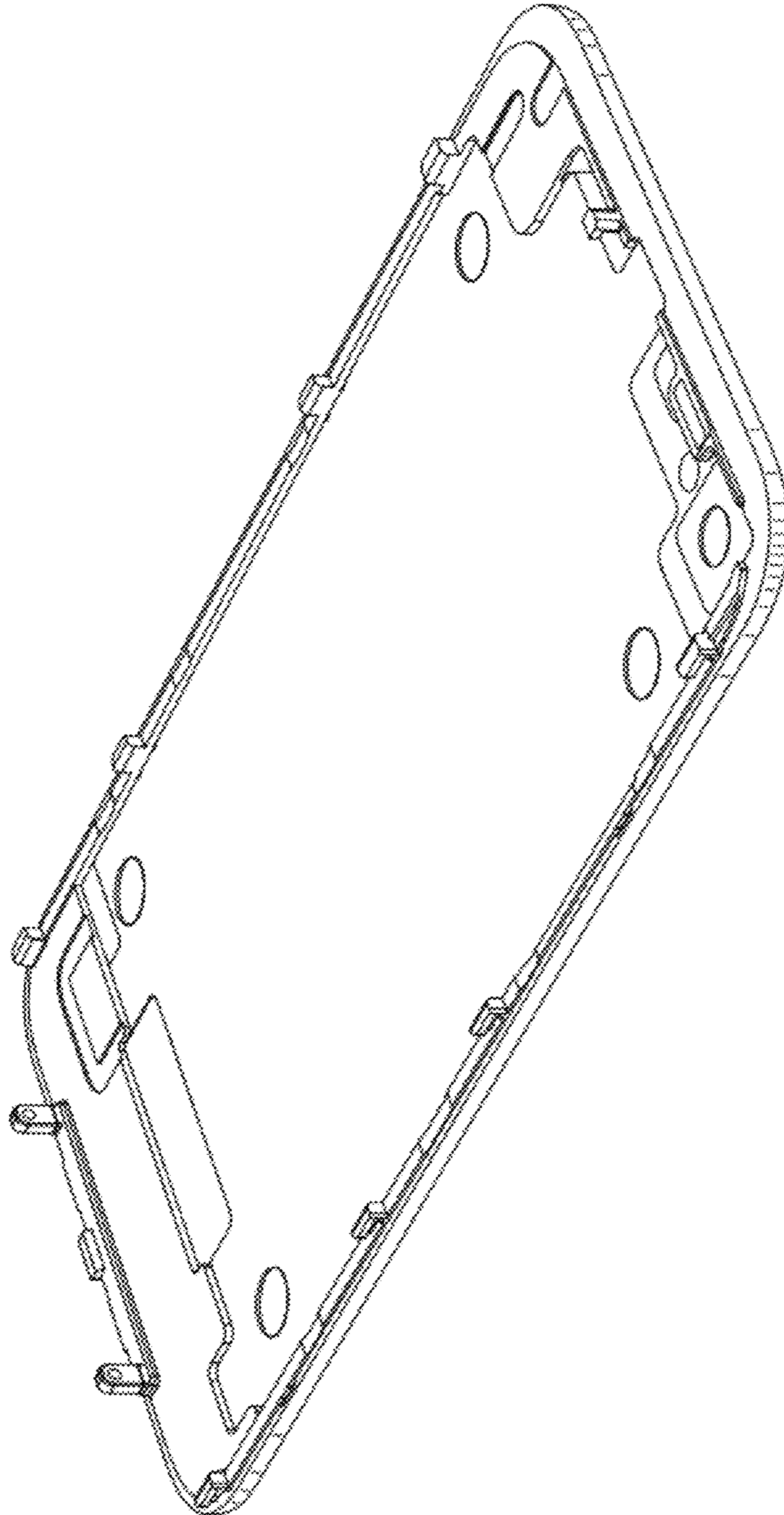


FIG. 4

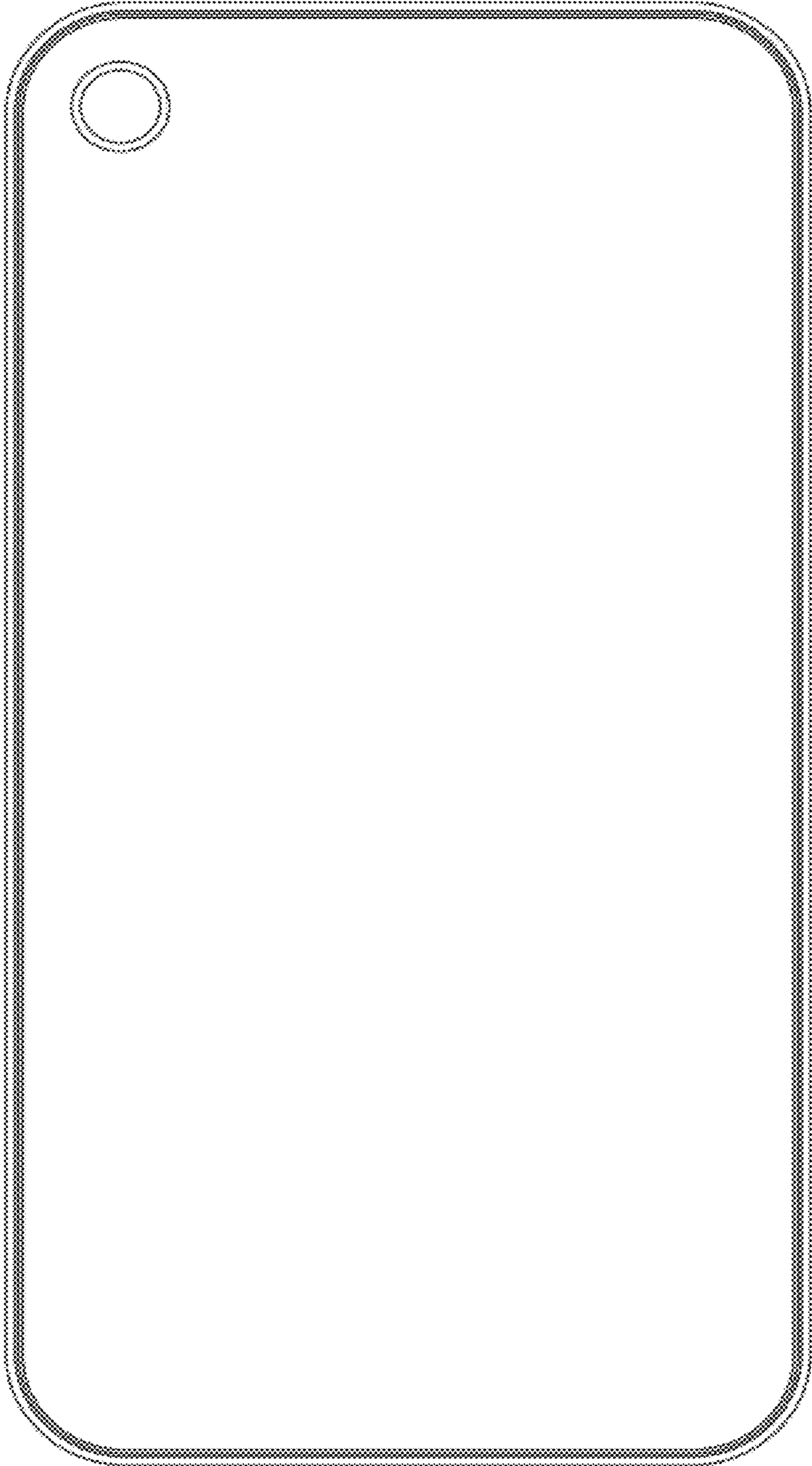


FIG. 5

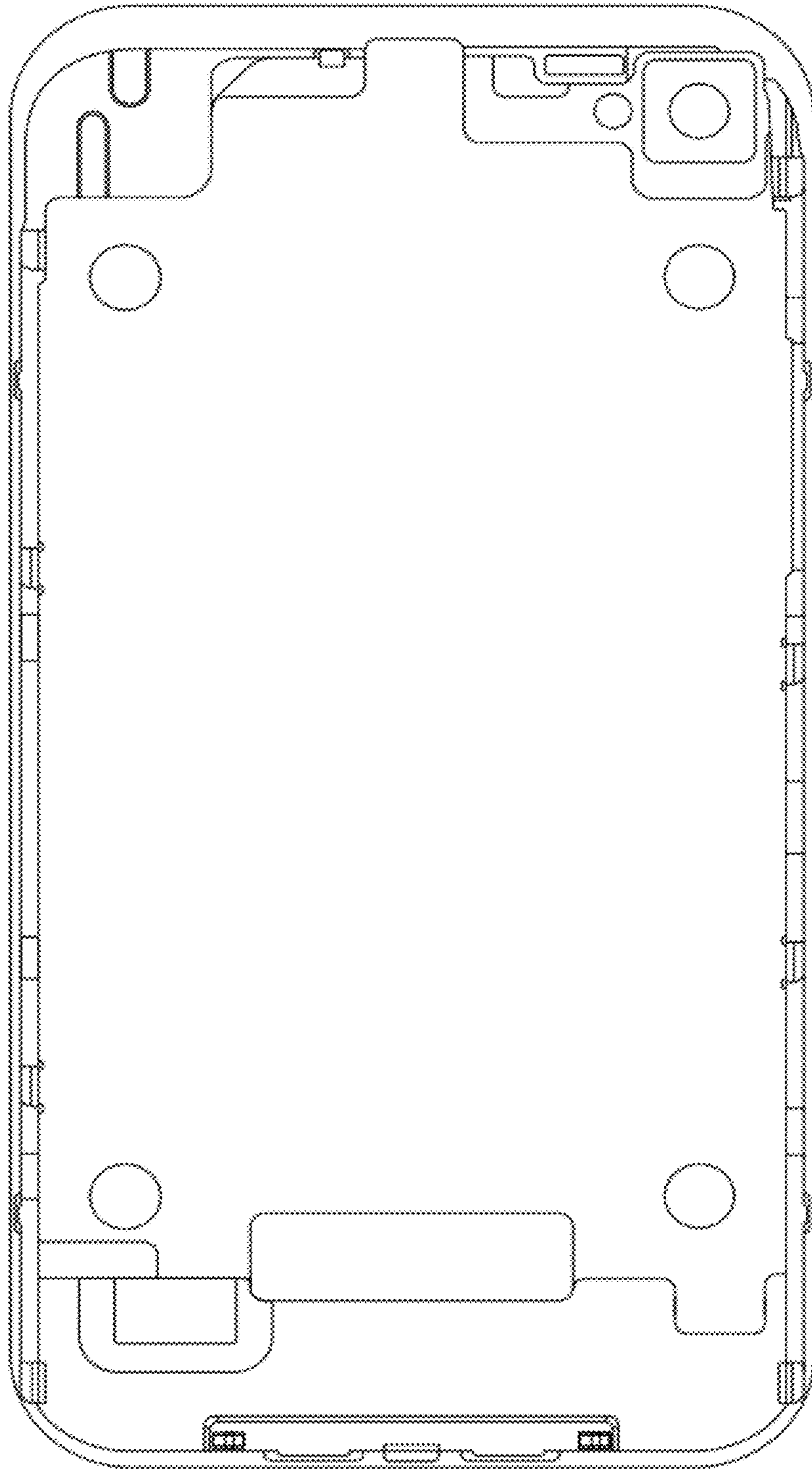


FIG. 6



FIG. 7

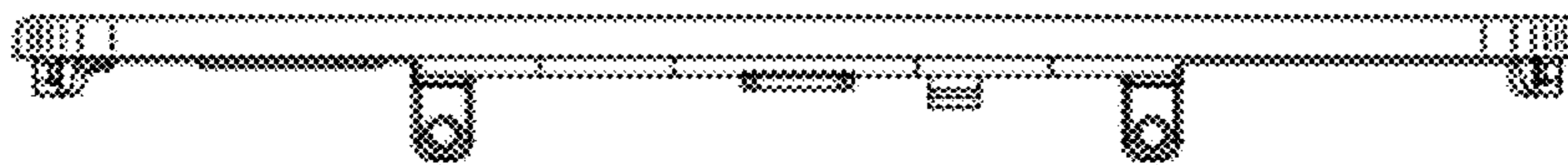


FIG. 8



FIG. 9



FIG. 10