



US00D666200S

(12) **United States Design Patent**  
**Tien**

(10) **Patent No.:** **US D666,200 S**

(45) **Date of Patent:** **\*\* Aug. 28, 2012**

(54) **DOCKING STATION**

(75) Inventor: **Li-Wen Tien**, New Taipei (TW)

(73) Assignee: **Hon Hai Precision Industry Co., Ltd.**,  
Tu-Cheng, New Taipei (TW)

(\*\*) Term: **14 Years**

(21) Appl. No.: **29/402,209**

(22) Filed: **Sep. 21, 2011**

(51) **LOC (9) Cl.** ..... **14-02**

(52) **U.S. Cl.** ..... **D14/434**

(58) **Field of Classification Search** ..... D14/432-434,  
D14/314, 204, 420, 421, 447, 217, 358; D13/107,  
D13/108, 146; D8/373; 248/346.03, 176.1;  
361/679.41, 679.31, 679.32, 679.4, 679.43,  
361/679.55, 679.33; 320/109, 112-115;  
710/15, 303; 455/557

See application file for complete search history.

(56) **References Cited**

U.S. PATENT DOCUMENTS

D416,536 S \* 11/1999 Ross et al. .... D13/107  
D479,240 S \* 9/2003 Bradley ..... D14/434  
D643,430 S \* 8/2011 Nuovo et al. .... D14/434

\* cited by examiner

*Primary Examiner* — Freda S Nunn

(74) *Attorney, Agent, or Firm* — Altis Law Group, Inc.

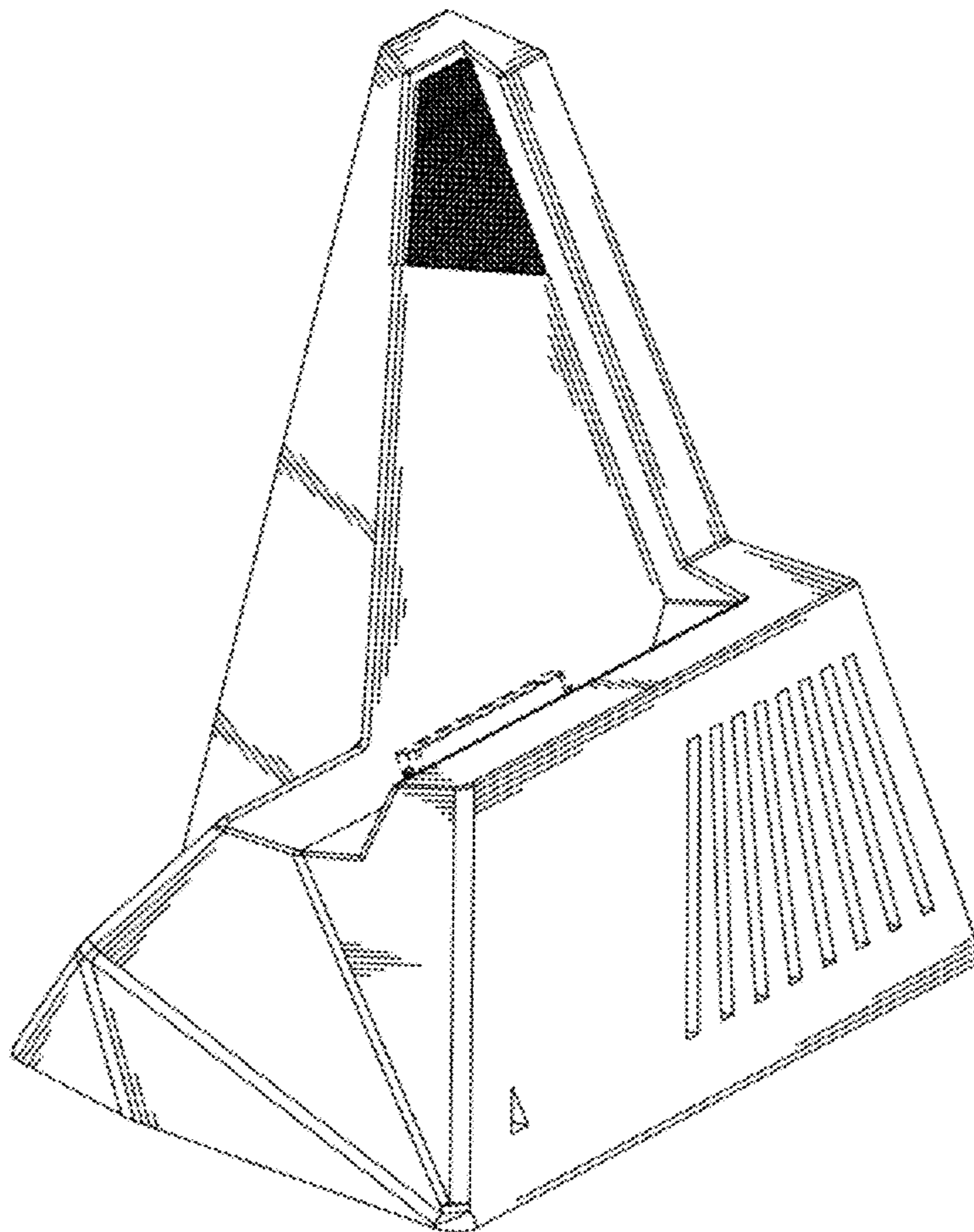
(57) **CLAIM**

The ornamental design for a docking station, as shown and described.

**DESCRIPTION**

FIG. 1 is a perspective view of a docking station showing my new design;  
FIG. 2 is a front elevational view thereof;  
FIG. 3 is a rear elevational view thereof;  
FIG. 4 is a left side elevational view thereof;  
FIG. 5 is a right side elevational view thereof;  
FIG. 6 is a top plan view thereof; and,  
FIG. 7 is a bottom plan view thereof.  
The broken lines of the figures are for the purpose of illustrating environment and form no part of the claimed design.

**1 Claim, 7 Drawing Sheets**



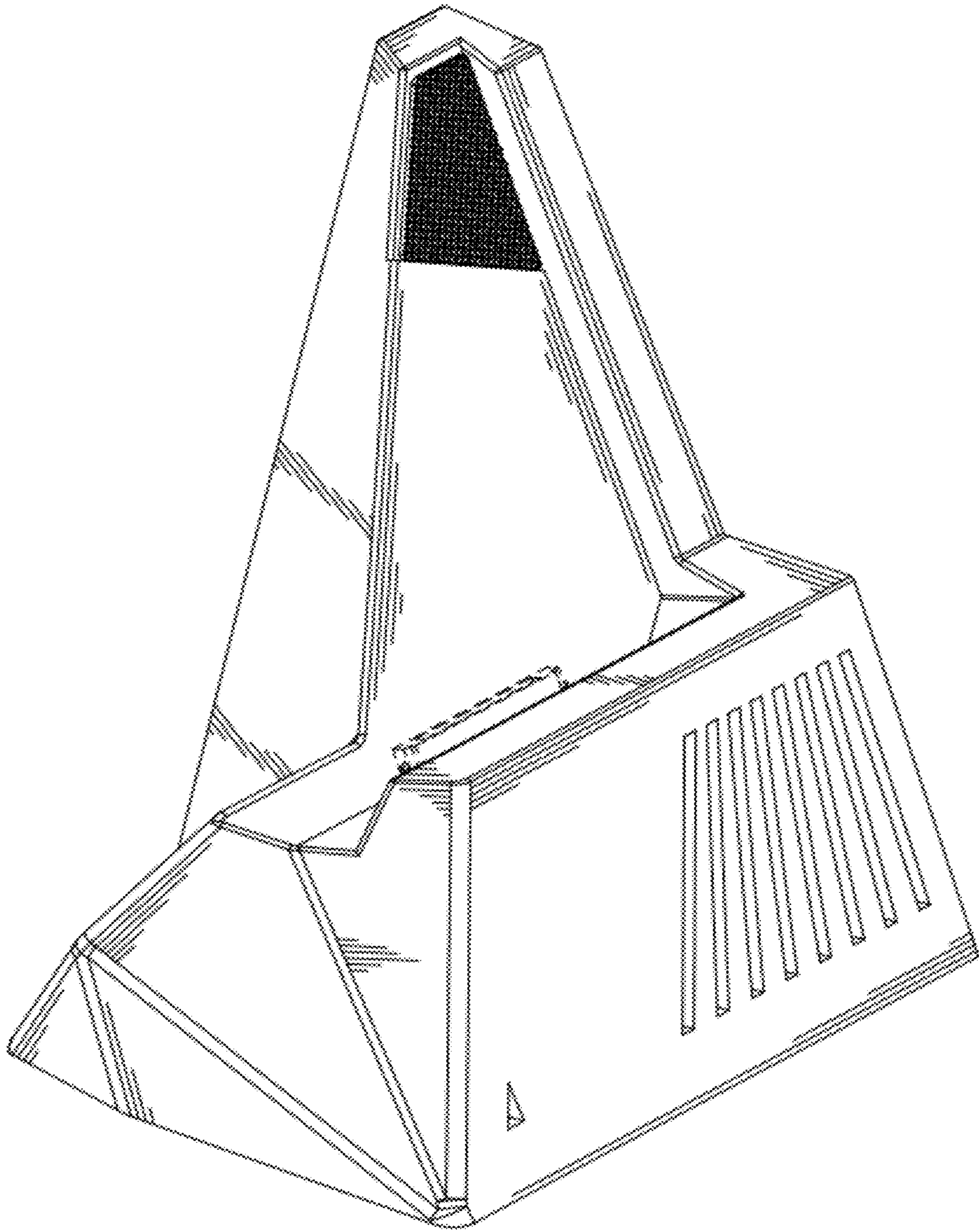


FIG. 1

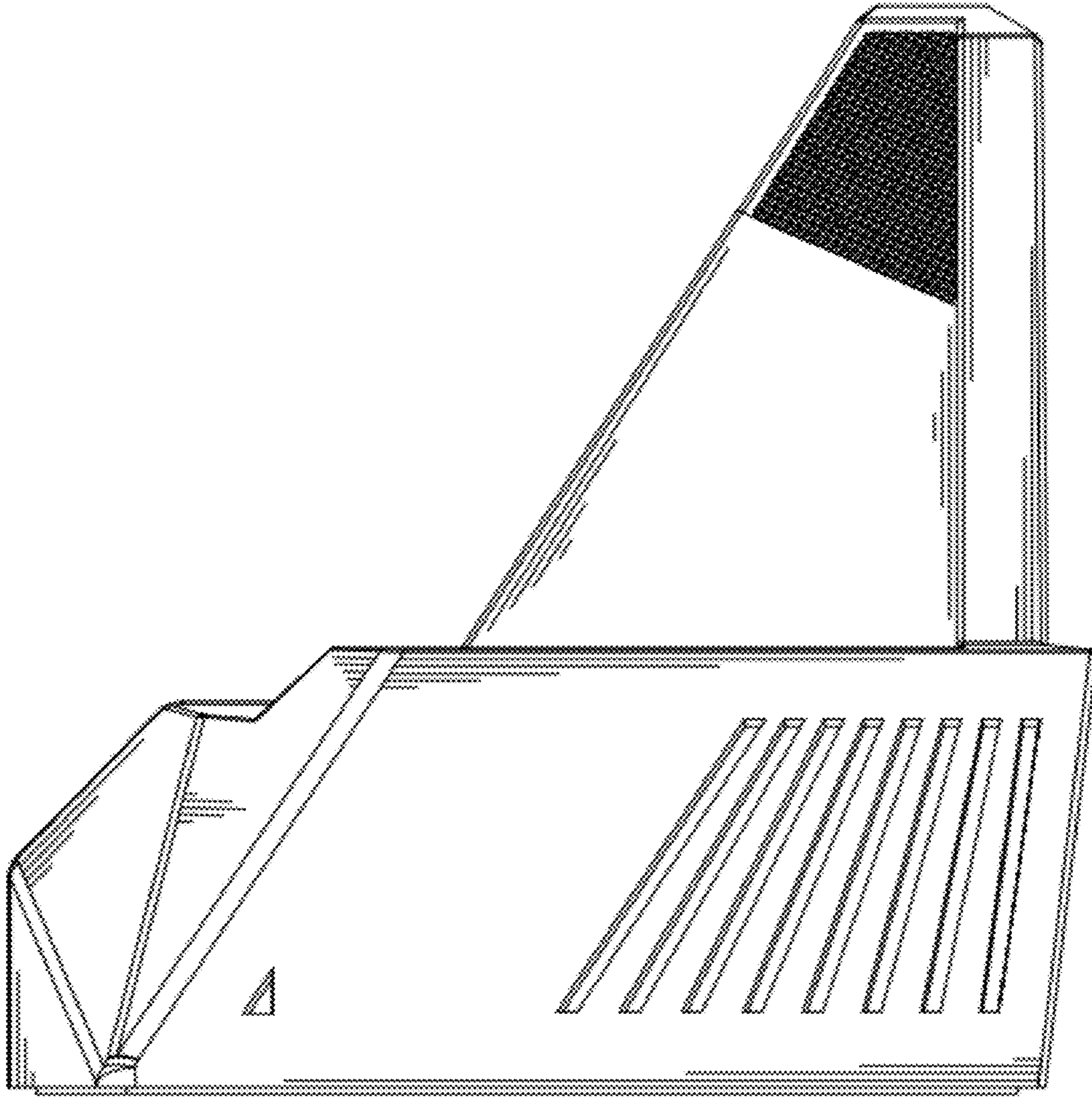


FIG. 2

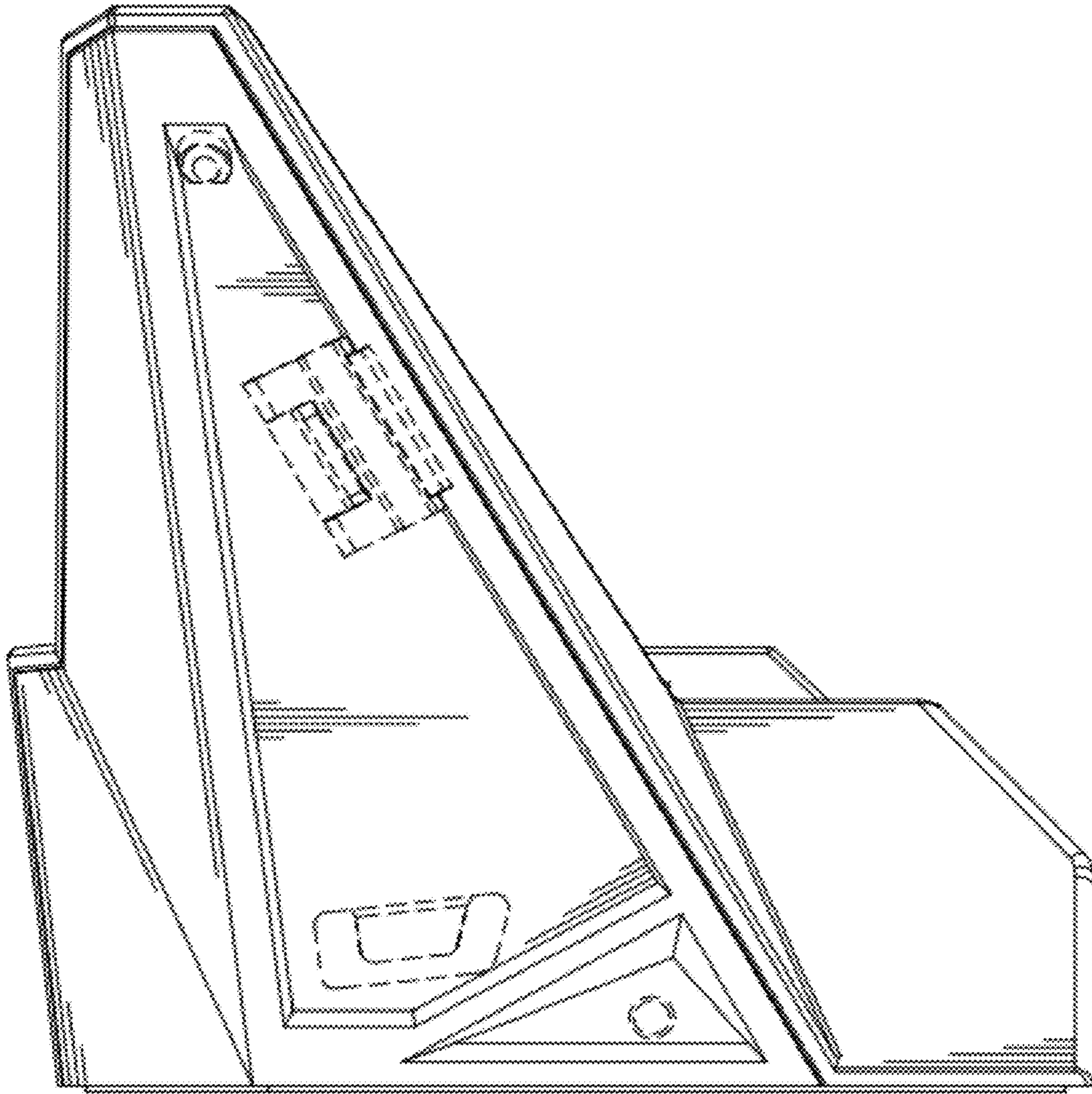


FIG. 3

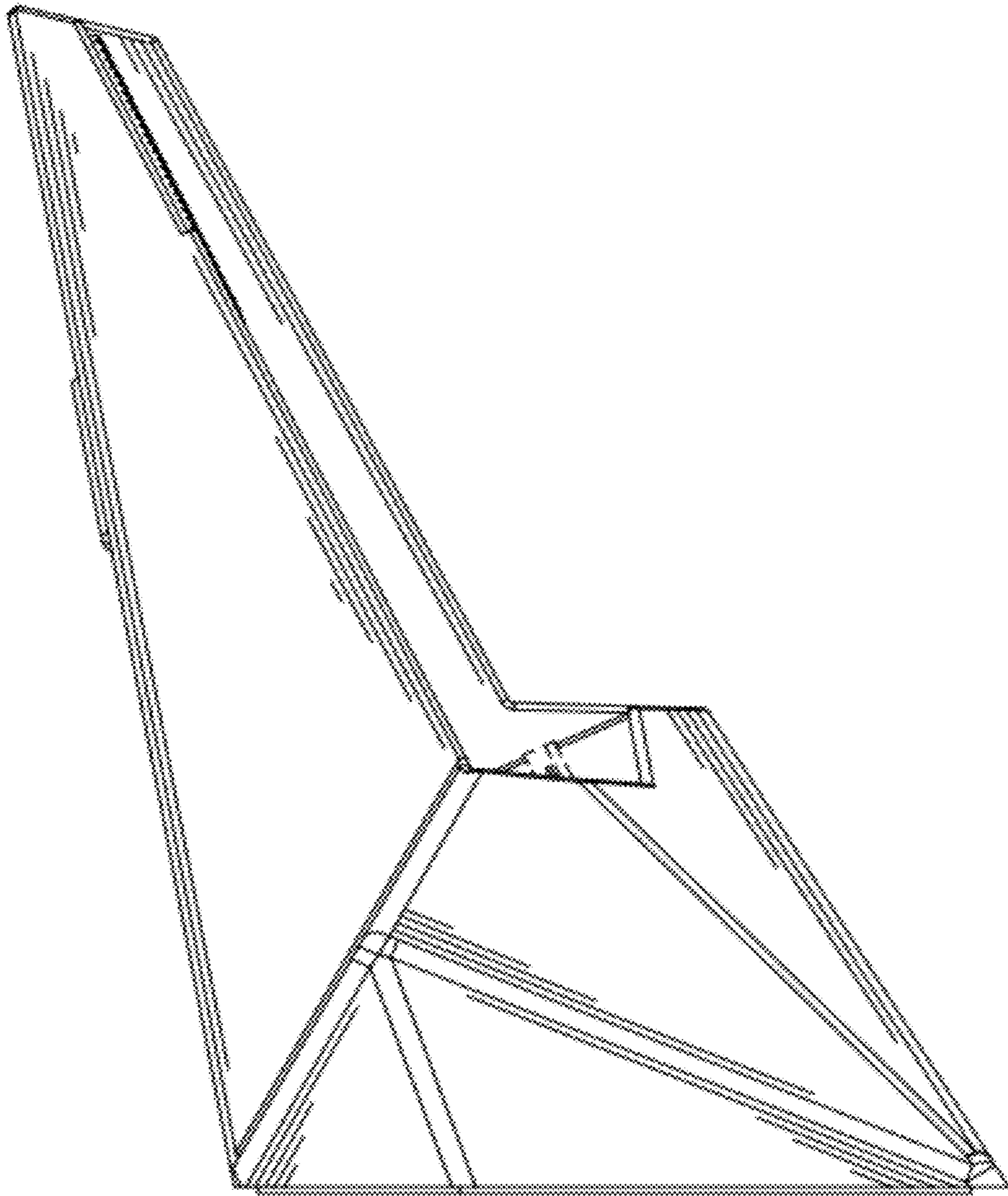


FIG. 4

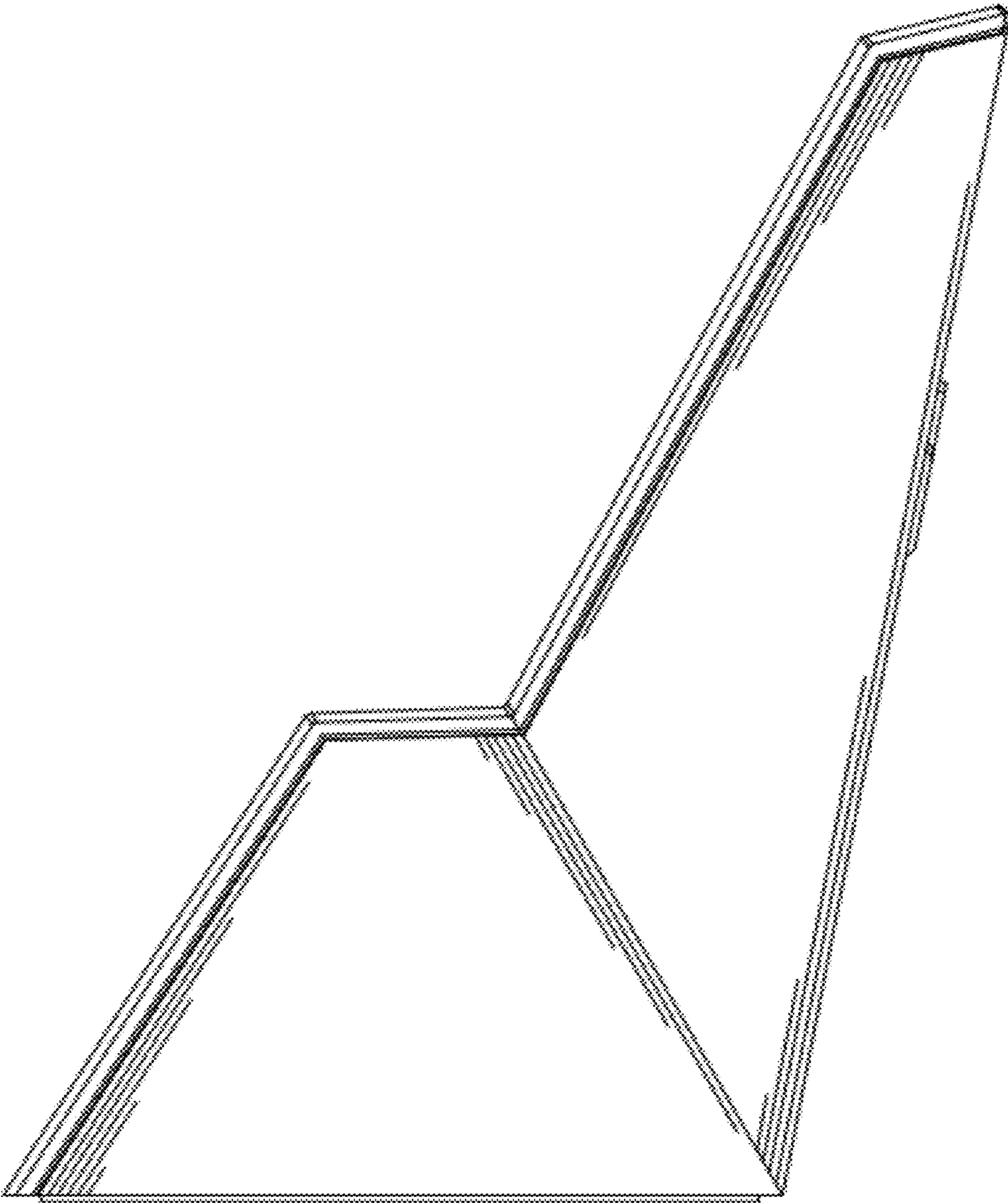


FIG. 5

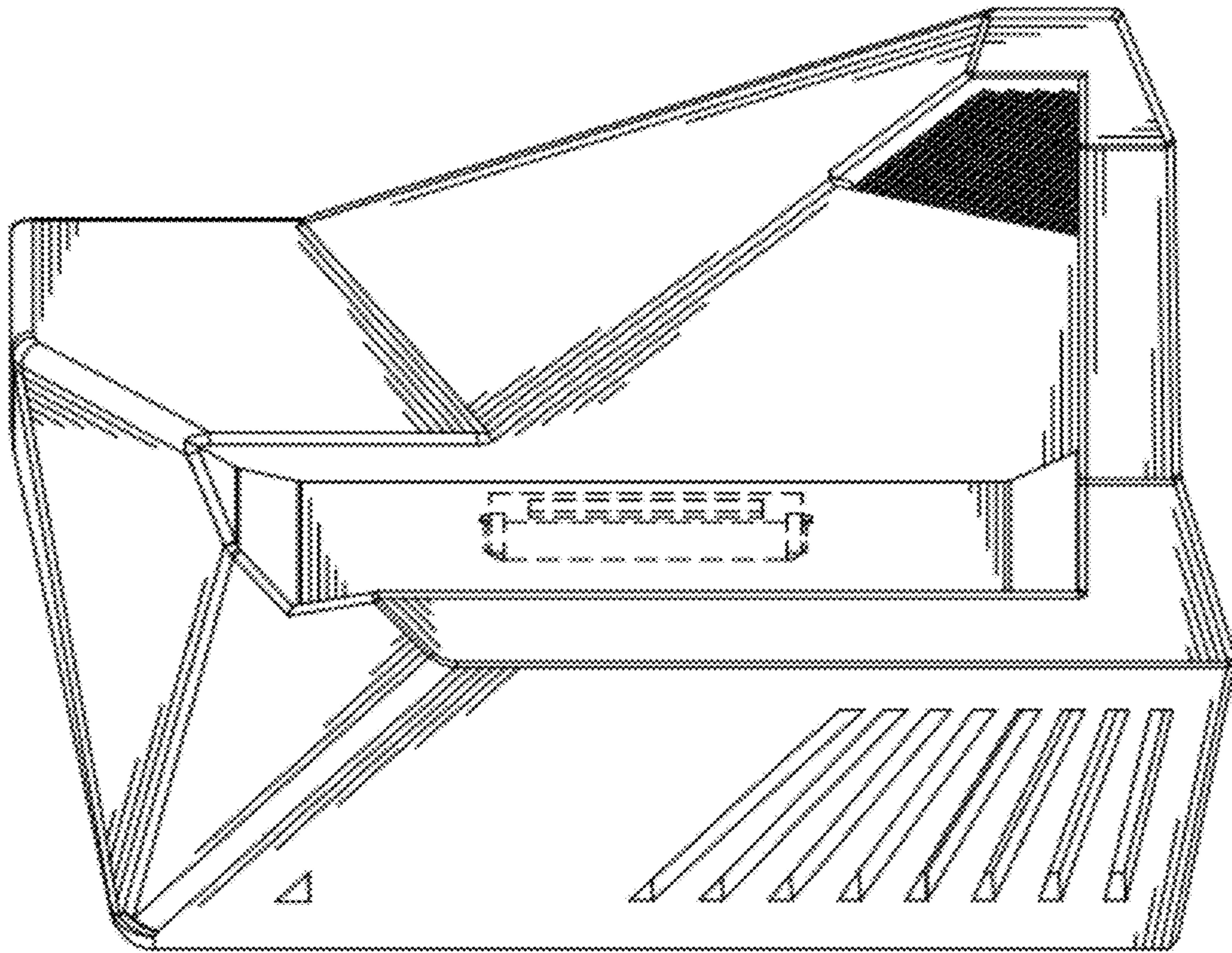


FIG. 6

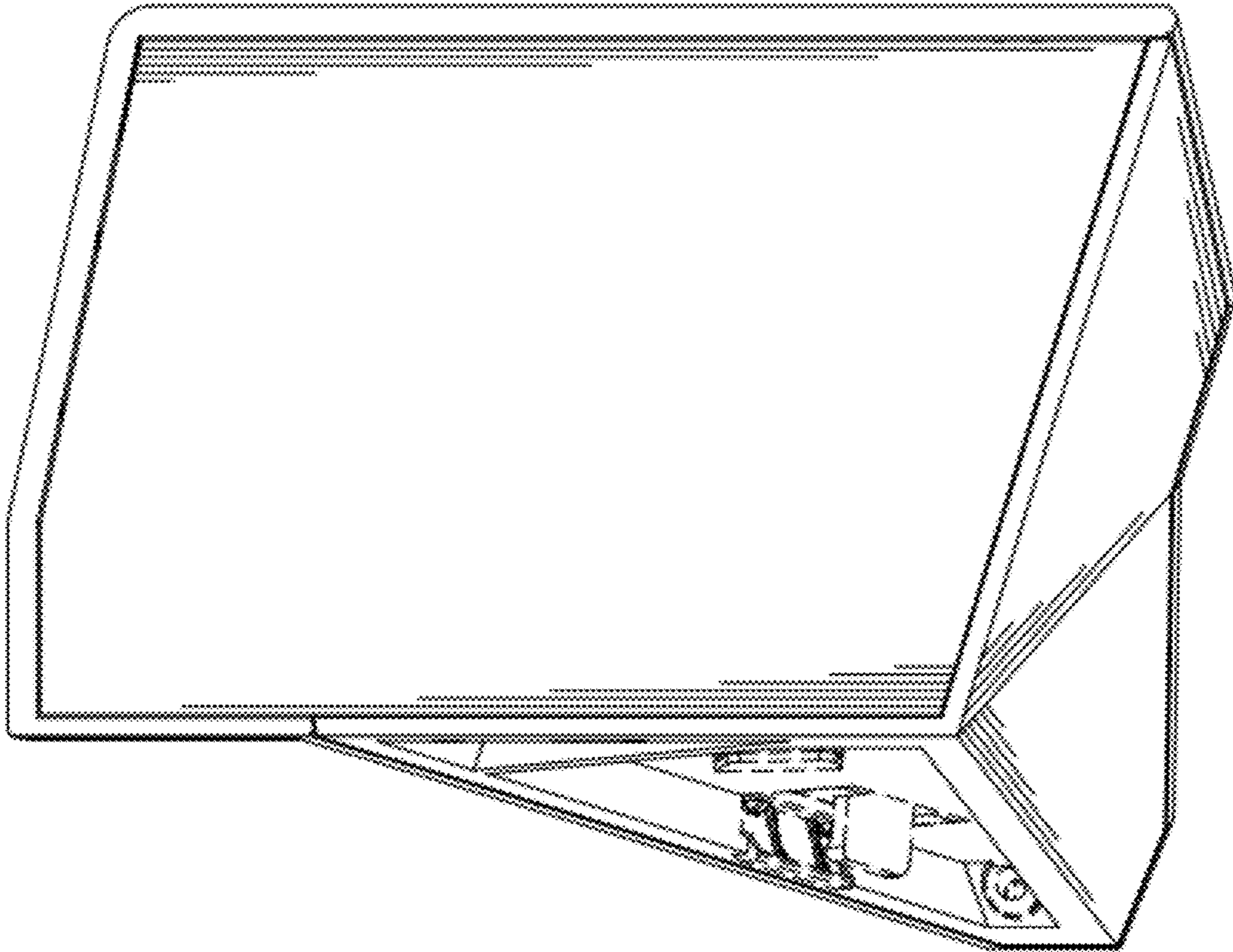


FIG. 7