



US00D666197S

(12) **United States Design Patent**
Ashcraft et al.

(10) **Patent No.:** **US D666,197 S**

(45) **Date of Patent:** **** Aug. 28, 2012**

(54) **COMPUTER**

(75) Inventors: **Britt C. Ashcraft**, Tomball, TX (US);
Eric Chen, Houston, TX (US); **Peter M. On**, Austin, TX (US)

(73) Assignee: **Hewlett-Packard Development Company, L.P.**, Houston, TX (US)

(**) Term: **14 Years**

(21) Appl. No.: **29/414,562**

(22) Filed: **Feb. 29, 2012**

(51) **LOC (9) Cl.** **14-02**

(52) **U.S. Cl.** **D14/315**

(58) **Field of Classification Search** D14/315-327,
D14/439; D18/1, 2, 7, 11; 235/145 A, 145 R;
341/22, 23; 345/104, 156, 168, 169, 173;
361/679.08, 679.09, 679.11, 679.26, 679.27
See application file for complete search history.

(56) **References Cited**

U.S. PATENT DOCUMENTS

6,067,224 A * 5/2000 Nobuchi 361/679.27
6,073,187 A * 6/2000 Jacobs et al. 710/14
7,035,665 B2 * 4/2006 Kido et al. 455/566

D524,306 S * 7/2006 Yun et al. D14/315
D615,539 S * 5/2010 Jen D14/315
2005/0041378 A1 * 2/2005 Hamada et al. 361/680

* cited by examiner

Primary Examiner — Freda S Nunn

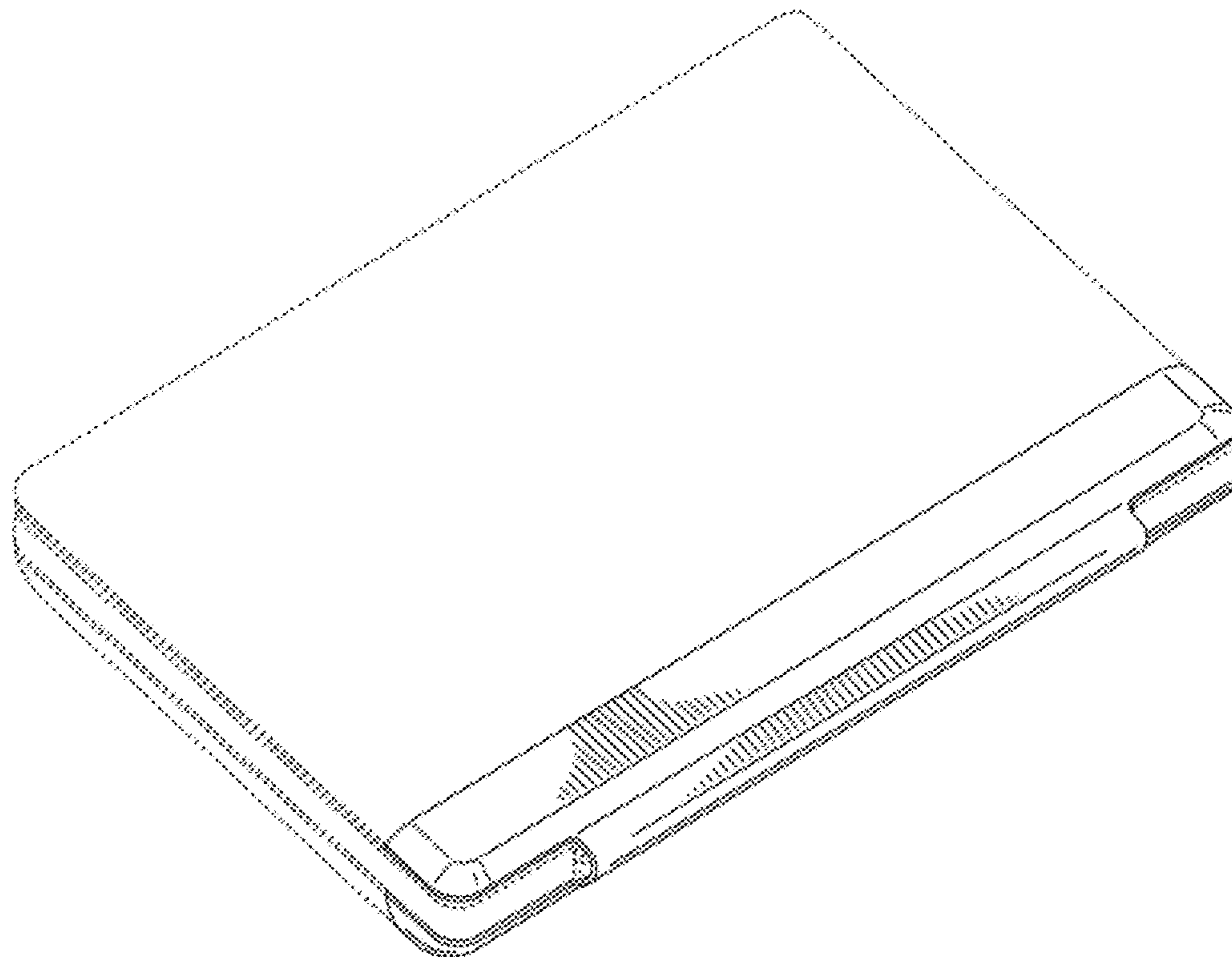
(57) **CLAIM**

We claim the ornamental design for a computer, as shown and described.

DESCRIPTION

FIG. 1 is a rear perspective view of a computer in a closed state;
FIG. 2 is a rear elevation view of the computer FIG. 1;
FIG. 3 is a right side view of the computer of FIG. 1;
FIG. 4 is a left side view of the computer of FIG. 1;
FIG. 5 is a top plan view of the computer of FIG. 1;
FIG. 6 is a bottom view of the computer of FIG. 1;
FIG. 7 is a rear perspective view of the computer of FIG. 1 in an open state;
FIG. 8 is a rear elevation view of the computer of FIG. 7;
FIG. 9 is a right side view of the computer of FIG. 7;
FIG. 10 is a left side view of the computer of FIG. 7; and,
FIG. 11 is a bottom view of the computer of FIG. 7.
The dash-dash broken lines in the drawings are environmental lines which do not form part of the claimed design.

1 Claim, 9 Drawing Sheets



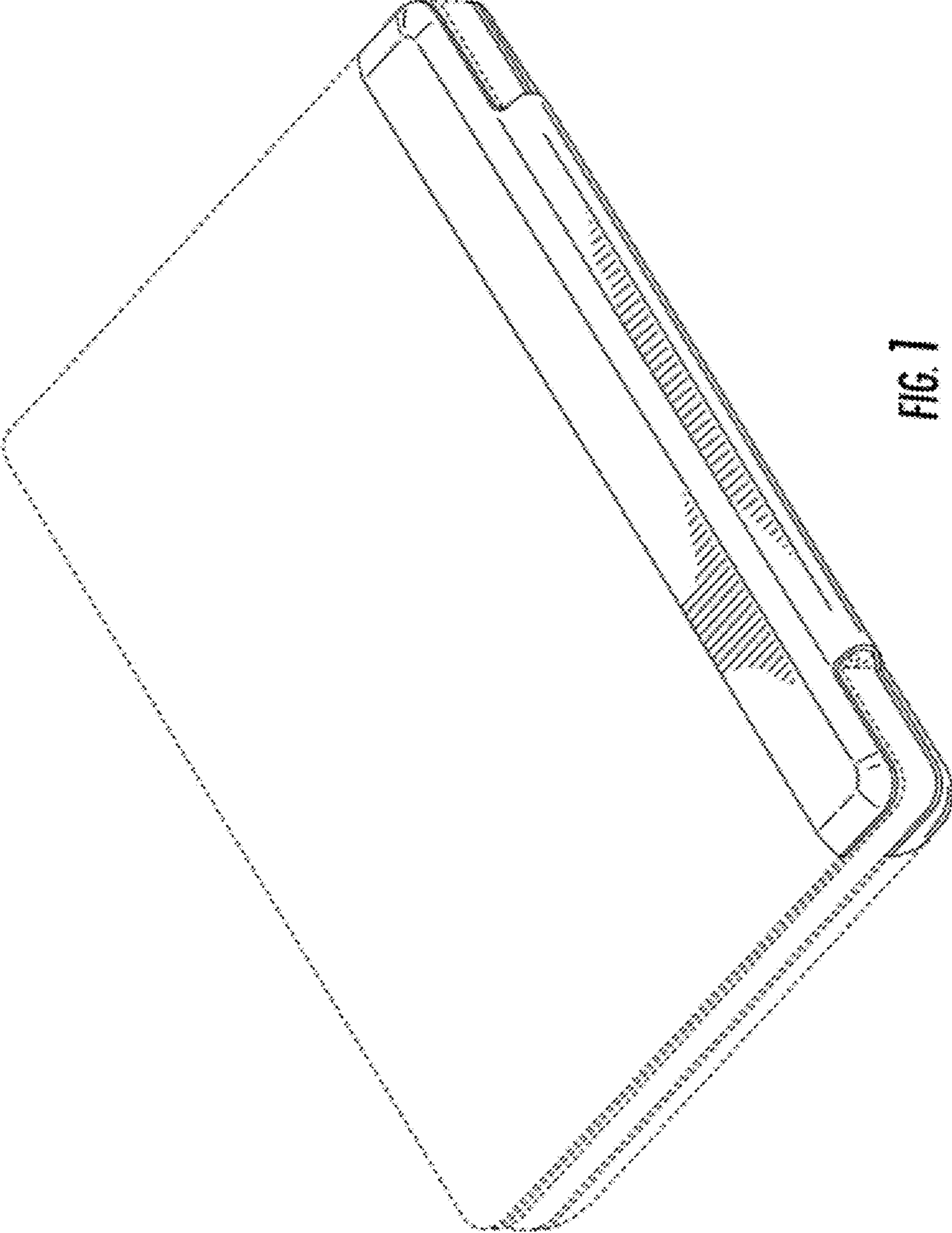


FIG. 1

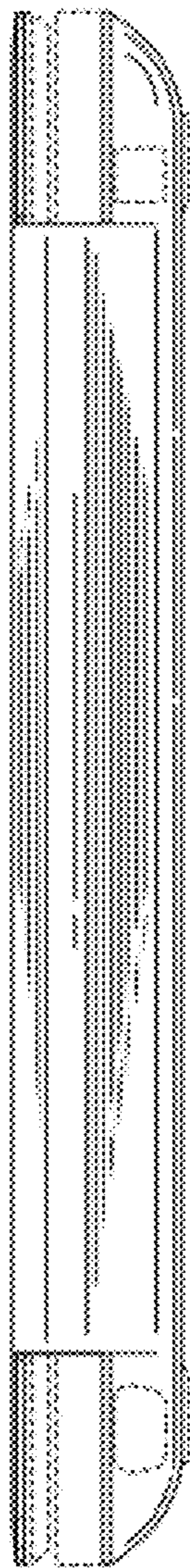


FIG. 2

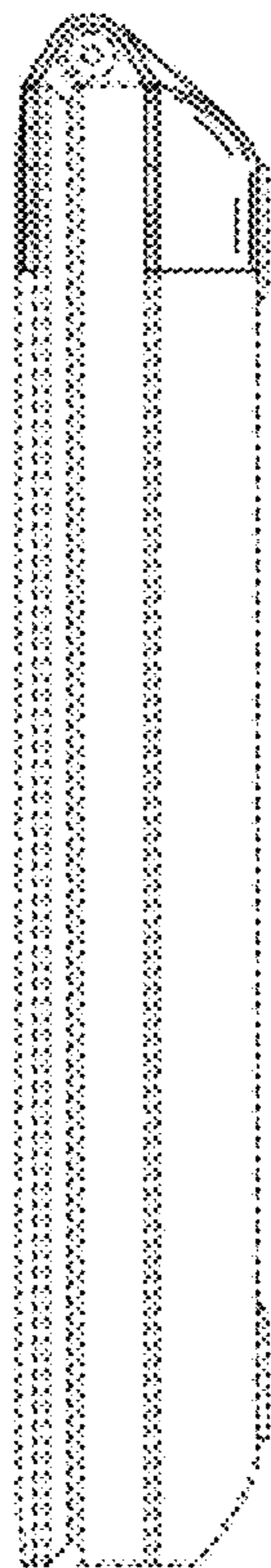


FIG. 3

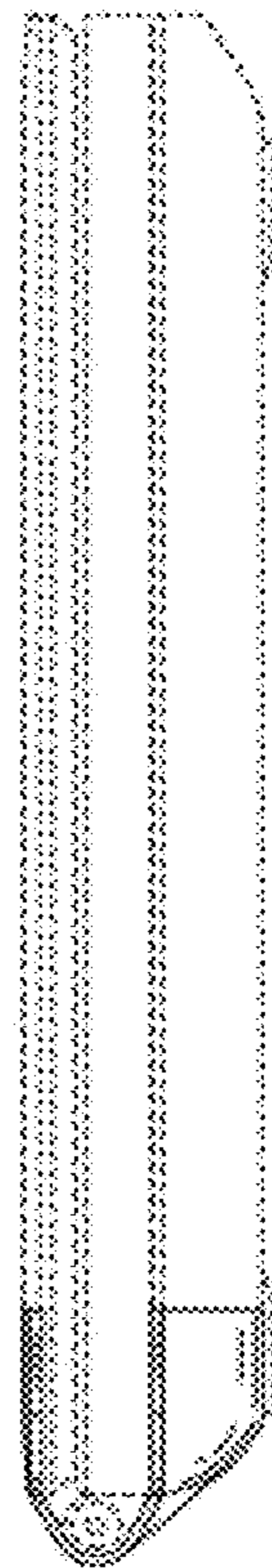


FIG. 4

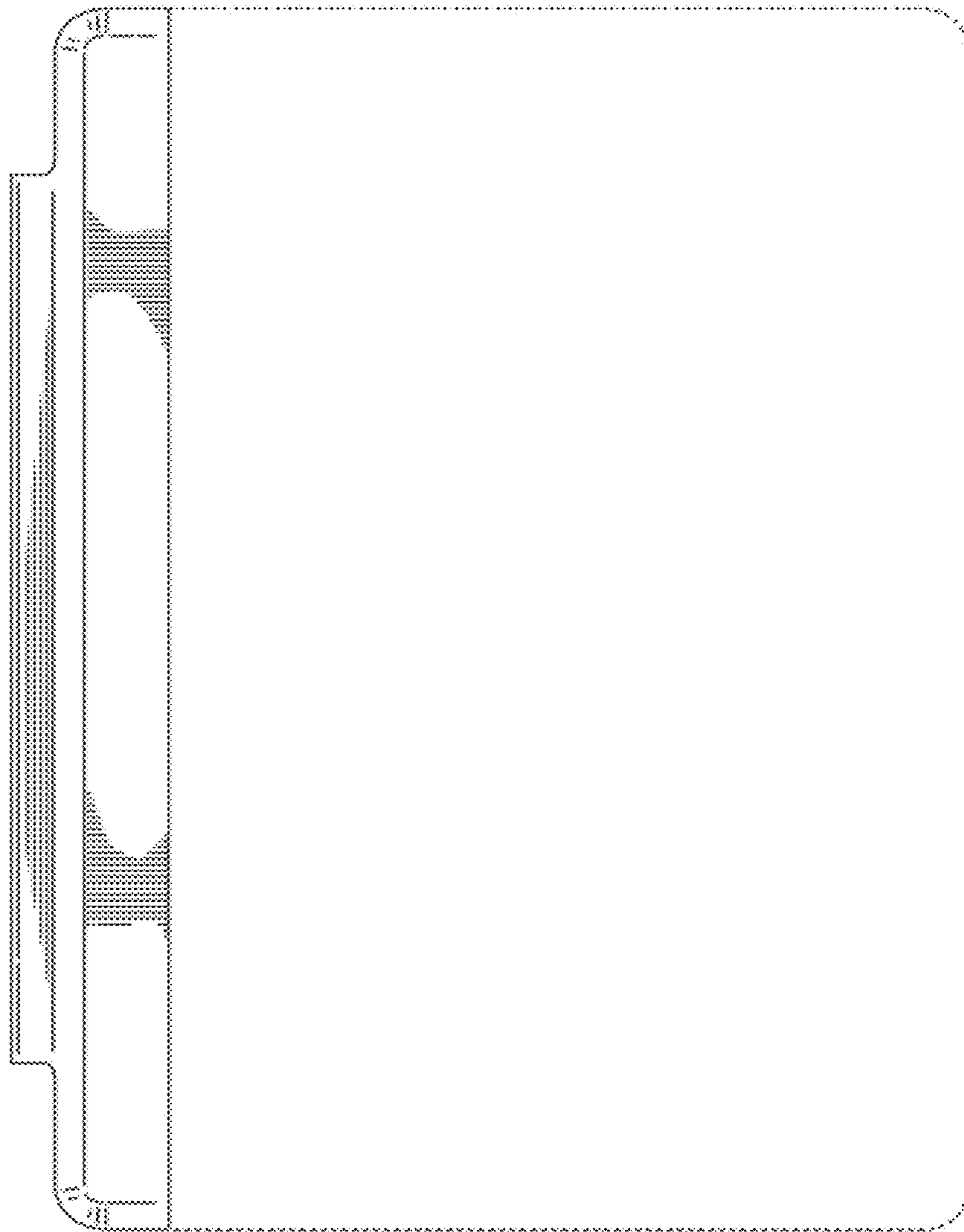


FIG. 5

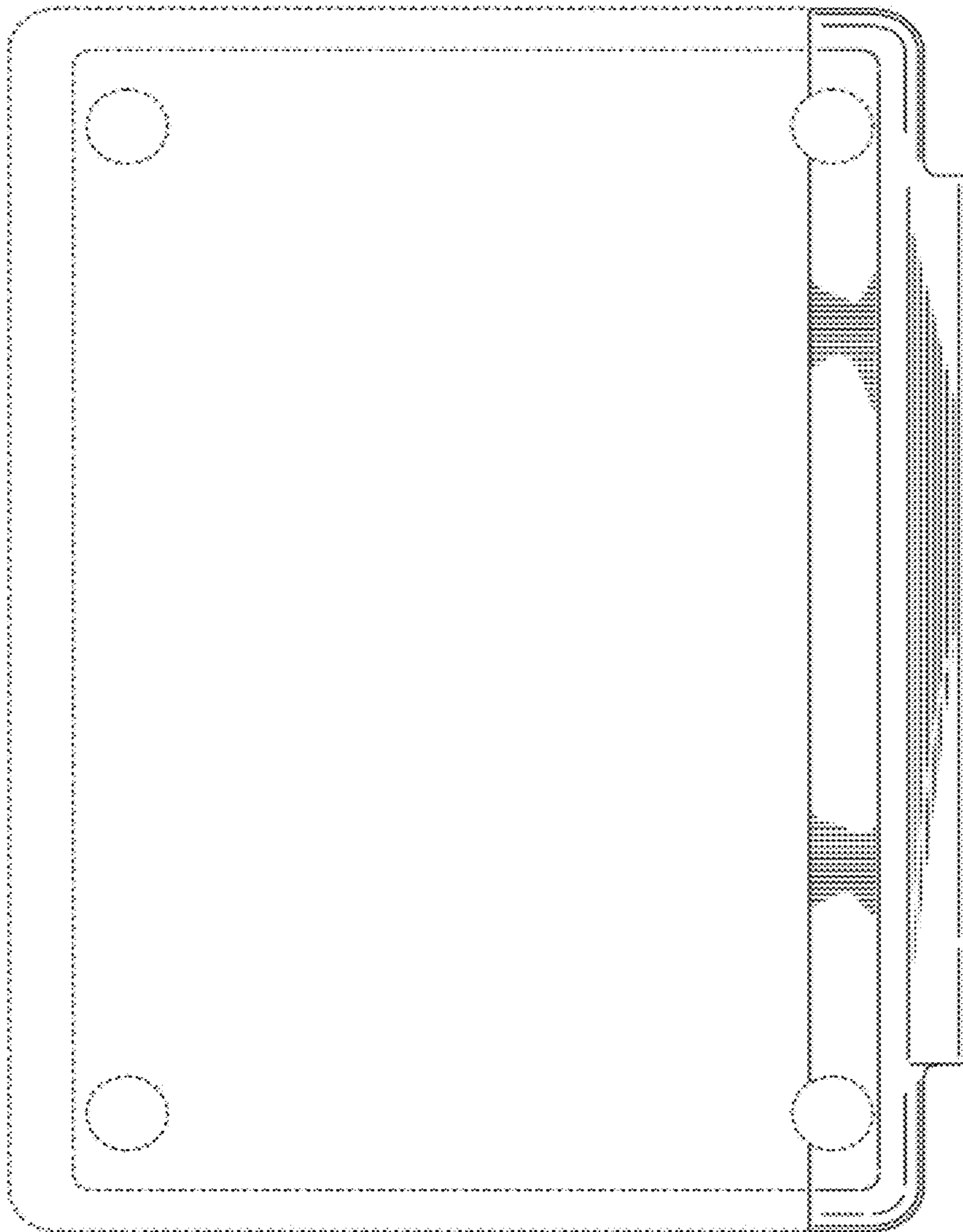


FIG. 6

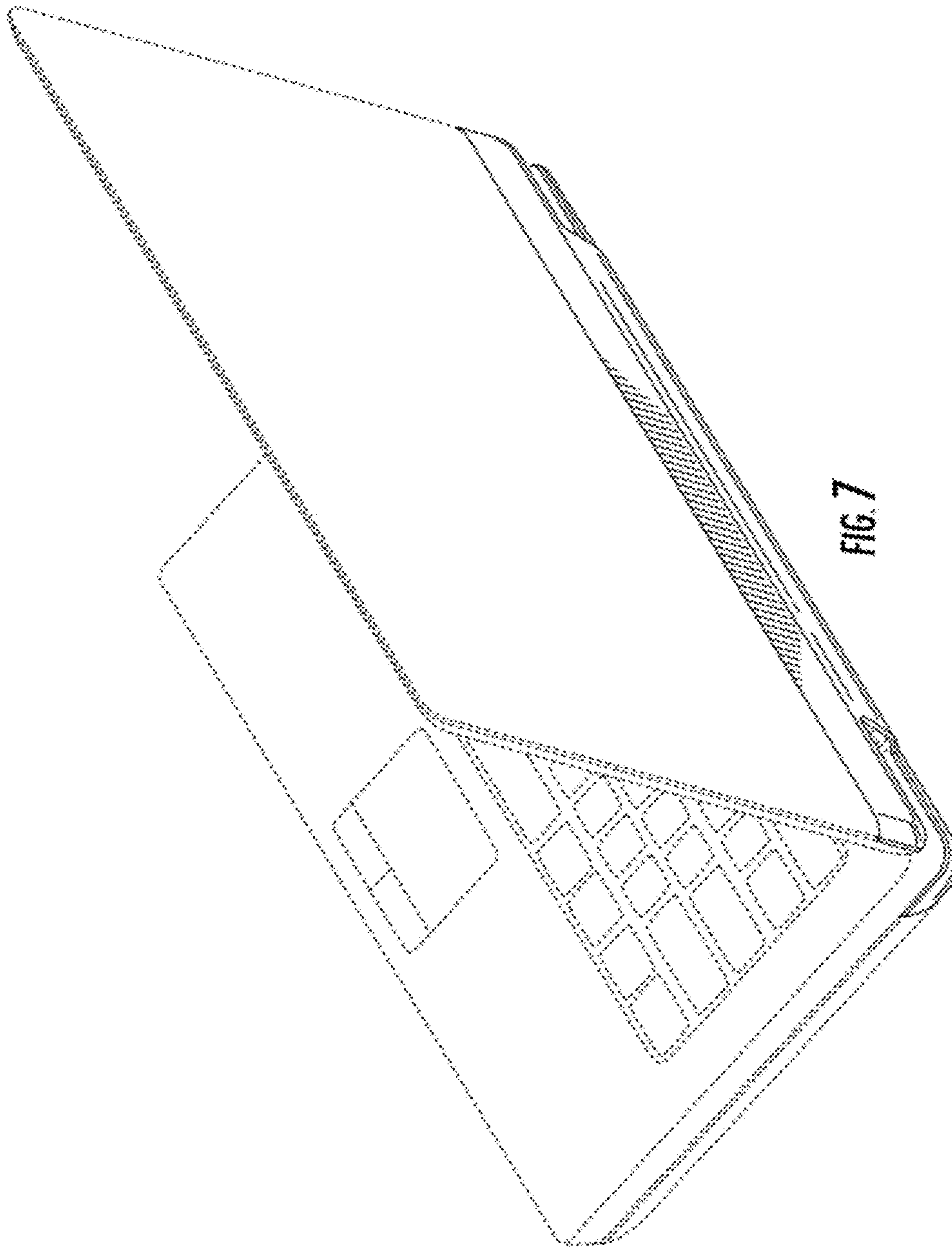


FIG. 7

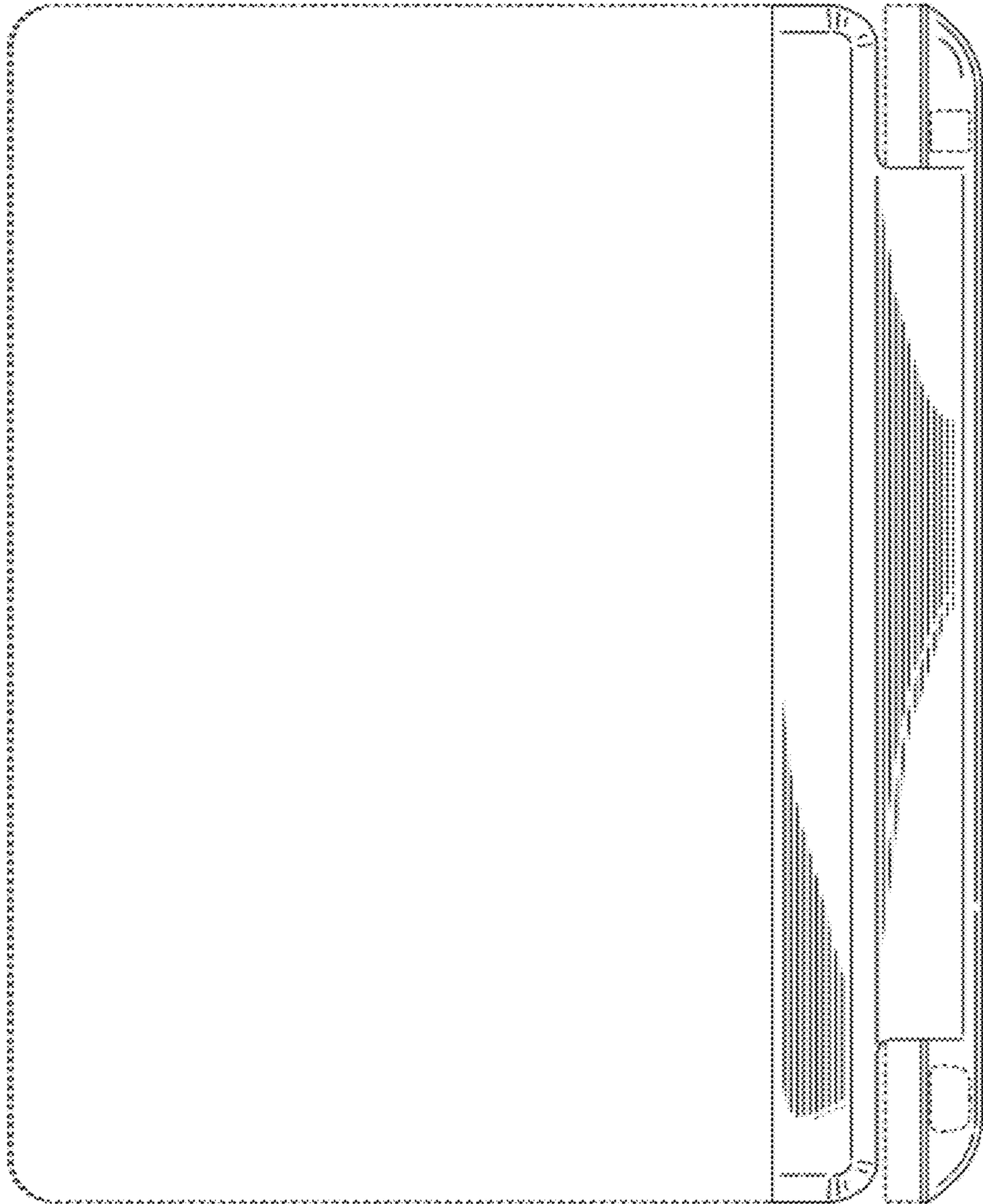


FIG. 8

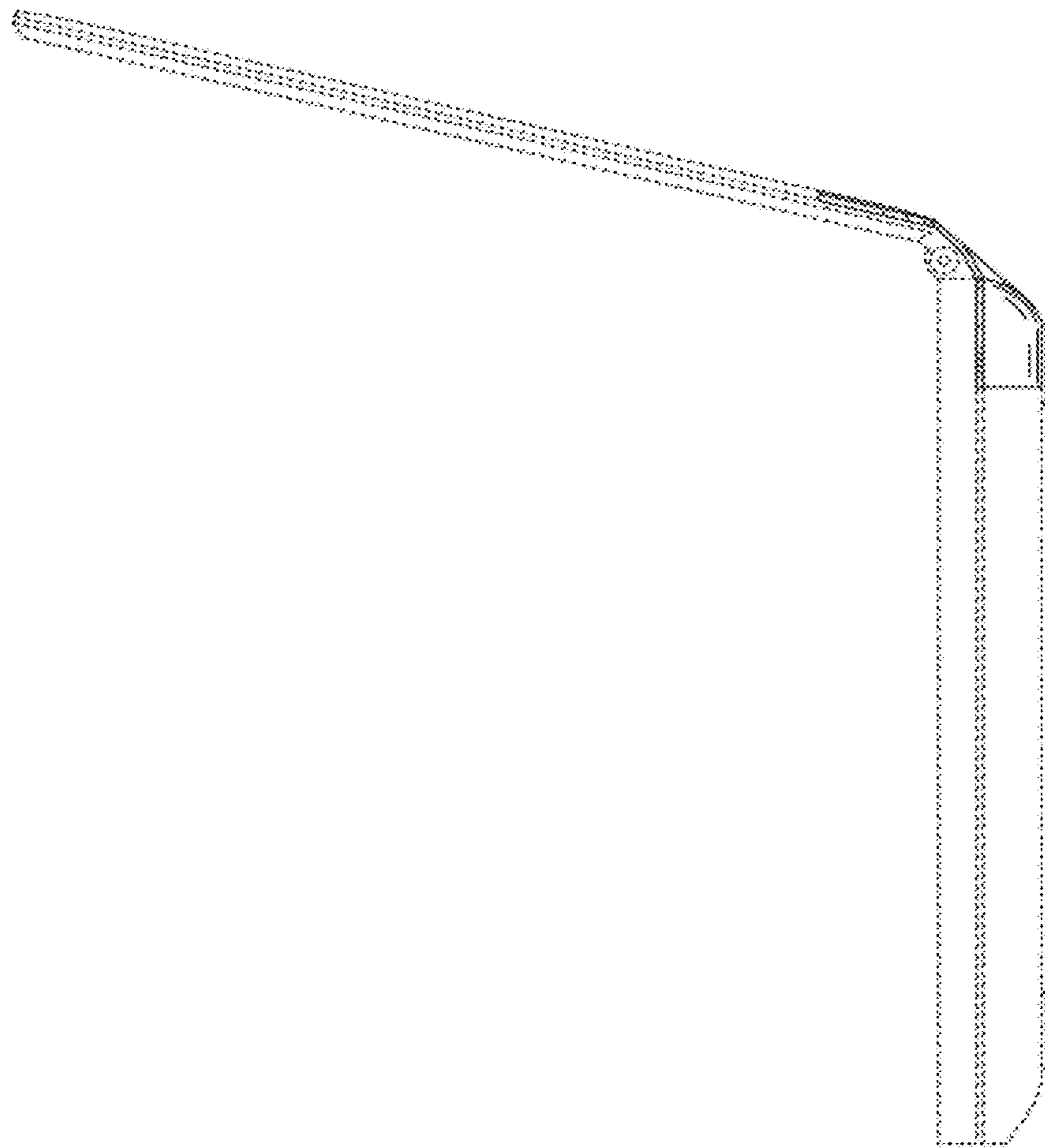


FIG. 9

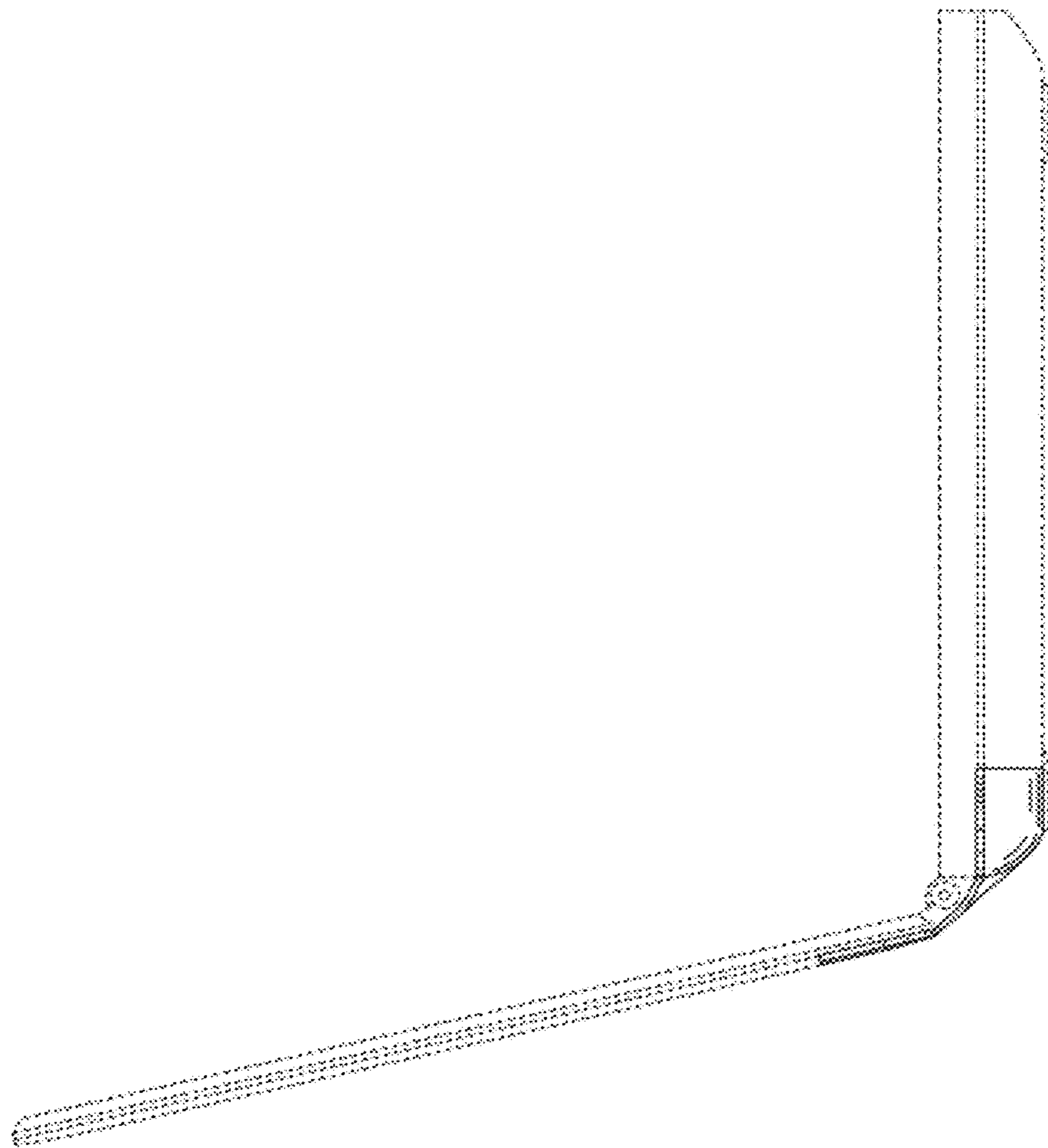


FIG. 10

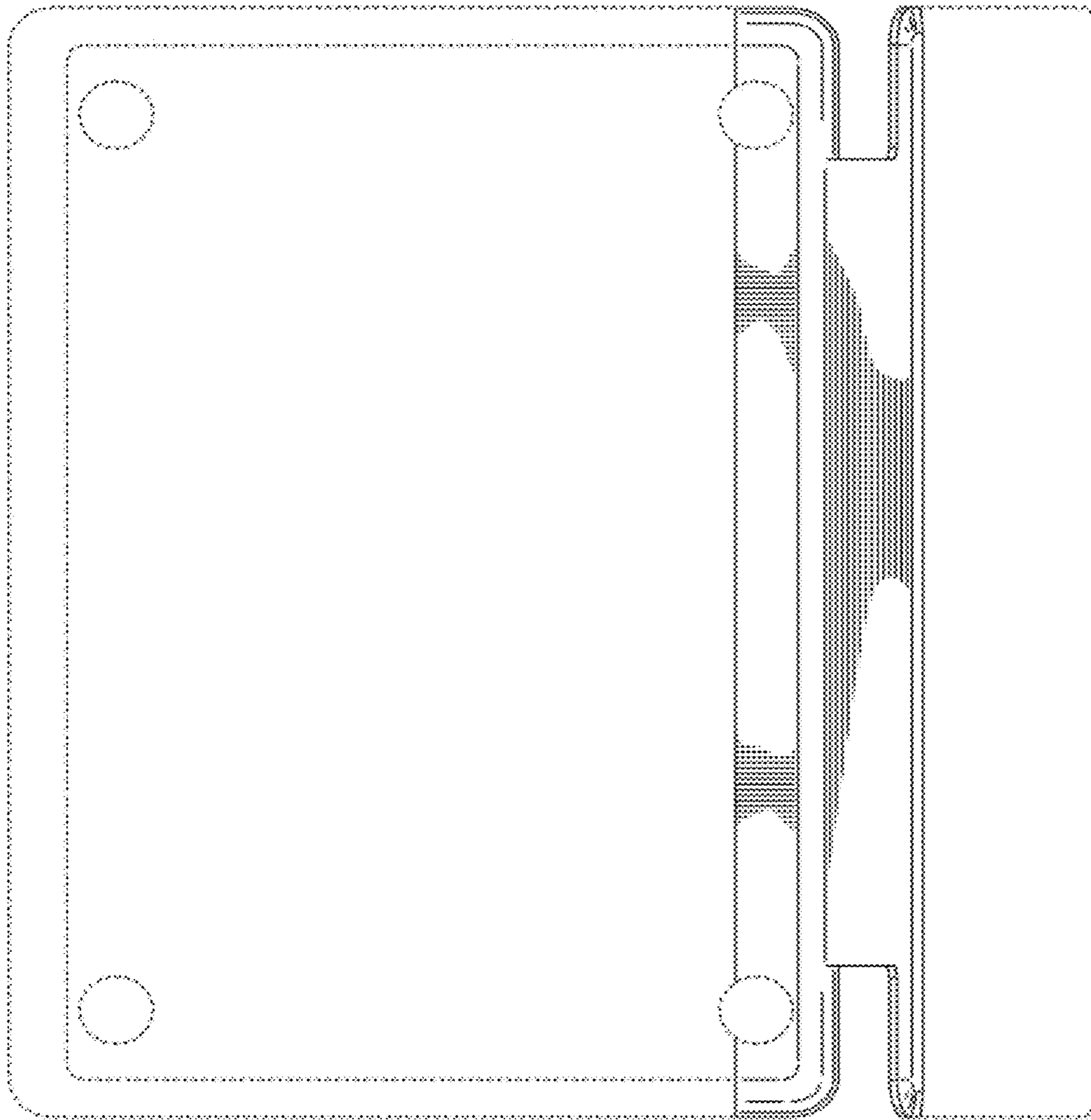


FIG. 11