

US00D666177S

(12) **United States Design Patent**
Chiu et al.

(10) **Patent No.:** **US D666,177 S**

(45) **Date of Patent:** **** Aug. 28, 2012**

(54) **WIRELESS HEADPHONE**

(75) Inventors: **Hsiao-Ping Chiu**, New Taipei (TW);
Hsueh-Tsen Tsai, New Taipei (TW);
Cheng-Sheng Chung, New Taipei
(TW); **Cheng-Pang Chen**, New Taipei
(TW)

(73) Assignee: **Hon Hai Precision Industry Co., Ltd.**,
Tu-Cheng, New Taipei (TW)

(**) Term: **14 Years**

(21) Appl. No.: **29/404,226**

(22) Filed: **Oct. 18, 2011**

(51) **LOC (9) Cl.** **14-01**

(52) **U.S. Cl.** **D14/223**

(58) **Field of Classification Search** D14/205,
D14/206, 223; 181/129, 130, 135; 379/430,
379/431; 381/380, 381; 455/90.3, 575.1

See application file for complete search history.

(56) **References Cited**

U.S. PATENT DOCUMENTS

| | | | | |
|----------------|---------|--------------|-------|---------|
| D566,108 S * | 4/2008 | Kan | | D14/223 |
| D566,696 S * | 4/2008 | Schmelling | | D14/223 |
| D579,923 S * | 11/2008 | Andre et al. | | D14/223 |
| D592,677 S * | 5/2009 | Sheba et al. | | D14/496 |
| 7,639,825 B2 * | 12/2009 | Fukuda | | 381/151 |
| D616,873 S * | 6/2010 | Olivier | | D14/223 |
| D624,904 S * | 10/2010 | Lim | | D14/223 |
| D629,396 S * | 12/2010 | Andre et al. | | D14/223 |
| D636,381 S * | 4/2011 | Liner | | D14/223 |
| D637,183 S * | 5/2011 | March | | D14/223 |

| | | | | |
|--------------|---------|--------------------|-------|---------|
| D637,184 S * | 5/2011 | March | | D14/223 |
| D640,242 S * | 6/2011 | Fahrendorff et al. | | D14/223 |
| D642,162 S * | 7/2011 | Wang et al. | | D14/223 |
| D643,420 S * | 8/2011 | Huang | | D14/223 |
| D647,513 S * | 10/2011 | Ha et al. | | D14/223 |
| D647,889 S * | 11/2011 | Huang | | D14/223 |
| D649,957 S * | 12/2011 | Fahrendorff et al. | | D14/223 |
| D649,959 S * | 12/2011 | Kim et al. | | D14/223 |
| D655,695 S * | 3/2012 | Hanks et al. | | D14/223 |
| D656,490 S * | 3/2012 | Birger | | D14/223 |
| D661,283 S * | 6/2012 | Huang | | D14/223 |

* cited by examiner

Primary Examiner — Paula Greene

(74) *Attorney, Agent, or Firm* — Altis Law Group, Inc.

(57) **CLAIM**

The ornamental design for a wireless headphone, as shown and described.

DESCRIPTION

FIG. 1 is a perspective view of a wireless headphone showing our new design;

FIG. 2 is a front elevational view thereof;

FIG. 3 is a rear elevational view thereof;

FIG. 4 is a left side elevational view thereof;

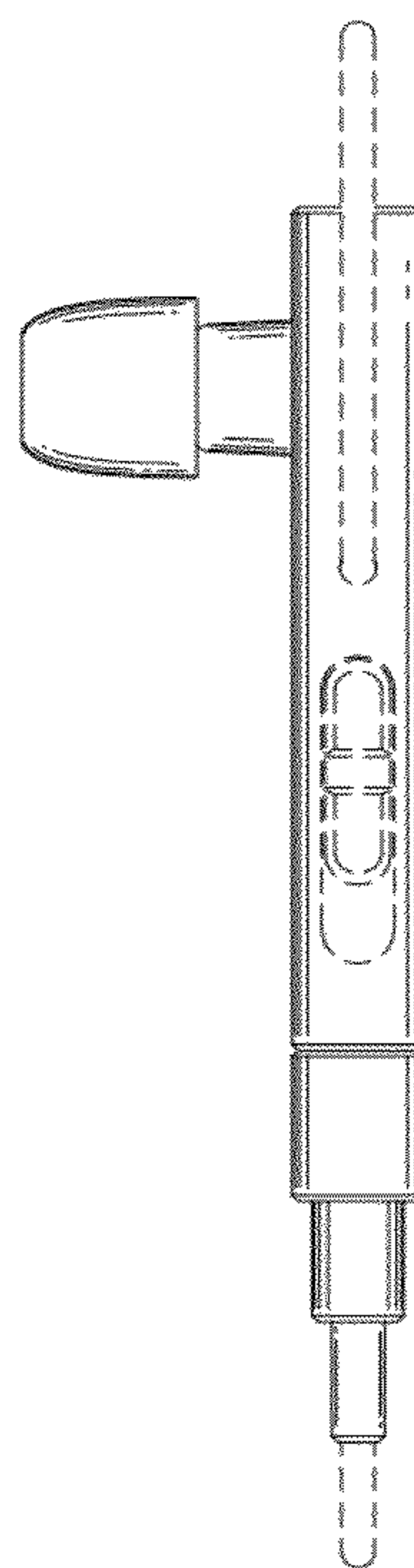
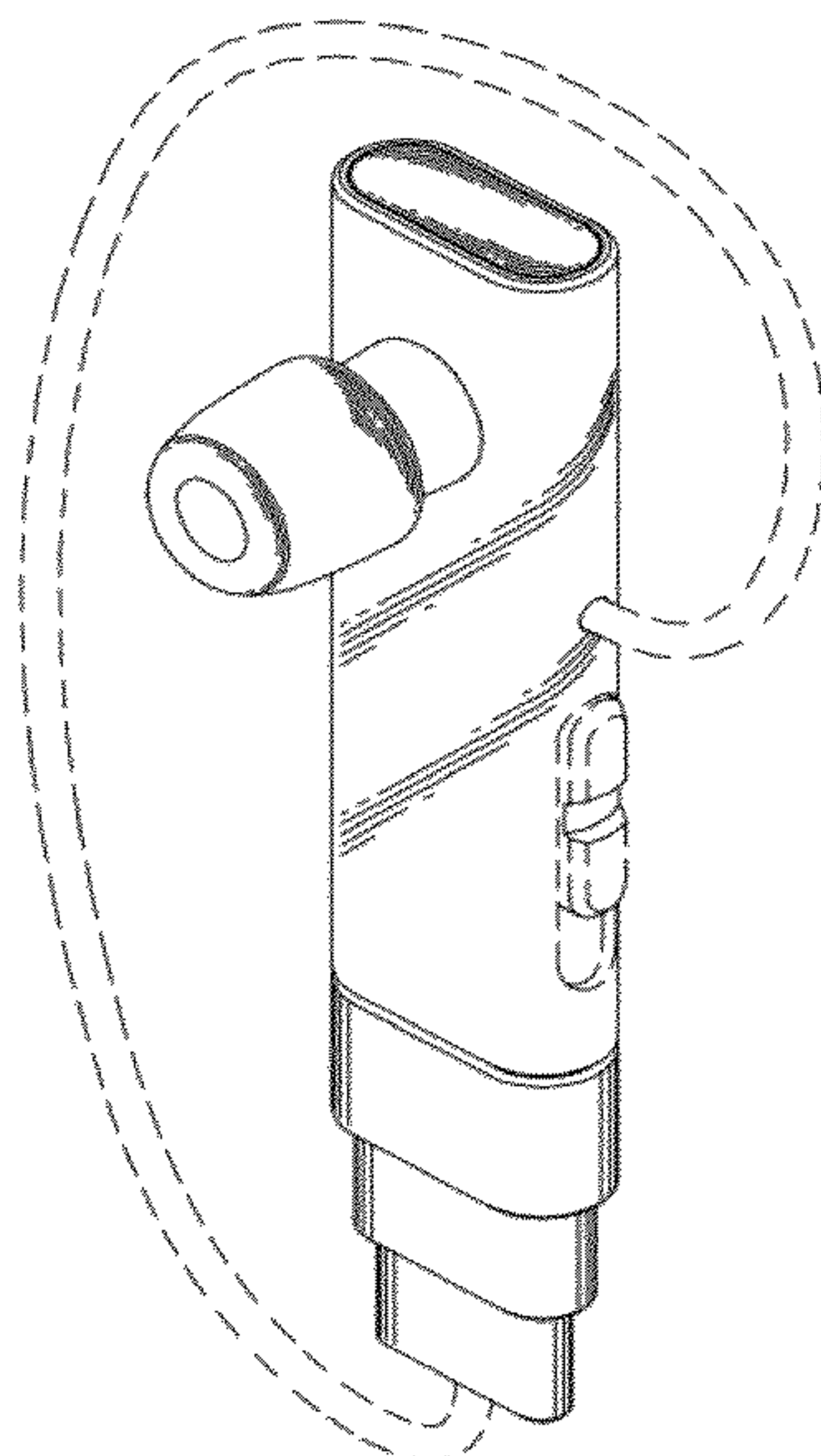
FIG. 5 is a right side elevational view thereof;

FIG. 6 is a top plan view thereof; and,

FIG. 7 is a bottom plan view thereof.

The broken lines of all the figures are for the purpose of illustrating environment and forms no part of the claimed design.

1 Claim, 7 Drawing Sheets



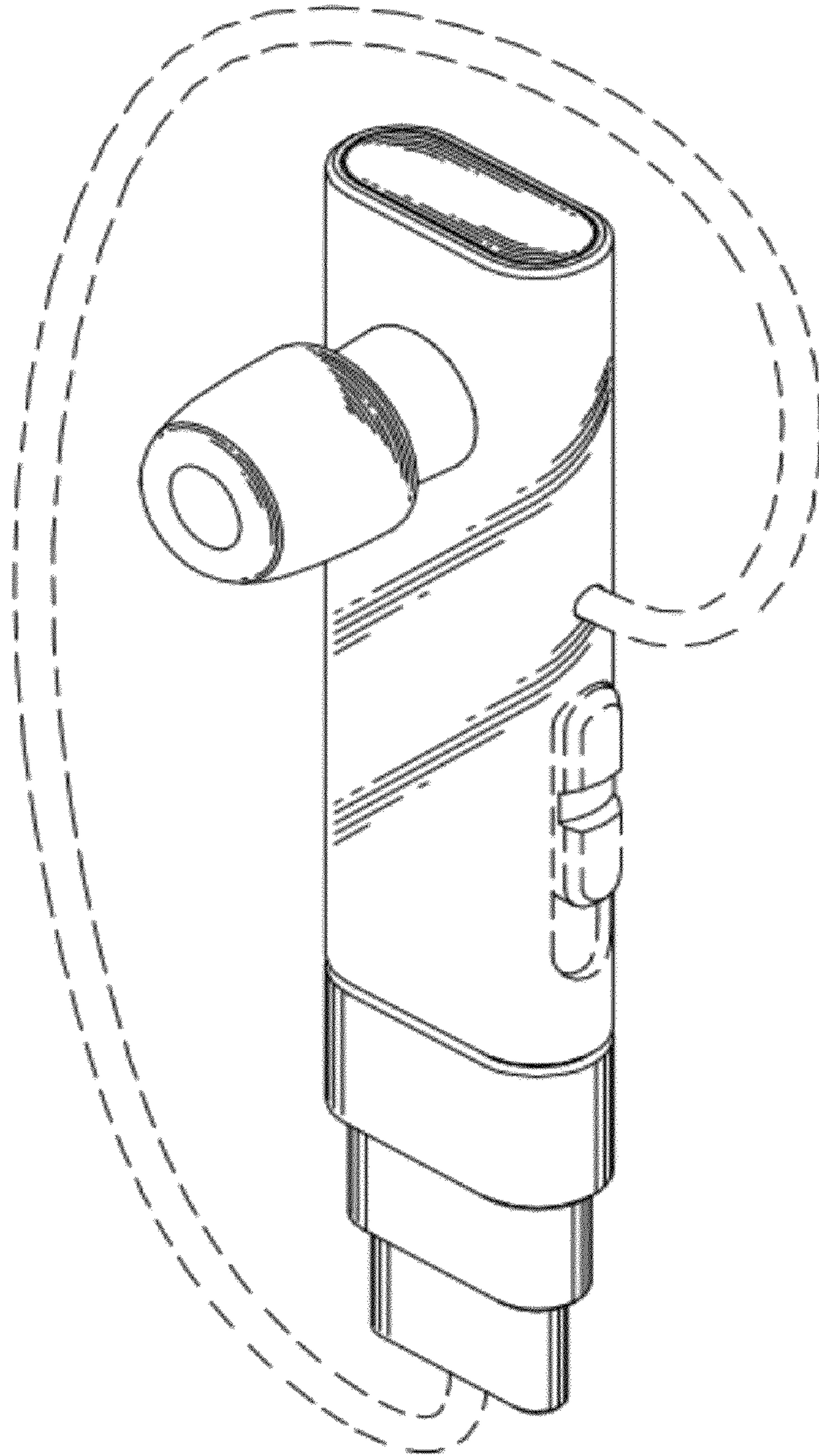


FIG. 1

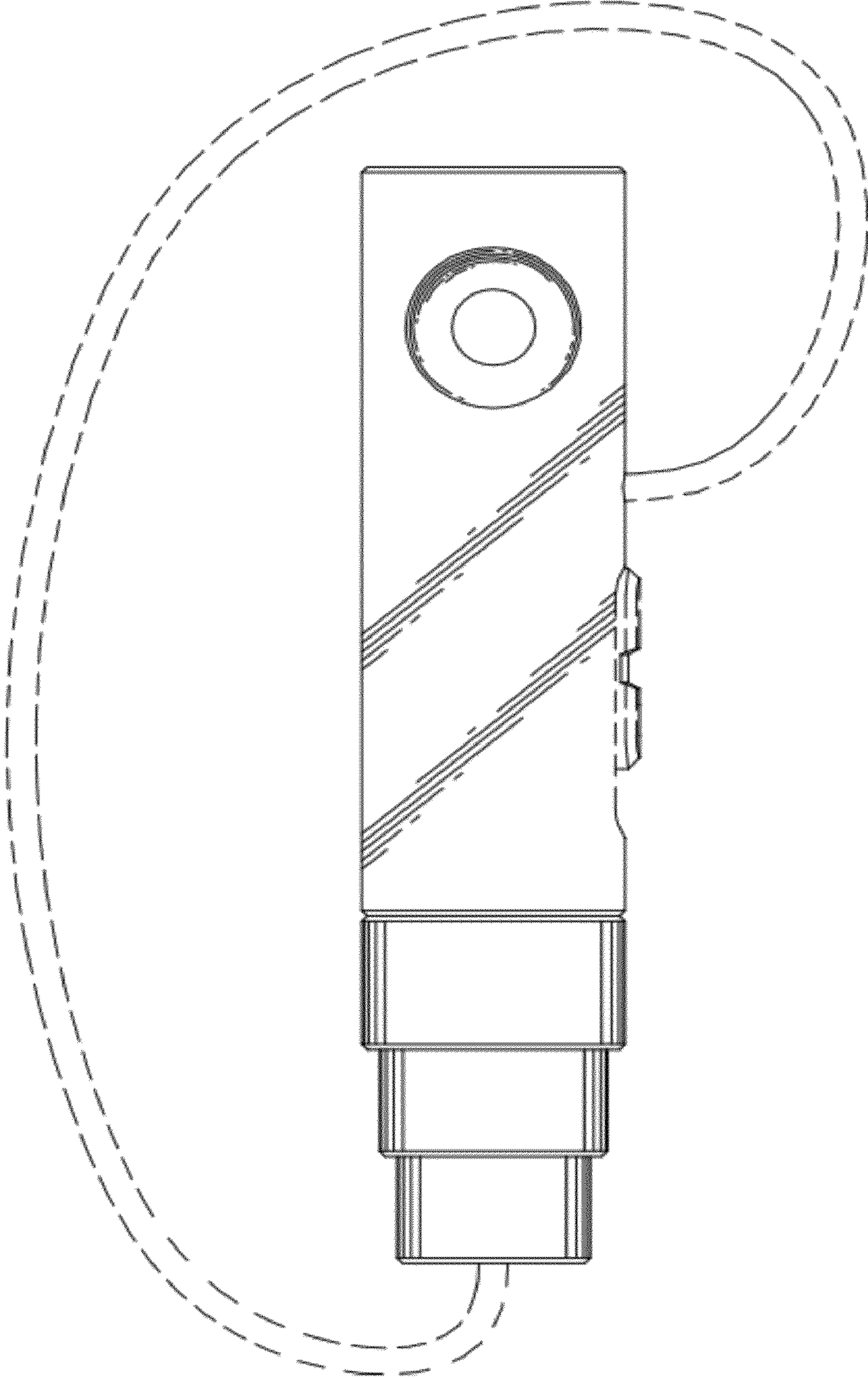


FIG. 2

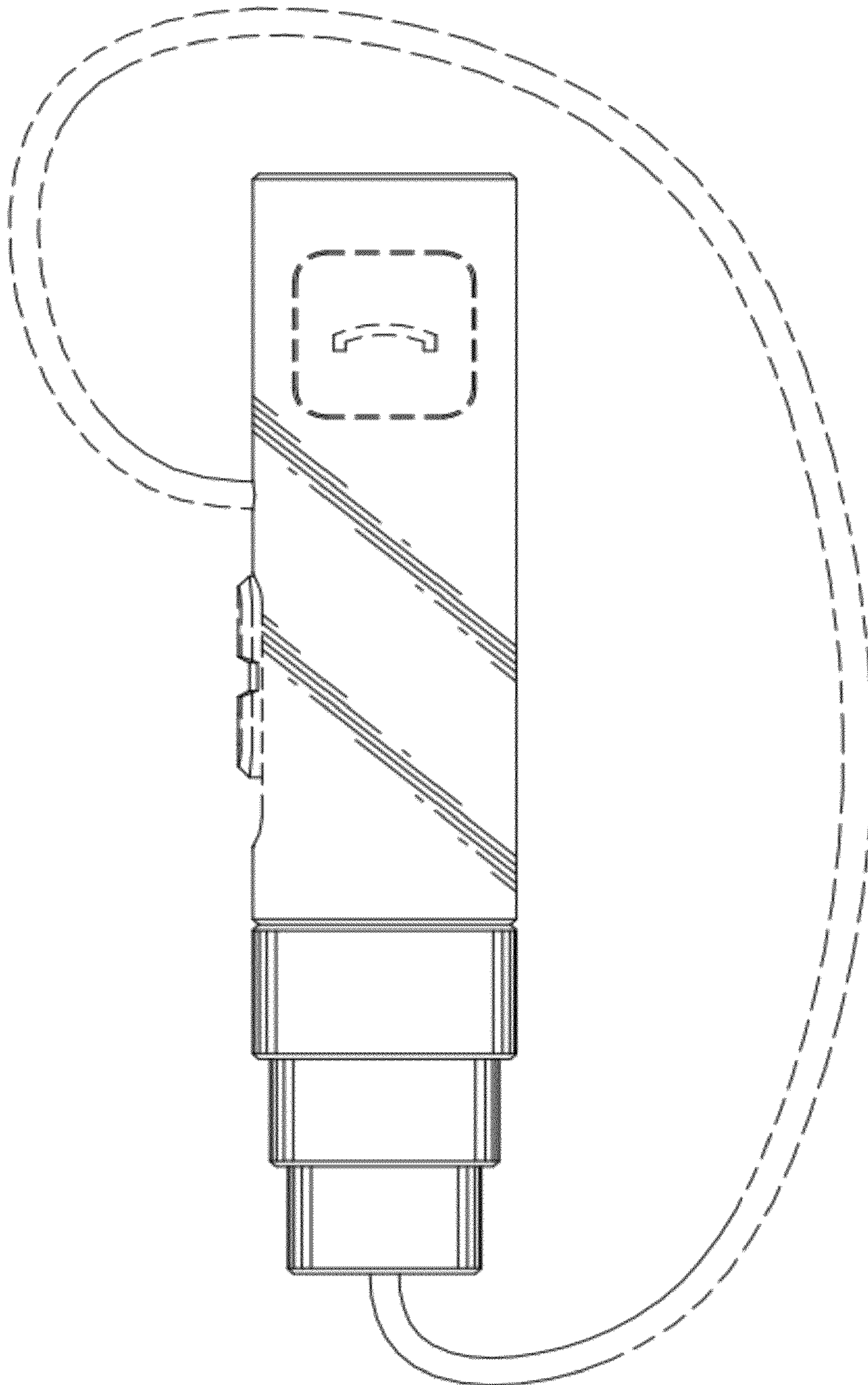


FIG. 3

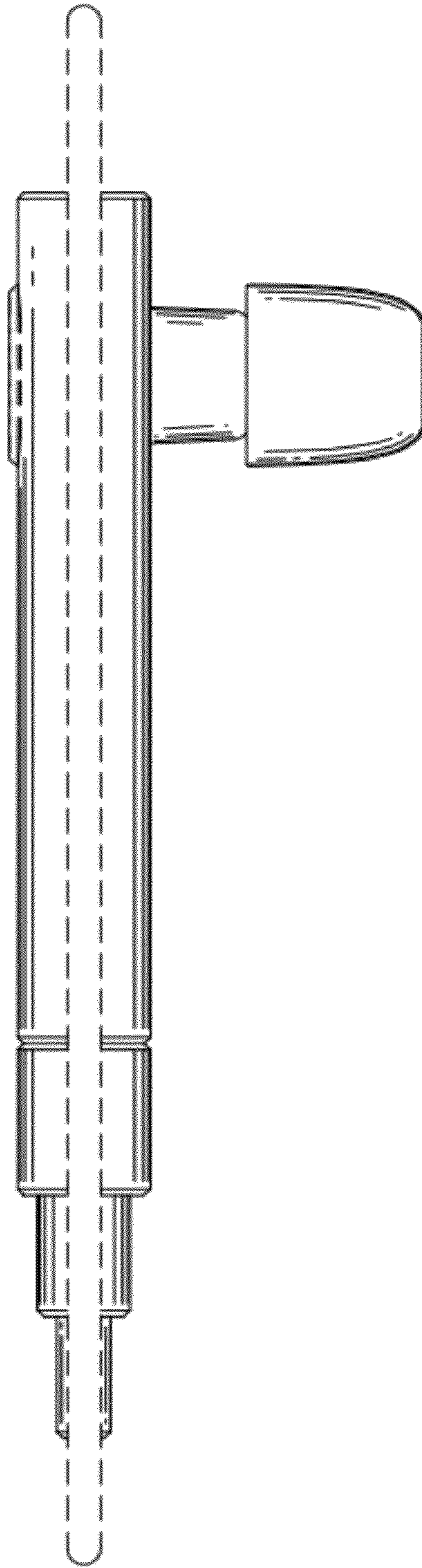


FIG. 4

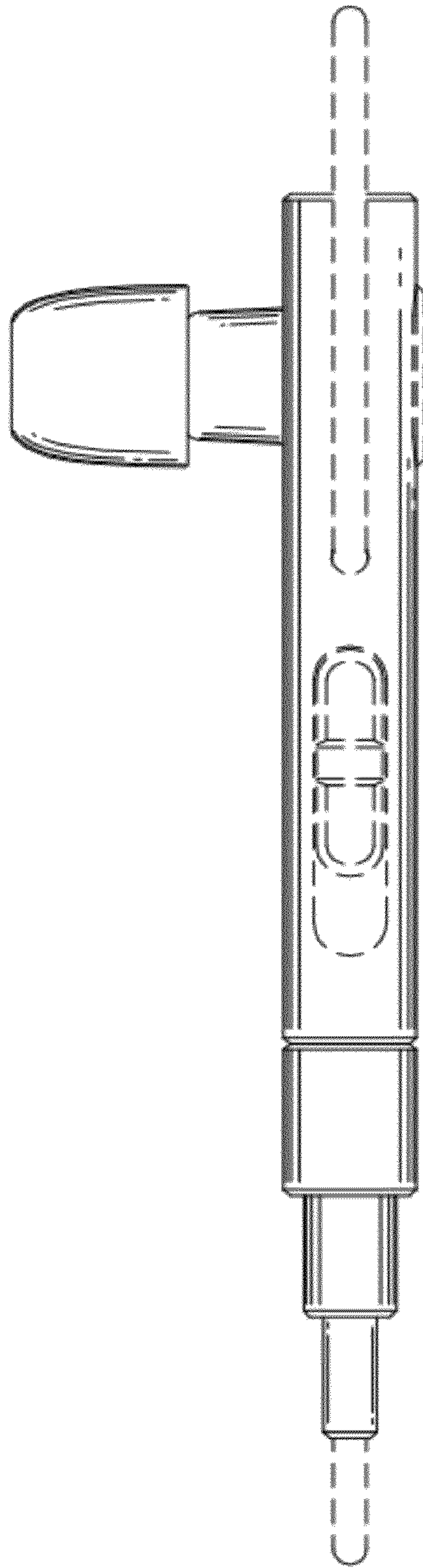


FIG. 5

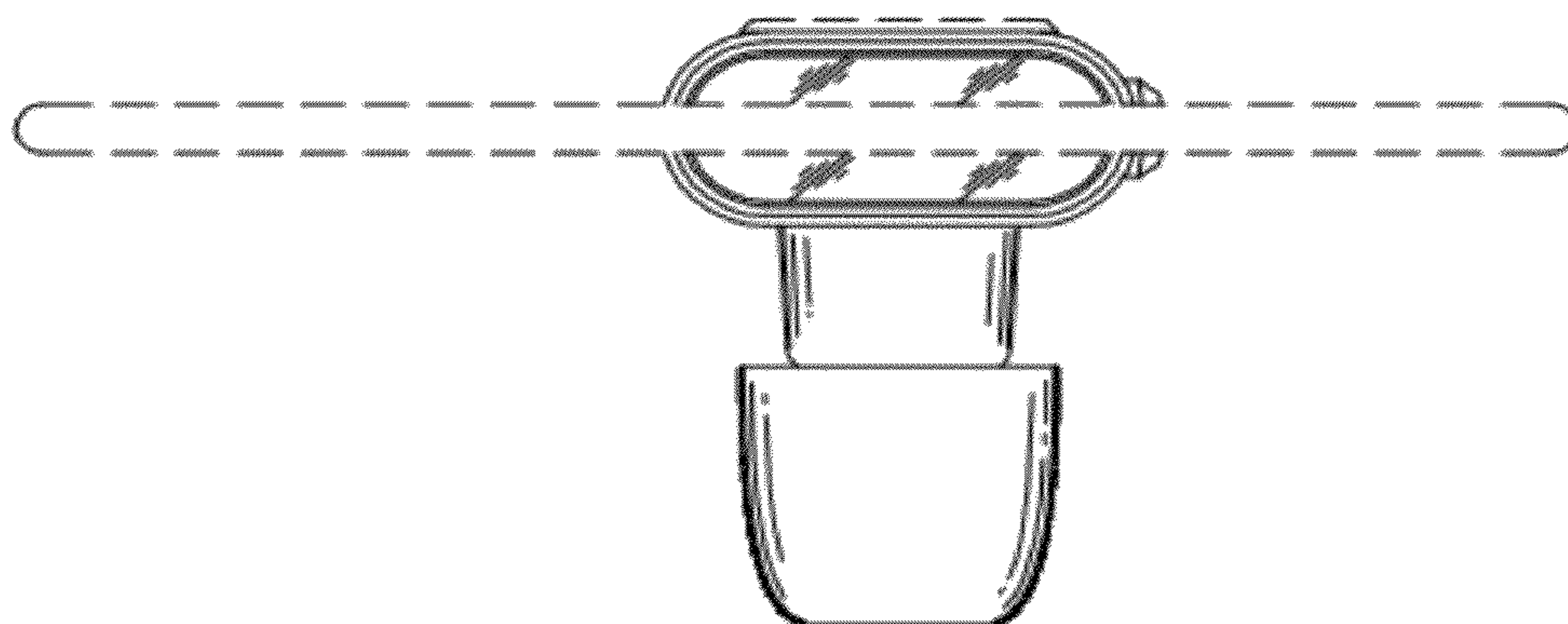


FIG. 6

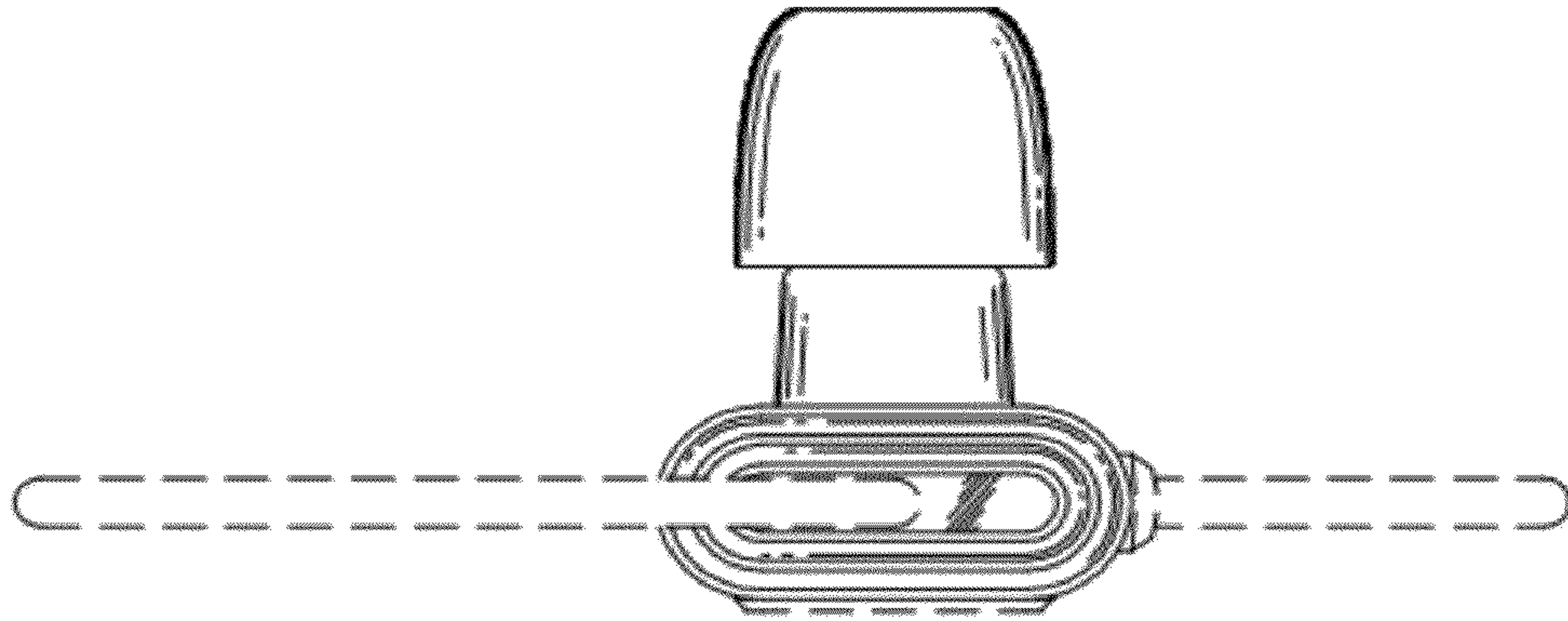


FIG. 7