



US00D666174S

(12) **United States Design Patent**
Du et al.

(10) **Patent No.:** **US D666,174 S**

(45) **Date of Patent:** **** Aug. 28, 2012**

(54) **SUPPORTER FOR PORTABLE ELECTRONIC DEVICE**

(75) Inventors: **Bin Du**, Shenzhen (CN); **Wen-Rong Chen**, Tu-Cheng (TW); **Hui Li**, Shenzhen (CN); **Cong Huang**, Shenzhen (CN)

(73) Assignee: **Hon Hai Precision Industry Co., Ltd.**, Tu-Cheng, New Taipei (TW)

(**) Term: **14 Years**

(21) Appl. No.: **29/393,307**

(22) Filed: **Jun. 2, 2011**

(30) **Foreign Application Priority Data**

Dec. 16, 2010 (CN) 2010 3 0682840

(51) **LOC (9) Cl.** **14-03**

(52) **U.S. Cl.** **D14/217**

(58) **Field of Classification Search** D14/140, D14/142, 149, 155, 157, 188, 191-193, 203.1-203.8, D14/217, 240, 243, 251, 253, 432-435.1, D14/447, 451, 496, 474, 480.1-480.7; D13/107, D13/108, 118; D3/218; 248/221.11, 309.1; 320/107, 110, 113-115; 361/600; 439/529, 439/534; 455/556.1-556.2, 557

See application file for complete search history.

(56) **References Cited**

U.S. PATENT DOCUMENTS

D335,227 S * 5/1993 Lapsker et al. D6/449
D415,482 S * 10/1999 Jolson D14/447
6,129,323 A * 10/2000 Mandokoro et al. 248/453
D437,600 S * 2/2001 Calfee D14/447
D457,351 S * 5/2002 Zerman et al. D6/462

D501,513 S * 2/2005 Linyear et al. D19/91
D510,517 S * 10/2005 Noack D8/373
D618,692 S * 6/2010 Deutsch et al. D14/447
D636,395 S * 4/2011 Anderson et al. D14/434
D637,583 S * 5/2011 Beal et al. D14/217
D638,019 S * 5/2011 Weisshaupt D14/434
D640,249 S * 6/2011 Choi D14/253
D640,708 S * 6/2011 Lee D14/447
D647,881 S * 11/2011 Warner D14/217
D648,325 S * 11/2011 Akana et al. D14/217
D648,727 S * 11/2011 Van Den Nieuwenhuizen et al. D14/447
D651,213 S * 12/2011 Magness et al. D14/447
D652,834 S * 1/2012 Jones et al. D14/434
D656,500 S * 3/2012 Maruyama et al. D14/447

OTHER PUBLICATIONS

Store Display Corporation, <http://www.storedisplay.jp/>. Mar. 8, 2011, p. 8, The magazine of HC13000309 from JP Patent Office Design Department.

* cited by examiner

Primary Examiner — Keli L Hill

(74) *Attorney, Agent, or Firm* — Altis Law Group, Inc.

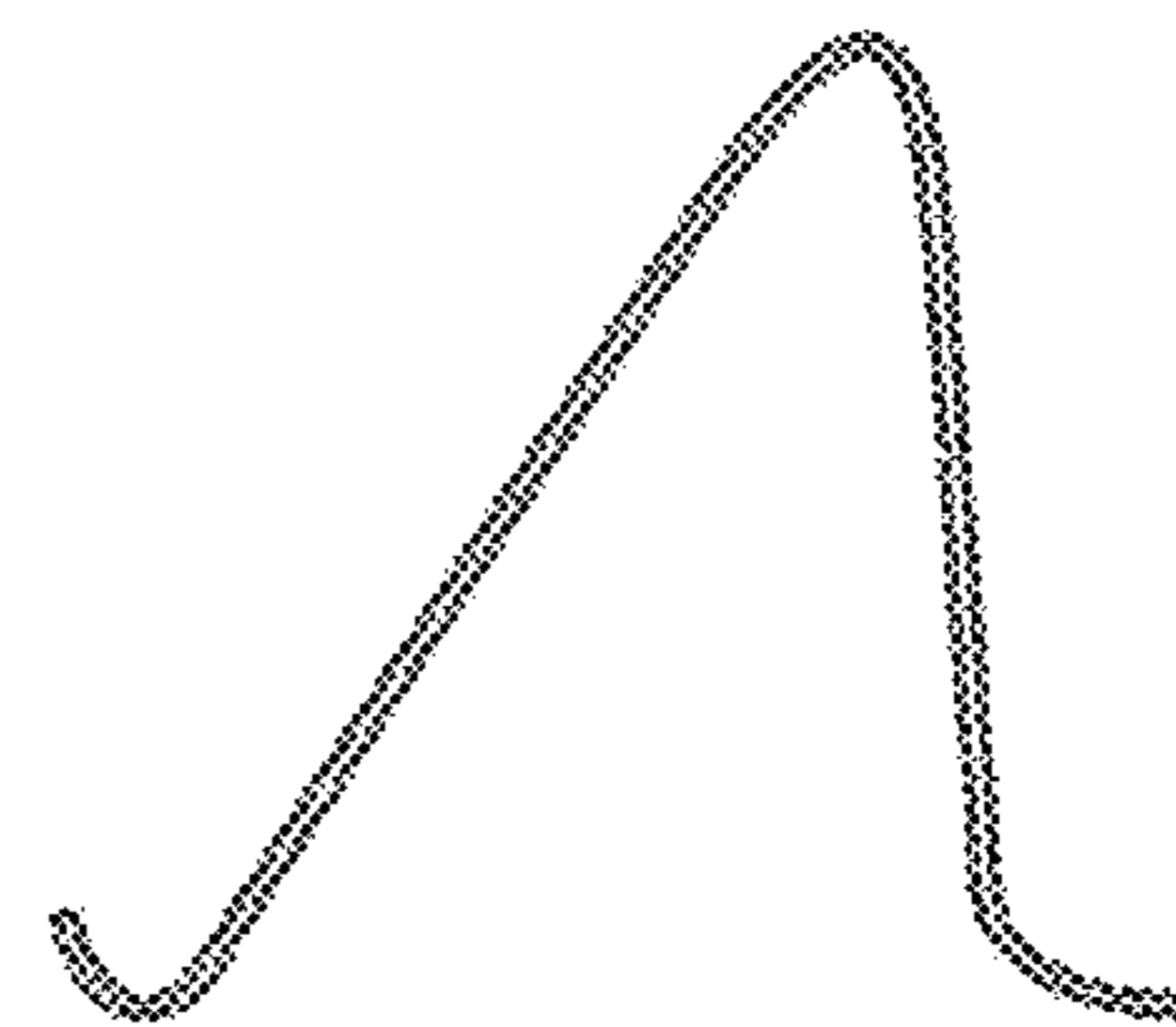
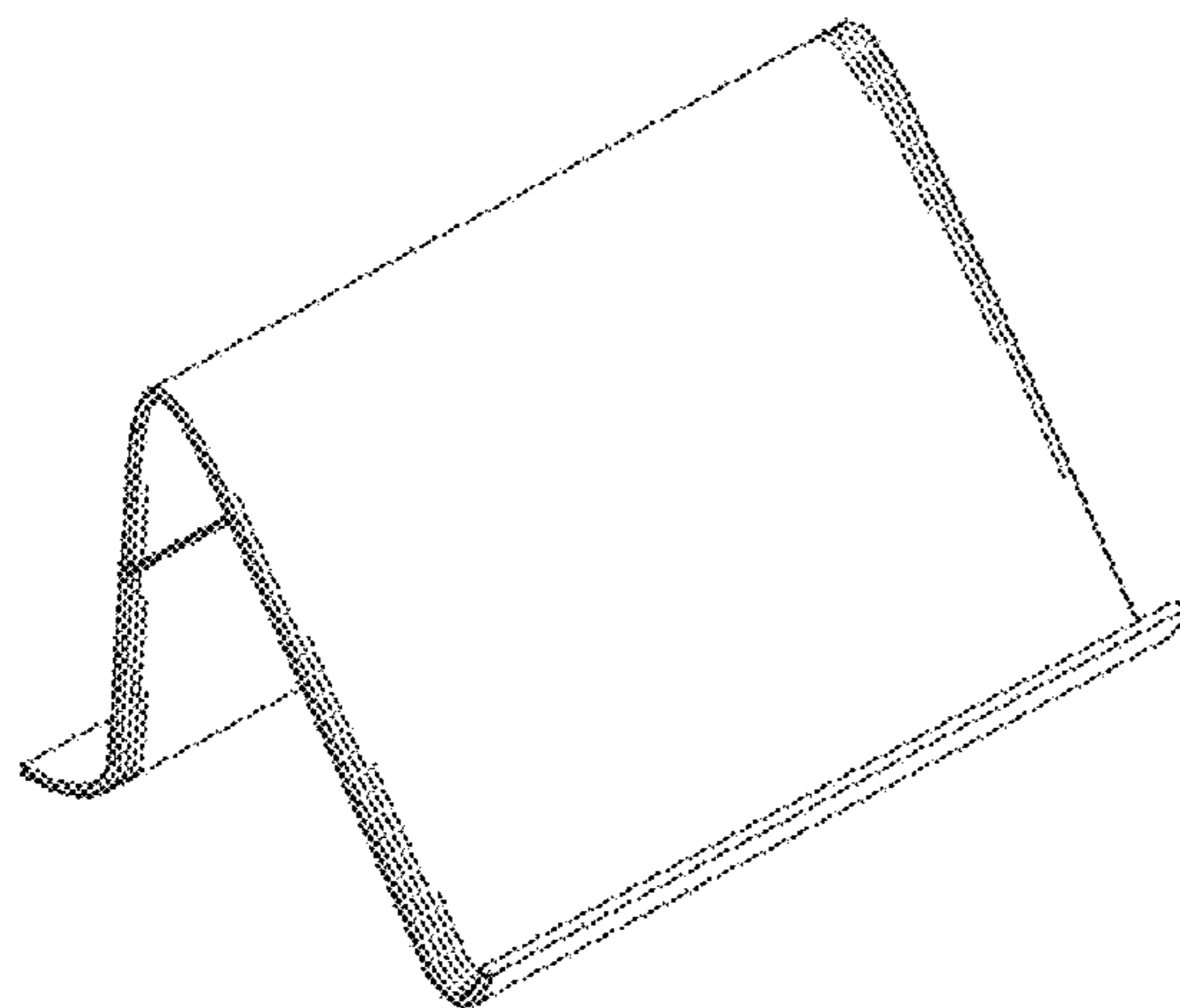
(57) **CLAIM**

The ornamental design for a supporter for portable electronic device, as shown.

DESCRIPTION

FIG. 1 is a perspective view of a supporter for portable electronic device showing our new design;
FIG. 2 is a front elevational view thereof;
FIG. 3 is a rear elevational view thereof;
FIG. 4 is a left side elevational view thereof;
FIG. 5 is a right side elevational view thereof;
FIG. 6 is a top plan view thereof; and,
FIG. 7 is a bottom plan view thereof.

1 Claim, 7 Drawing Sheets



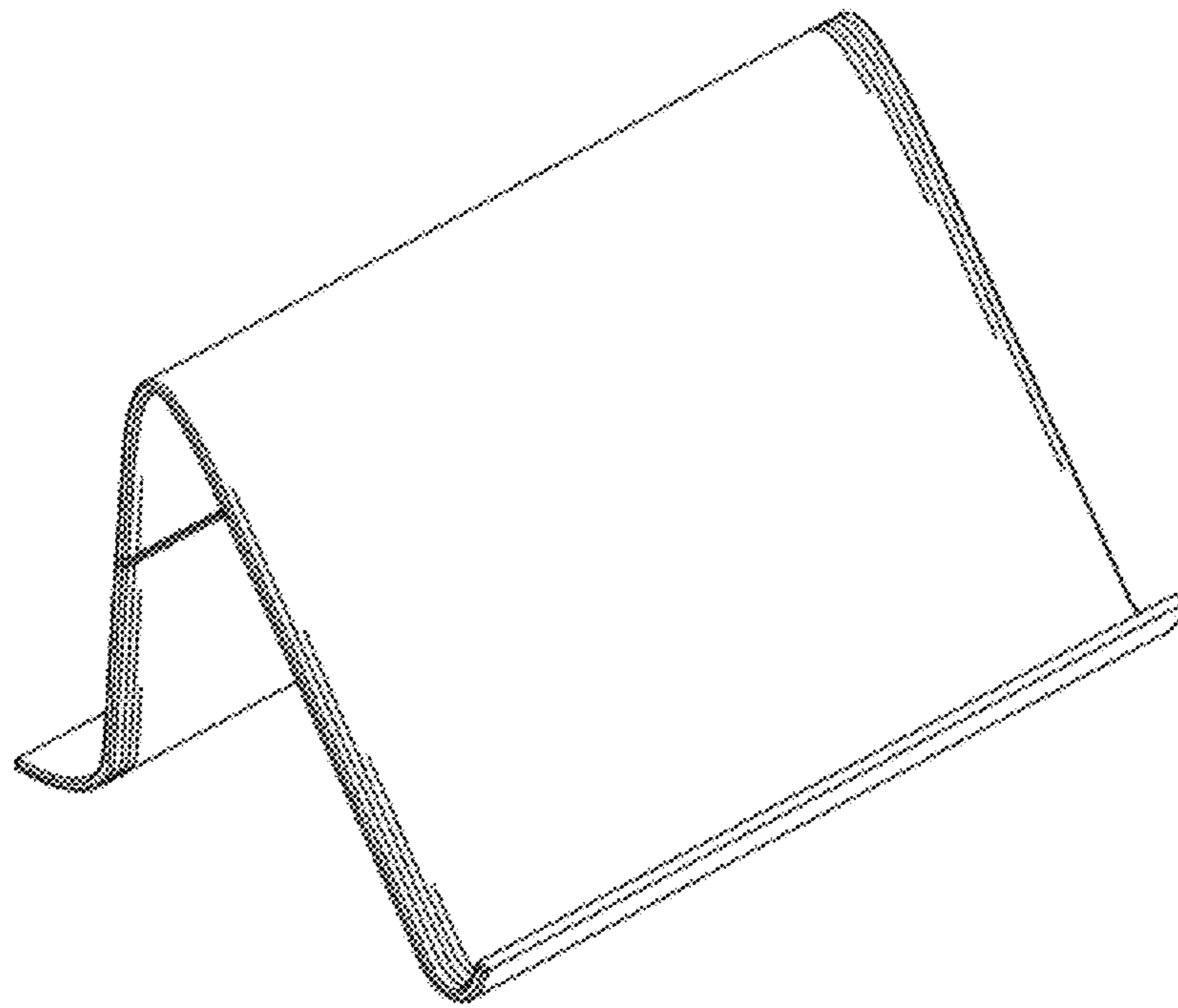


FIG. 1

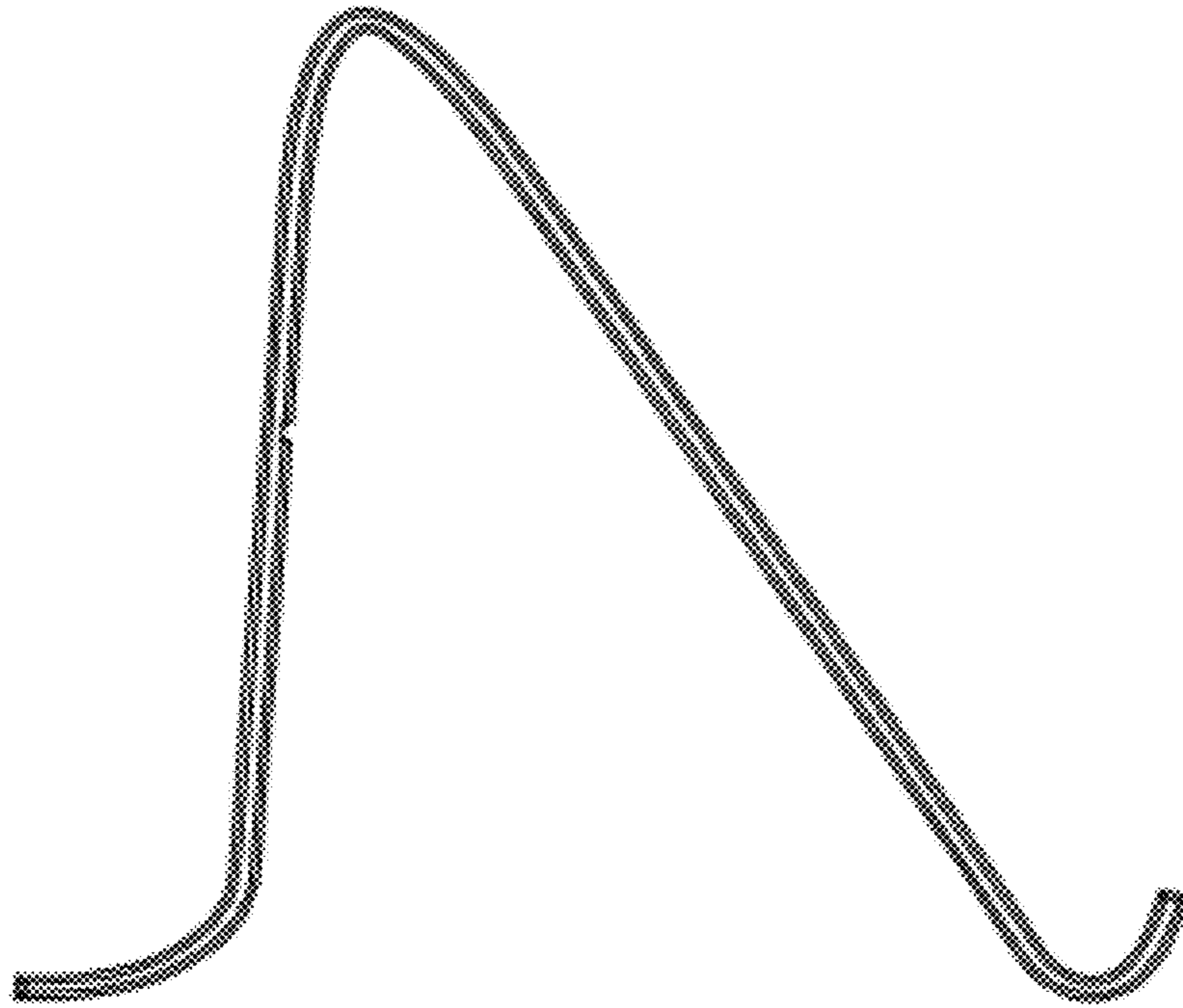


FIG. 2

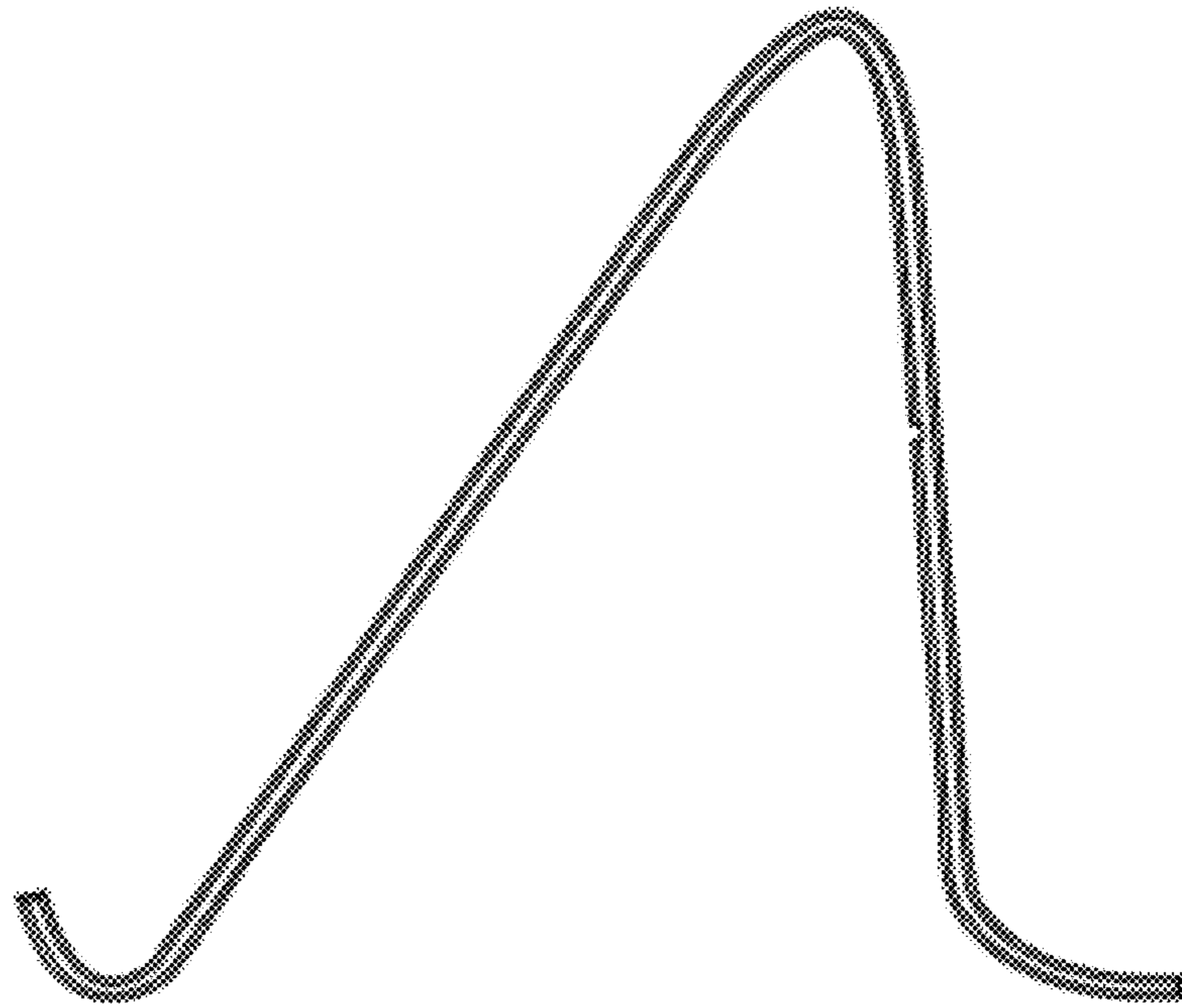


FIG. 3

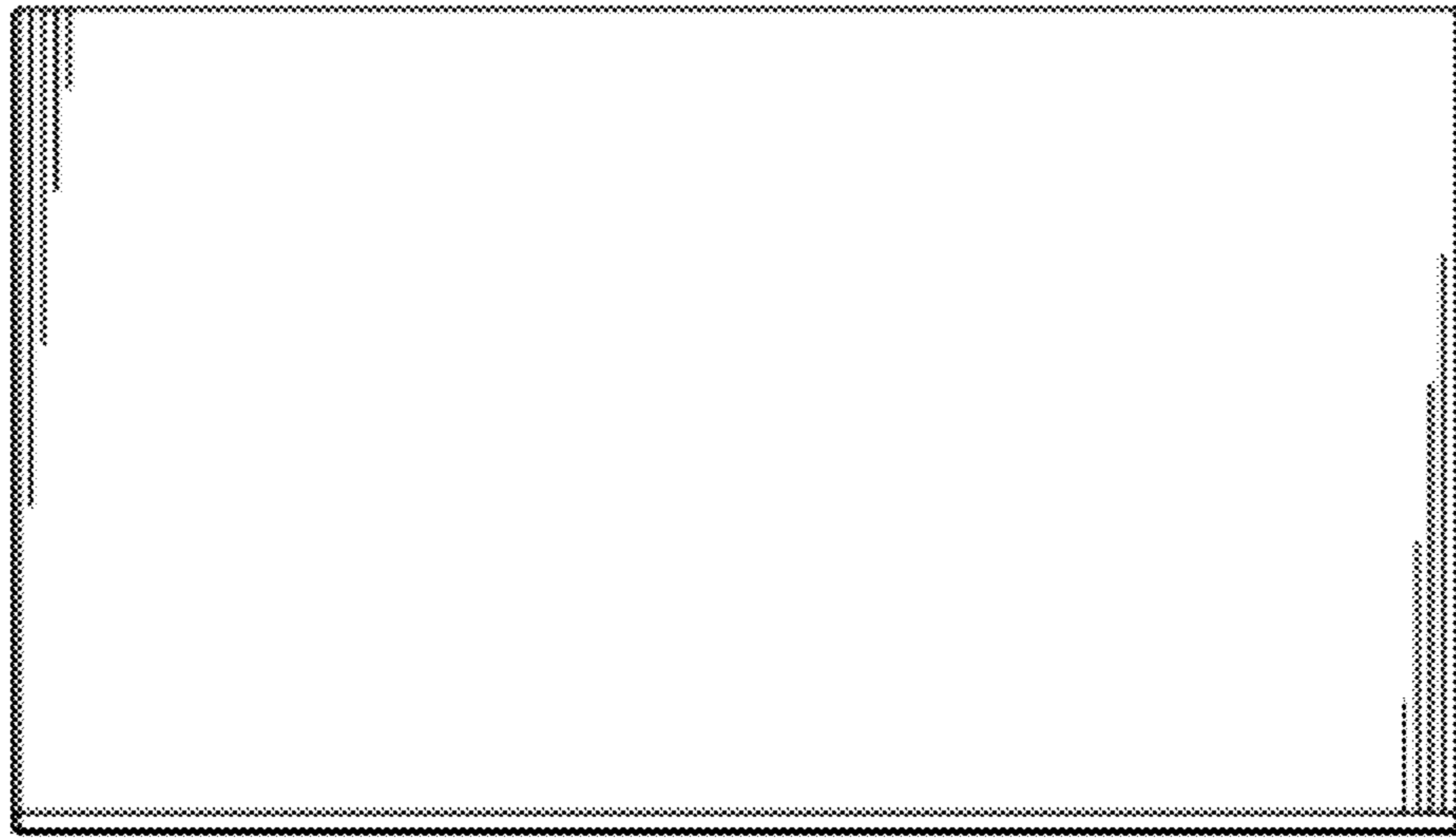


FIG. 4



FIG. 5

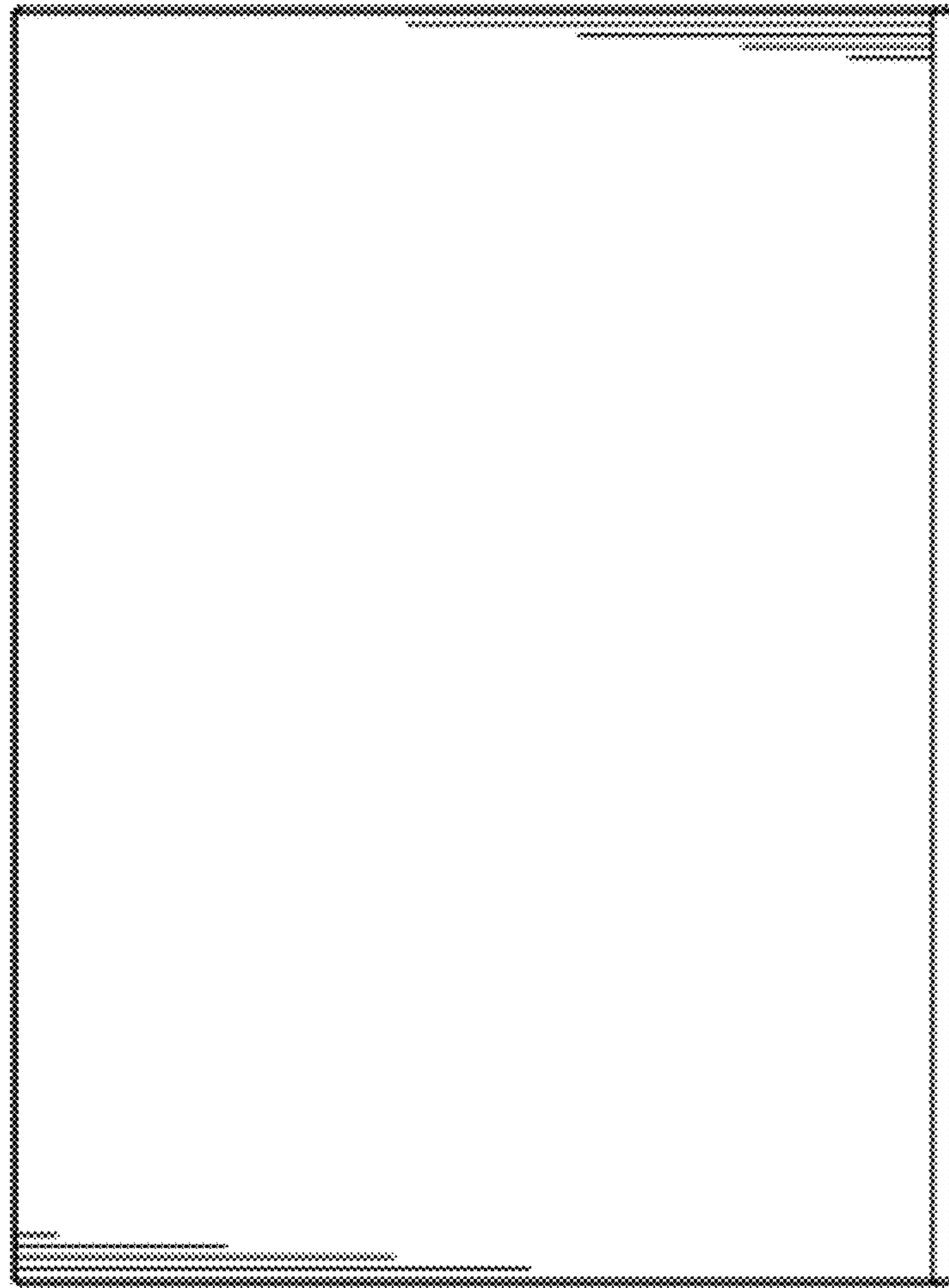


FIG. 6

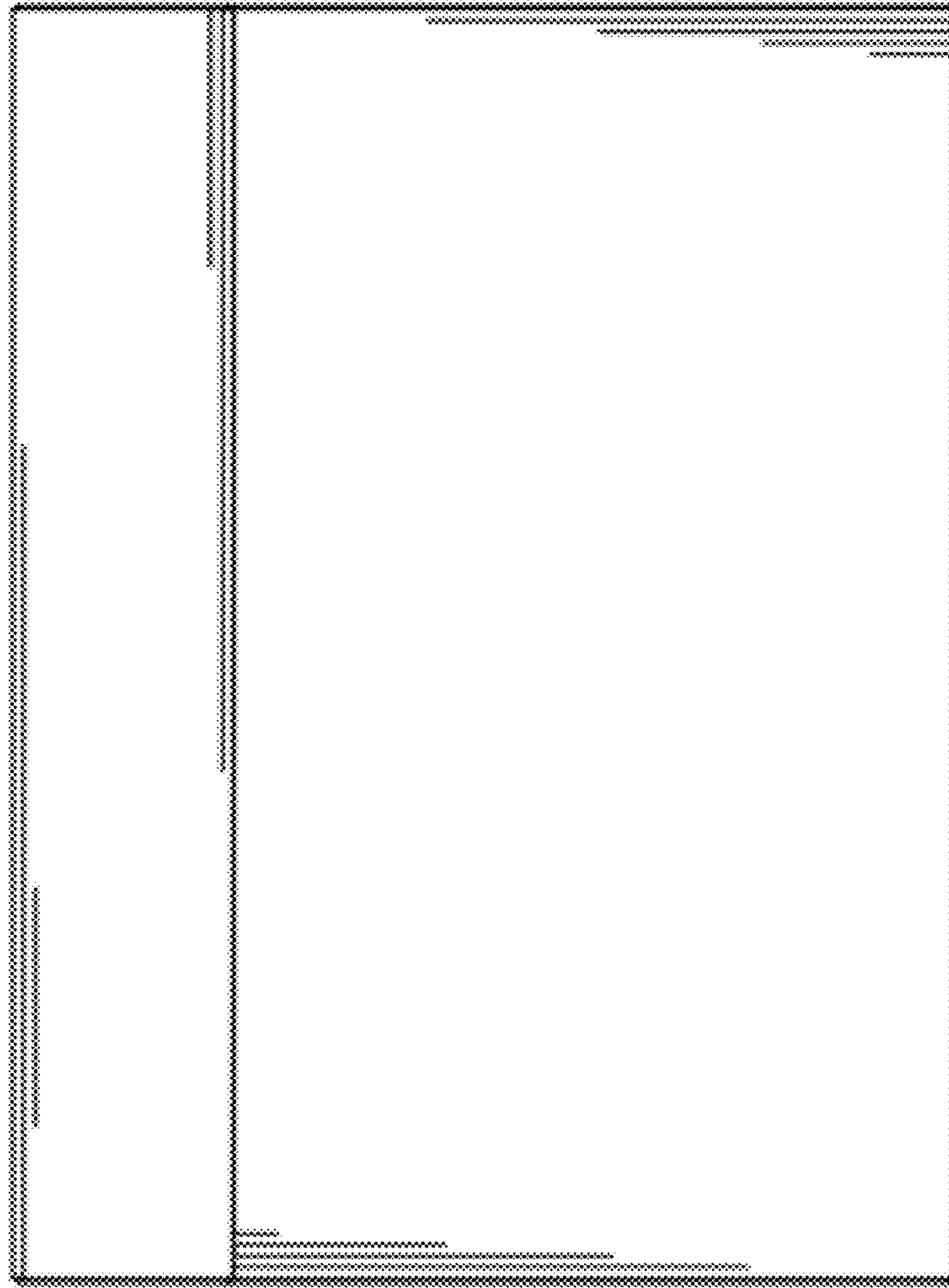


FIG. 7