



US00D666171S

(12) **United States Design Patent**
Song et al.

(10) **Patent No.:** **US D666,171 S**
(45) **Date of Patent:** **** Aug. 28, 2012**

(54) **AUDIO VISUAL DEVICE**

(75) Inventors: **Xiaofeng Song**, Beijing (CN); **Takuro Hibino**, Tokyo (JP); **Daisuke Iseki**, Tokyo (JP); **Qi Zheng**, Tokyo (JP); **Takeshi Miyazaki**, Tokyo (JP); **Akio Suzuki**, Tokyo (JP)

(73) Assignee: **Sony Corporation**, Tokyo (JP)

(**) Term: **14 Years**

(21) Appl. No.: **29/347,774**

(22) Filed: **May 28, 2010**

D436,956 S	1/2001	Goto	
D473,534 S	4/2003	Ishibashi	
D520,494 S	* 5/2006	Aiba et al.	D14/214
D525,245 S	7/2006	Goto	
D532,817 S	11/2006	Ishii	
D542,772 S	5/2007	Shimizu	
D547,748 S	* 7/2007	Tsuge	D14/211
D549,690 S	8/2007	Kimura	
D551,208 S	9/2007	Yano	
D556,185 S	11/2007	Motoishi	
D565,546 S	4/2008	Han et al.	
D568,315 S	5/2008	Yano	
D568,316 S	5/2008	Yano	
D578,997 S	10/2008	Takuma	
D583,360 S	12/2008	Gredler	
D596,156 S	7/2009	Morisawa	

* cited by examiner

Related U.S. Application Data

(63) Continuation of application No. 29/311,720, filed on Jun. 4, 2009, now Pat. No. Des. 617,313.

Primary Examiner — Prabhakar Deshmukh

(74) *Attorney, Agent, or Firm* — Rader, Fishman & Grauer PLLC

(30) **Foreign Application Priority Data**

Dec. 5, 2008	(CN)	2008 3 0351483
Dec. 5, 2008	(CN)	2008 3 0351484
Dec. 5, 2008	(CN)	2008 3 0351485
Dec. 5, 2008	(CN)	2008 3 0351487
Dec. 26, 2008	(JP)	D2008-033065
Jan. 15, 2009	(CN)	2009 3 0000711
Jan. 19, 2009	(EM)	001071856-0003

(51) **LOC (9) Cl.** **14-01**

(52) **U.S. Cl.** **D14/214**

(58) **Field of Classification Search** D14/204,
D14/210–216, 172, 496, 349, 354, 356, 358;
181/143–144, 147–148, 150–153, 157, 198–199;
381/300–303, 306, 332–333, 336, 345, 361–364,
381/386–388

See application file for complete search history.

(56) **References Cited**

U.S. PATENT DOCUMENTS

D372,918 S	8/1996	Manganese et al.
D389,480 S	1/1998	Niitsu
D403,320 S	12/1998	Niitsu

(57) **CLAIM**

The ornamental design for an audio visual device, as shown and described.

DESCRIPTION

FIG. 1 is a perspective view of an audio visual device showing our new design:

FIG. 2 is a front elevational view thereof;

FIG. 3 is a left side elevational view thereof;

FIG. 4 is a right side elevational view thereof;

FIG. 5 is a top plan view thereof; and

FIG. 6 is a perspective view of another embodiment of an audio visual device (a speaker box) showing our new design;

FIG. 7 is a front elevational view thereof;

FIG. 8 is a left side elevational view thereof;

FIG. 9 is a right side elevational view thereof; and,

FIG. 10 is a top plan view thereof.

Portions in broken lines are for illustrative purposes only and form no part of claimed design. Dot-dash broken lines define the boundaries of, but not included in, the claimed design.

1 Claim, 8 Drawing Sheets

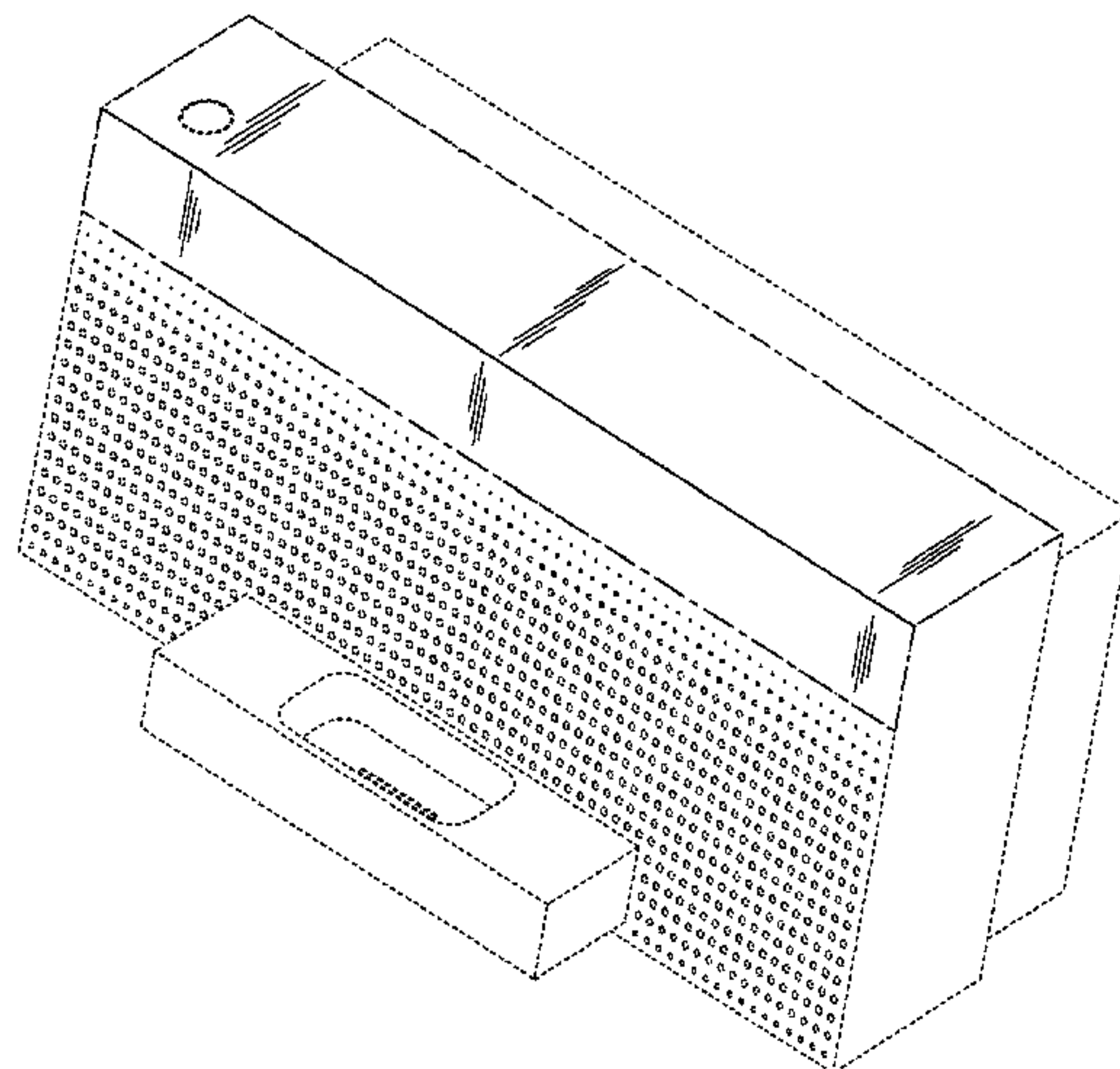


FIG.1

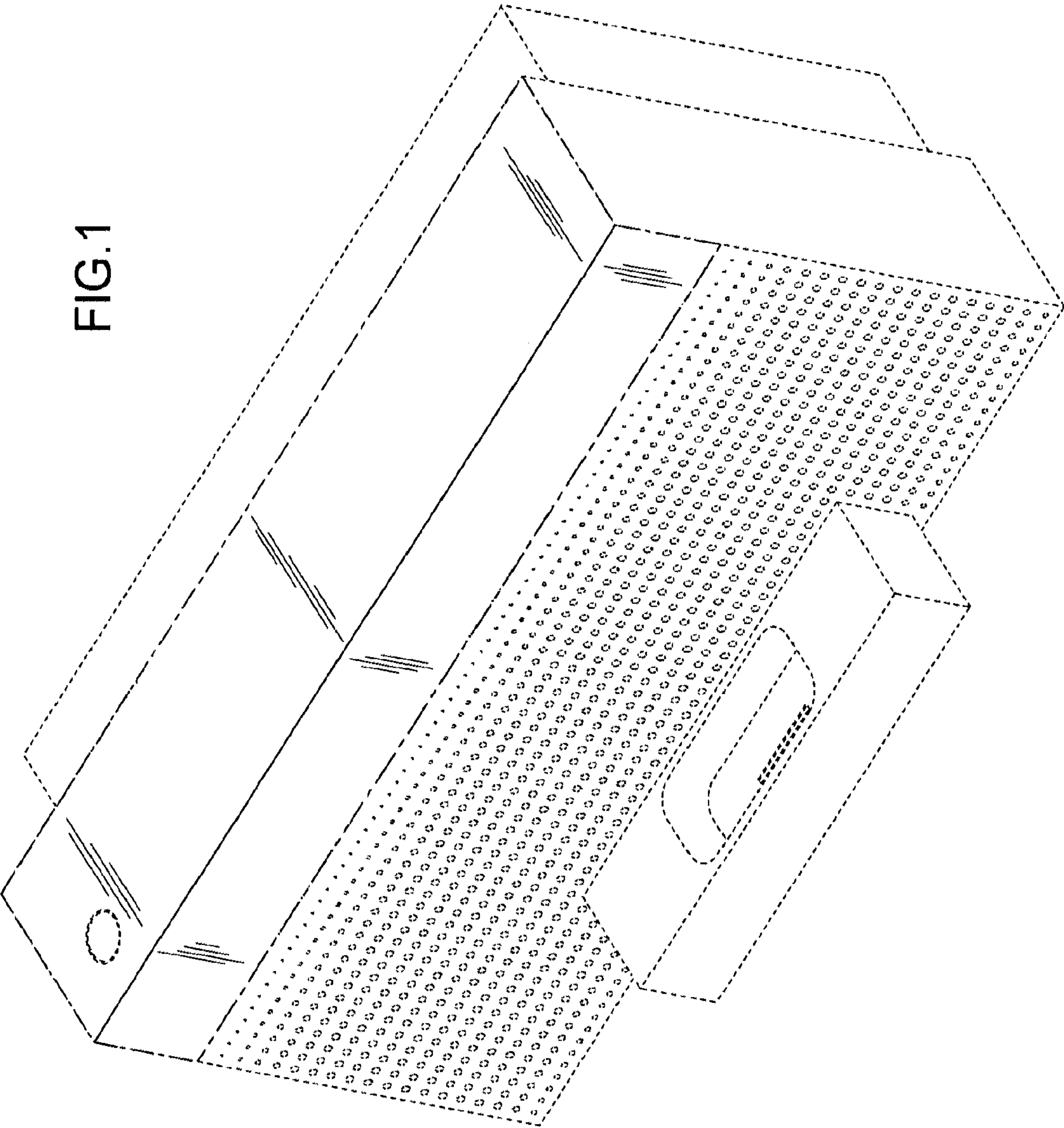


FIG.2

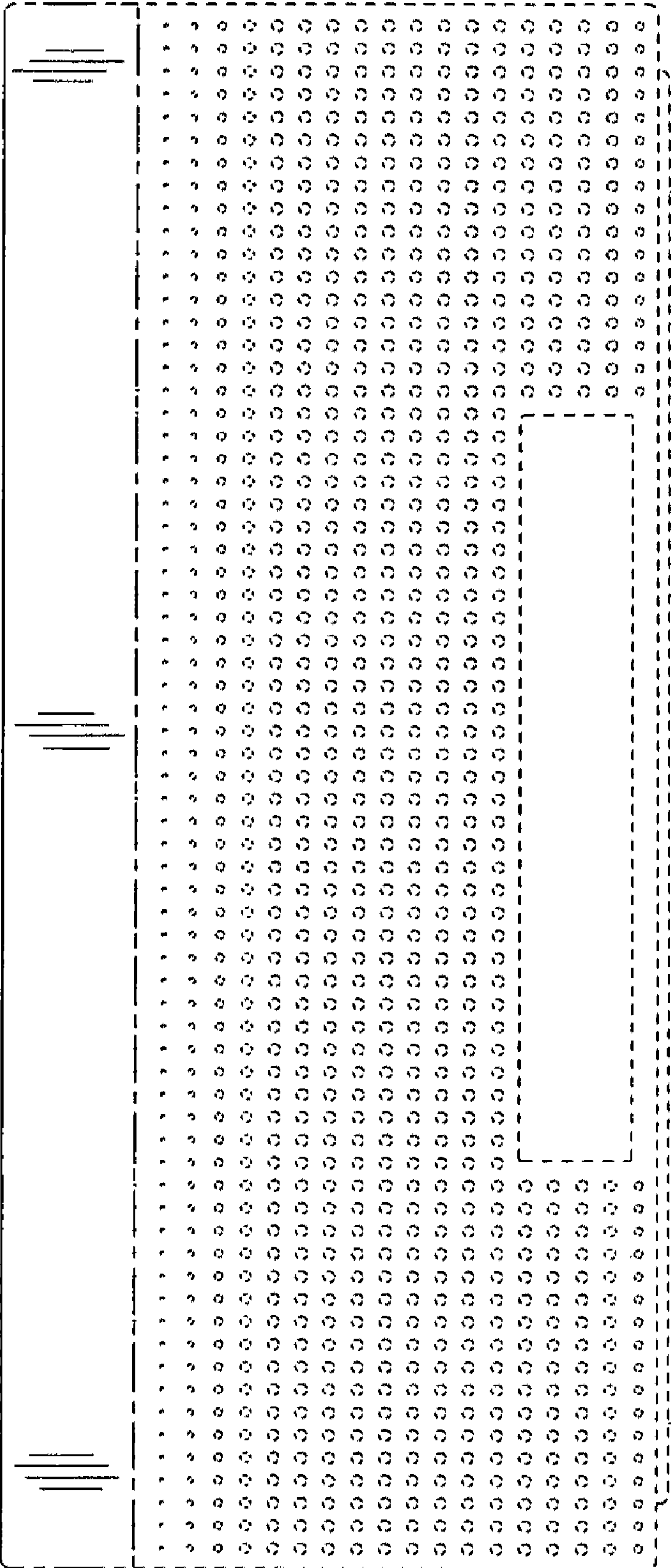


FIG.4

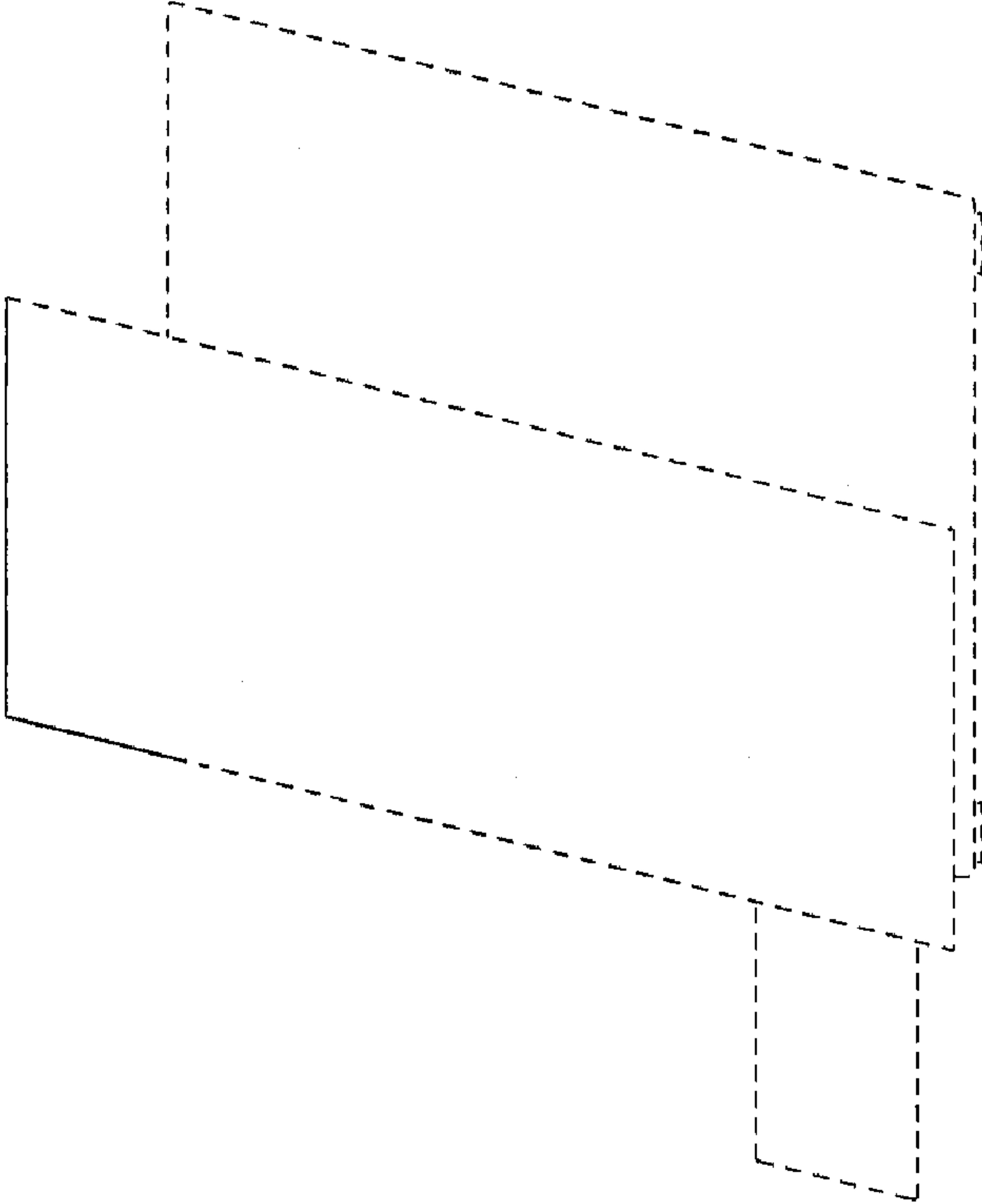


FIG.3

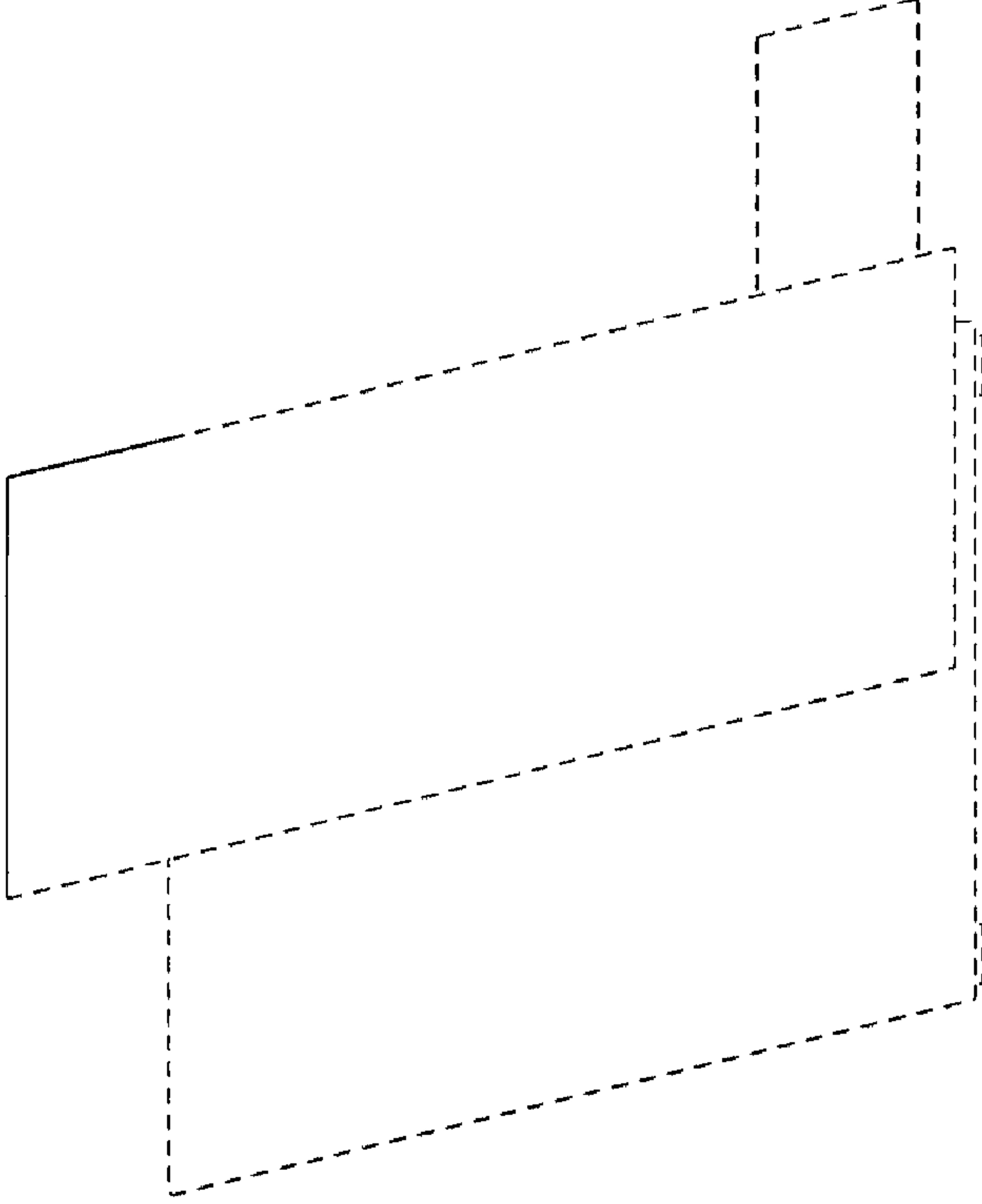


FIG. 5

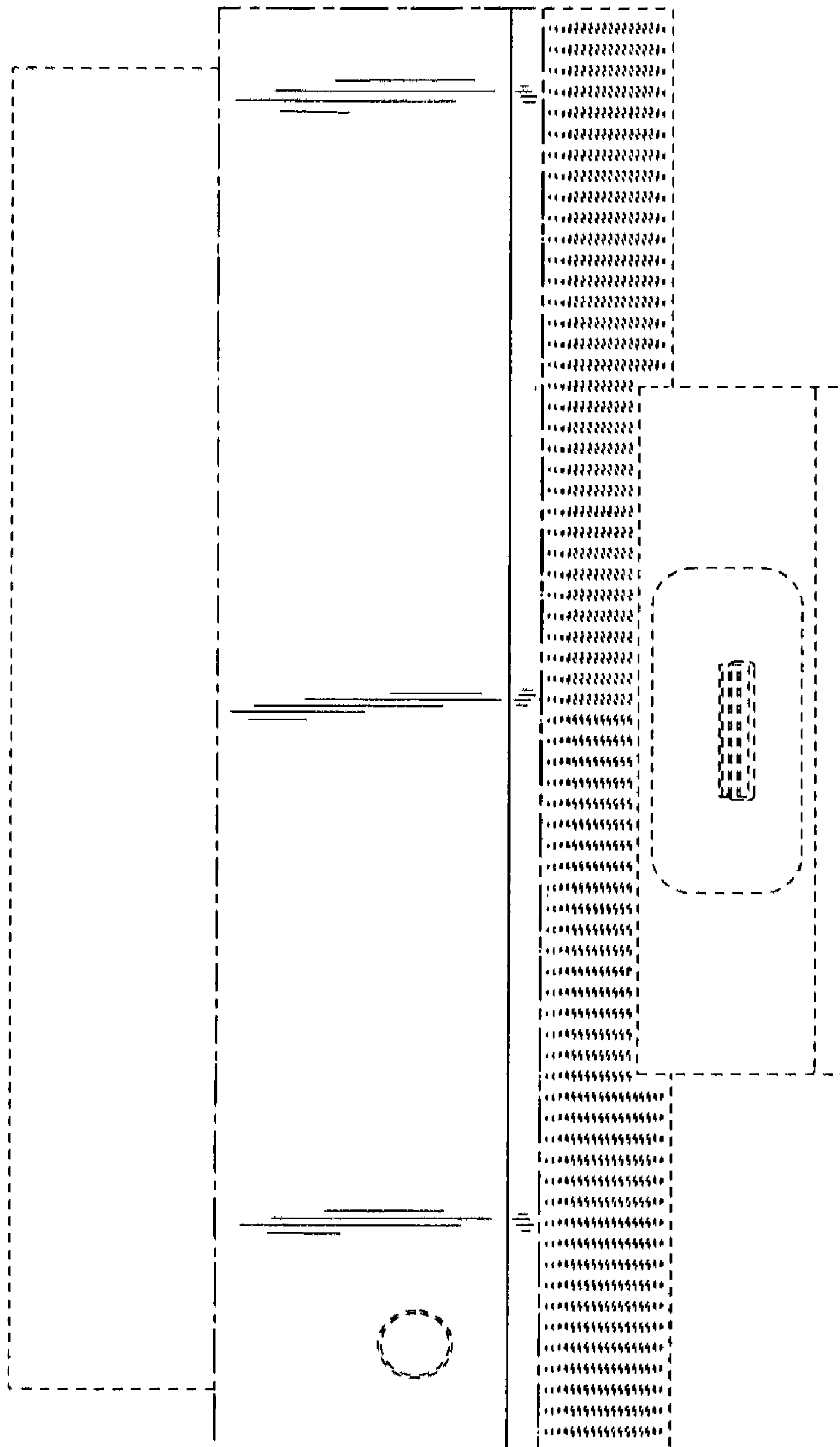


FIG.6

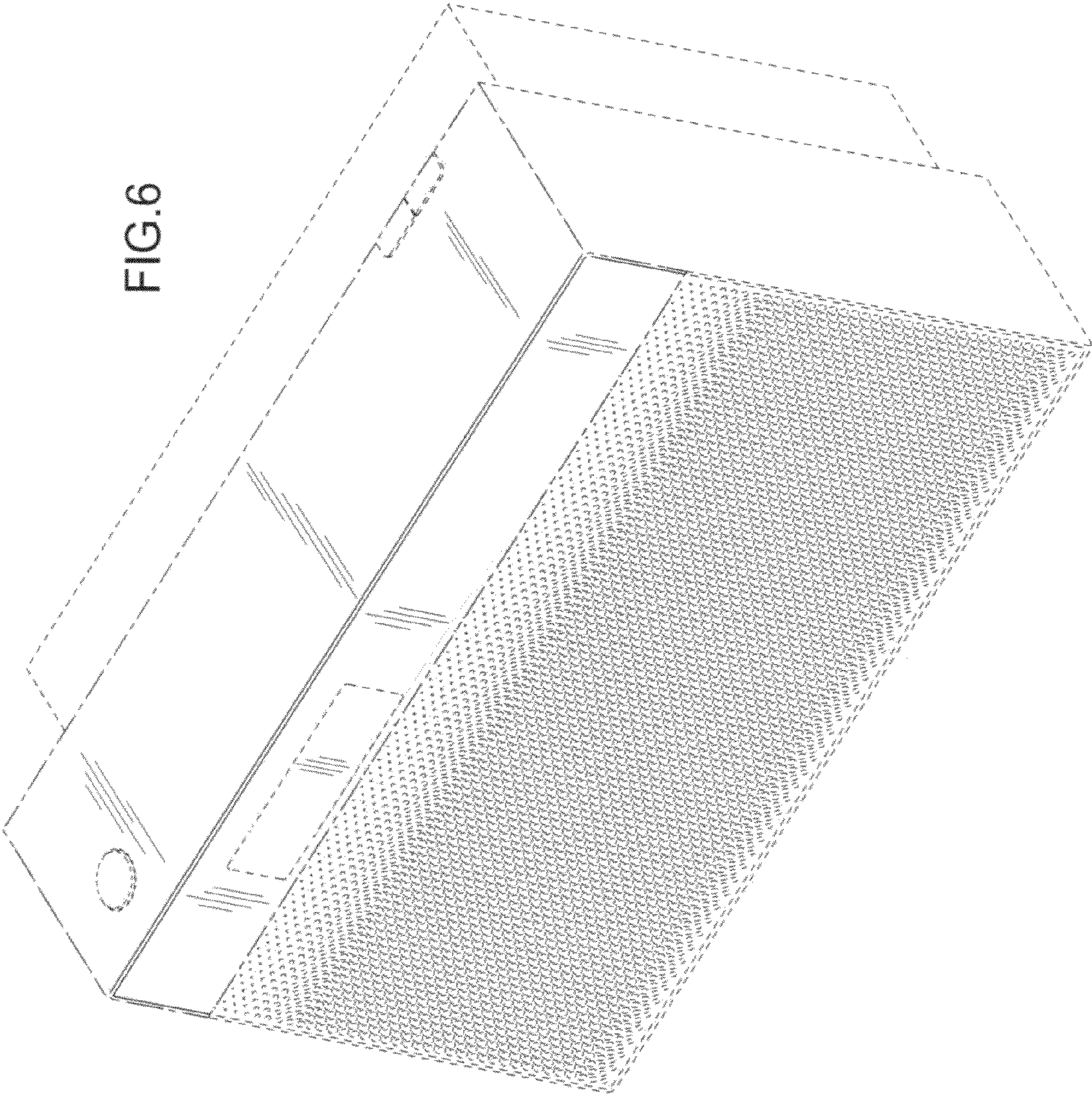


FIG.7

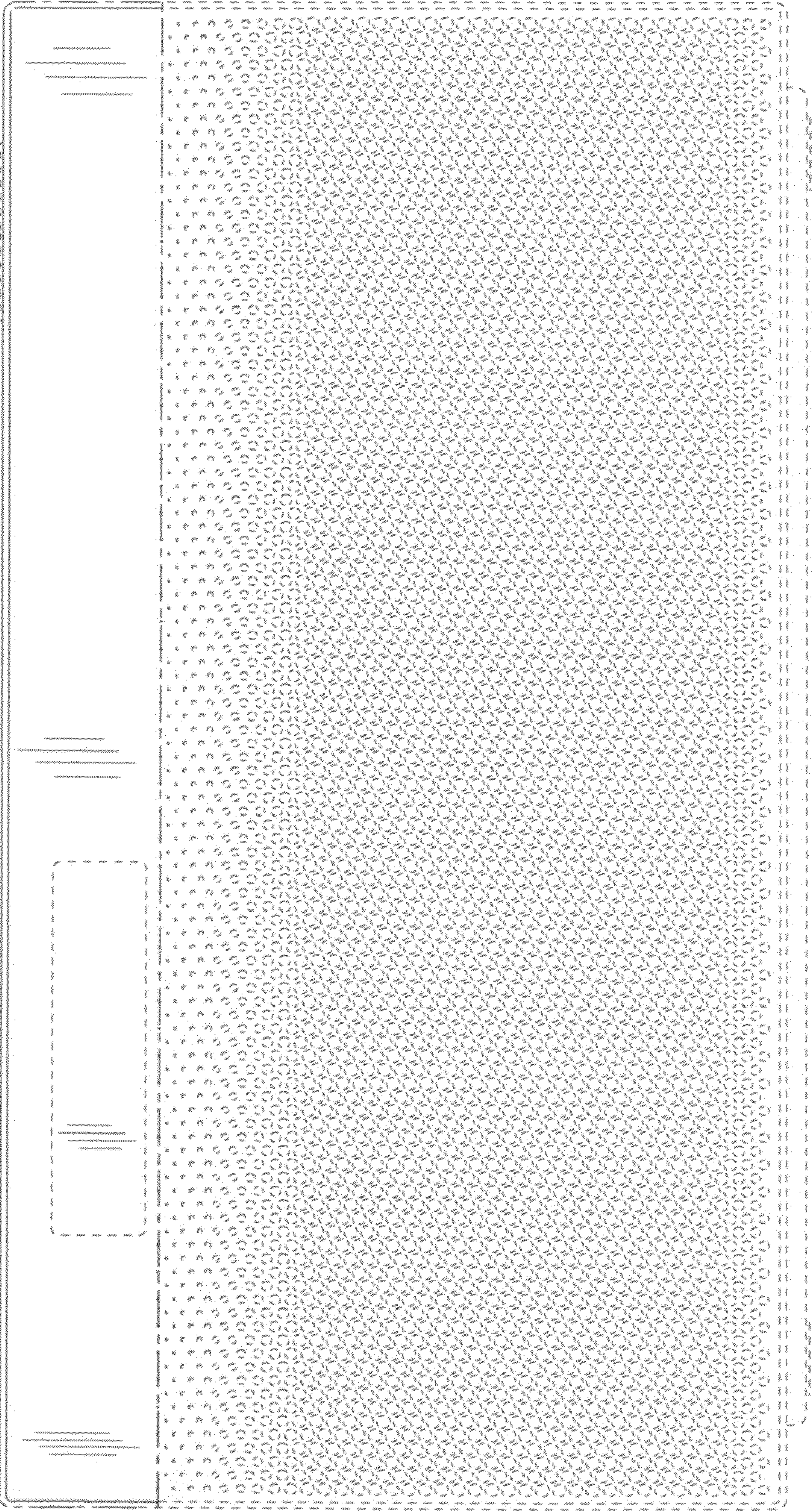


FIG.9

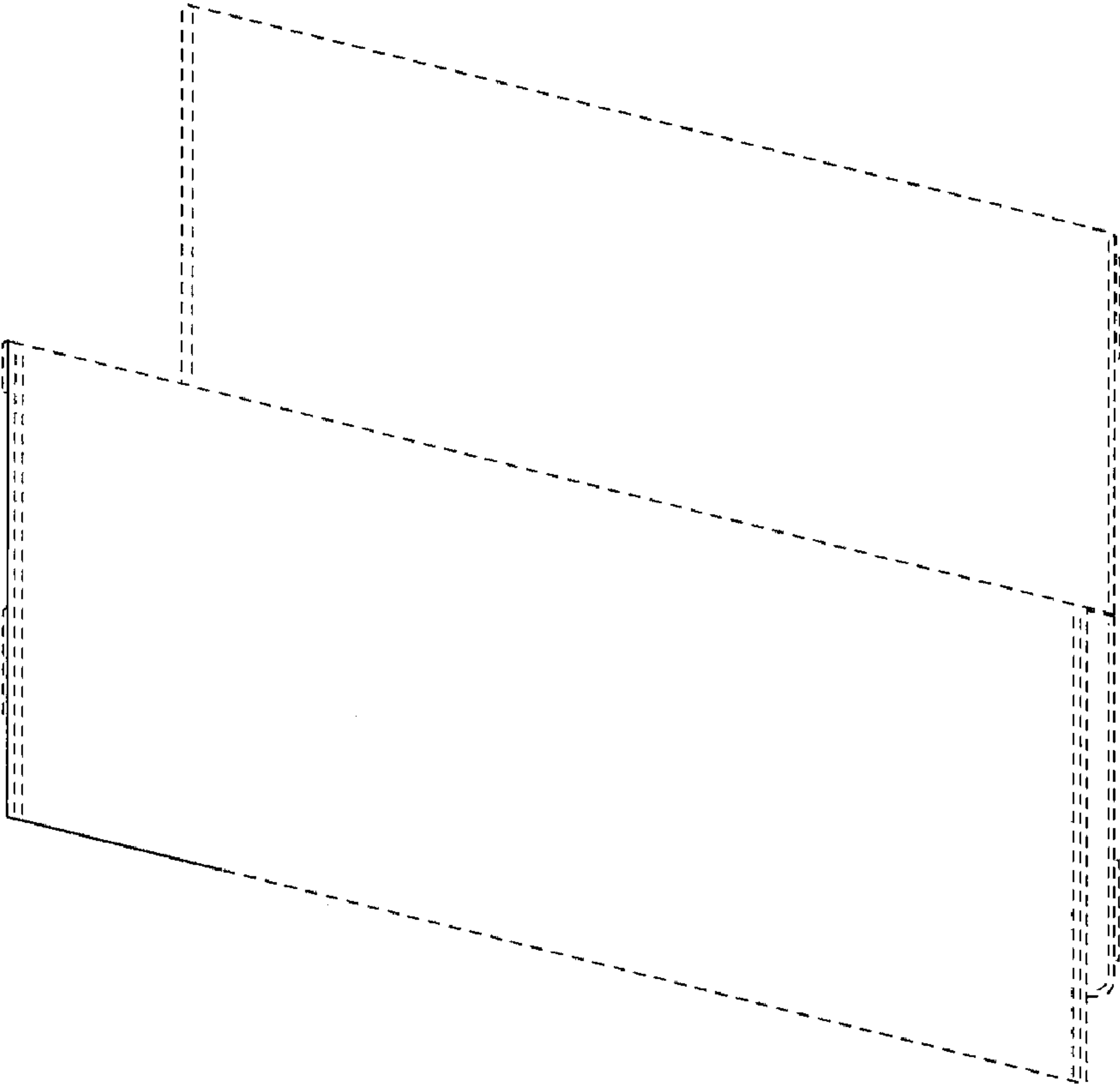


FIG.8

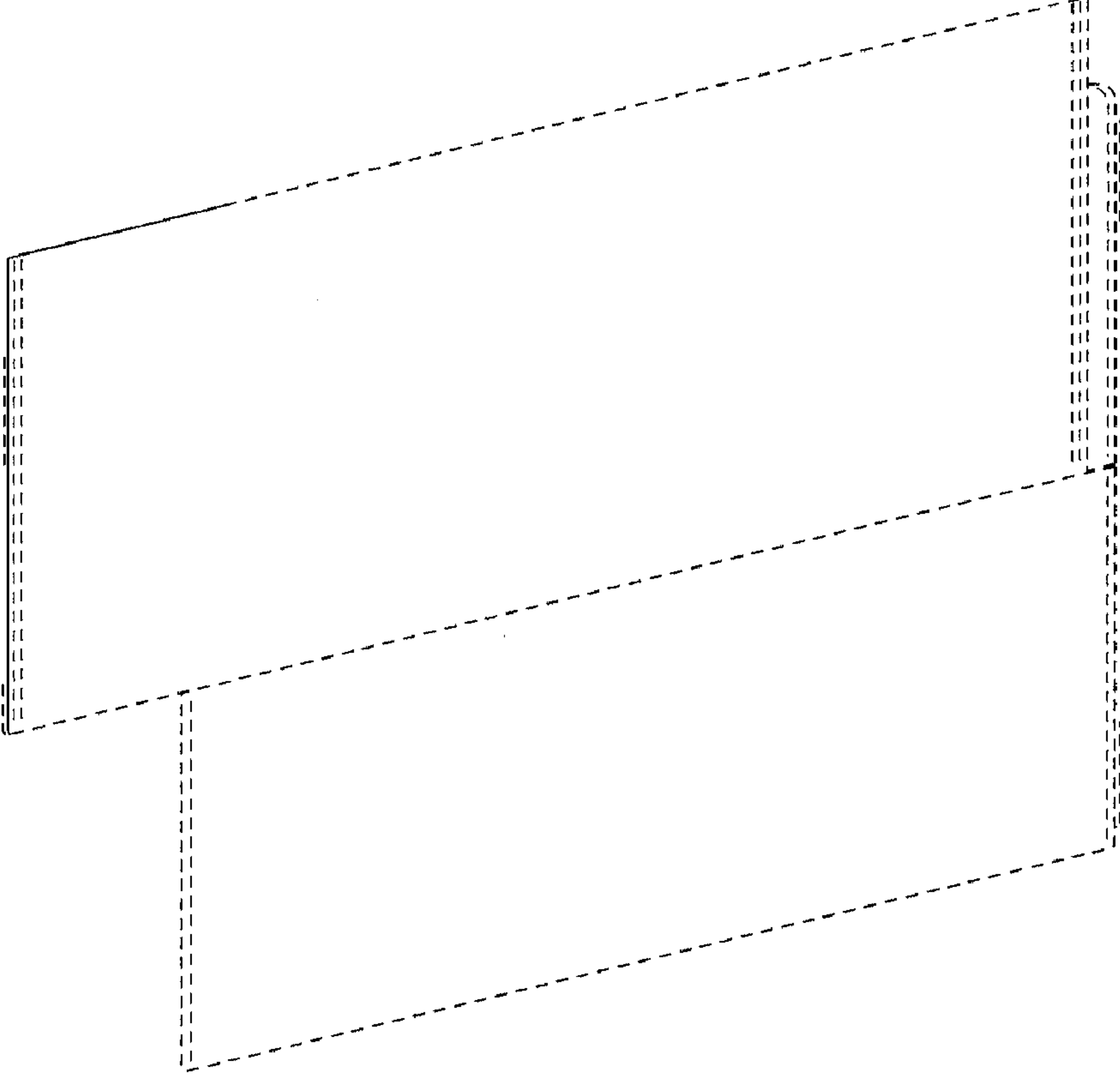


FIG.10

