

US00D666169S

(12) **United States Design Patent**
Tucker et al.

(10) **Patent No.:** **US D666,169 S**

(45) **Date of Patent:** **** Aug. 28, 2012**

(54) **MONITORING EARBUD**

(75) Inventors: **Jesse Berkley Tucker**, Knightdale, NC
(US); **Allen Wendell Moore**, Cary, NC
(US)

(73) Assignee: **Valencell, Inc.**, Raleigh, NC (US)

(**) Term: **14 Years**

(21) Appl. No.: **29/403,770**

(22) Filed: **Oct. 11, 2011**

(51) **LOC (9) Cl.** **14-01**

(52) **U.S. Cl.** **D14/206**

(58) **Field of Classification Search** D14/205,
D14/206, 223; 181/129, 130, 135; 379/430,
379/431; 381/330, 380, 381, 370; 455/90.3,
455/575.2

See application file for complete search history.

(56) **References Cited**

U.S. PATENT DOCUMENTS

466,725	A *	1/1892	Miltimore	381/330
1,953,437	A *	4/1934	Schier	181/135
2,513,985	A *	7/1950	Woodruff et al.	381/372
2,535,258	A *	12/1950	Bland	181/135
2,939,923	A *	6/1960	Henderson	381/330
3,440,365	A *	4/1969	Hazell et al.	379/430
3,791,430	A *	2/1974	Hood et al.	144/368
4,429,194	A *	1/1984	Kamon et al.	381/380
4,443,668	A *	4/1984	Warren	455/351
5,210,792	A *	5/1993	Kajihara	379/430
D488,461	S *	4/2004	Okada et al.	D14/223
D498,227	S *	11/2004	Dyer et al.	D14/205
D508,479	S *	8/2005	Okada	D14/206

D521,492	S *	5/2006	Ham	D14/205
D597,084	S *	7/2009	Gondo	D14/223
7,708,110	B2 *	5/2010	Leong et al.	181/135
D635,960	S *	4/2011	Gondo et al.	D14/223
7,965,855	B1 *	6/2011	Ham	381/380
8,059,845	B2 *	11/2011	Bryant	381/324
8,111,861	B2 *	2/2012	Lowry	381/380
D657,347	S *	4/2012	Chung et al.	D14/206

* cited by examiner

Primary Examiner — Paula Greene

(74) *Attorney, Agent, or Firm* — Myers Bigel Sibley & Sajovec, P.A.

(57) **CLAIM**

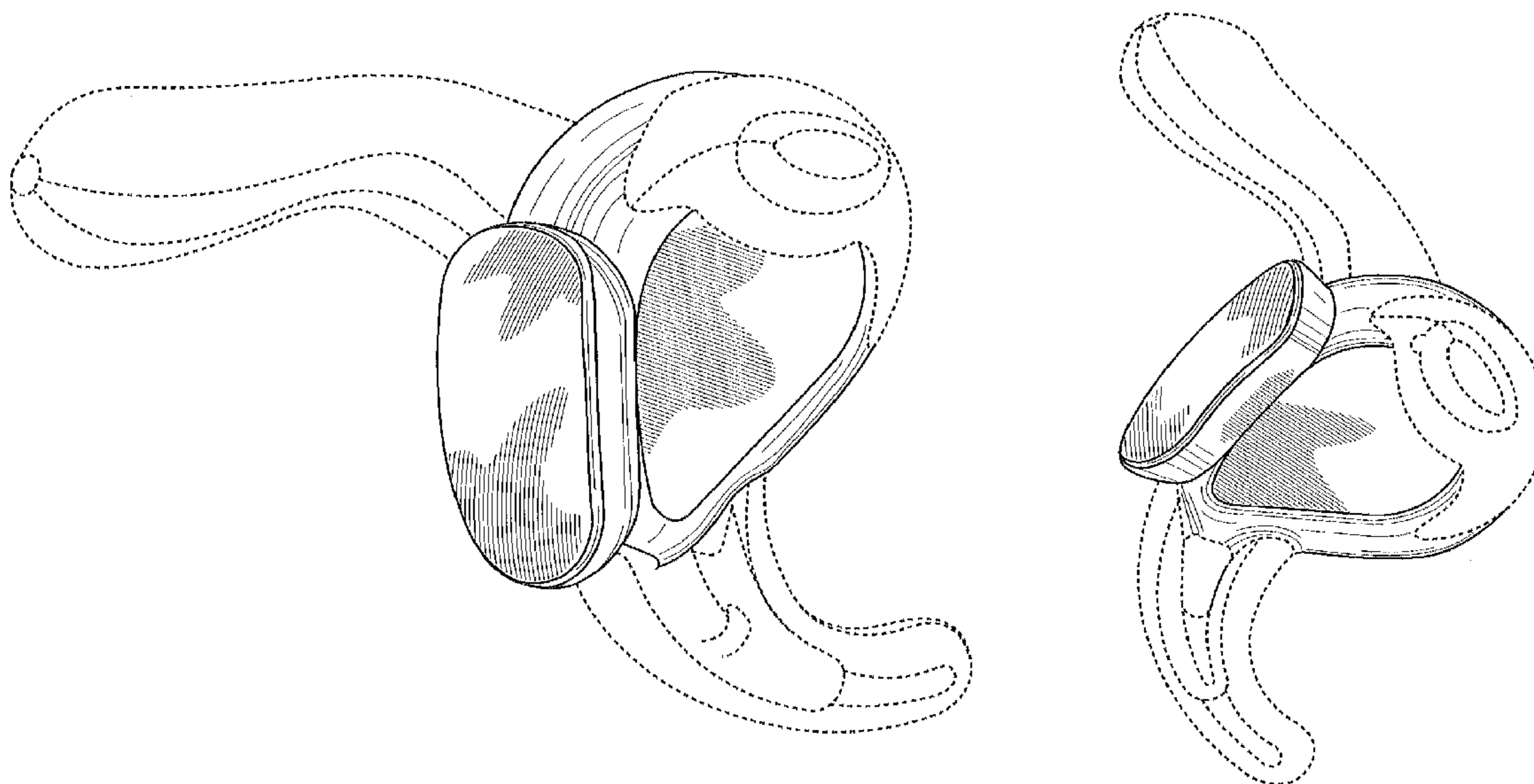
The ornamental design for a monitoring earbud, as shown and described.

DESCRIPTION

FIG. 1 is a front perspective view of a monitoring earbud, showing our new design;
FIG. 2 is a rear perspective view thereof;
FIG. 3 is a rear plan view thereof;
FIG. 4 is a first side view thereof;
FIG. 5 is a front plan view thereof, opposite that shown in FIG. 3;
FIG. 6 is a second side view thereof, opposite that shown in FIG. 4;
FIG. 7 is a third side view thereof; and,
FIG. 8 is a fourth side view thereof, opposite that shown in FIG. 7.

The broken lines shown herein are for illustrative purposes only and form no part of the claimed design.

1 Claim, 3 Drawing Sheets



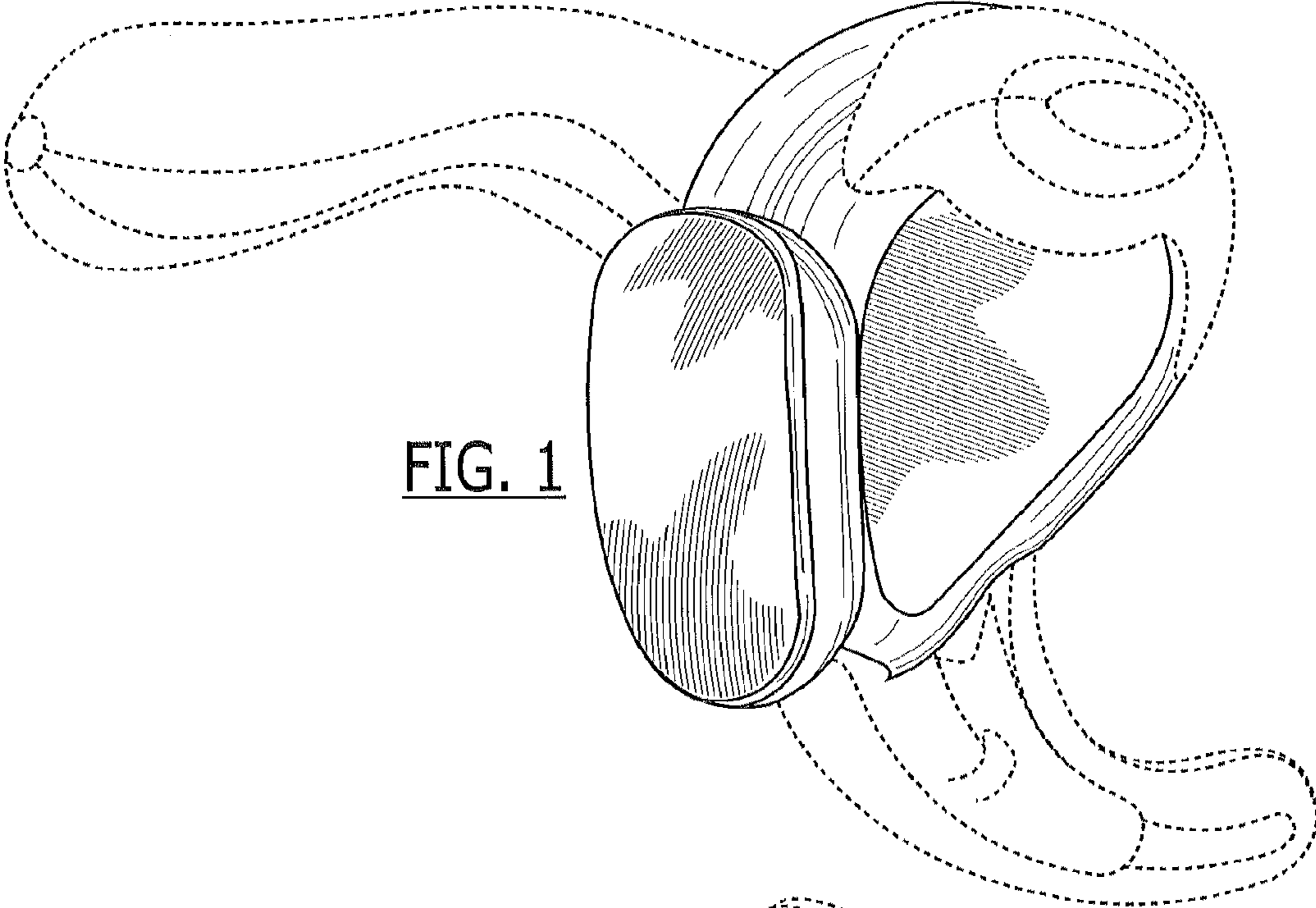


FIG. 1

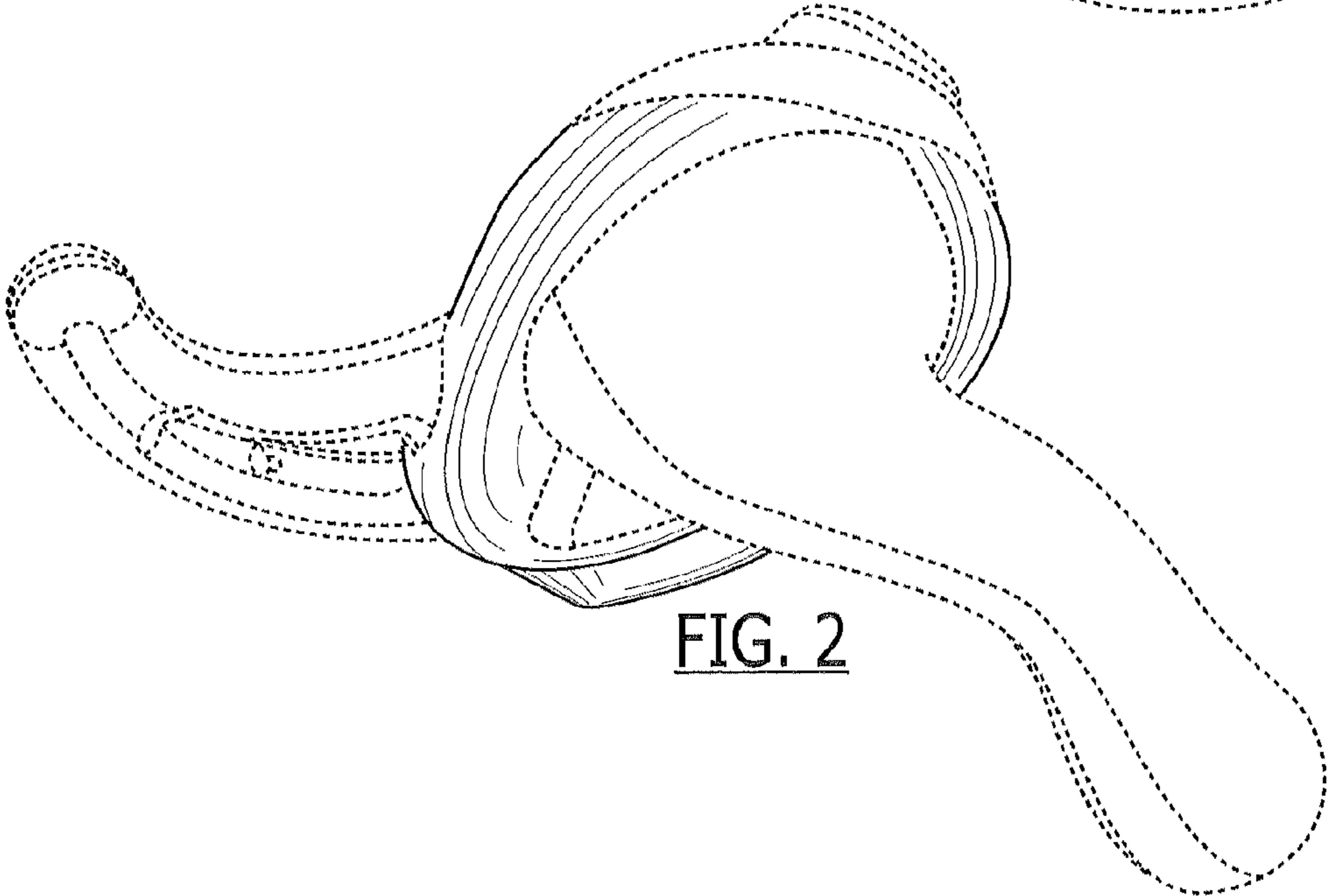


FIG. 2

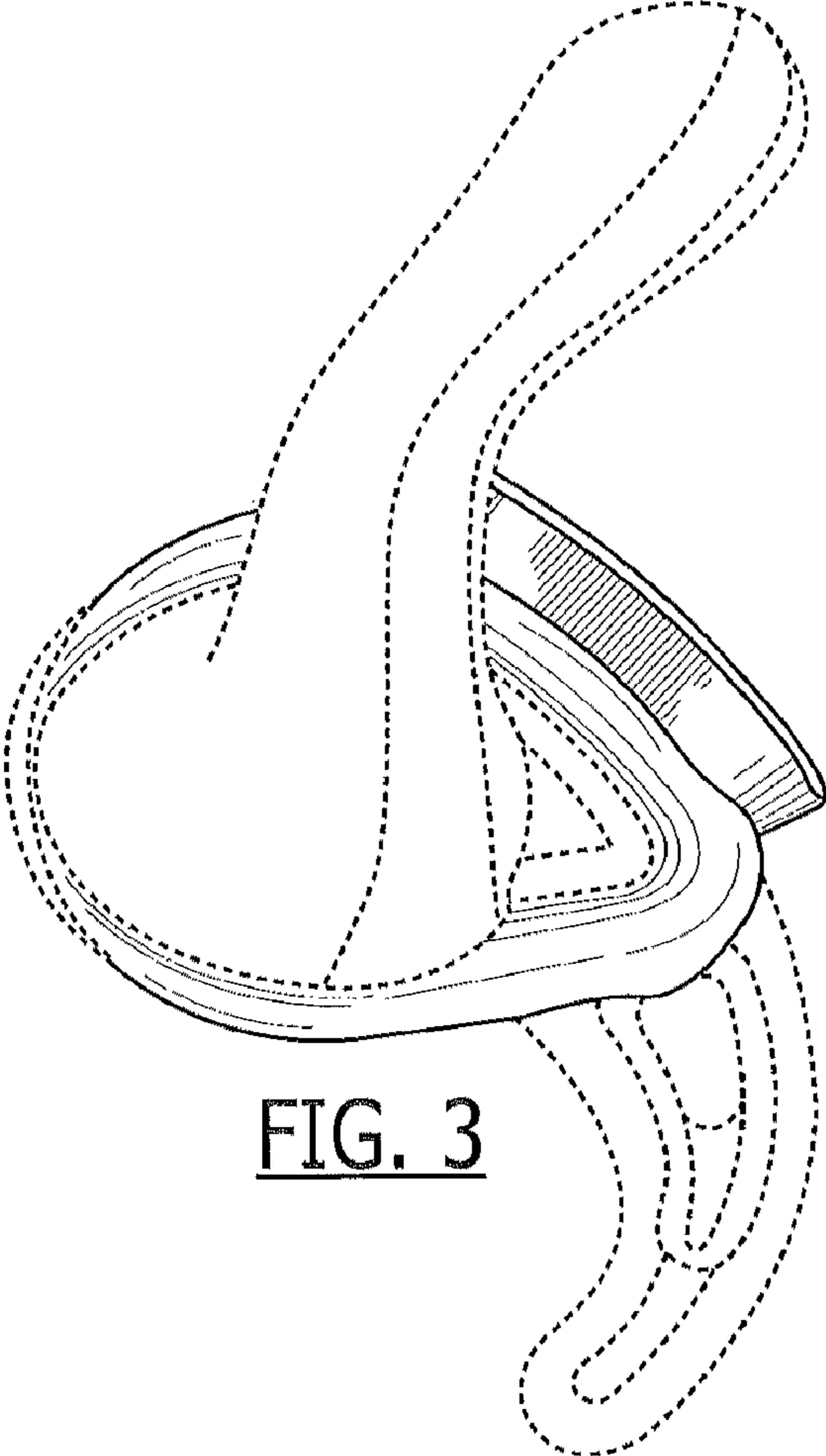


FIG. 3

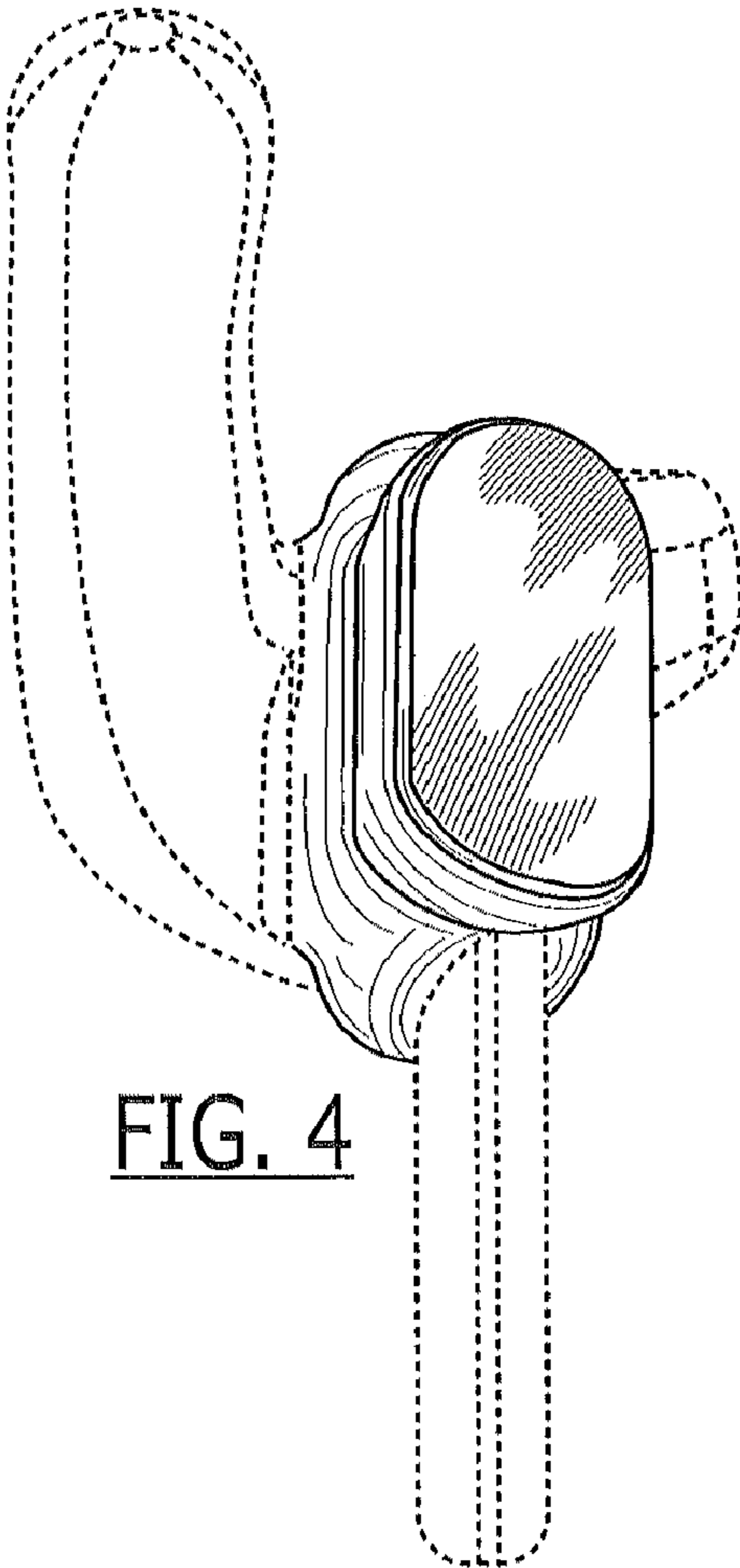


FIG. 4

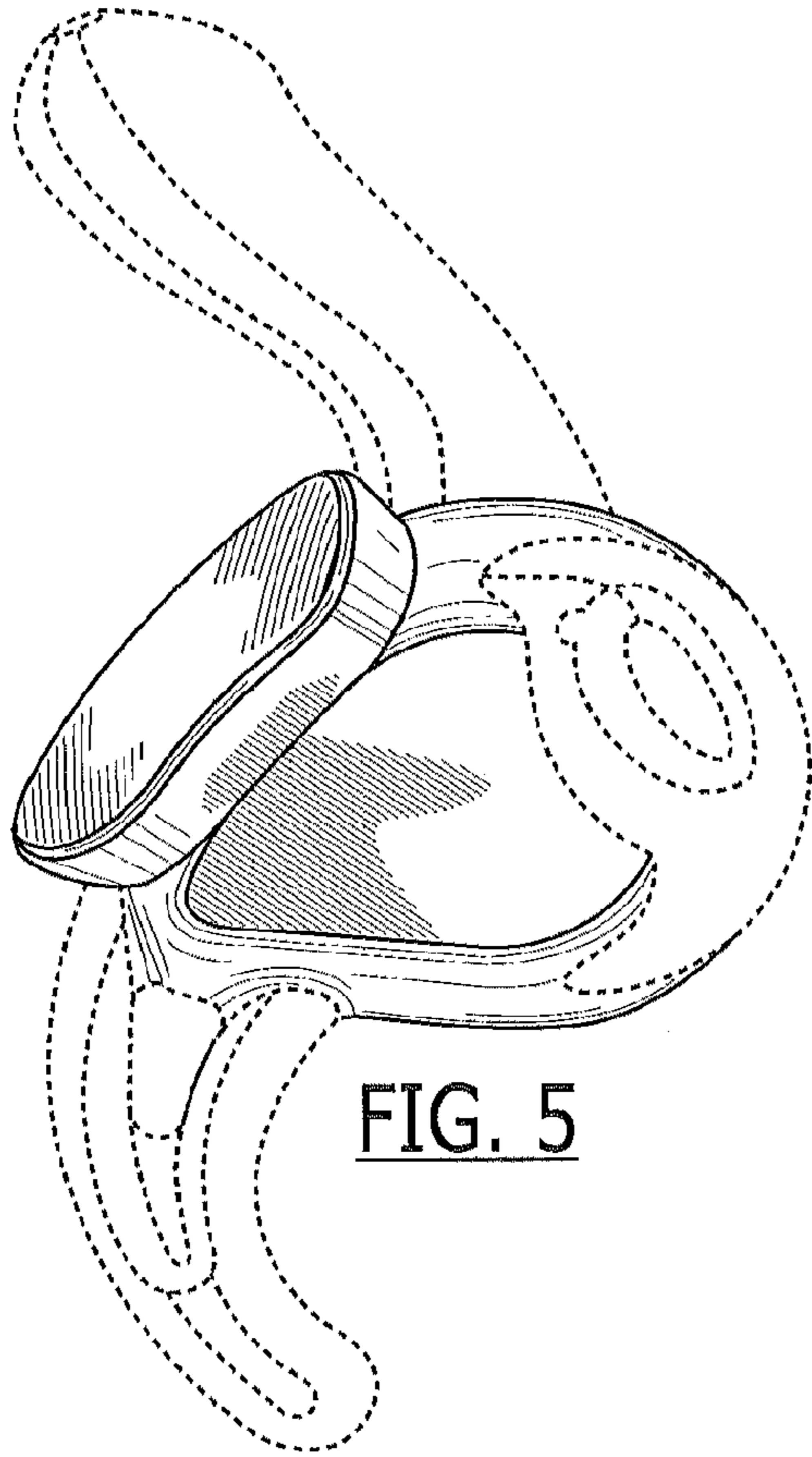


FIG. 5

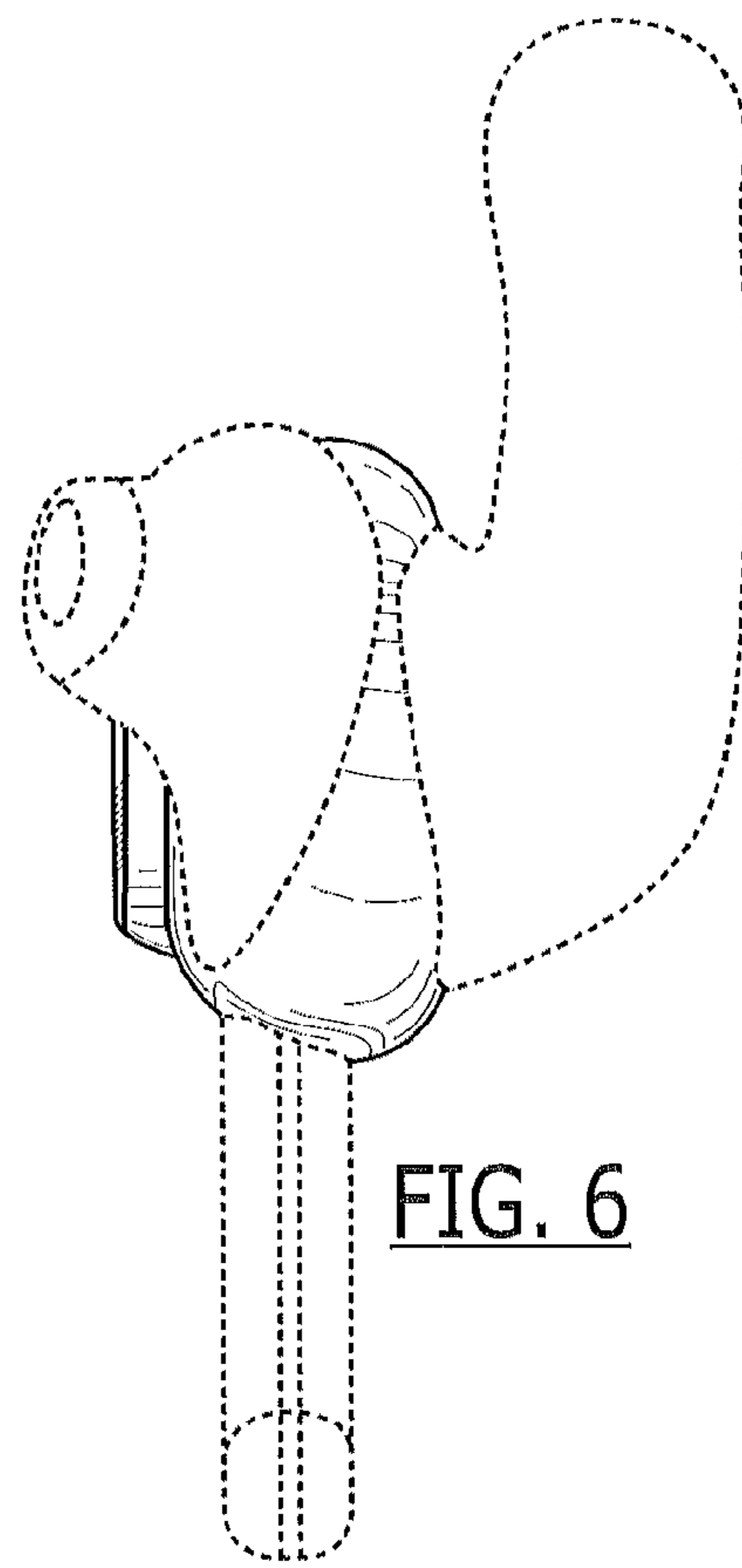


FIG. 6

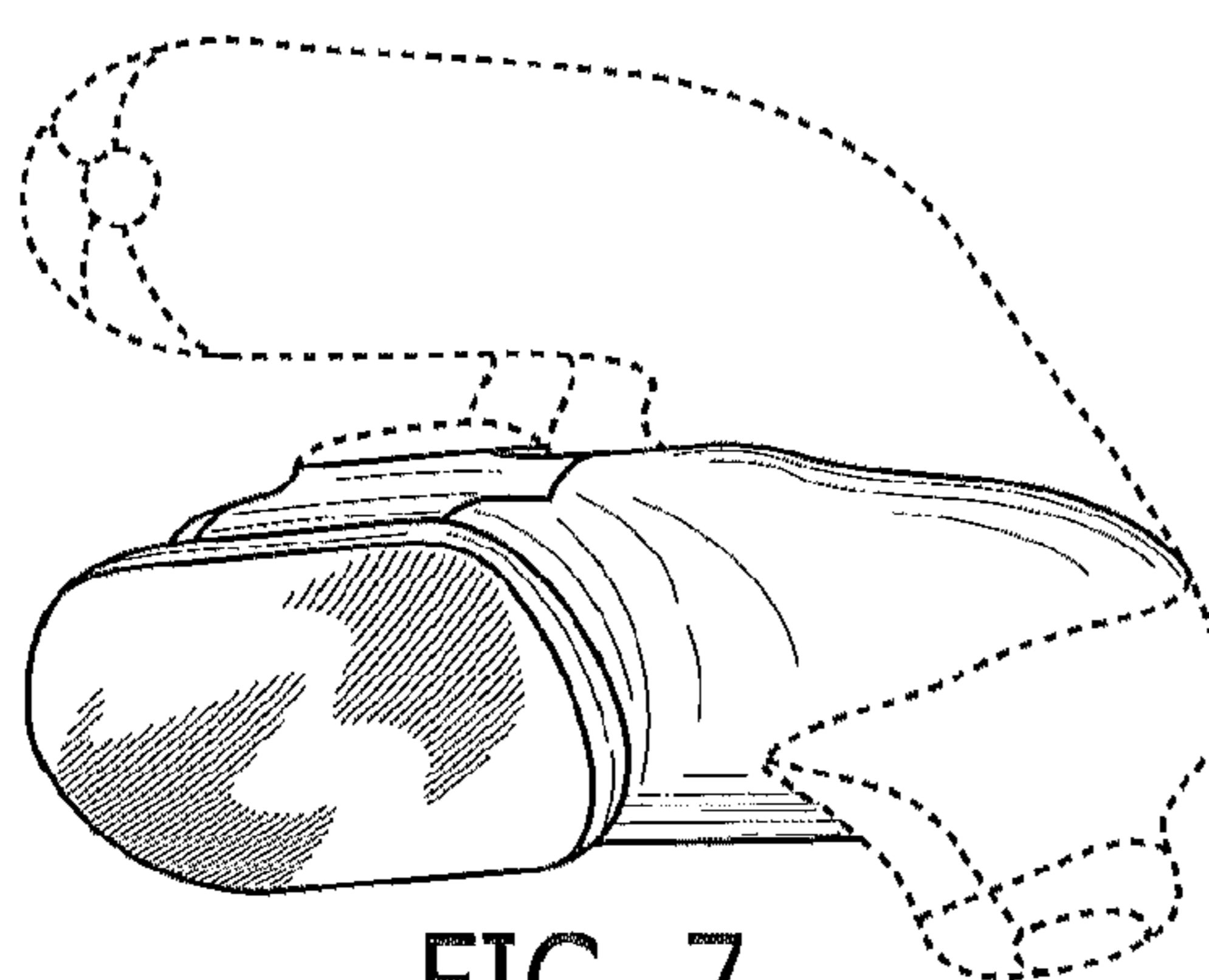


FIG. 7

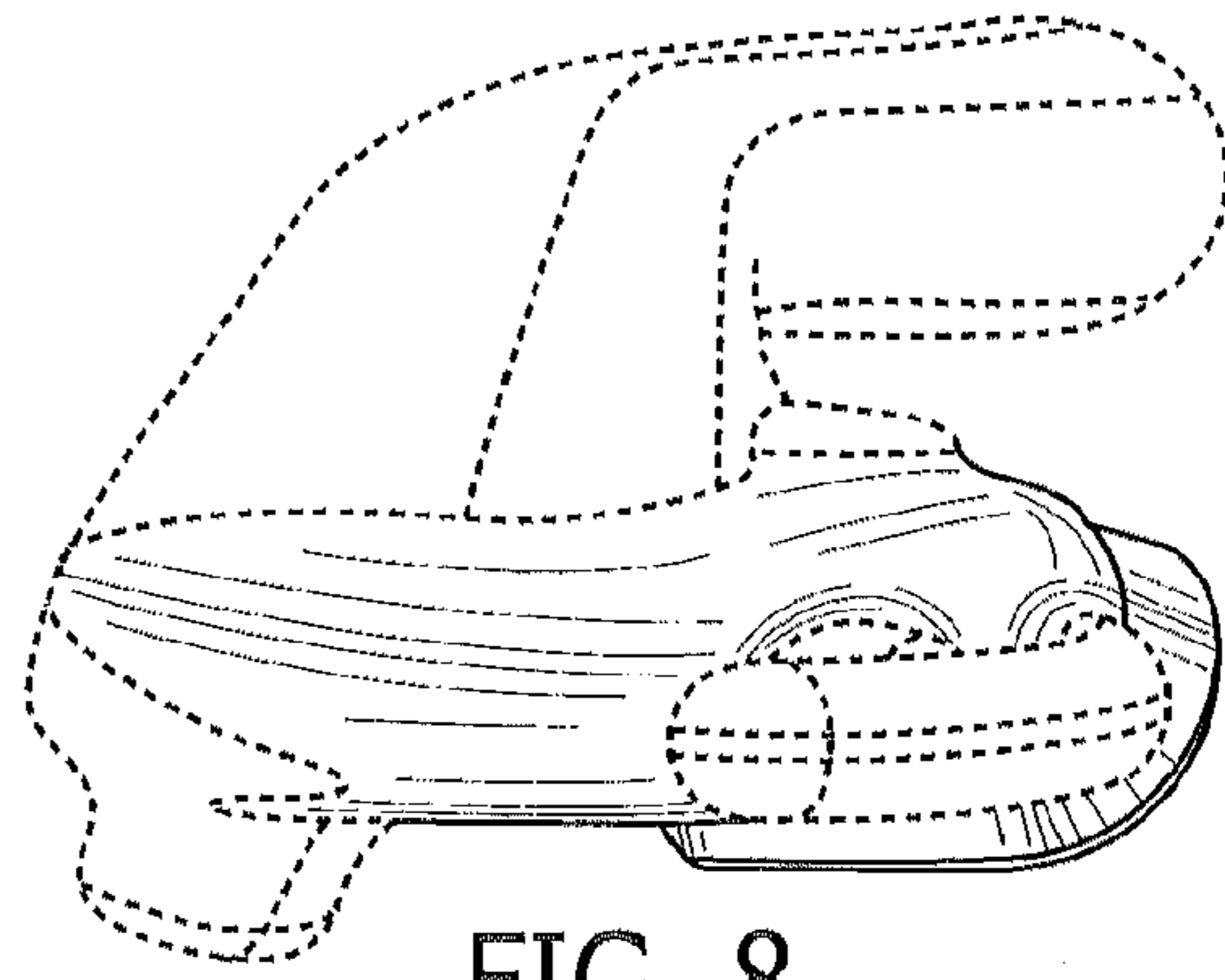


FIG. 8