

US00D666168S

(12) **United States Design Patent**  
**Rath**

(10) **Patent No.:** **US D666,168 S**  
(45) **Date of Patent:** **\*\* Aug. 28, 2012**

(54) **HEADSETS AND INTERFACE**

(75) Inventor: **Klaus Rath**, Gentofte (DK)

(73) Assignee: **GN Netcom A/S** (DK)

(\*\*) Term: **14 Years**

(21) Appl. No.: **29/380,003**

(22) Filed: **Nov. 29, 2010**

**Related U.S. Application Data**

(62) Division of application No. 29/337,734, filed on May 28, 2009, now Pat. No. Des. 628,189.

(30) **Foreign Application Priority Data**

Dec. 1, 2008 (EM) ..... 001048862-0001/0009

(51) **LOC (9) Cl.** ..... **14-01**

(52) **U.S. Cl.** ..... **D14/206**

(58) **Field of Classification Search** ..... D14/205,  
D14/206, 223, 225; 181/129, 130, 135; 379/430,  
379/431; 381/380, 381, 322, 328; 455/90.3,  
455/575.2; 345/7

See application file for complete search history.

(56) **References Cited**

**U.S. PATENT DOCUMENTS**

D286,874 S	11/1986	Bertagna et al.
D337,116 S	7/1993	Hattori
D337,587 S	7/1993	Nakayama
5,469,505 A	11/1995	Gathey et al.
D377,020 S	12/1996	Bungardt et al.
D394,437 S	5/1998	Landreth et al.
6,154,539 A	11/2000	Pitel
D478,901 S	8/2003	Rath et al.
6,622,029 B1	9/2003	Skulley et al.
D482,019 S	11/2003	Petersen et al.
D484,137 S	12/2003	Wikel et al.
D488,146 S	4/2004	Minto
D494,154 S	8/2004	Polito

D494,957 S	8/2004	Rath et al.	
D505,414 S	5/2005	Ko et al.	
D514,086 S	1/2006	Skulley	
D517,528 S	3/2006	Skulley	
D530,307 S	10/2006	Rath	
D531,165 S	10/2006	Rath	
D535,285 S *	1/2007	Skulley	D14/205
D538,785 S *	3/2007	Skulley	D14/206
D574,368 S	8/2008	Chapman	
7,424,125 B2	9/2008	Amae et al.	
D587,683 S	3/2009	Ham et al.	
D587,684 S	3/2009	Ham et al.	
D597,683 S	8/2009	Baccarni	
D601,543 S	10/2009	Bentley	
D602,001 S	10/2009	Bentley	
D628,189 S *	11/2010	Rath	D14/206
D638,000 S *	5/2011	Hoggarth	D14/206
D643,405 S *	8/2011	Rath	D14/206

\* cited by examiner

*Primary Examiner* — Paula Greene

(74) *Attorney, Agent, or Firm* — Altera Law Group, LLC

(57) **CLAIM**

The ornamental design for a headsets and interface, as shown and described.

**DESCRIPTION**

FIG. 1 is a perspective view of the headsets and interface.  
 FIG. 2 is a side view thereof.  
 FIG. 3 is a back view thereof.  
 FIG. 4 is a top view thereof.  
 FIG. 5 is a bottom view thereof.  
 FIG. 6 is another side view thereof.  
 FIG. 7 is a back view thereof.  
 FIG. 8 is a perspective view thereof.  
 FIG. 9 is a side view thereof.  
 FIG. 10 is a back view thereof.  
 FIG. 11 is a top view thereof.  
 FIG. 12 is a bottom view thereof.  
 FIG. 13 is a side view thereof; and,  
 FIG. 14 is a back view thereof.

**1 Claim, 14 Drawing Sheets**

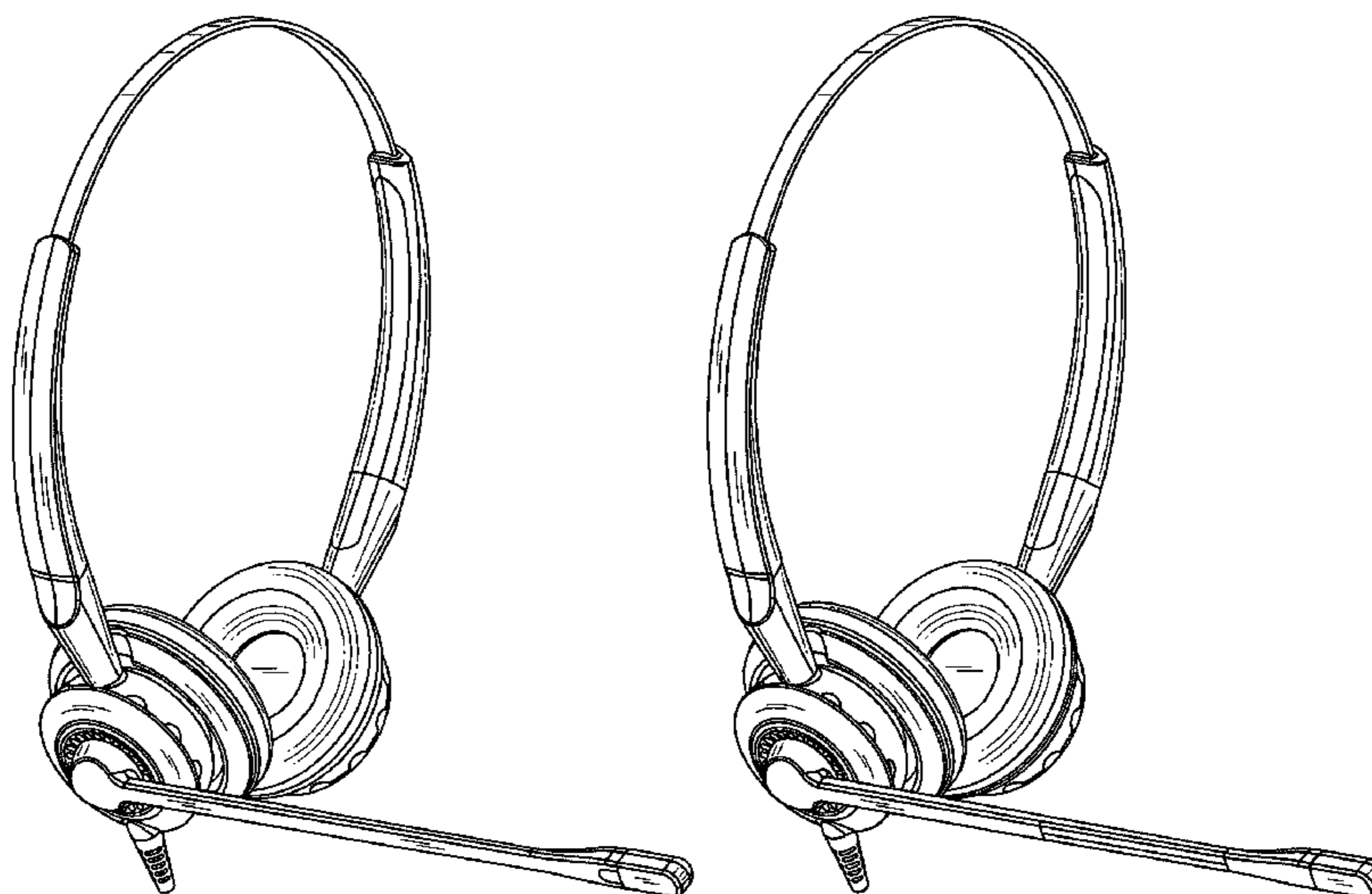




Fig. 1

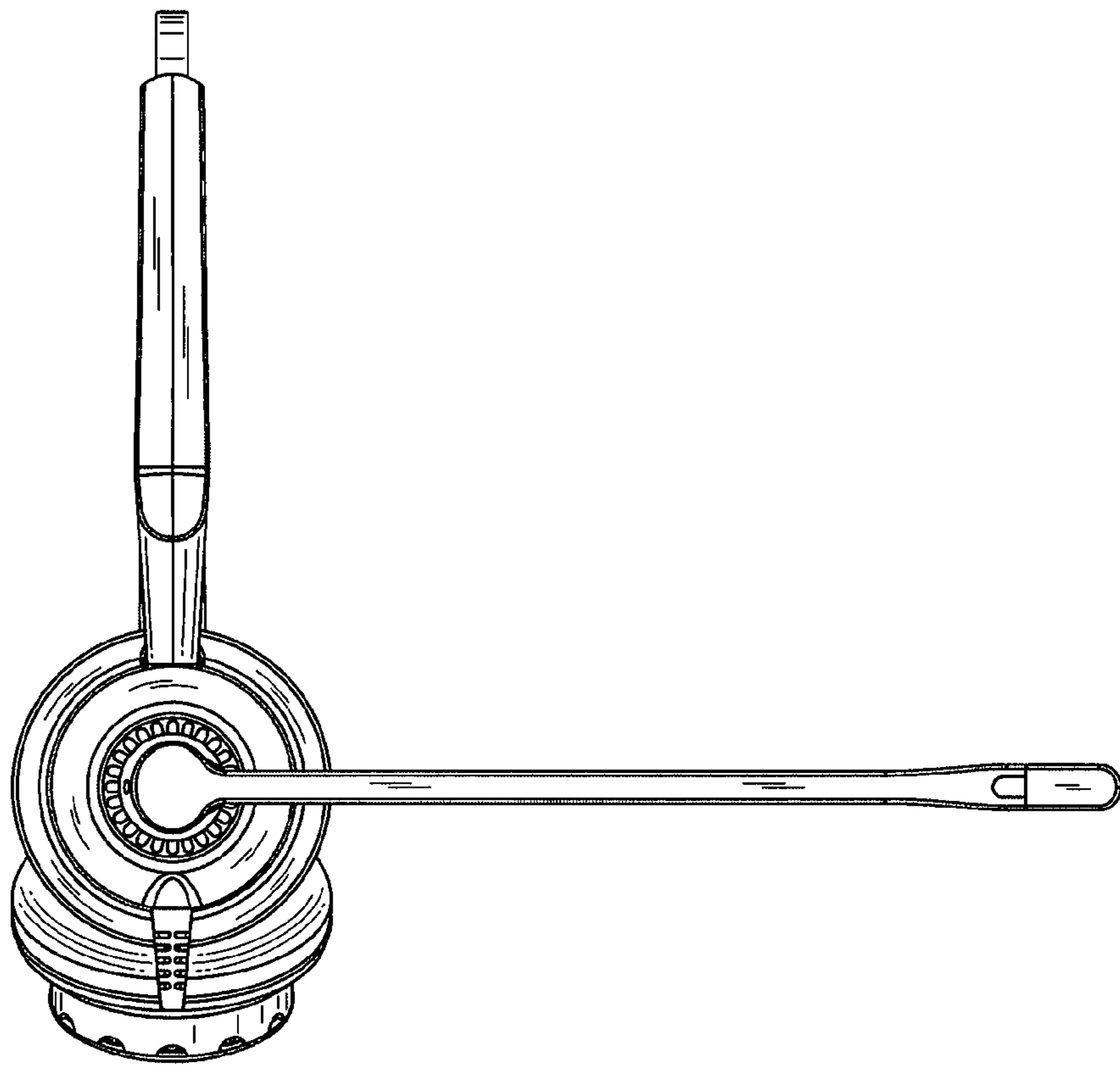
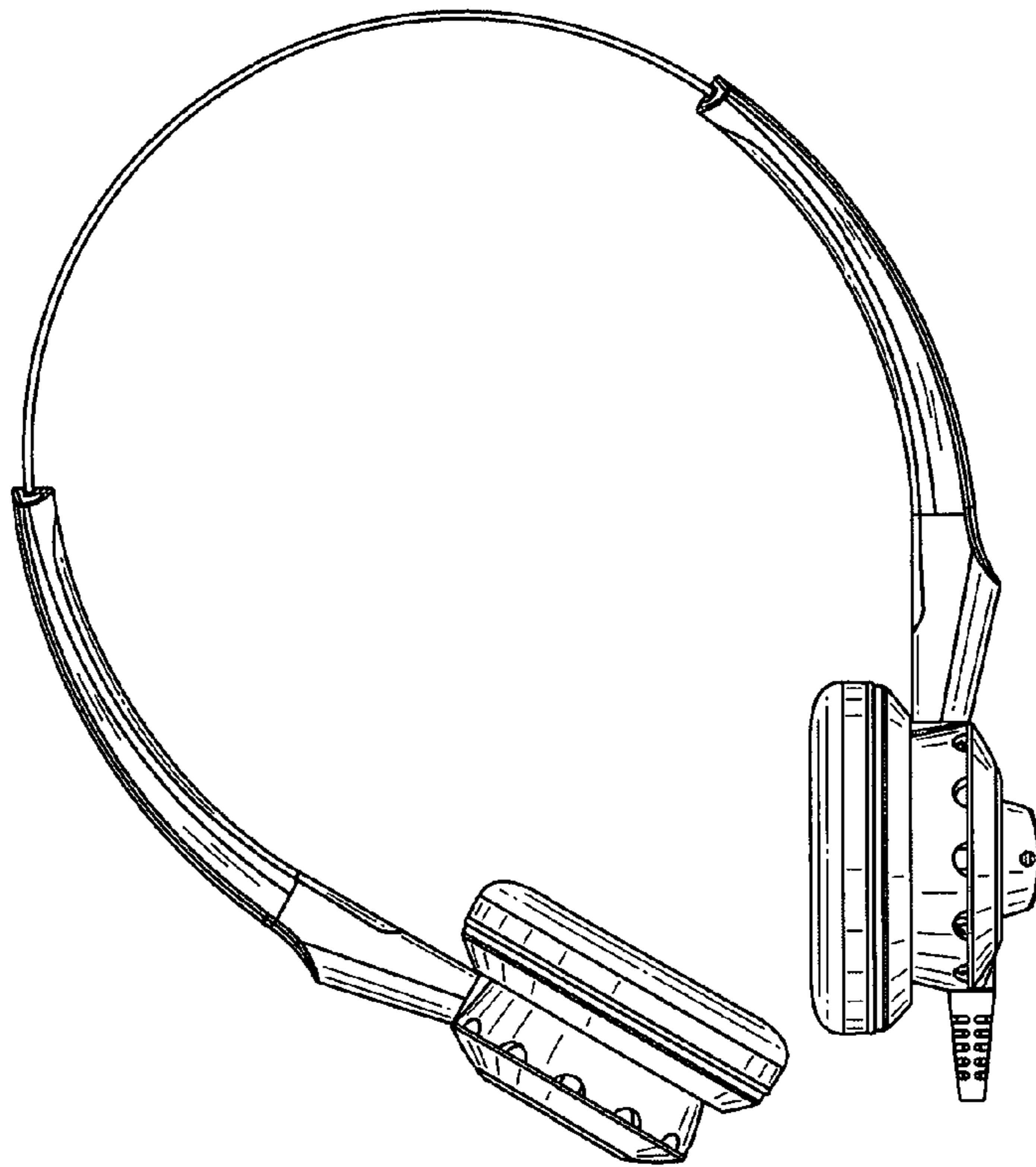


Fig. 2



**Fig. 3**

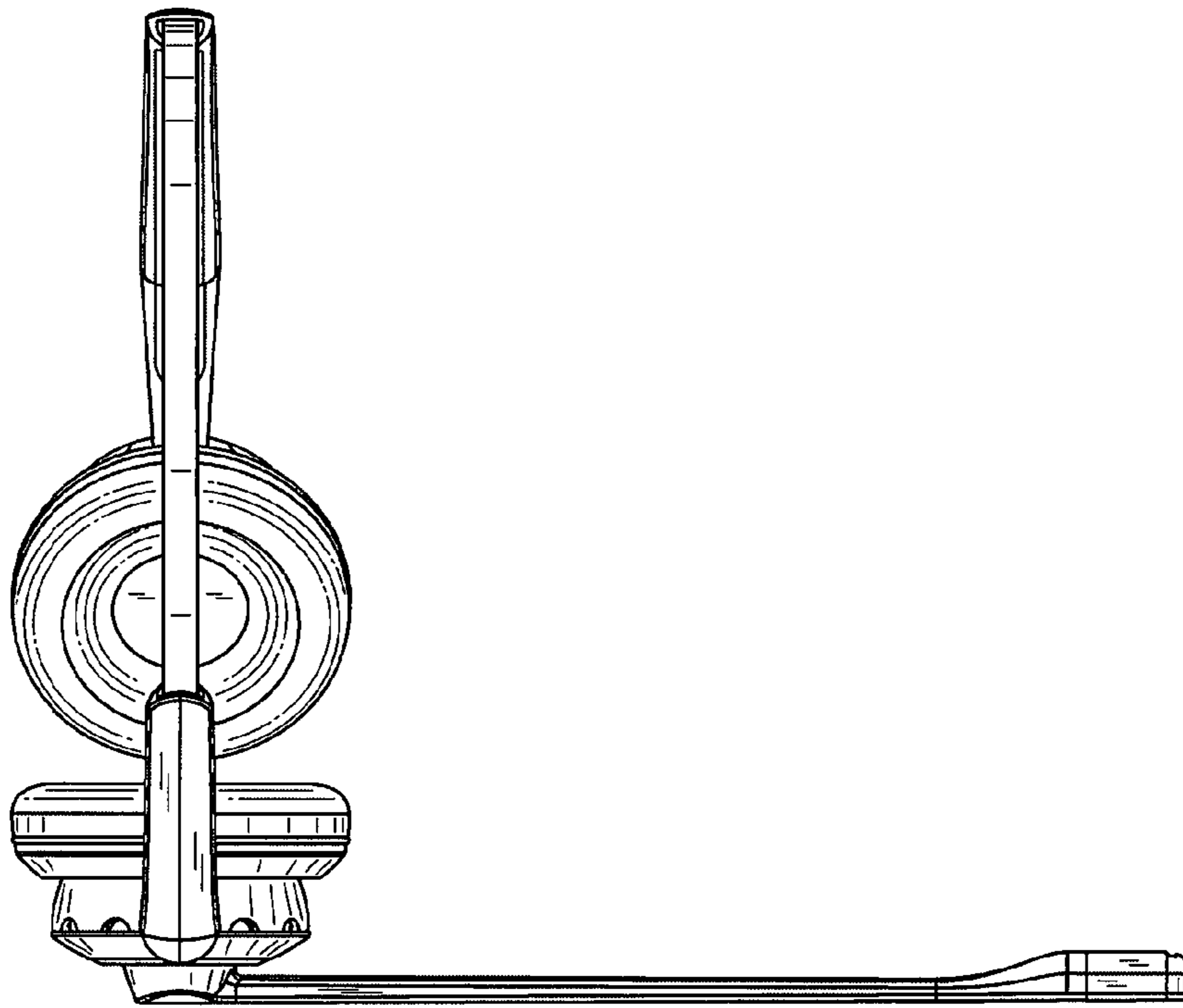


Fig. 4

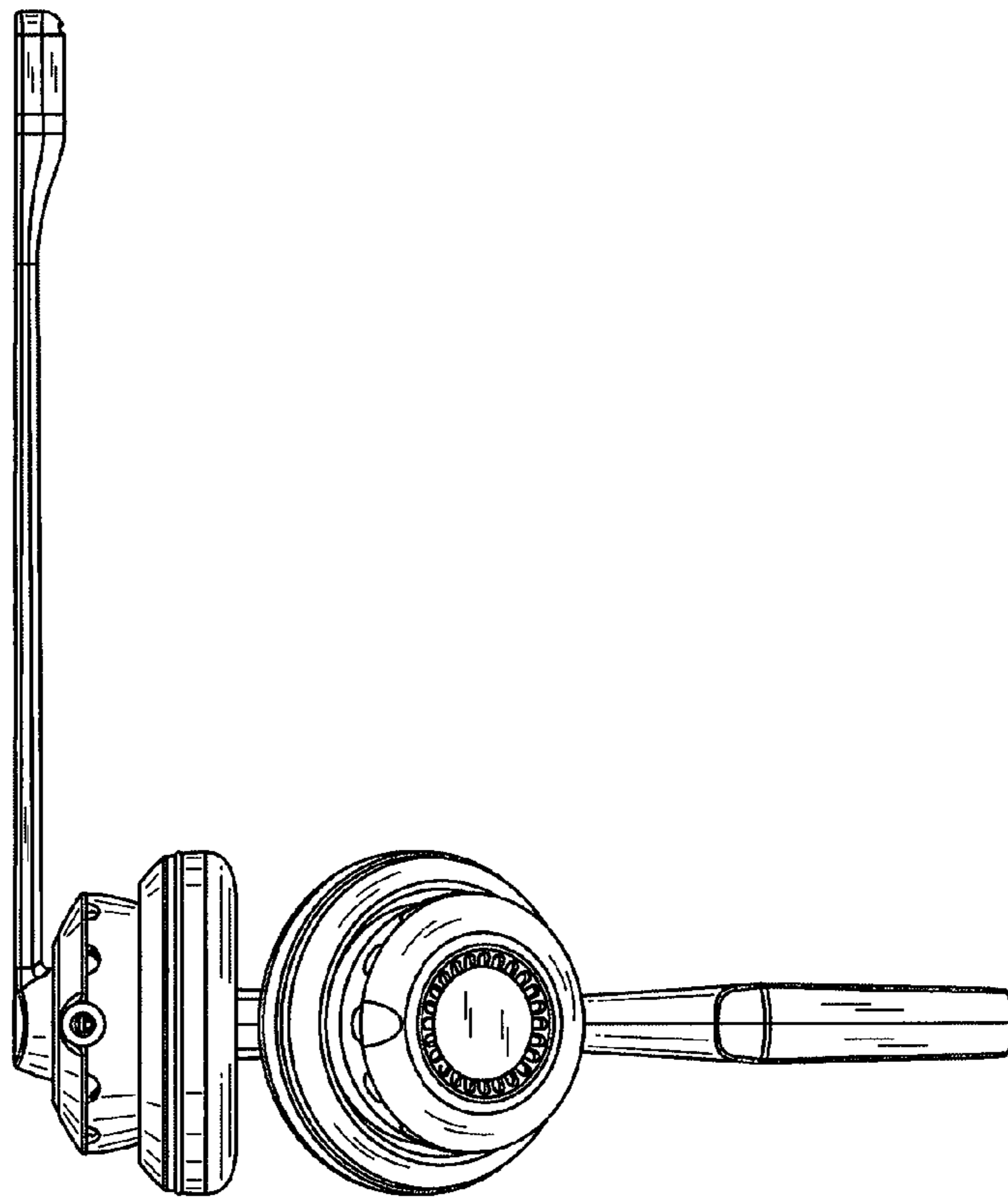


Fig. 5



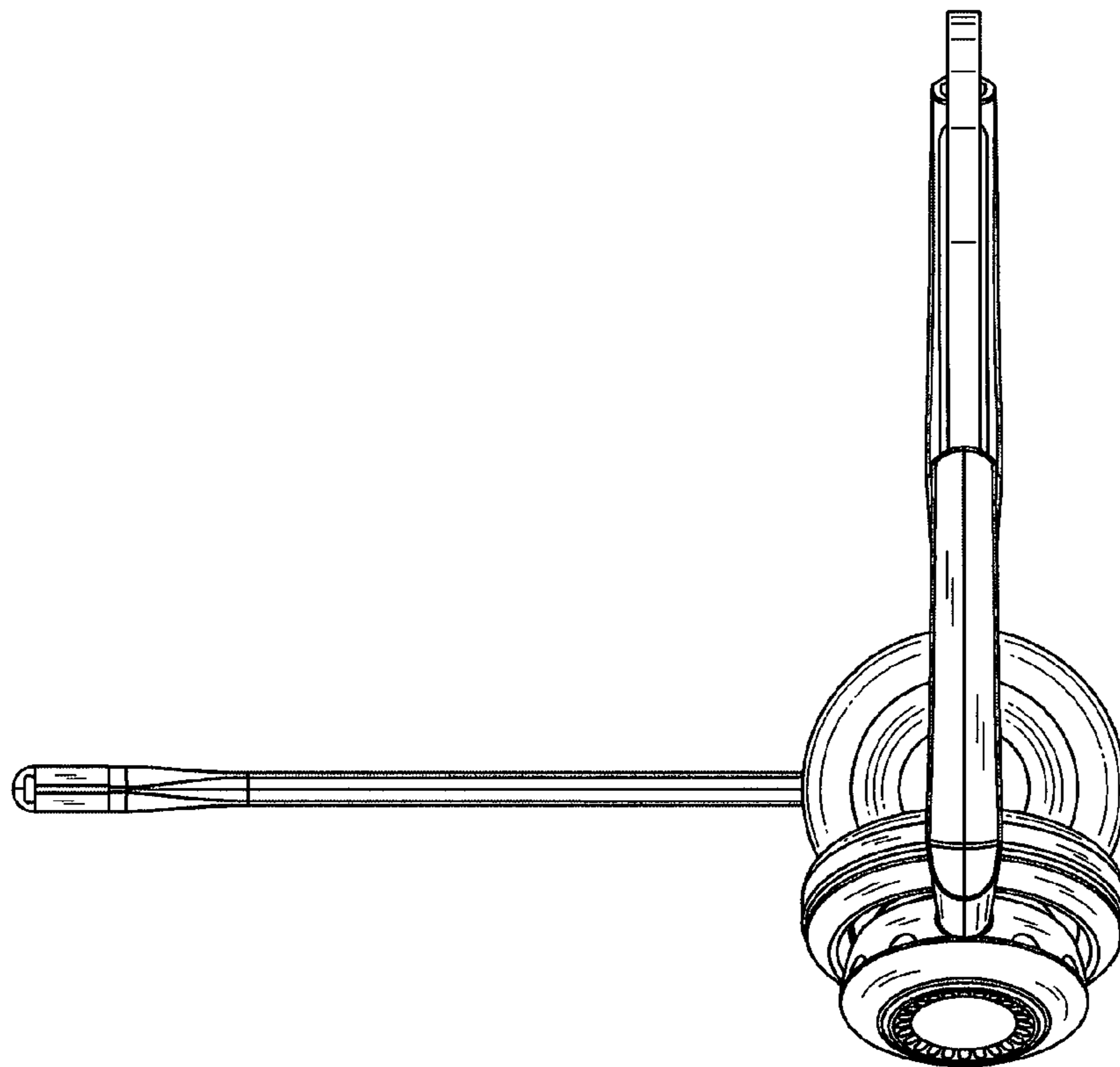


Fig. 6

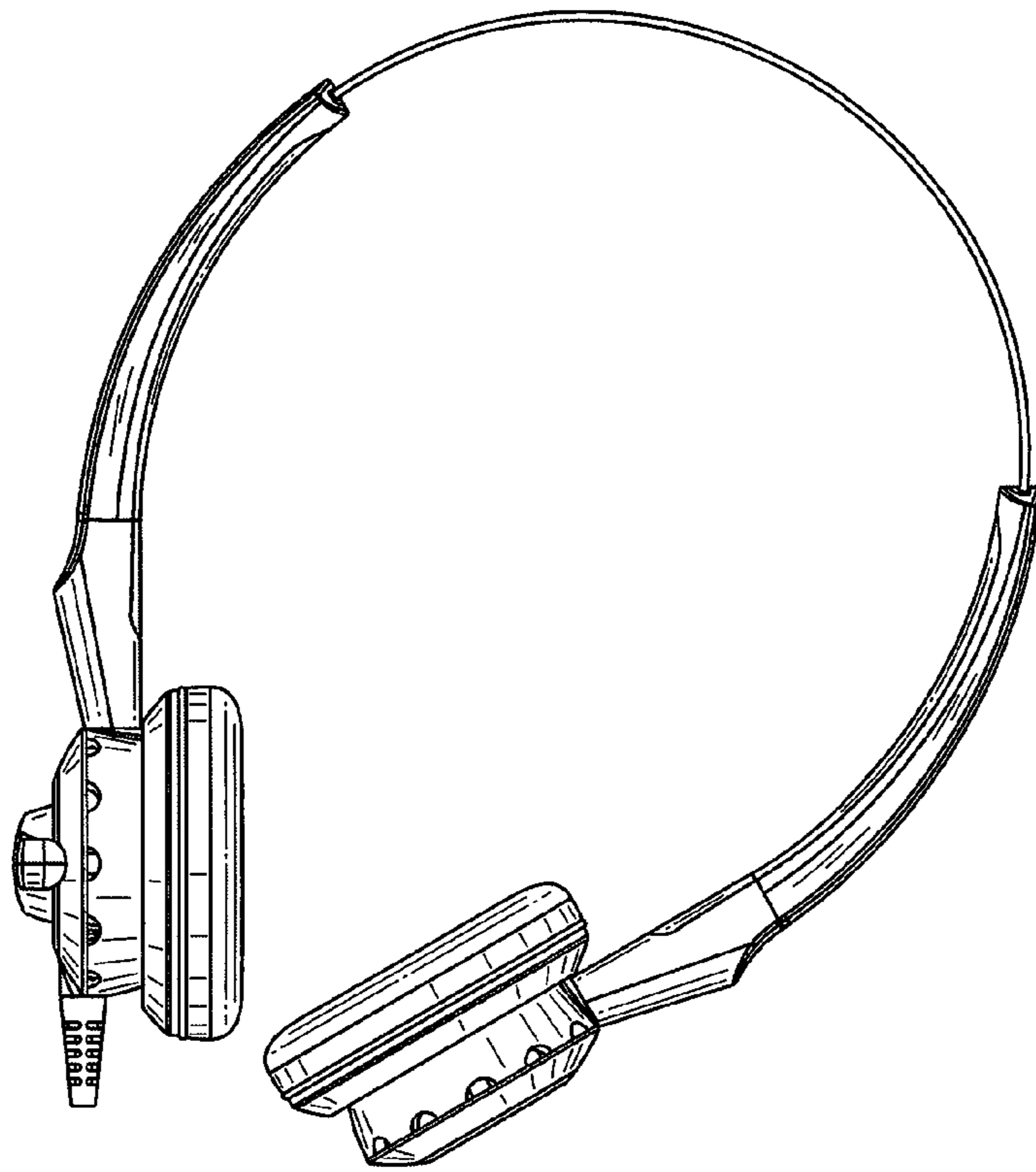


Fig. 7





Fig. 8

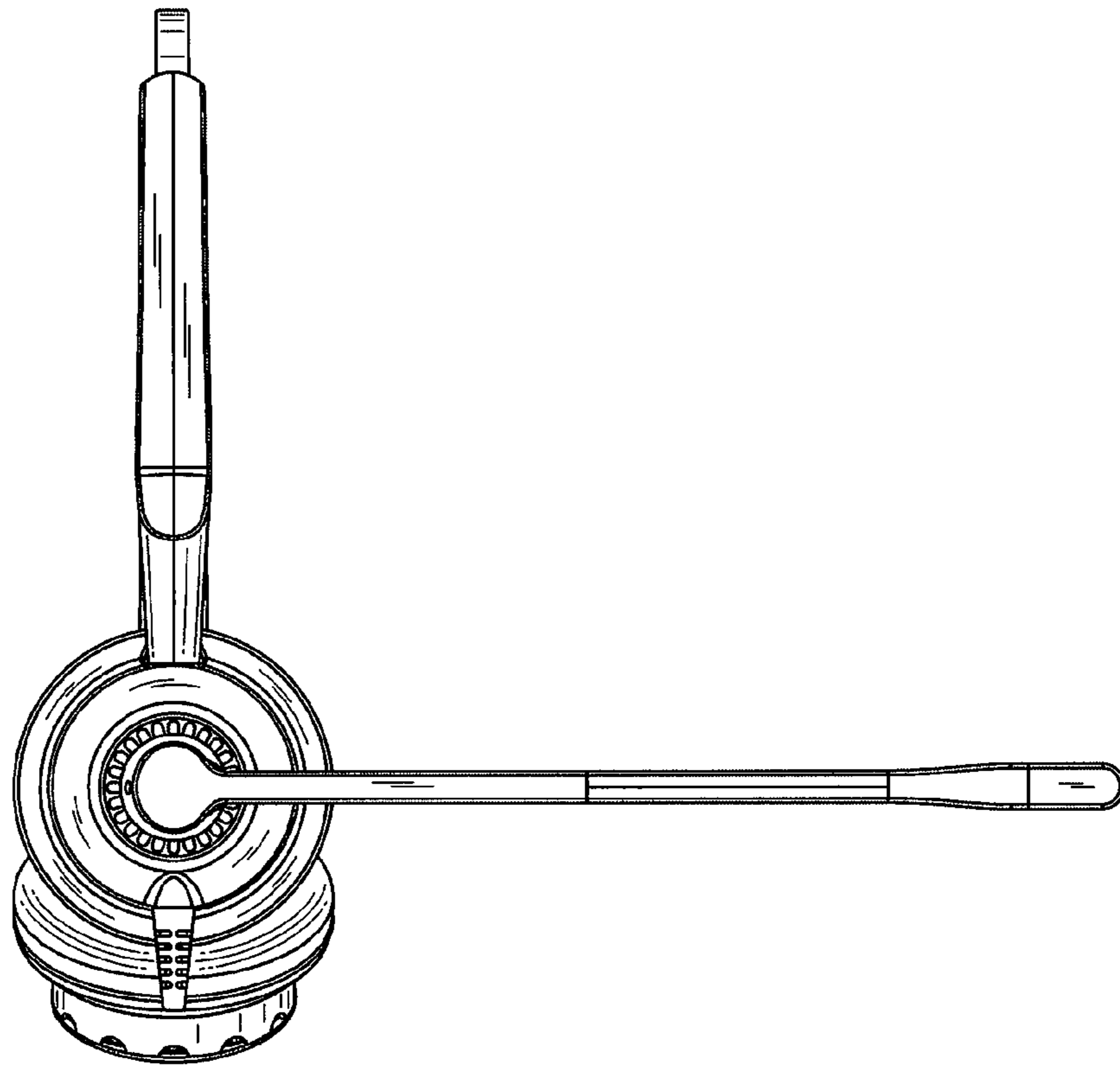


Fig. 9

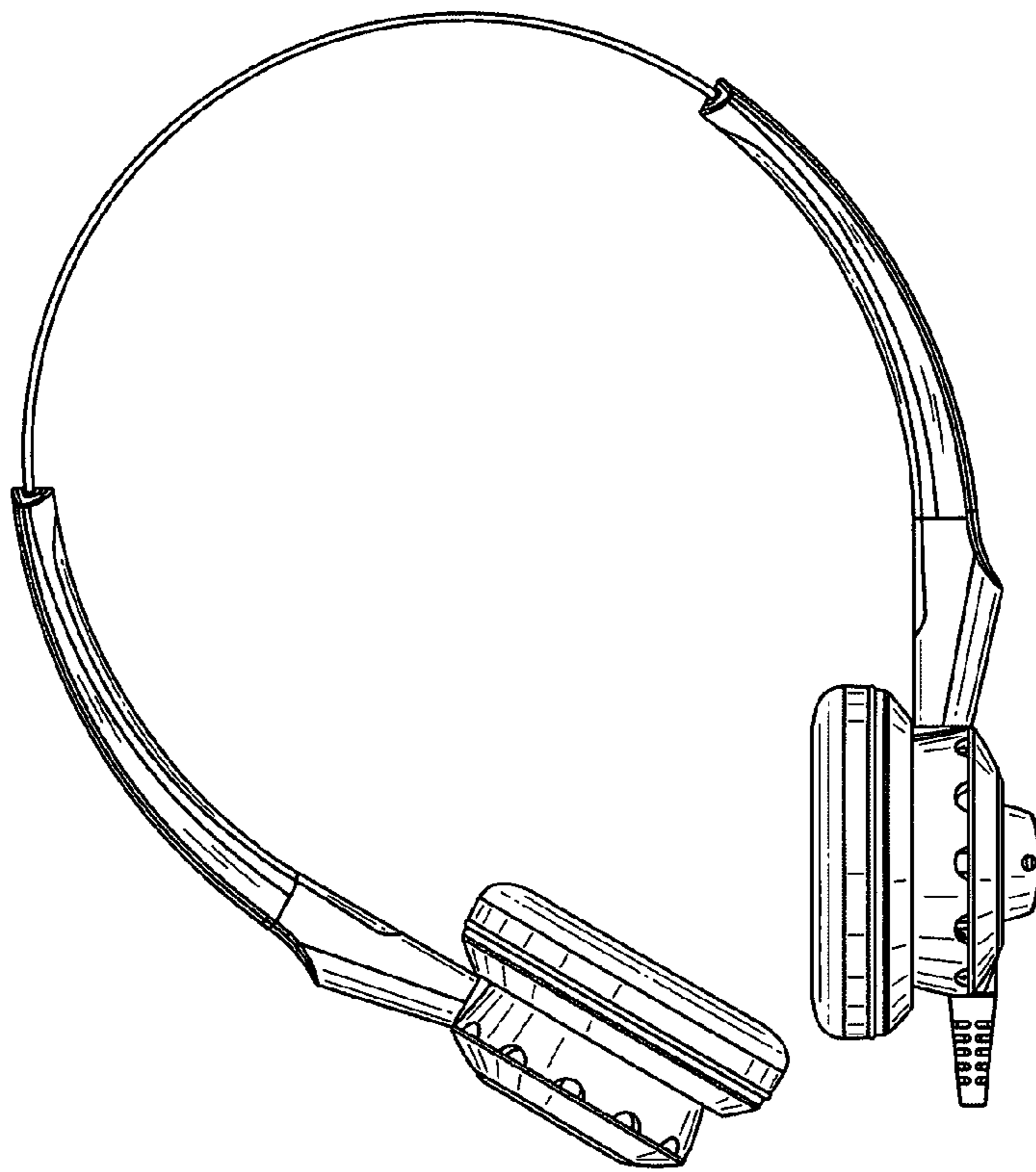


Fig. 10

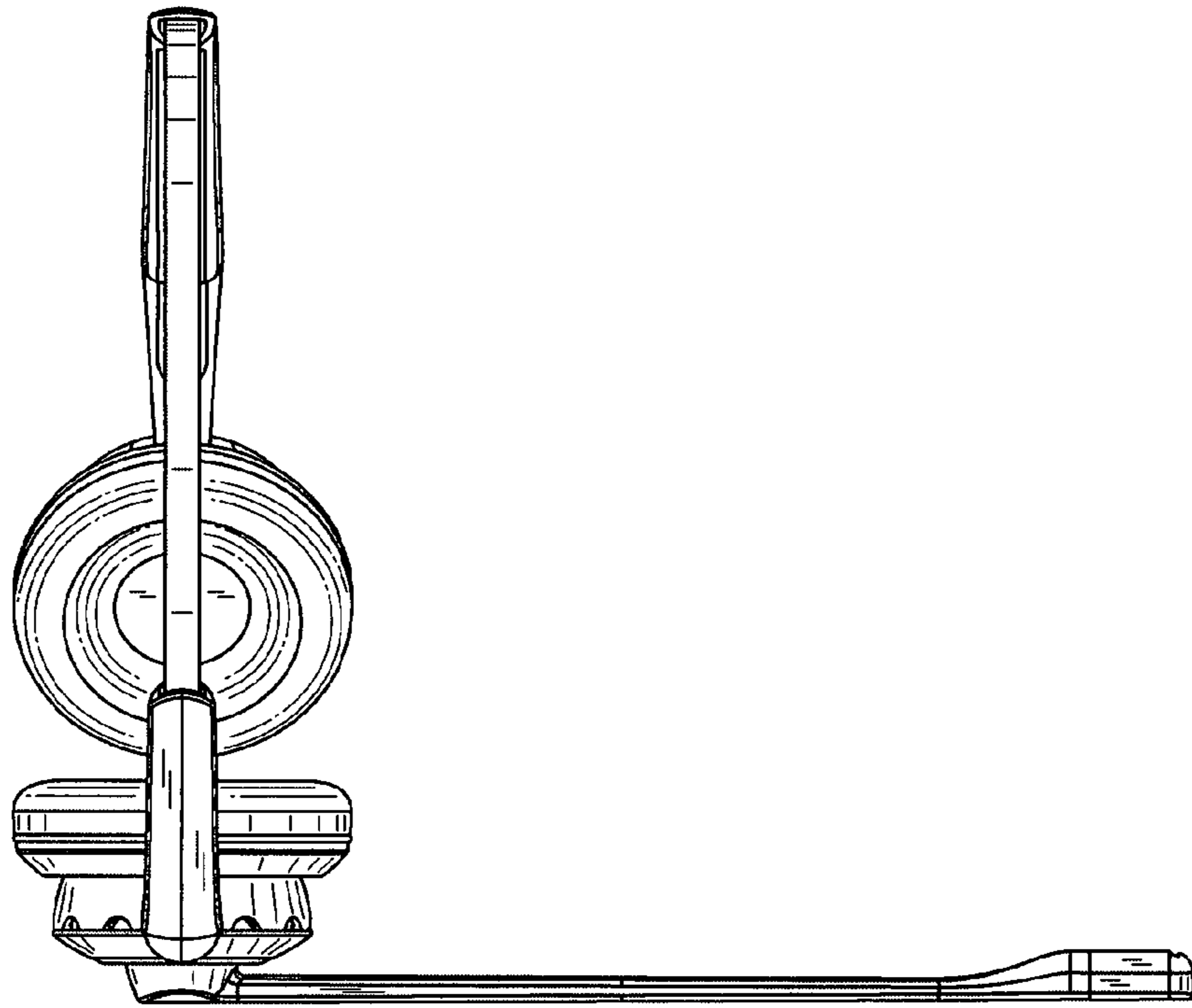


Fig. 11

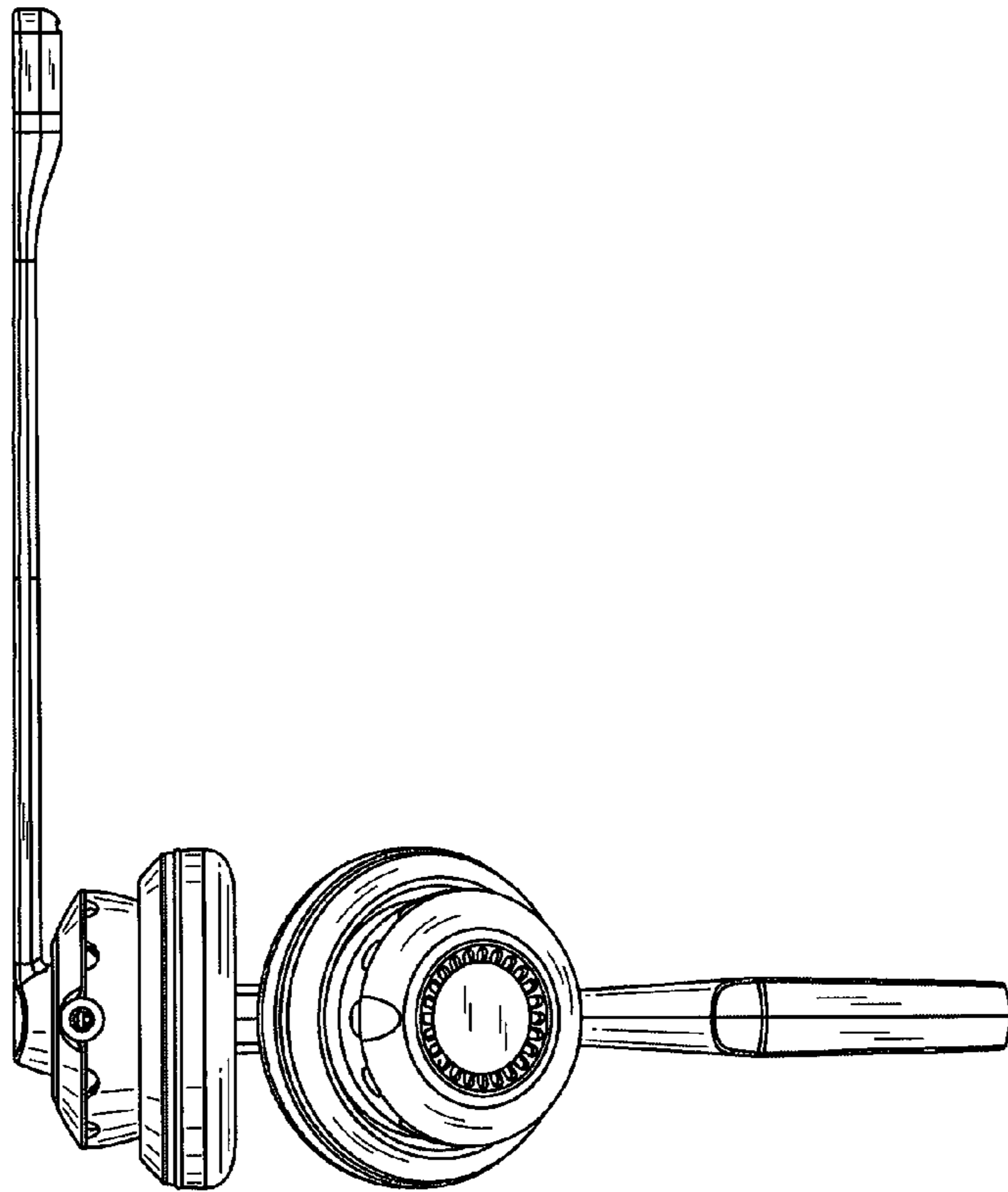


Fig. 12

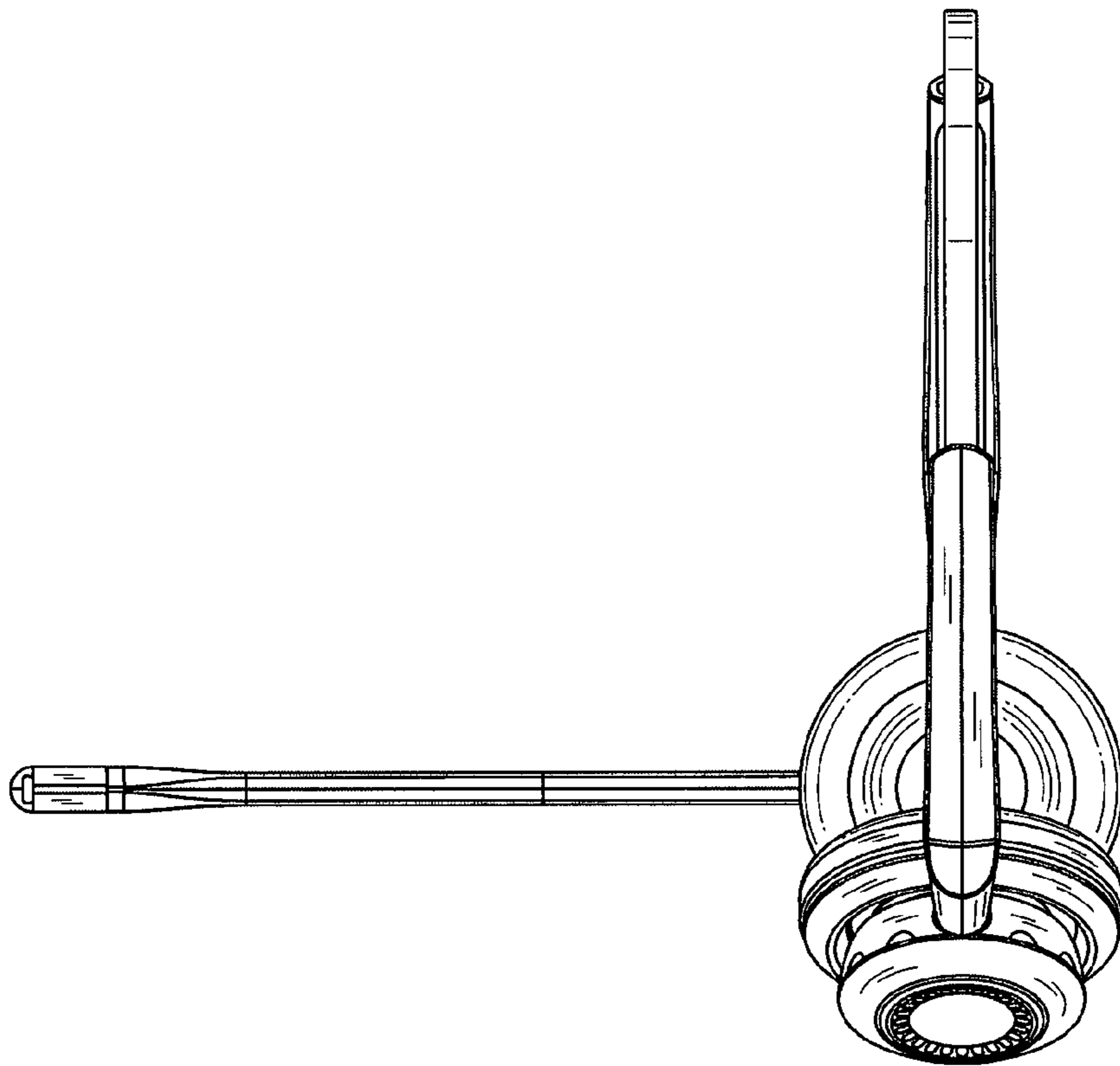


Fig. 13



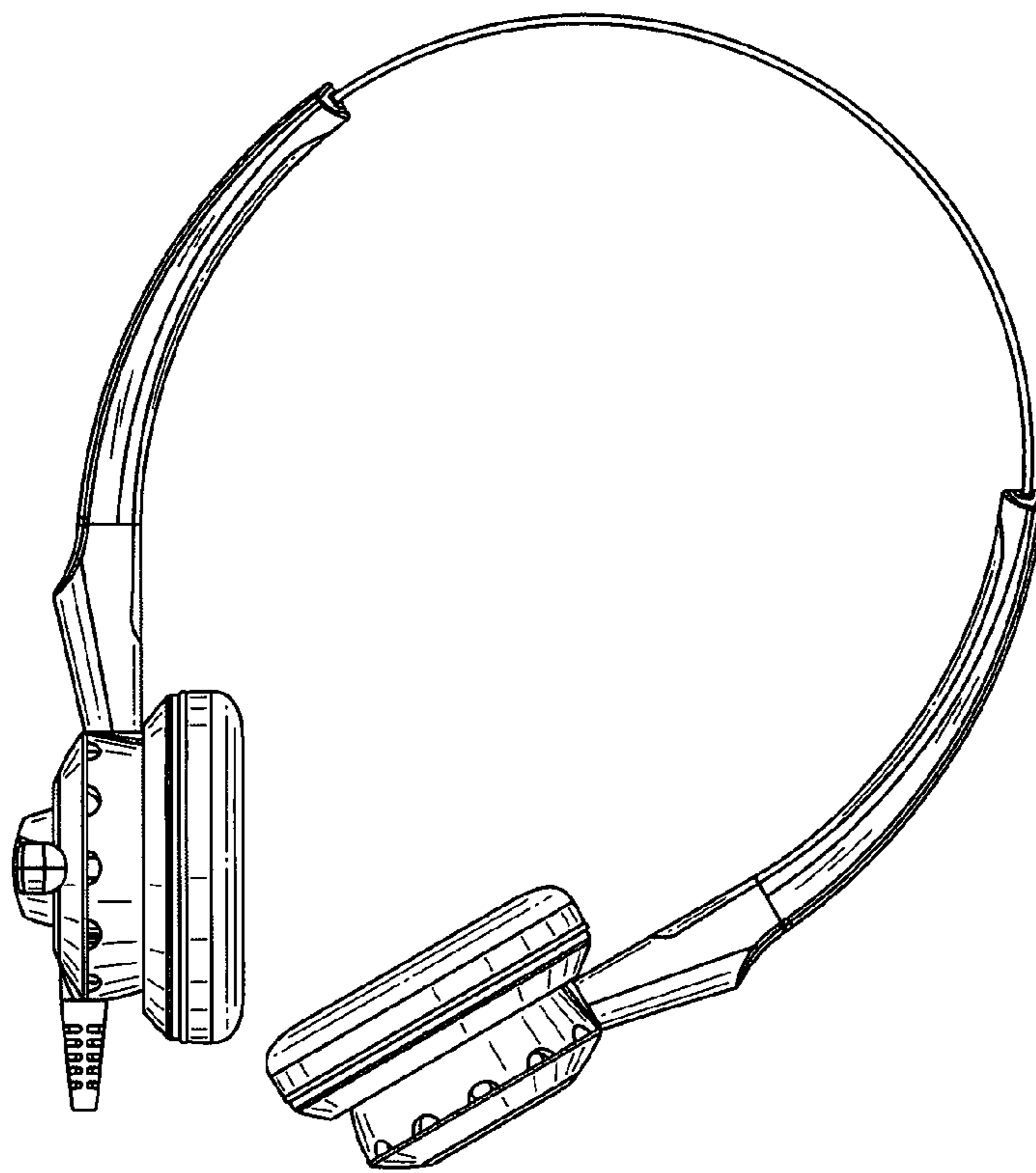


Fig. 14