

US00D666165S

(12) **United States Design Patent**  
**Kim et al.**

(10) **Patent No.:** **US D666,165 S**  
(45) **Date of Patent:** **\*\* Aug. 28, 2012**

(54) **TELEVISION RECEIVER**

(75) Inventors: **Hyungyuel Kim**, Seoul (KR); **Junki Kim**, Seoul (KR); **Minji Seo**, Gyeonggi-do (KR)

(73) Assignee: **LG Electronics Inc.**, Seoul (KR)

(\*\*) Term: **14 Years**

(21) Appl. No.: **29/401,257**

(22) Filed: **Sep. 9, 2011**

(30) **Foreign Application Priority Data**

Mar. 11, 2011 (KR) ..... 30-2011-0009970

(51) **LOC (9) Cl.** ..... **14-03**

(52) **U.S. Cl.** ..... **D14/126**

(58) **Field of Classification Search** ..... D14/125-134,  
D14/239, 371, 136, 374-377, 440, 450, 448,  
D14/336, 342; 312/7.2; 348/836, 838, 180,  
348/184, 325, 739; 341/12; 248/917-924,  
248/465; 345/104, 133, 156, 168, 87, 173;  
720/605, 669, 600, 655; 369/99, 197; D21/329,  
D21/515, 577, 622, 333, 433, 448, 452, 450,  
D21/331; D6/477, 479, 300; 273/148 B;  
446/484, 175, 356; D10/15, 26

See application file for complete search history.

(56) **References Cited**

U.S. PATENT DOCUMENTS

D540,285	S	*	4/2007	Kita	.....	D14/126
D541,775	S	*	5/2007	Kita	.....	D14/126
D543,961	S	*	6/2007	Chu	.....	D14/126
D548,226	S	*	8/2007	Ohba et al.	.....	D14/239
D552,090	S	*	10/2007	Kita	.....	D14/239
D568,266	S	*	5/2008	Shimamoto	.....	D14/126
D584,255	S	*	1/2009	Kita	.....	D14/126
D585,396	S	*	1/2009	Kita	.....	D14/126
D620,461	S	*	7/2010	Han et al.	.....	D14/126
D634,723	S	*	3/2011	Park et al.	.....	D14/126
D639,760	S	*	6/2011	Tierney et al.	.....	D14/126
D648,691	S	*	11/2011	Tierney et al.	.....	D14/126
2004/0155166	A1	*	8/2004	Kim	.....	248/291.1

\* cited by examiner

*Primary Examiner* — Raphael Barkai

(74) *Attorney, Agent, or Firm* — Birch, Stewart, Kolasch & Birch, LLP

(57) **CLAIM**

The ornamental design for a television receiver, as shown and described.

**DESCRIPTION**

FIG. 1 is a perspective view of a television receiver showing our new design;  
FIG. 2 is a front view thereof;  
FIG. 3 is a rear view thereof;  
FIG. 4 is a left side view thereof;  
FIG. 5 is a right side view thereof,  
FIG. 6 is a top plan view thereof; and,  
FIG. 7 is a bottom plan view thereof.

**1 Claim, 6 Drawing Sheets**

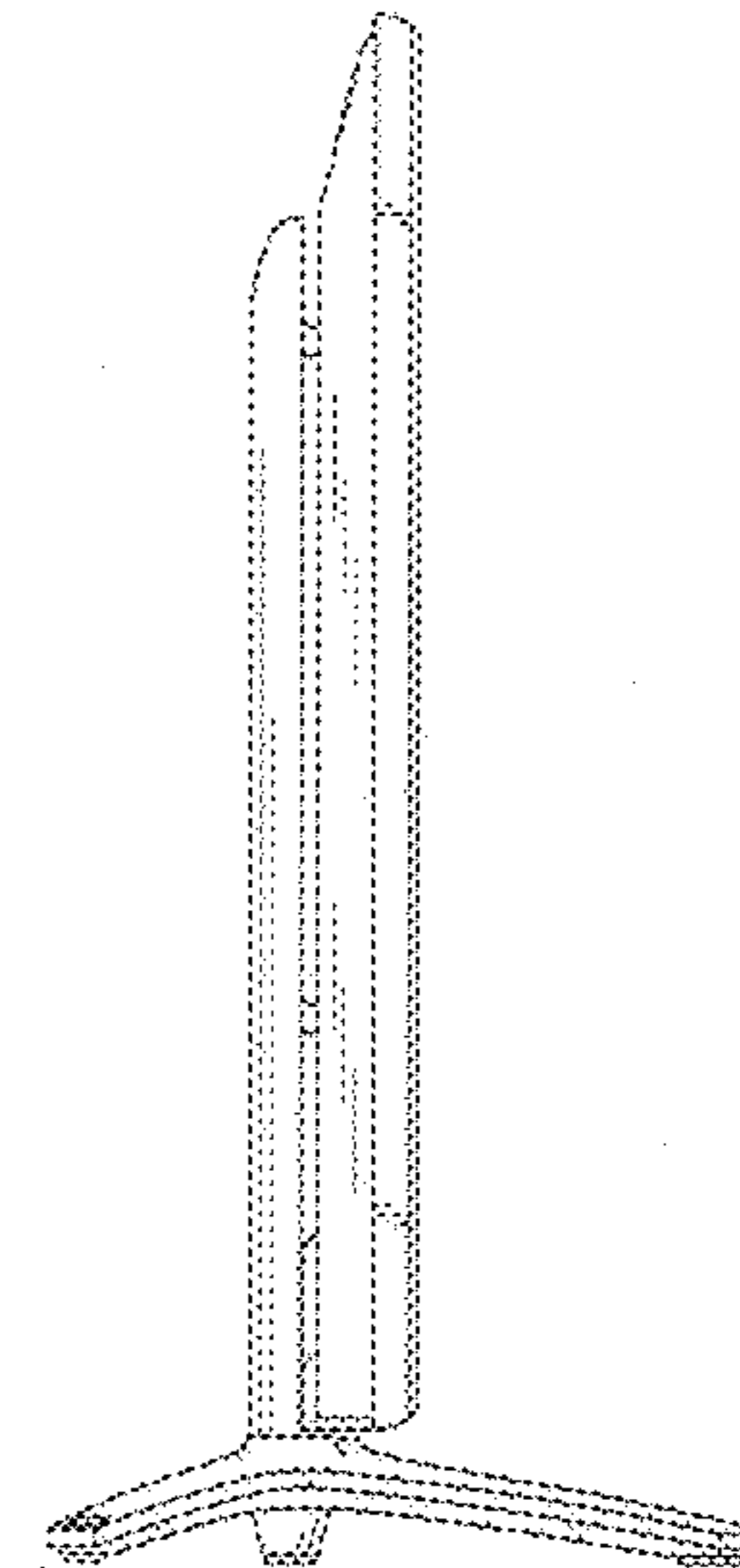
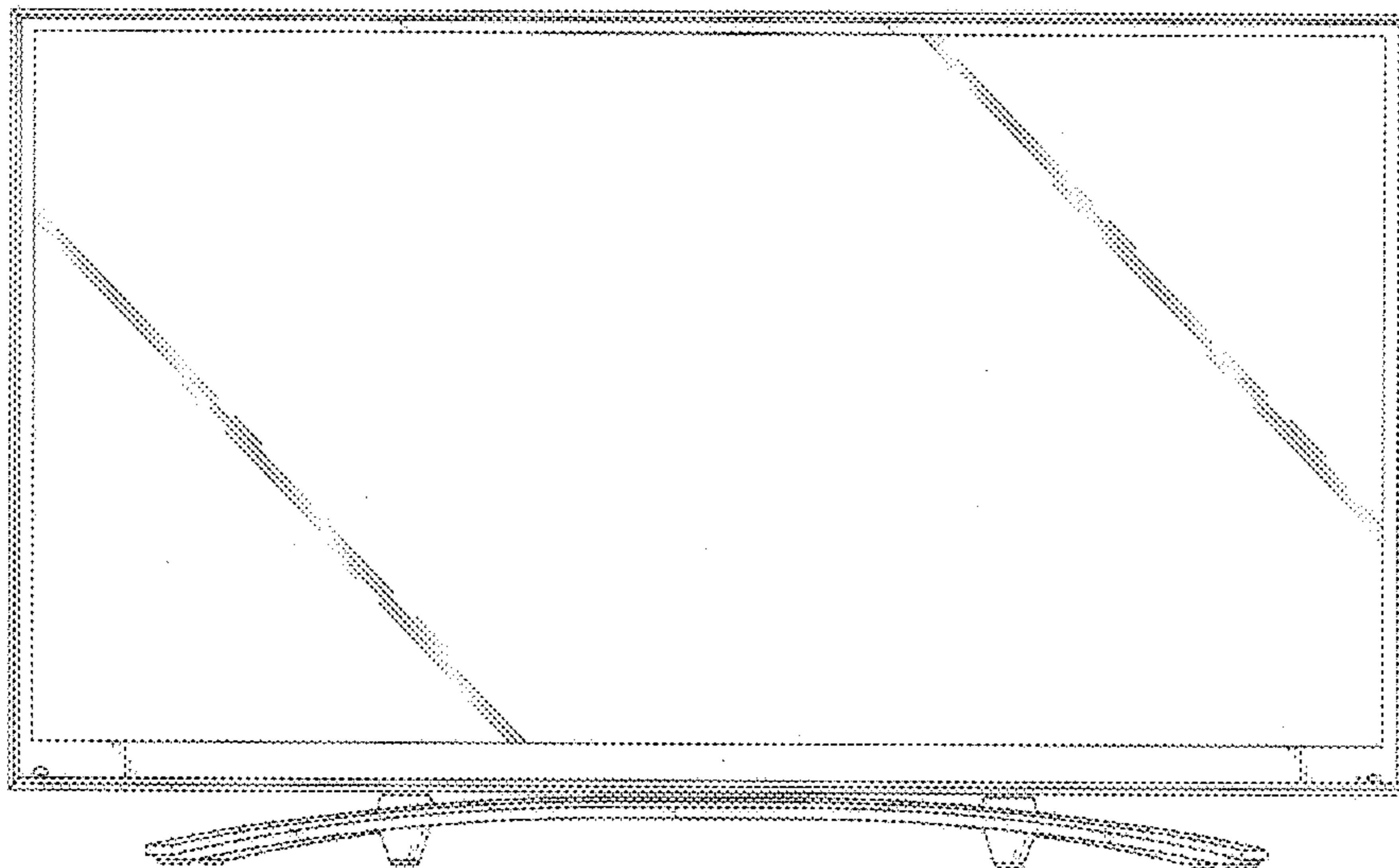


FIG. 1

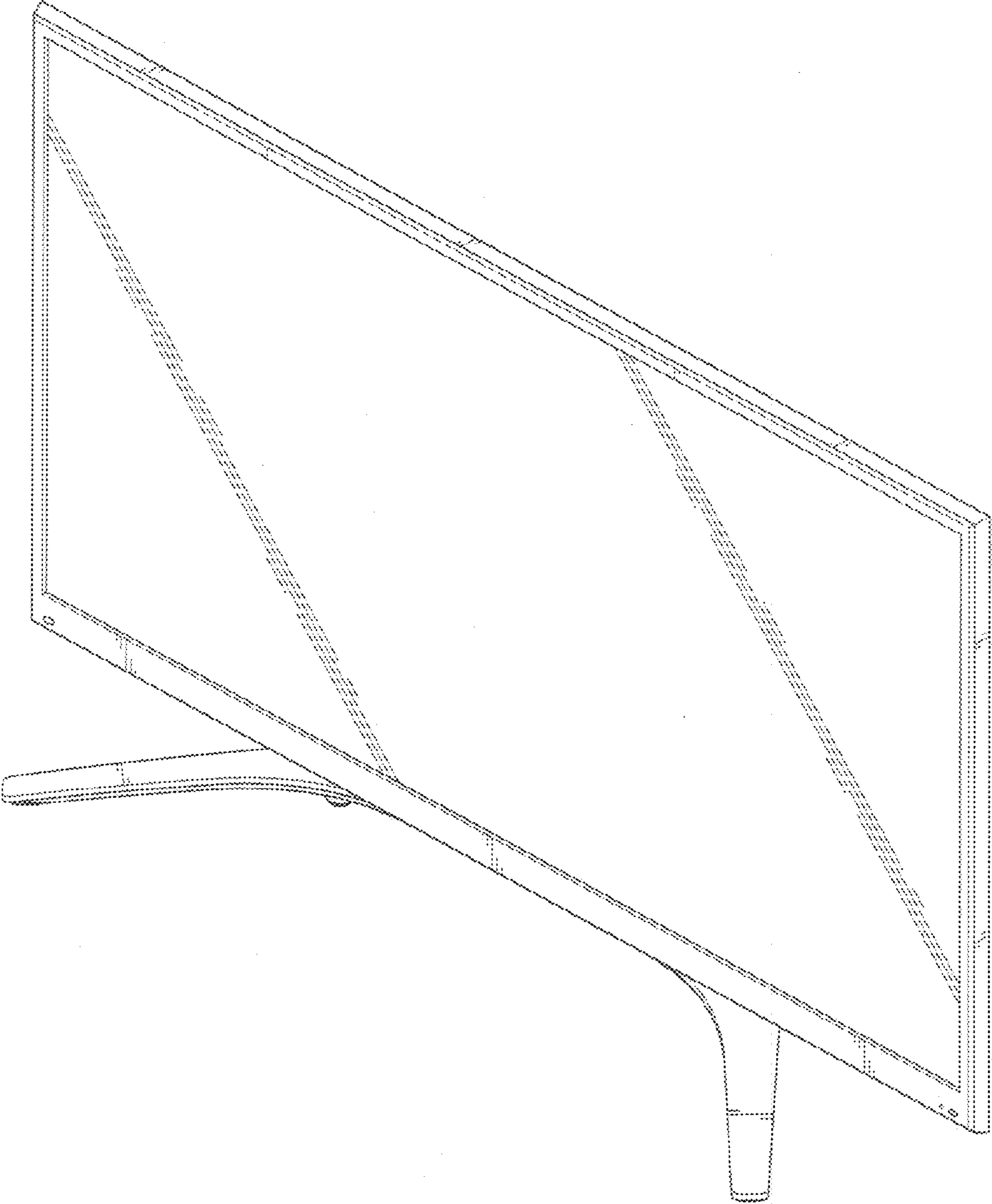


FIG. 2

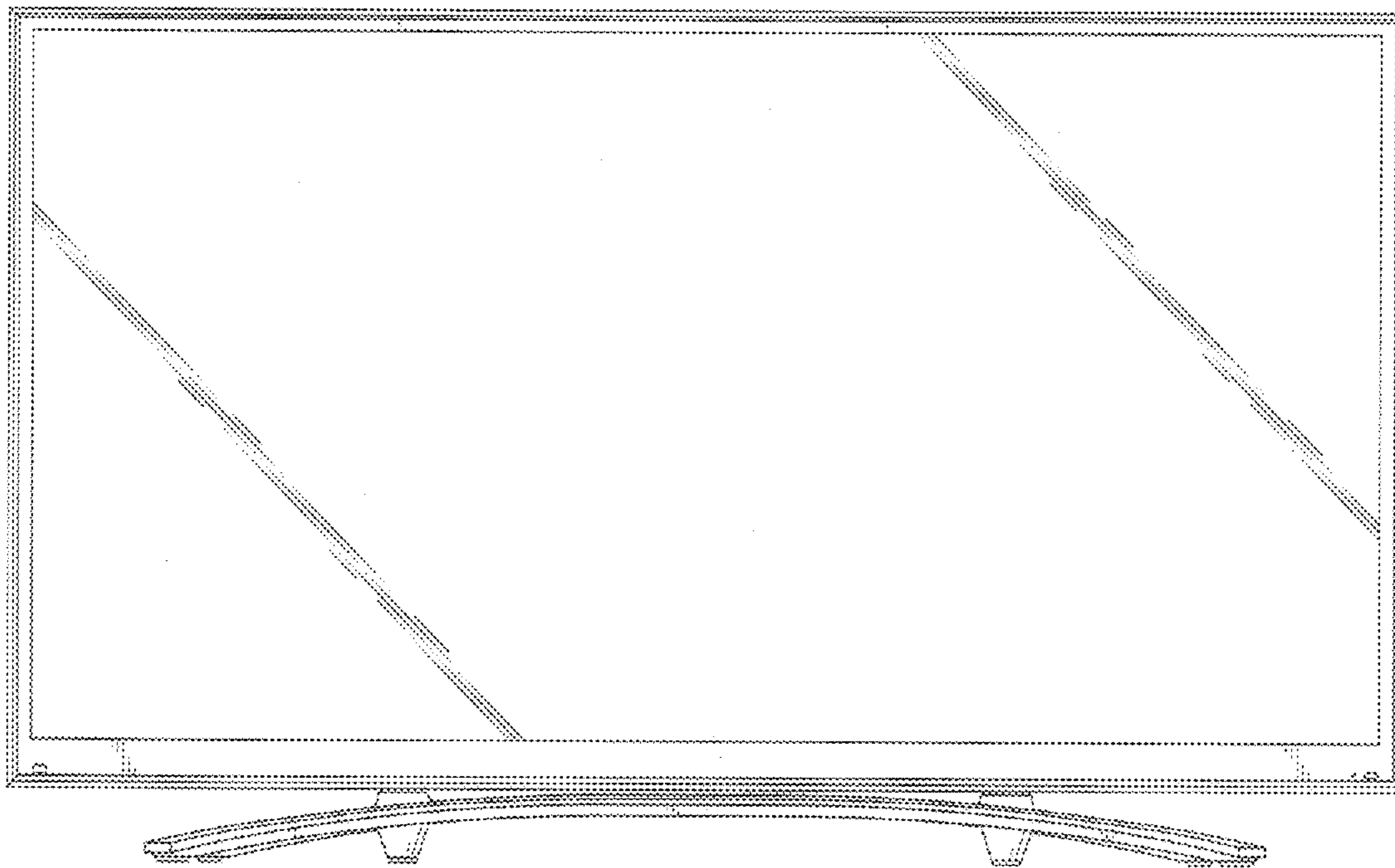


FIG. 3

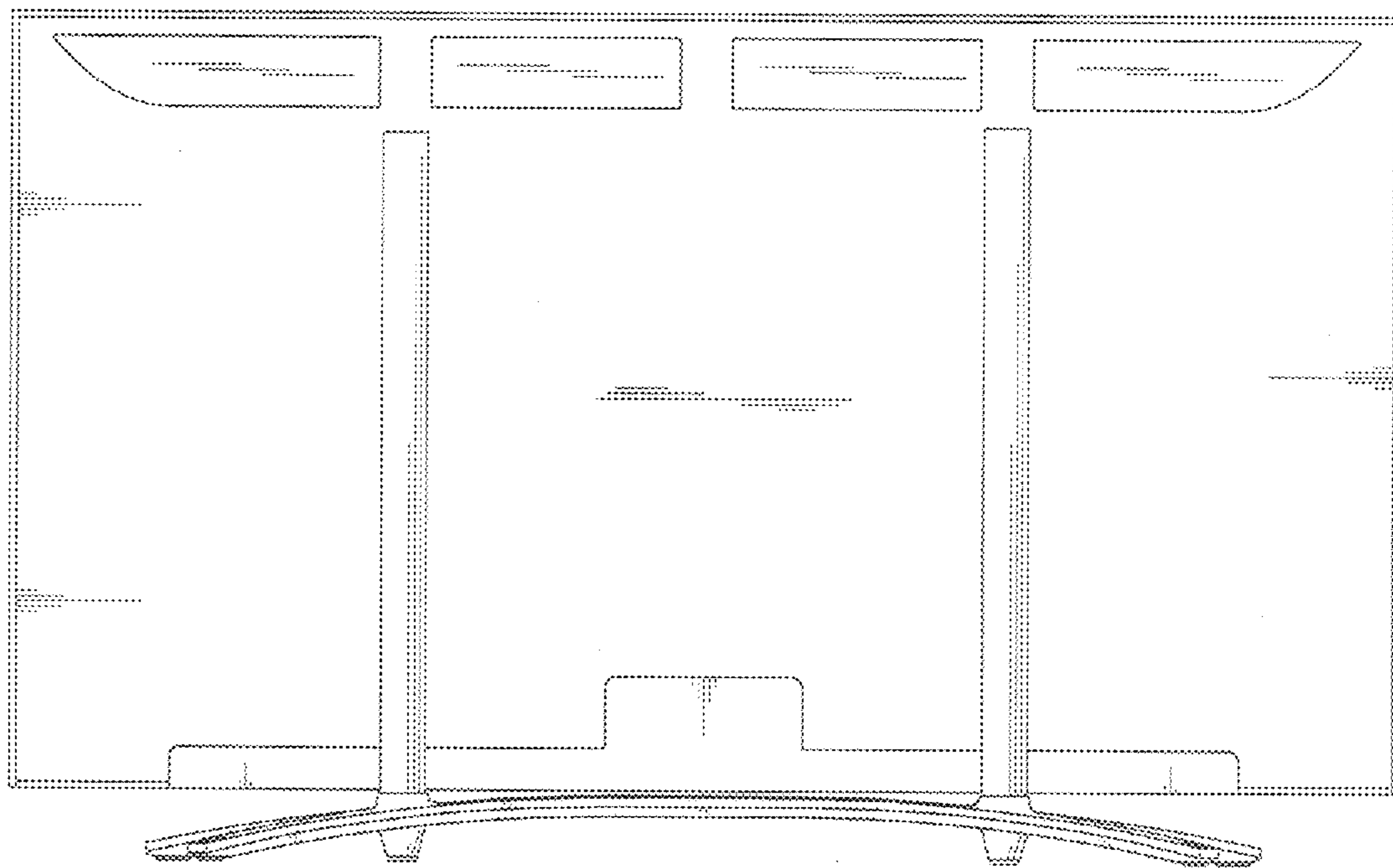


FIG. 4

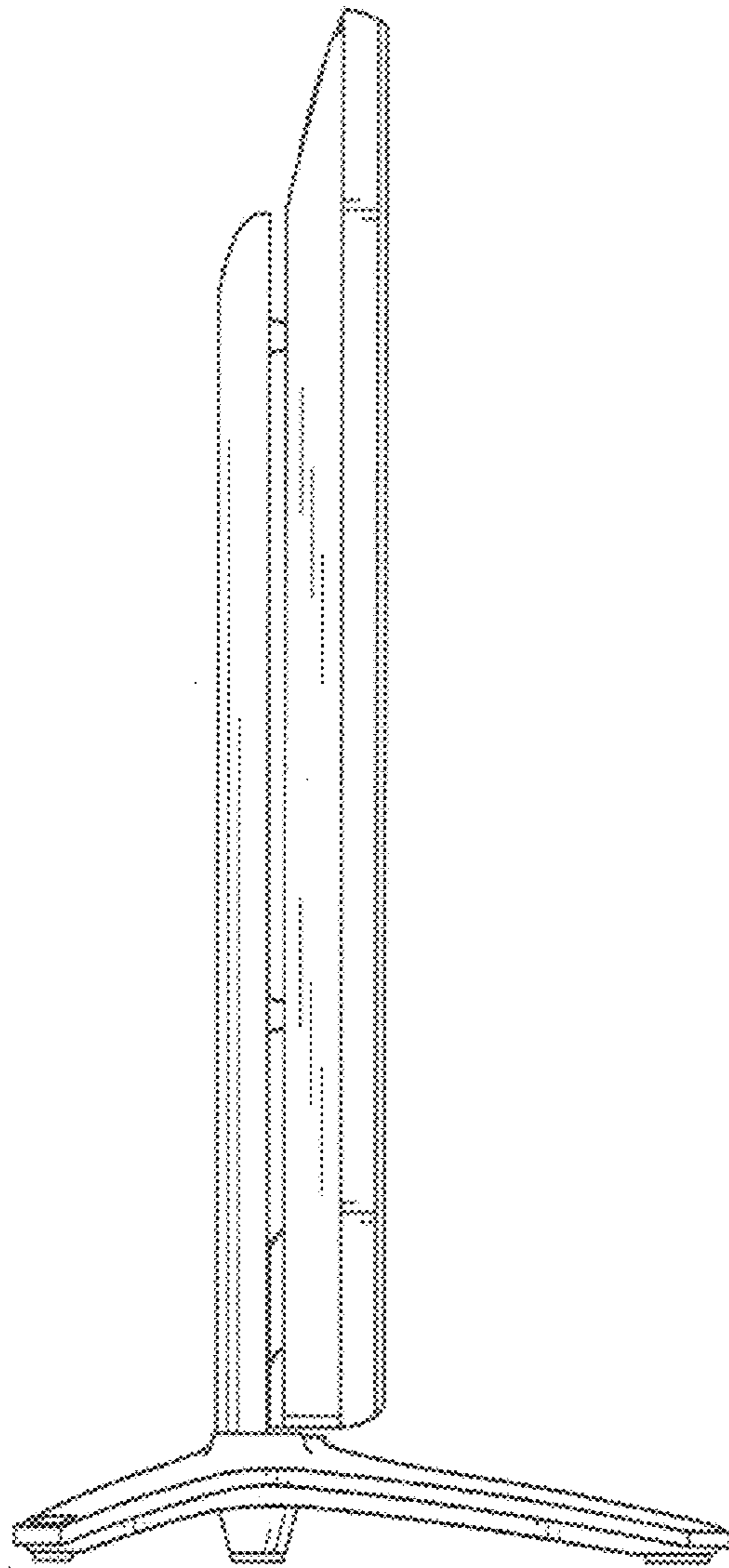


FIG. 5

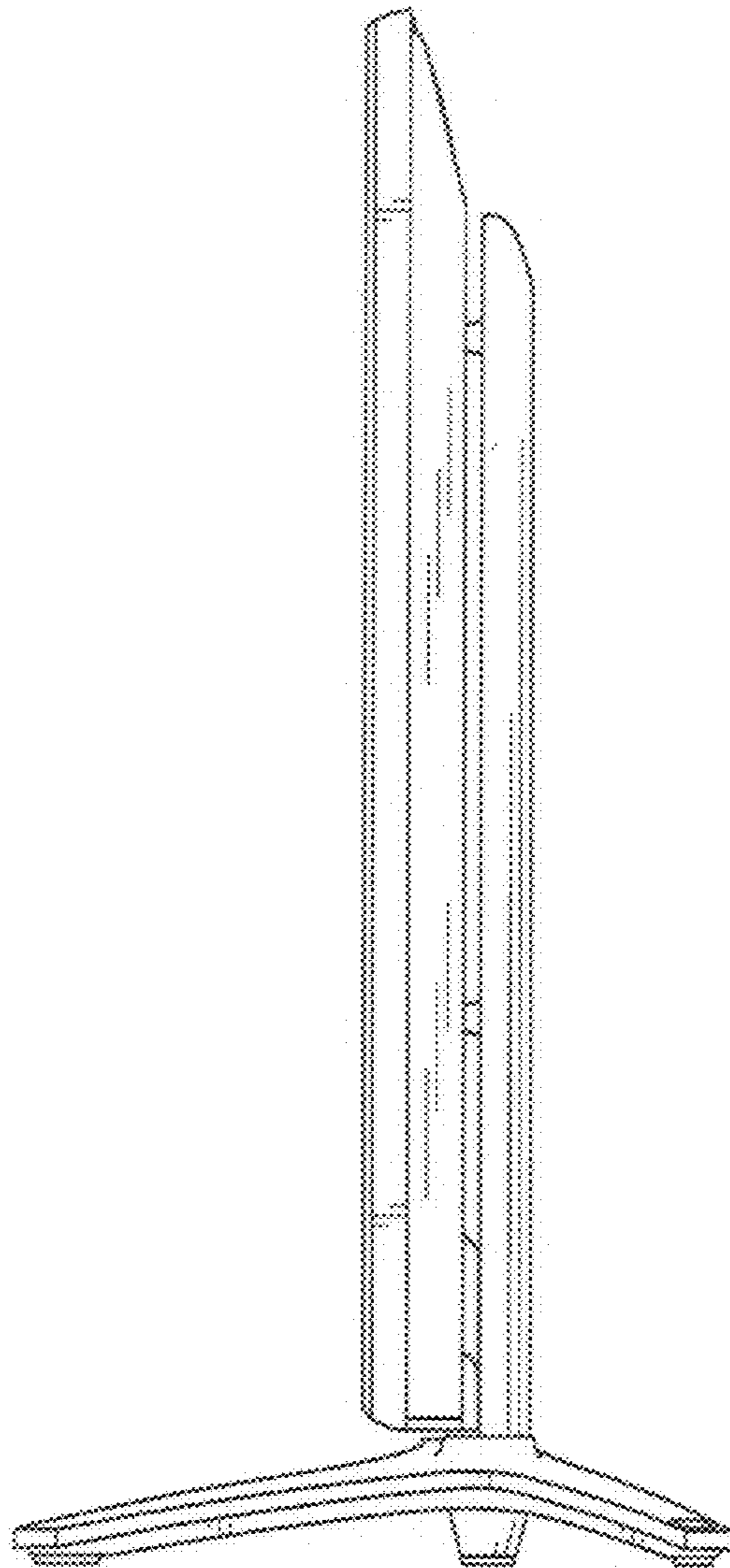


FIG. 6

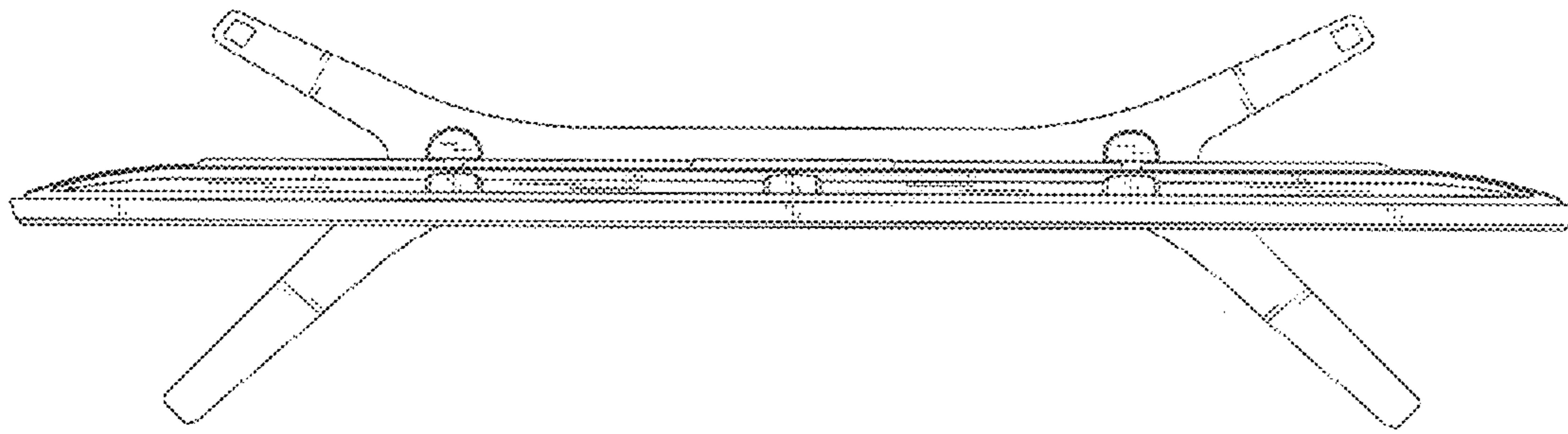


FIG. 7

