



US00D666164S

(12) **United States Design Patent**
Oda et al.

(10) **Patent No.:** **US D666,164 S**

(45) **Date of Patent:** **** Aug. 28, 2012**

(54) **TELEVISION SET**

(75) Inventors: **Yoshiteru Oda**, Hirakata (JP); **Hiroshi Chino**, Osaka (JP); **Takumi Kibushi**, Daito (JP)

(73) Assignee: **Sanyo Electric Co., Ltd.**, Osaka (JP)

(**) Term: **14 Years**

(21) Appl. No.: **29/367,257**

(22) Filed: **Aug. 5, 2010**

(51) **LOC (9) Cl.** **14-03**

(52) **U.S. Cl.** **D14/126**

(58) **Field of Classification Search** D14/125-134, D14/239, 371, 136, 374-377, 440, 450, 448, D14/336, 342; 312/7.2; 348/836, 838, 180, 348/184, 325, 739; 341/12; 248/917-924, 248/465; 345/104, 133, 156, 168, 87, 173; 720/605, 669, 600, 655; 369/99, 197; 455/344, 455/347; D21/329, 515, 577, 622, 333, 433, D21/448, 452, 450, 331; D6/477, 479, 300; 273/148 B; 446/484, 175, 356; D10/15, D10/26

See application file for complete search history.

(56) **References Cited**

U.S. PATENT DOCUMENTS

D593,974 S * 6/2009 Yang et al. D14/126
D601,526 S * 10/2009 Chino et al. D14/126

D605,149 S * 12/2009 Kim et al. D14/126
D609,657 S * 2/2010 Ju et al. D14/126
D621,806 S * 8/2010 Nagase D14/126
D622,235 S * 8/2010 Lee et al. D14/126
D625,277 S * 10/2010 Lee et al. D14/126
D633,062 S * 2/2011 Chino et al. D14/126
D634,721 S * 3/2011 Baek et al. D14/126
D640,653 S * 6/2011 Takami D14/126

FOREIGN PATENT DOCUMENTS

JP D1363722 S 6/2009
JP D1379729 S 2/2010
JP D1380373 S 2/2010

* cited by examiner

Primary Examiner — Raphael Barkai

(74) *Attorney, Agent, or Firm* — McDermott Will & Emery LLP

(57) **CLAIM**

A ornamental design for television set, substantially as shown and described herein.

DESCRIPTION

FIG. 1 is a front, top, right-side perspective view thereof; FIG. 2 is a front elevation view thereof; FIG. 3 is a rear elevation view thereof; FIG. 4 is a top plain view thereof; FIG. 5 is a bottom plain view thereof; FIG. 6 is a left-side elevation view thereof; and, FIG. 7 is a right-side elevation view thereof.

1 Claim, 3 Drawing Sheets

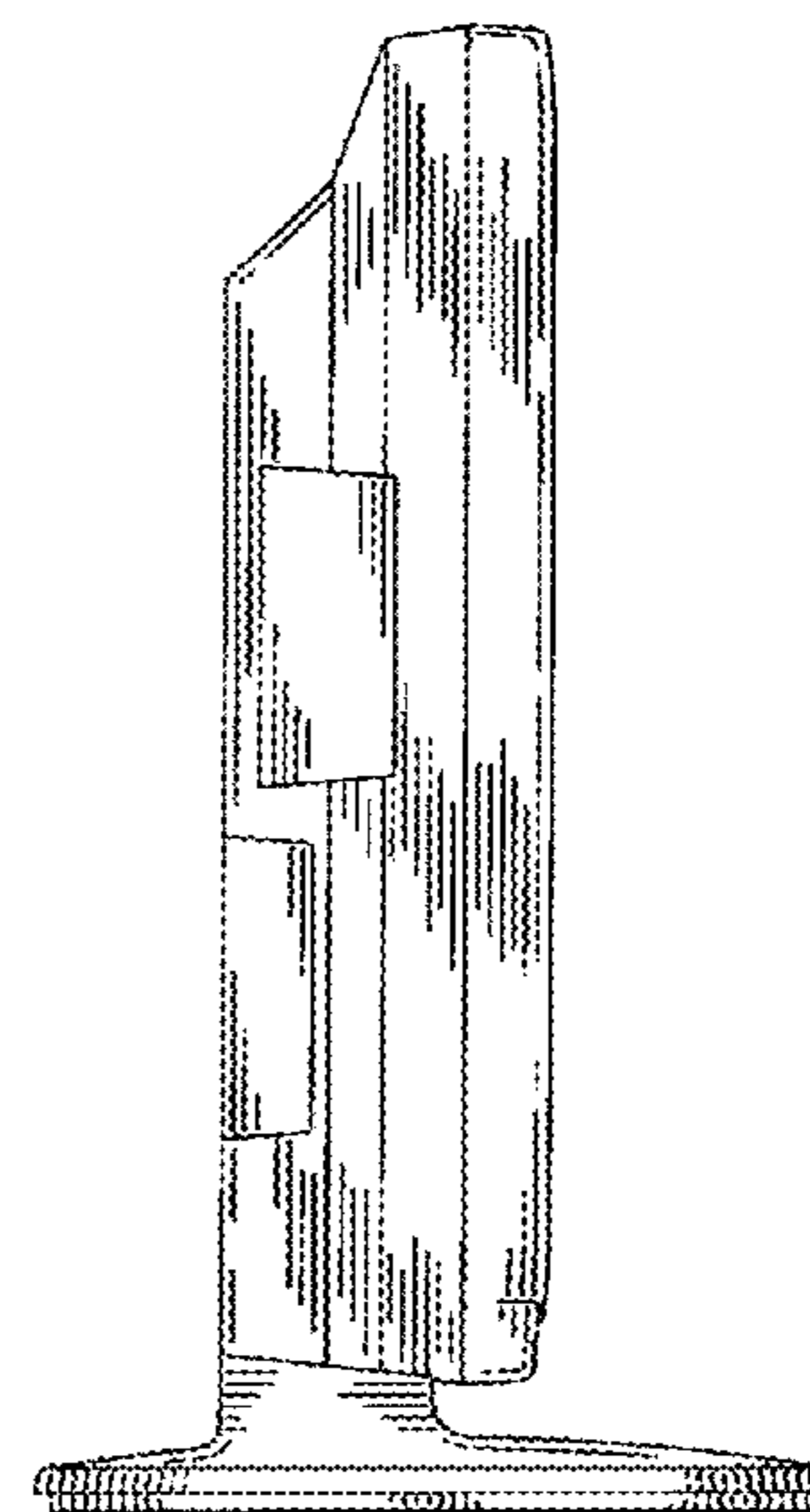
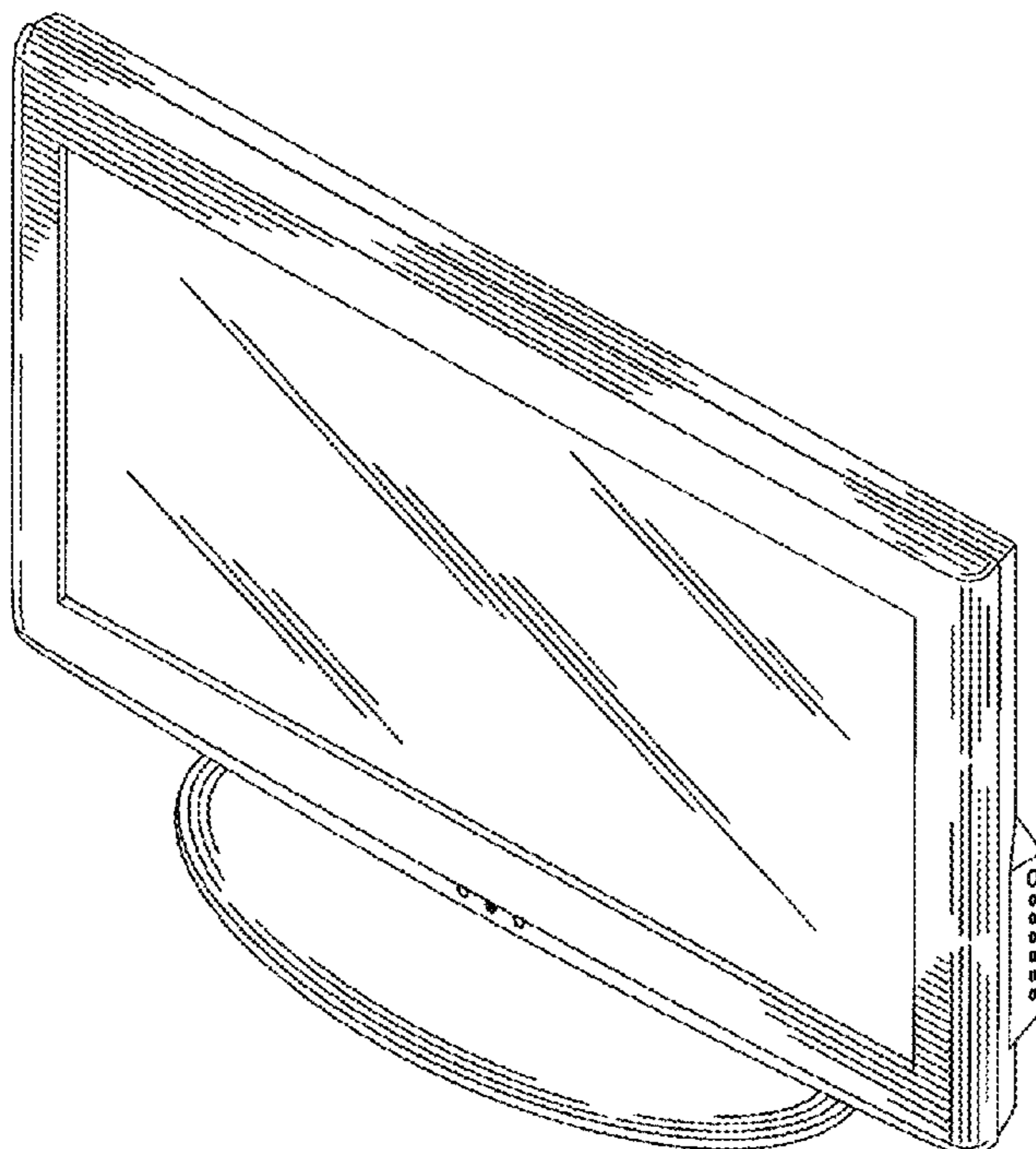


Fig.1

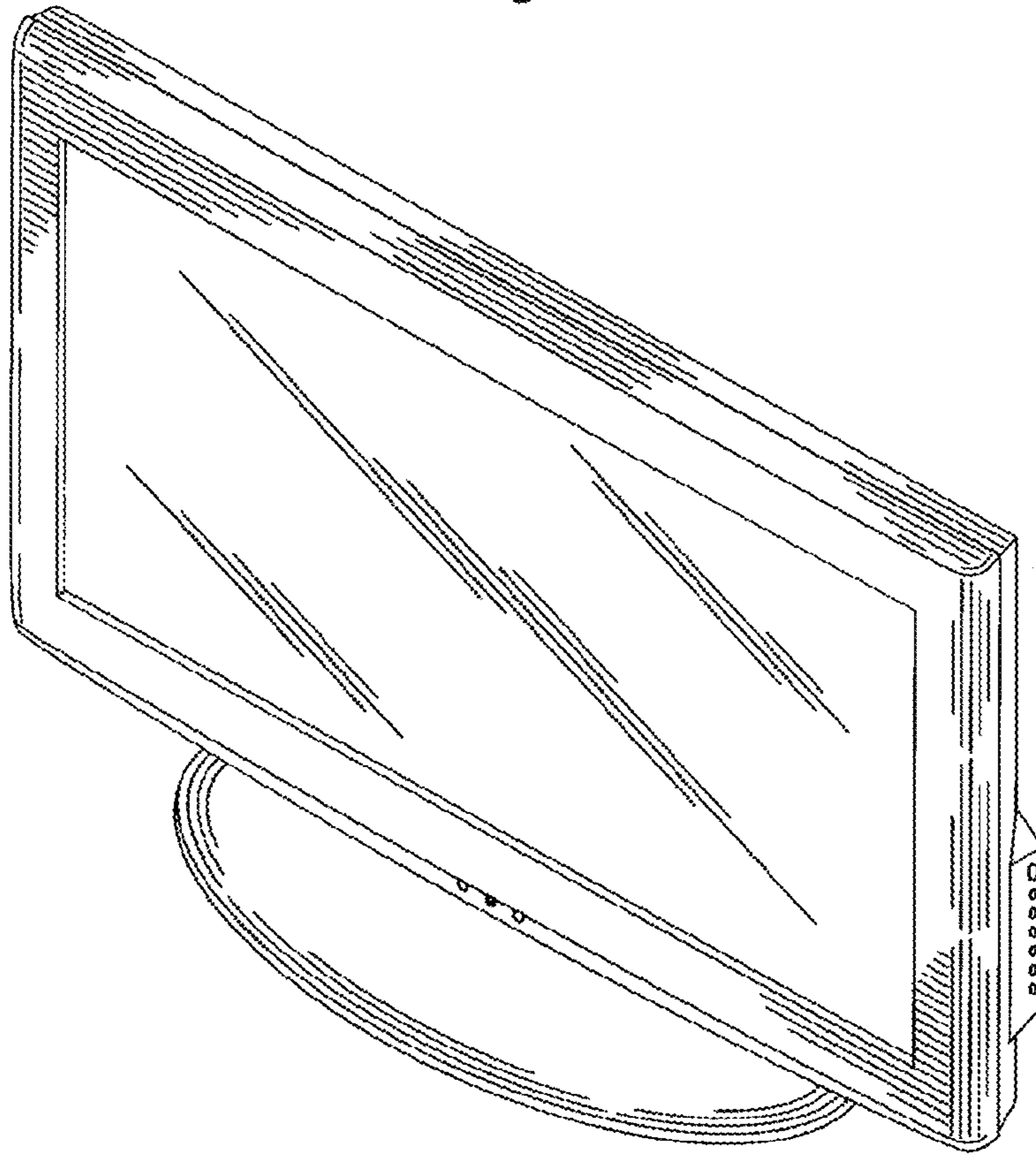


Fig.2

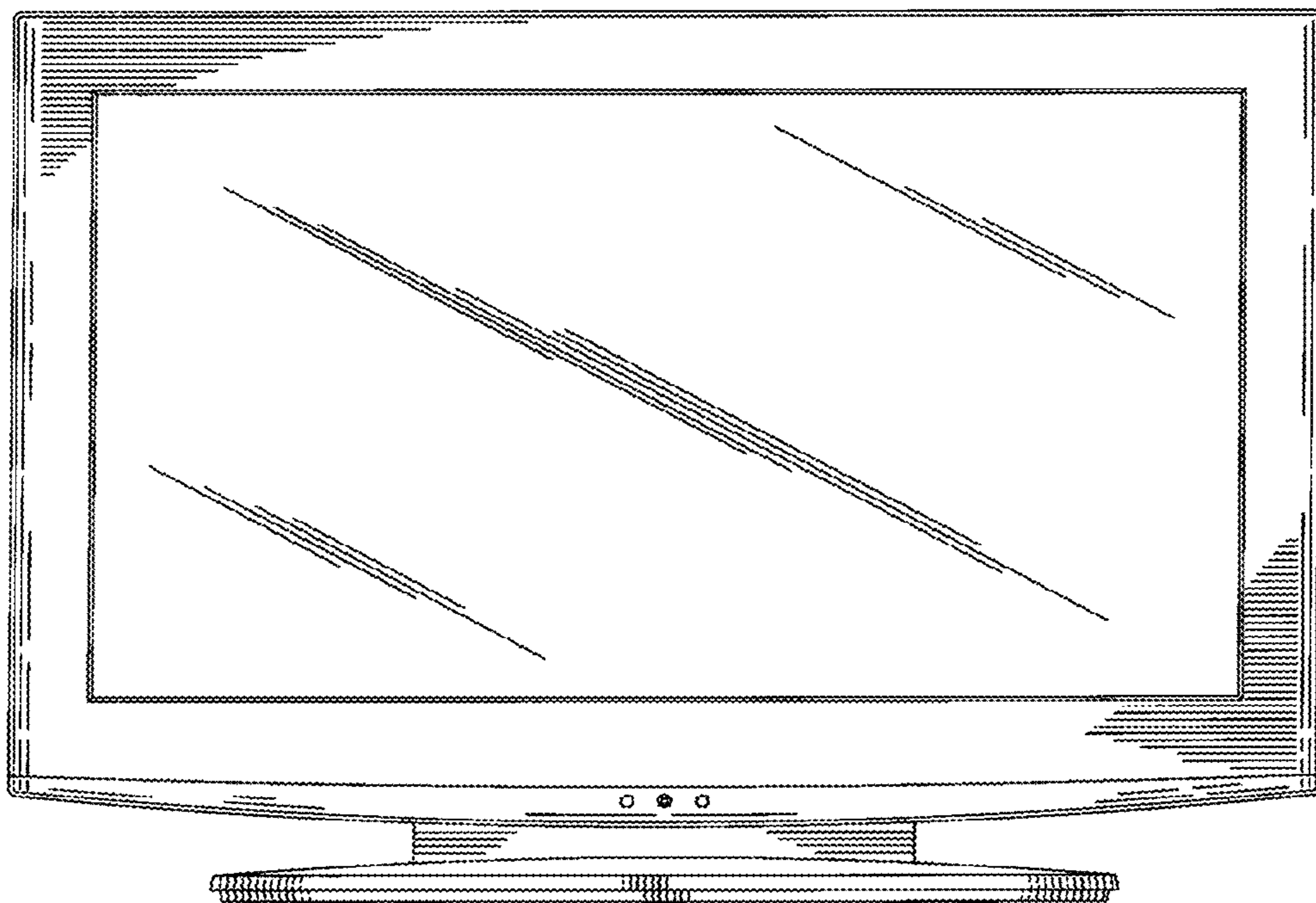


Fig.3

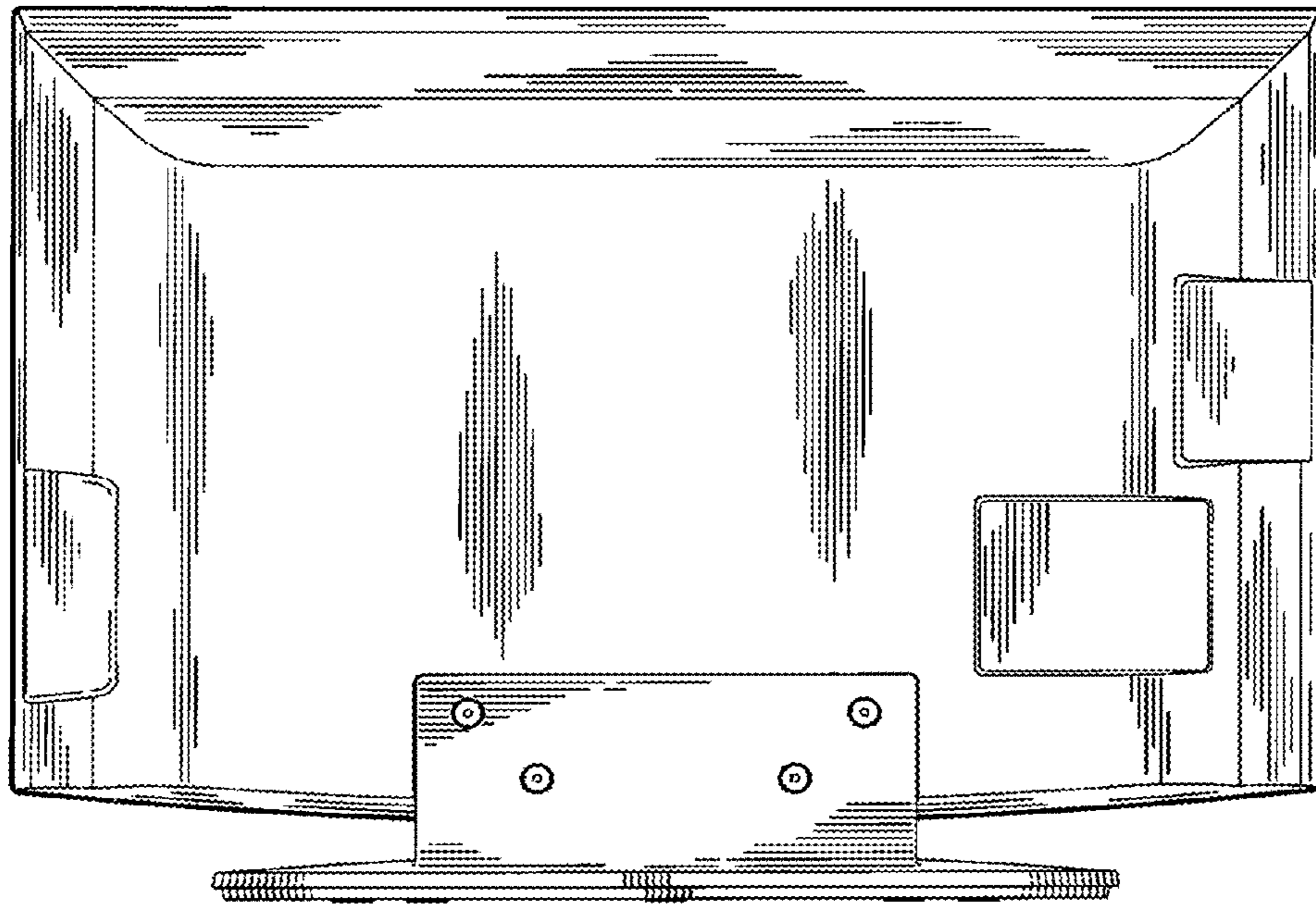


Fig.4

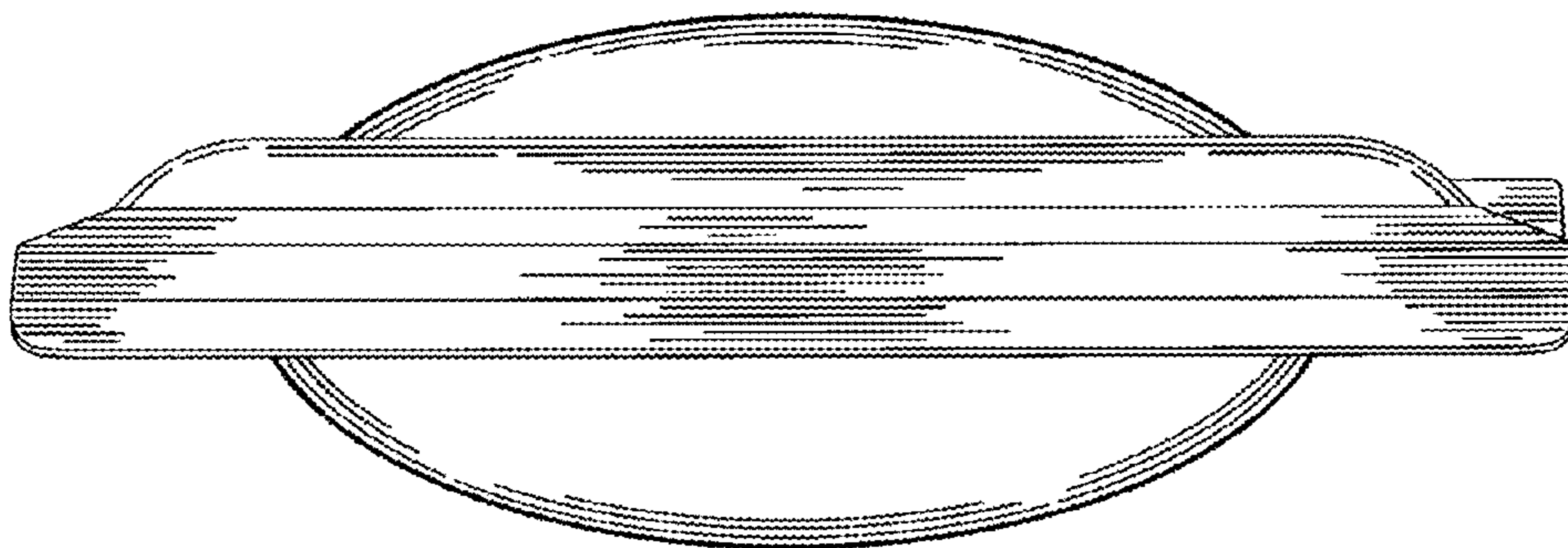


Fig.5

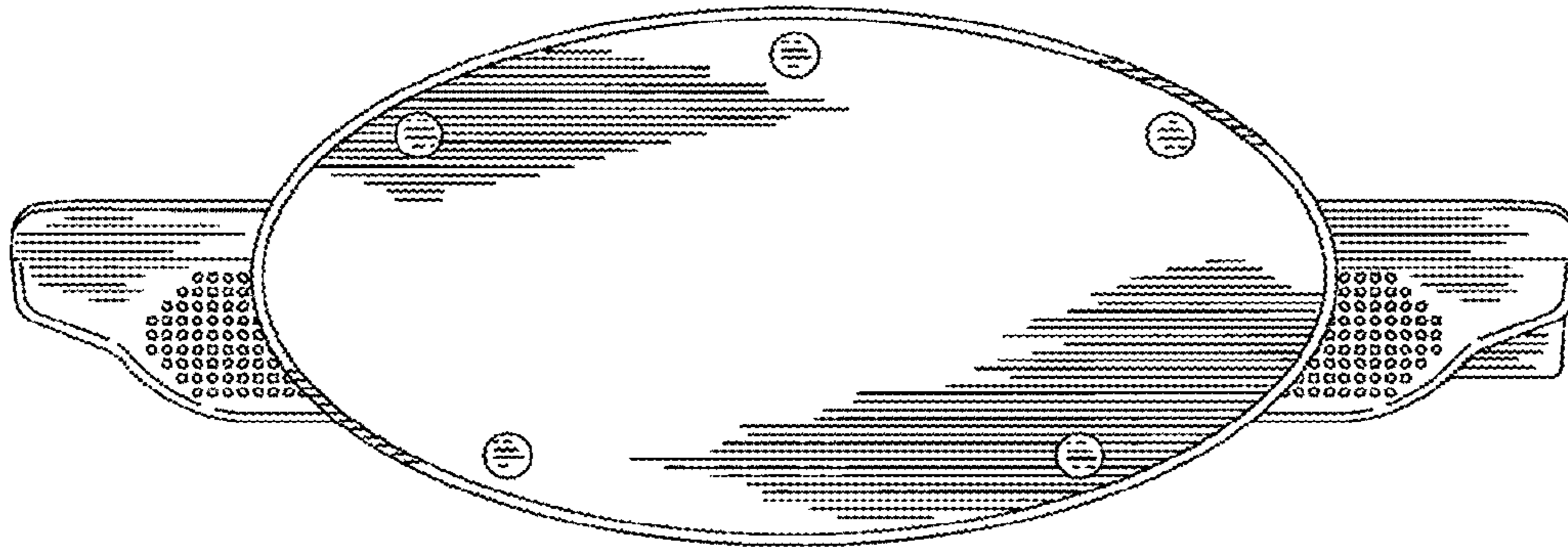


Fig.6

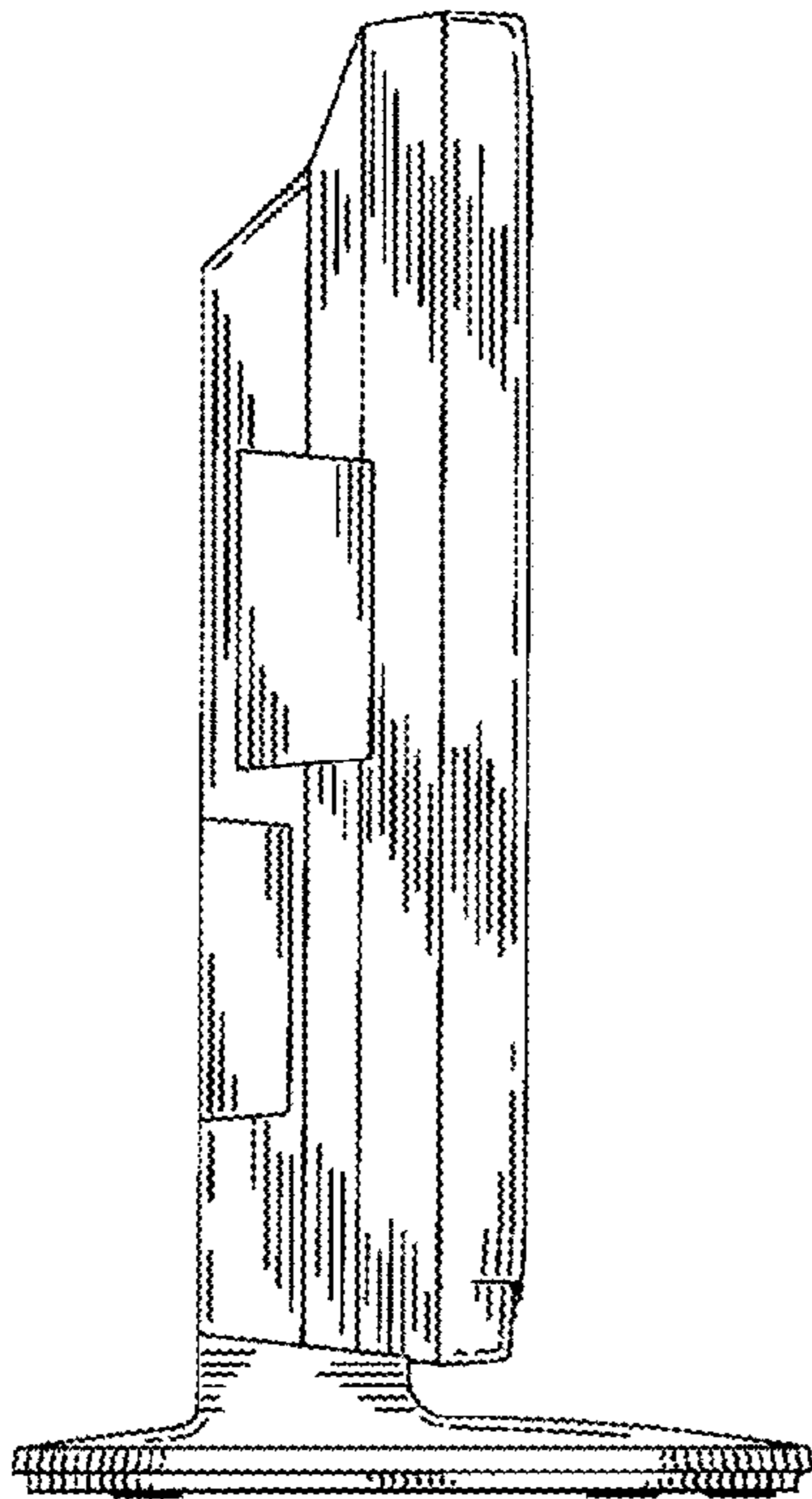
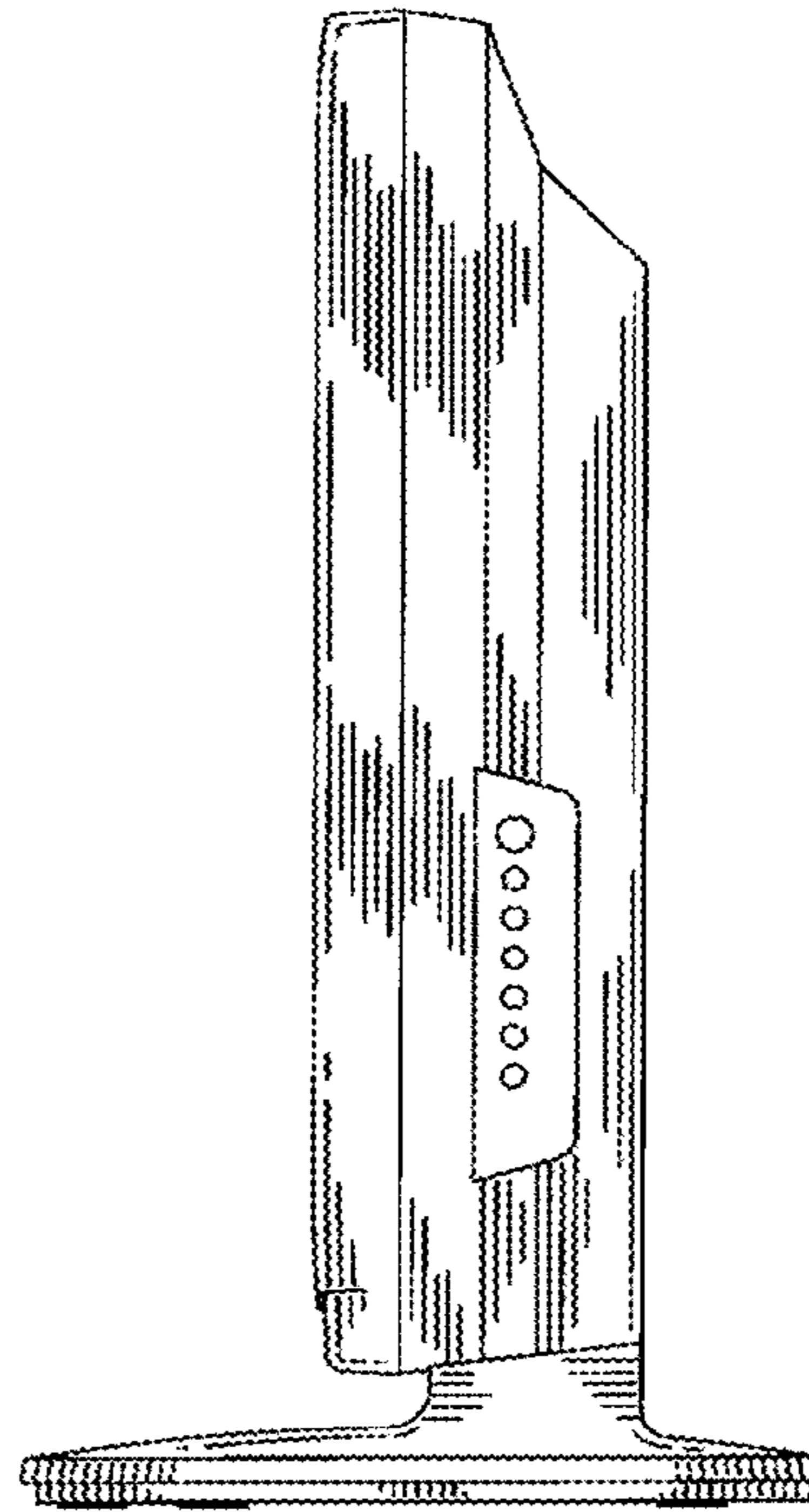


Fig.7



UNITED STATES PATENT AND TRADEMARK OFFICE
CERTIFICATE OF CORRECTION

PATENT NO. : D666,164 S
APPLICATION NO. : 29/367257
DATED : August 28, 2012
INVENTOR(S) : Yoshiteru Oda et al.

Page 1 of 1

It is certified that error appears in the above-identified patent and that said Letters Patent is hereby corrected as shown below:

Title Page

Specifically, in Section (30) Foreign Application Priority Data is missing. Please add JP Application No. 2010-004663 with a filing date of February 26, 2010.

Signed and Sealed this
Ninth Day of April, 2013



Teresa Stanek Rea
Acting Director of the United States Patent and Trademark Office