



US00D666163S

(12) **United States Design Patent**  
**Hsu**

(10) **Patent No.:** **US D666,163 S**

(45) **Date of Patent:** **\*\* Aug. 28, 2012**

(54) **SET-TOP BOX**

(75) Inventor: **Yi-Heng Hsu**, New Taipei (TW)

(73) Assignee: **Hon Hai Precision Industry Co., Ltd.**,  
Tu-Cheng, New Taipei (TW)

(\*\*) Term: **14 Years**

(21) Appl. No.: **29/412,798**

(22) Filed: **Feb. 8, 2012**

(51) **LOC (9) Cl.** ..... **14-03**

(52) **U.S. Cl.** ..... **D14/125**

(58) **Field of Classification Search** ..... D14/125,  
D14/357-358, 496, 188, 242, 432; D13/184;  
348/10, 460, 706, 731; 340/825.03; 455/6.1,  
455/6.2; 312/223.1, 7.2

See application file for complete search history.

(56) **References Cited**

U.S. PATENT DOCUMENTS

D585,395 S \* 1/2009 Cho et al. .... D14/125  
D592,619 S \* 5/2009 Woo et al. .... D14/125  
D605,145 S \* 12/2009 Kellar ..... D14/125

D648,722 S \* 11/2011 Meyerhoffer et al. .... D14/346  
D649,946 S \* 12/2011 Do et al. .... D14/125  
D654,445 S \* 2/2012 Daniel ..... D14/125

\* cited by examiner

*Primary Examiner* — Raphael Barkai

*Assistant Examiner* — Randall Gholson

(74) *Attorney, Agent, or Firm* — Altis Law Group, Inc.

(57) **CLAIM**

The ornamental design for a set-top box, as shown and described.

**DESCRIPTION**

FIG. 1 is a perspective view of a set-top box showing my new design;

FIG. 2 is a front elevational view thereof;

FIG. 3 is a rear elevational view thereof;

FIG. 4 is a left side elevational view thereof;

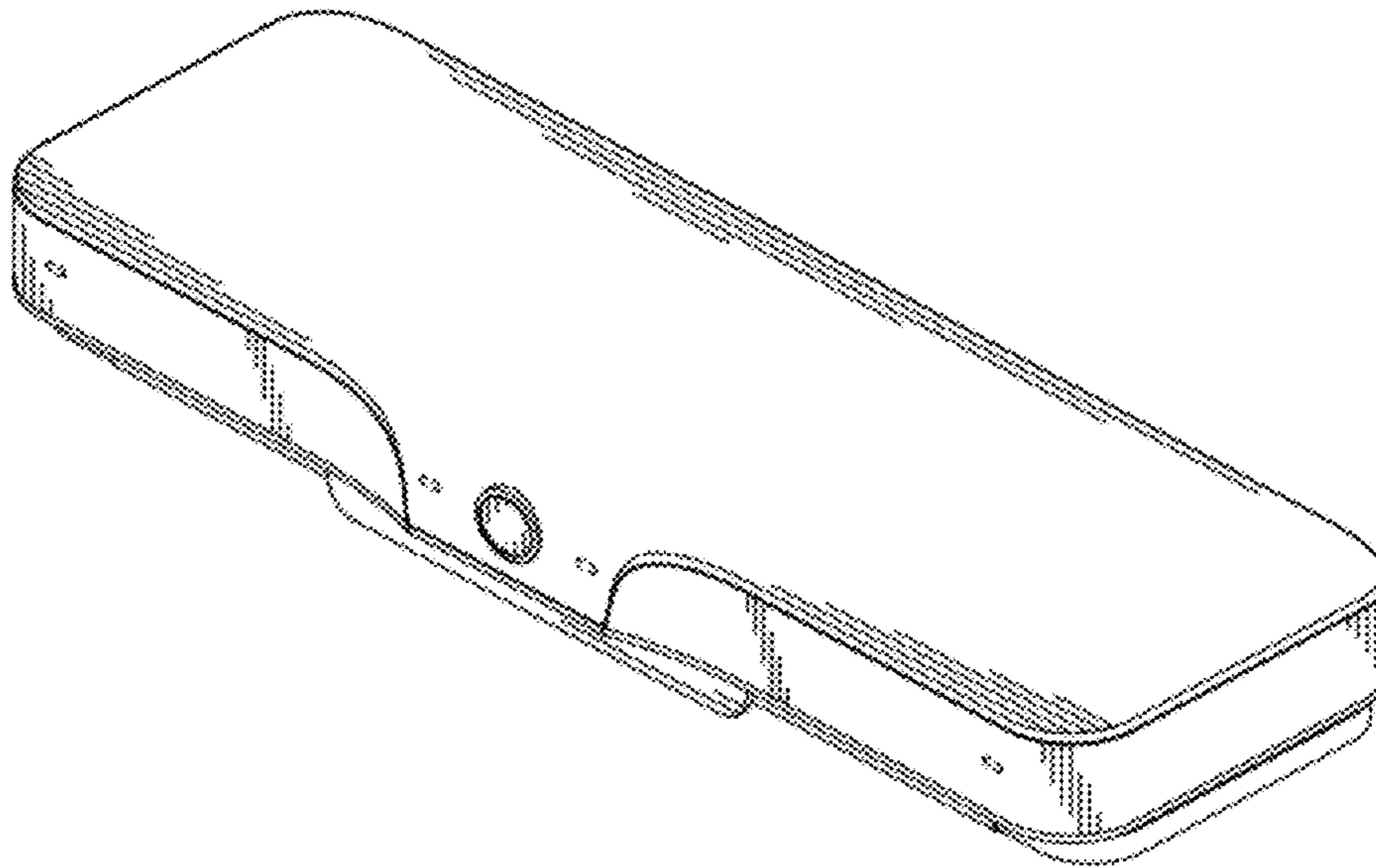
FIG. 5 is a right side elevational view thereof;

FIG. 6 is a top plan view thereof; and,

FIG. 7 is a bottom plan view thereof.

The broken lines are for illustrative purposes only and form no part of the claimed design.

**1 Claim, 7 Drawing Sheets**



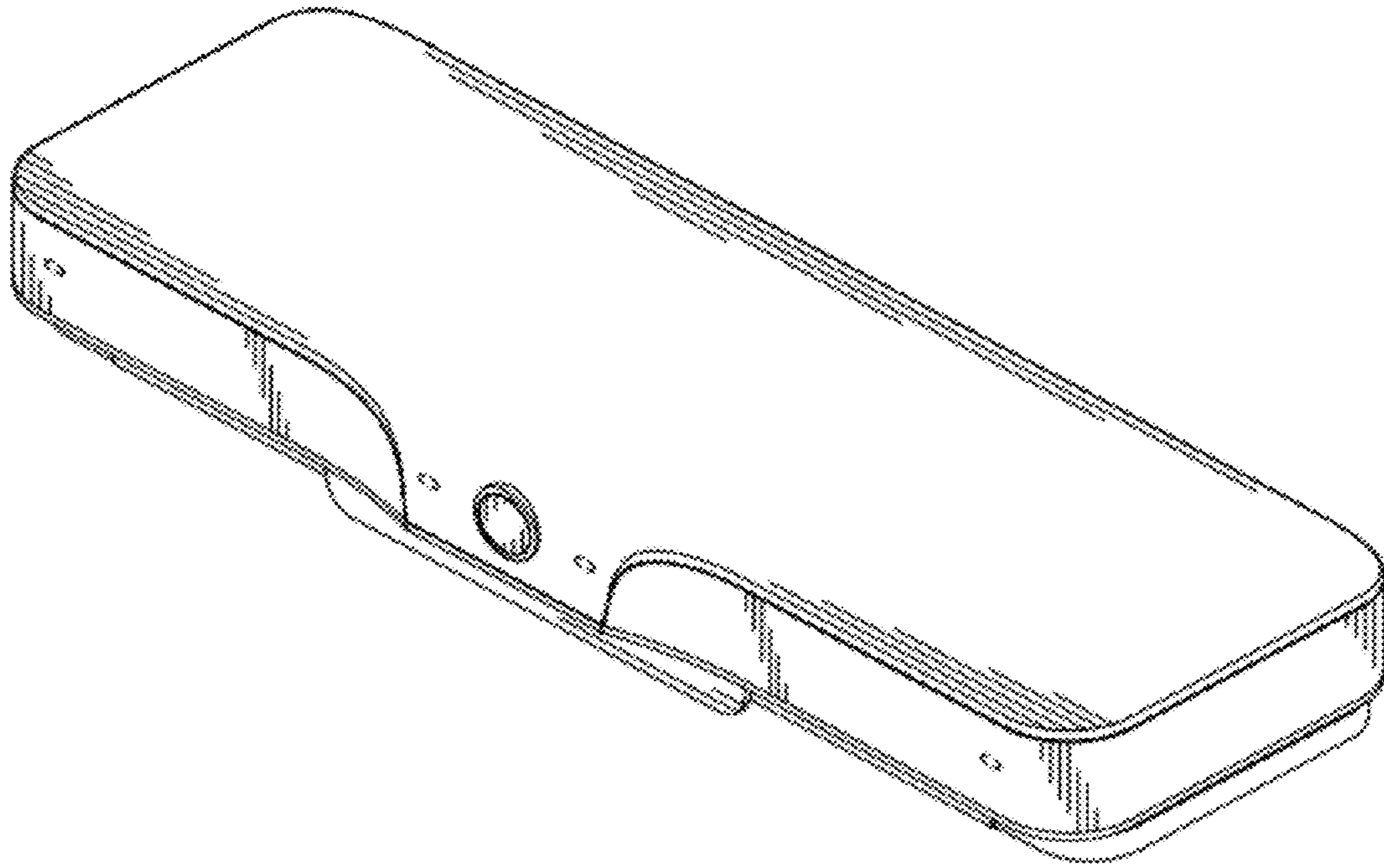


FIG. 1

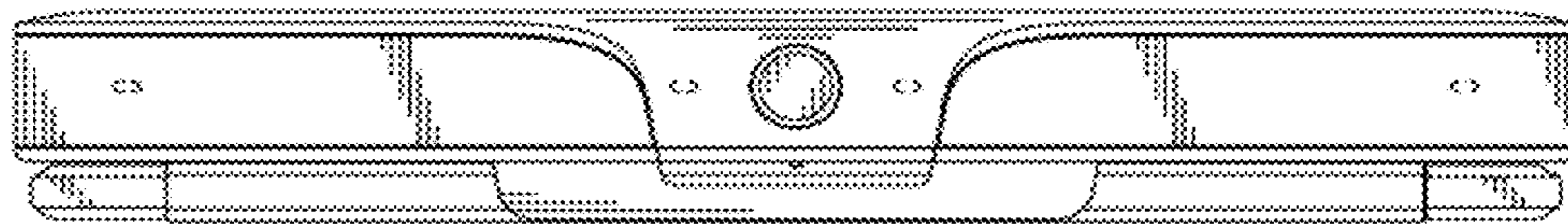


FIG. 2

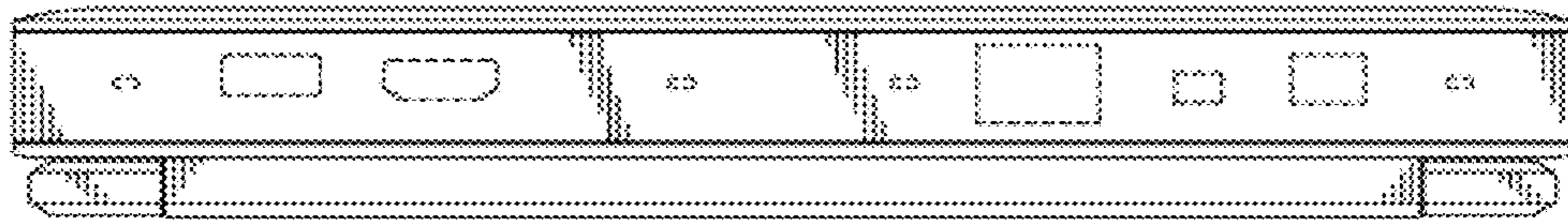


FIG. 3

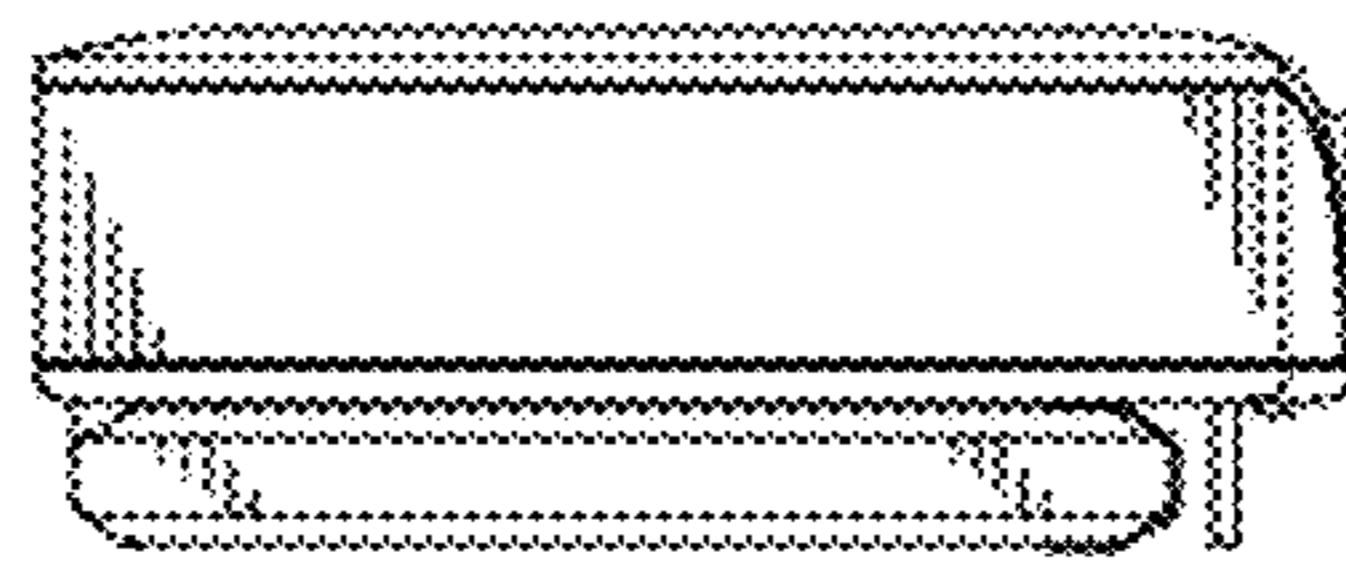


FIG. 4

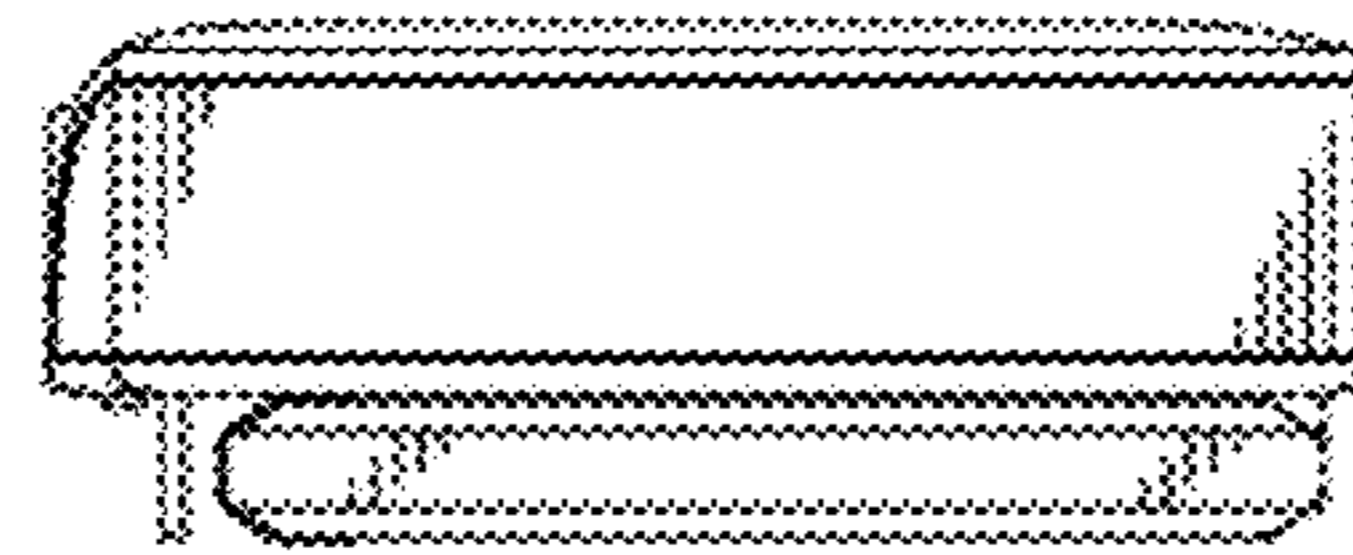


FIG. 5

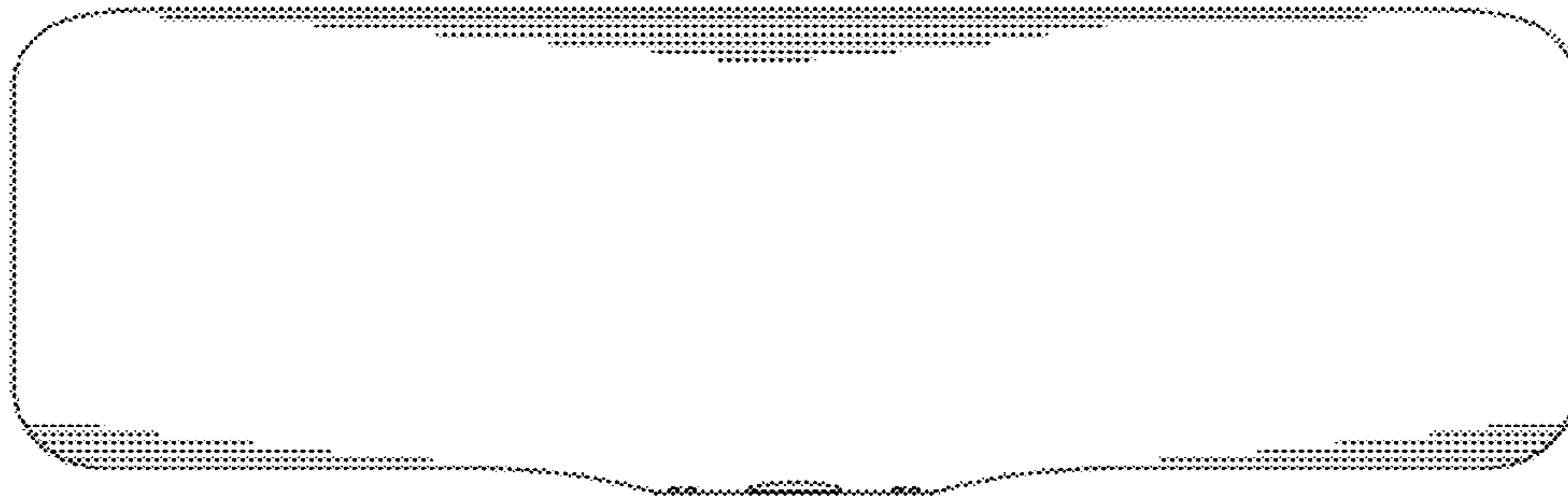


FIG. 6

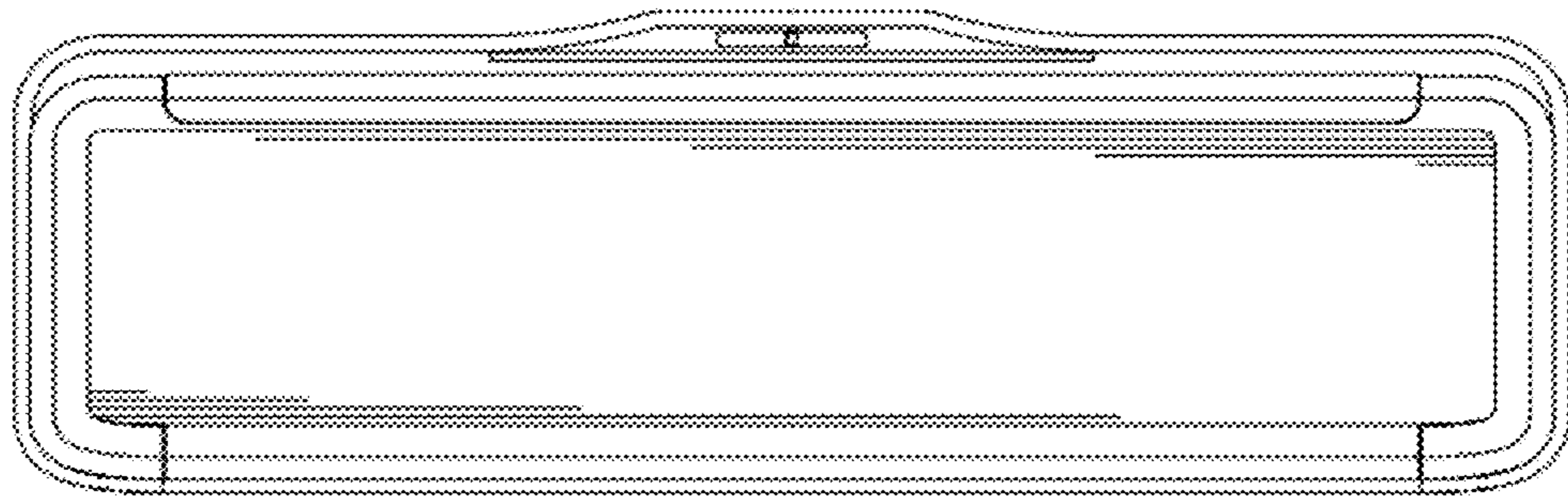


FIG. 7