



US00D666156S

(12) **United States Design Patent**
Auguste et al.

(10) **Patent No.:** **US D666,156 S**

(45) **Date of Patent:** **** Aug. 28, 2012**

(54) **GASKET FOR AN ELECTRIC PLUG**

(75) Inventors: **Donna Marie Auguste**, Denver, CO
(US); **David Edward Hayes**, Denver,
CO (US)

(73) Assignee: **Alpha and Omega, Inc.**, Denver, CO
(US)

(**) Term: **14 Years**

(21) Appl. No.: **29/367,057**

(22) Filed: **Aug. 2, 2010**

(51) **LOC (9) Cl.** **13-03**

(52) **U.S. Cl.** **D13/156**

(58) **Field of Classification Search** D13/156,
D13/133, 137.1, 137.2, 138.1, 138.2, 154,
D13/177, 184, 199; D8/352, 353, 354; D9/439;
174/1, 66, 67; 439/89, 109, 152, 445, 625,
439/651, 721, 934, 956

See application file for complete search history.

(56) **References Cited**

U.S. PATENT DOCUMENTS

2,448,339	A *	8/1948	Williams	200/51.02
4,618,740	A *	10/1986	Ray et al.	174/67
D295,622	S *	5/1988	Good et al.	D13/137.3
5,007,857	A *	4/1991	Wright	439/490
D359,270	S *	6/1995	Connelly	D13/154
D360,190	S *	7/1995	Fabich, Sr.	D13/156
D369,142	S *	4/1996	Hedrick	D13/138.1

D370,846	S *	6/1996	Hanna	D9/439
D383,727	S *	9/1997	Caruso et al.	D13/156
D440,203	S *	4/2001	Ewing et al.	D13/137.2
D462,056	S *	8/2002	Chung	D13/137.1
6,840,813	B2 *	1/2005	Kim	439/651
6,884,125	B2 *	4/2005	Chen	439/848
D595,238	S *	6/2009	Vigorito et al.	D13/156
D622,217	S *	8/2010	Green	D13/137.2
D636,336	S *	4/2011	Clark	D13/137.2

* cited by examiner

Primary Examiner — Derrick Holland

(74) *Attorney, Agent, or Firm* — TIPS Group

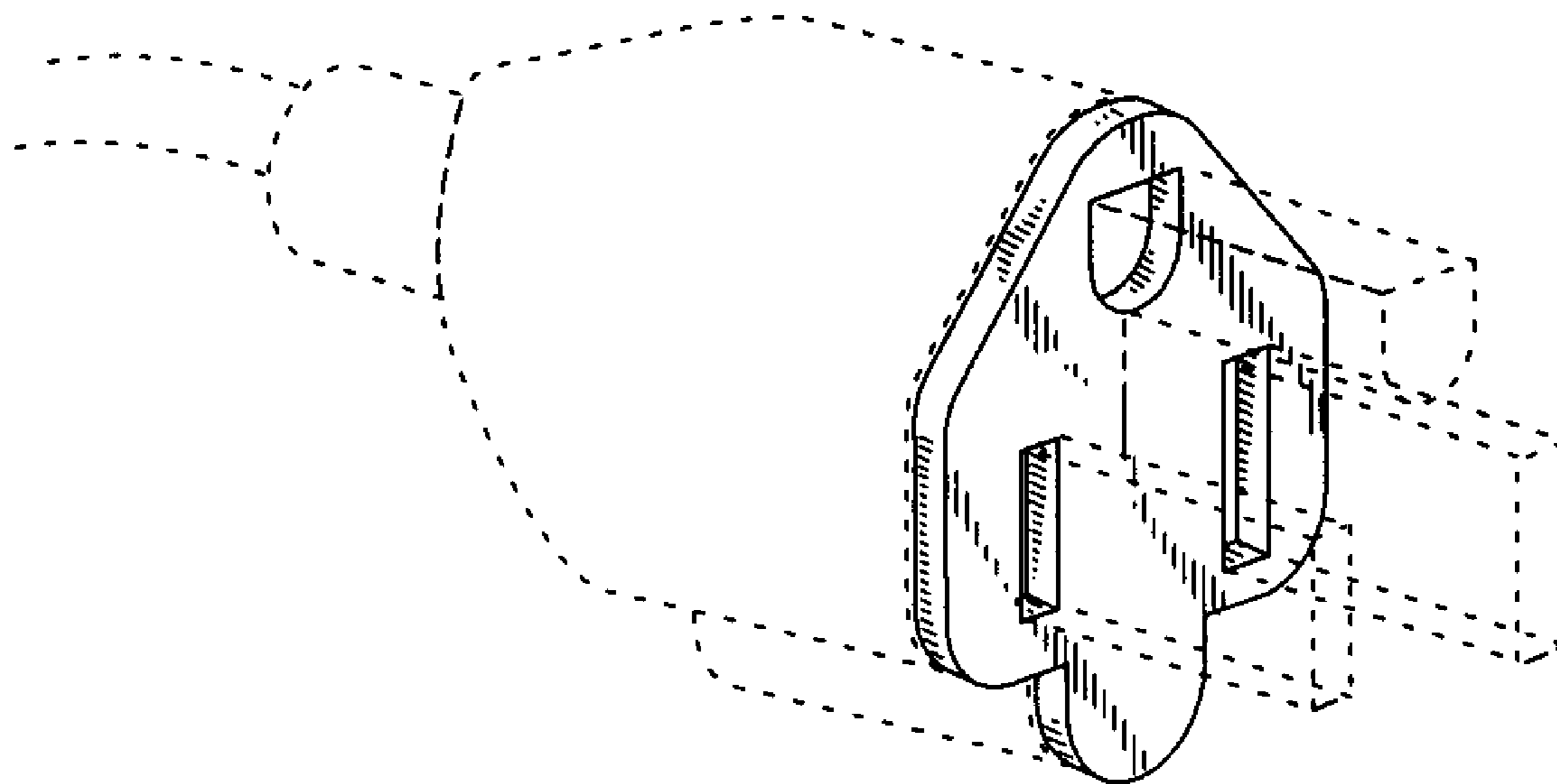
(57) **CLAIM**

The ornamental design for a gasket for an electric plug, as shown and described.

DESCRIPTION

FIG. 1 is a perspective view of a gasket for an electric plug showing our new design;
 FIG. 2 is a front elevational view thereof, the rear elevational view being a mirror image;
 FIG. 3 is a top plan view thereof;
 FIG. 4 is a bottom plan view thereof; and,
 FIG. 5 is a left side elevational view thereof, the right side elevational view being a mirror image.
 The broken lines shown represent unclaimed subject matter and form no part of the claimed design.

1 Claim, 1 Drawing Sheet



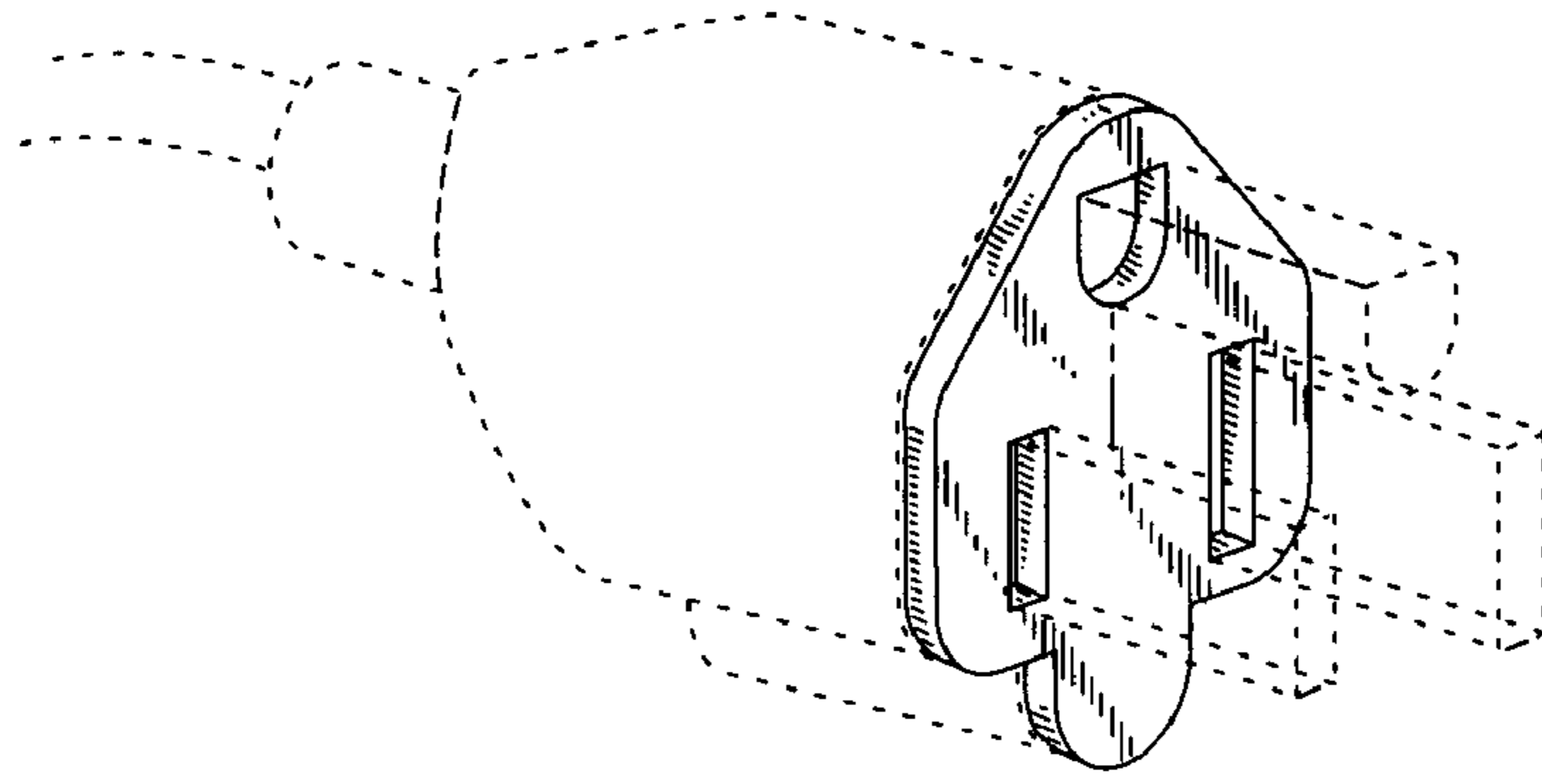


FIG. 1

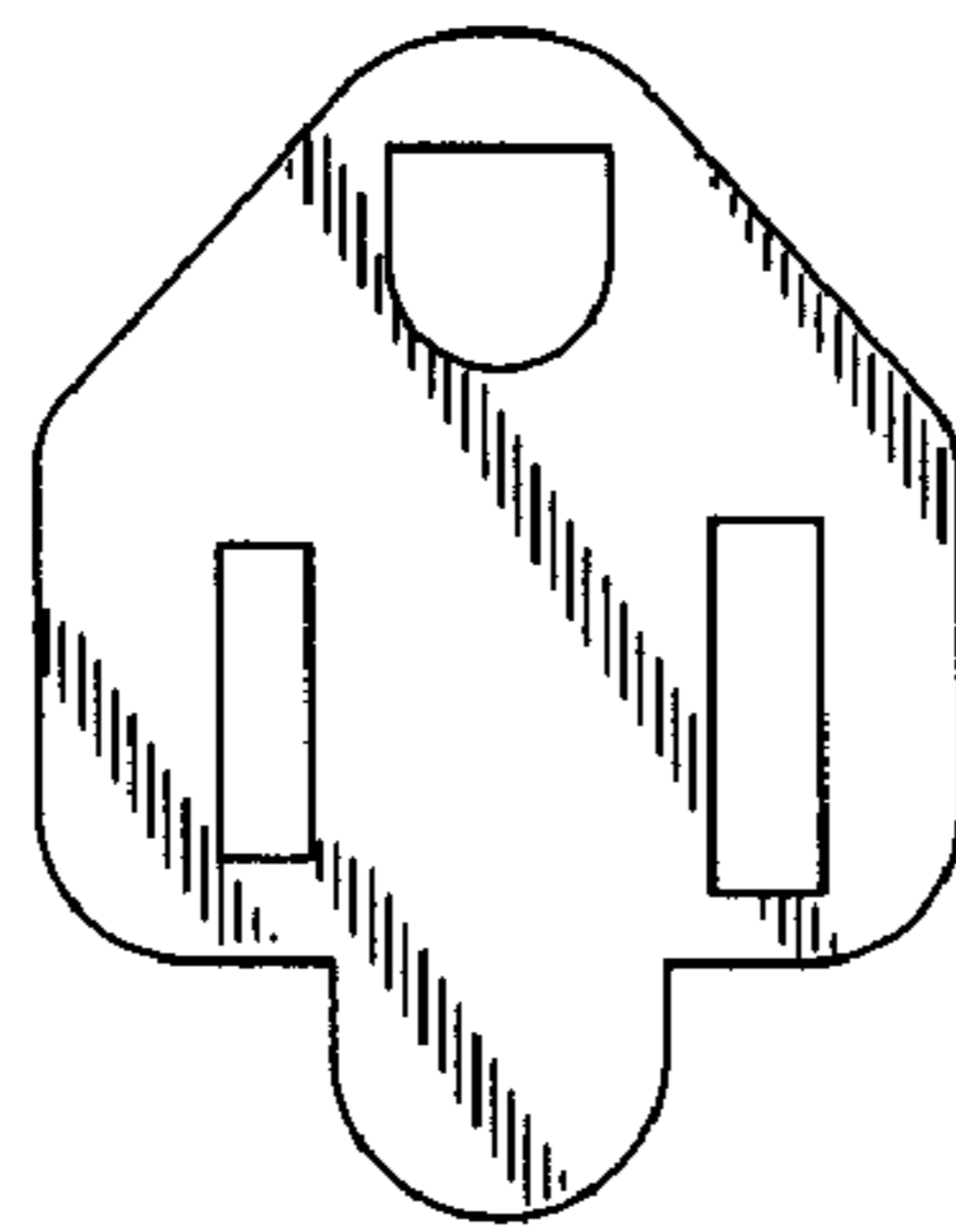


FIG. 2



FIG. 3

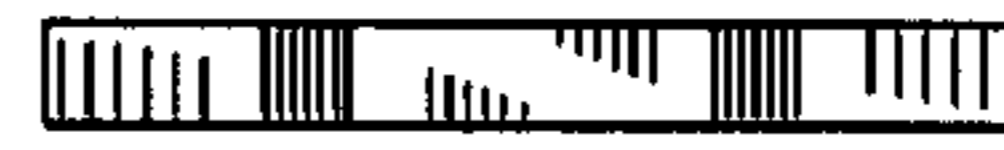


FIG. 4



FIG. 5