



US00D666155S

(12) **United States Design Patent**
Chiu et al.

(10) **Patent No.:** **US D666,155 S**

(45) **Date of Patent:** **** Aug. 28, 2012**

(54) **ENCLOSURE OF CAVITY FILTER**

(75) Inventors: **Mu-Jung Chiu**, Taipei Hsien (TW);
Jane-Yi Pieh, Taipei Hsien (TW)

(73) Assignee: **Hon Hai Precision Industry Co., Ltd.**,
Tu-Cheng, New Taipei (TW)

(**) Term: **14 Years**

(21) Appl. No.: **29/366,506**

(22) Filed: **Jul. 26, 2010**

(51) **LOC (9) Cl.** **13-03**

(52) **U.S. Cl.** **D13/156**

(58) **Field of Classification Search** D13/156,
D13/123, 124, 147, 152, 155, 158, 173, 182,
D13/184; 333/202, 203, 204, 205, 206, 208,
333/210, 211, 212

See application file for complete search history.

(56) **References Cited**

U.S. PATENT DOCUMENTS

D327,055	S	*	6/1992	Derbyshire	D13/156
D425,488	S	*	5/2000	Byrd et al.	D13/154
D456,013	S	*	4/2002	Heckenkamp	D13/184
D462,329	S	*	9/2002	Hughes et al.	D13/152

6,559,740	B1	*	5/2003	Schulz et al.	333/202
6,664,872	B2	*	12/2003	Channabasappa et al.	...	333/202
D550,622	S	*	9/2007	Shih	D13/118
D553,094	S	*	10/2007	Pape et al.	D13/158
7,834,721	B2	*	11/2010	Juri	333/202

* cited by examiner

Primary Examiner — Derrick Holland

(74) *Attorney, Agent, or Firm* — Altis Law Group, Inc.

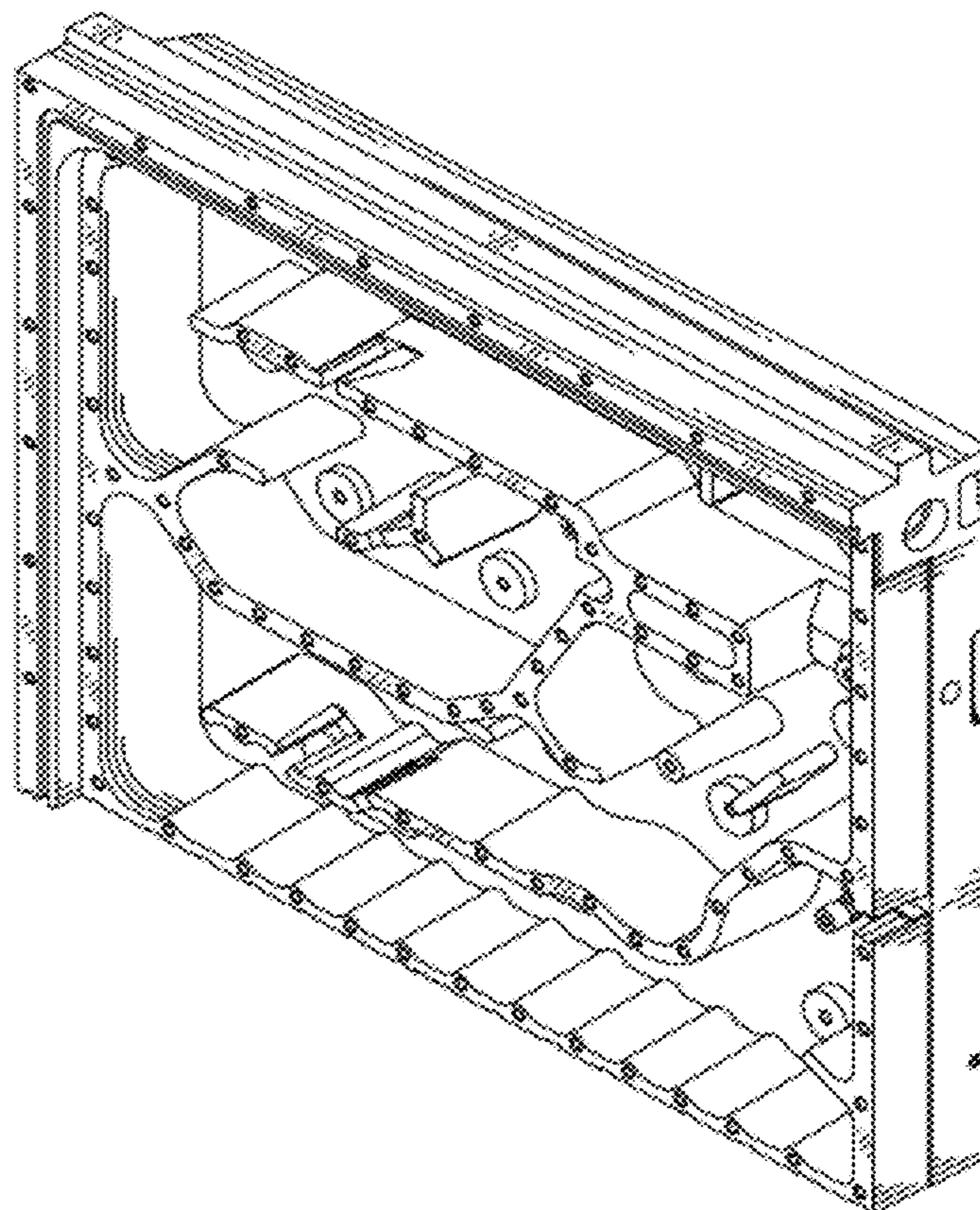
(57) **CLAIM**

The ornamental design for an enclosure of cavity filter, as shown and described.

DESCRIPTION

FIG. 1 is a perspective view of an enclosure of cavity filter showing our new design;
FIG. 2 is a front elevational view thereof;
FIG. 3 is a rear elevational view thereof;
FIG. 4 is a left side elevational view thereof;
FIG. 5 is a right side elevational view thereof;
FIG. 6 is a top plan view thereof; and,
FIG. 7 is a bottom plan view thereof.
The broken lines shown represent unclaimed subject matter and form no part of the claimed design.

1 Claim, 7 Drawing Sheets



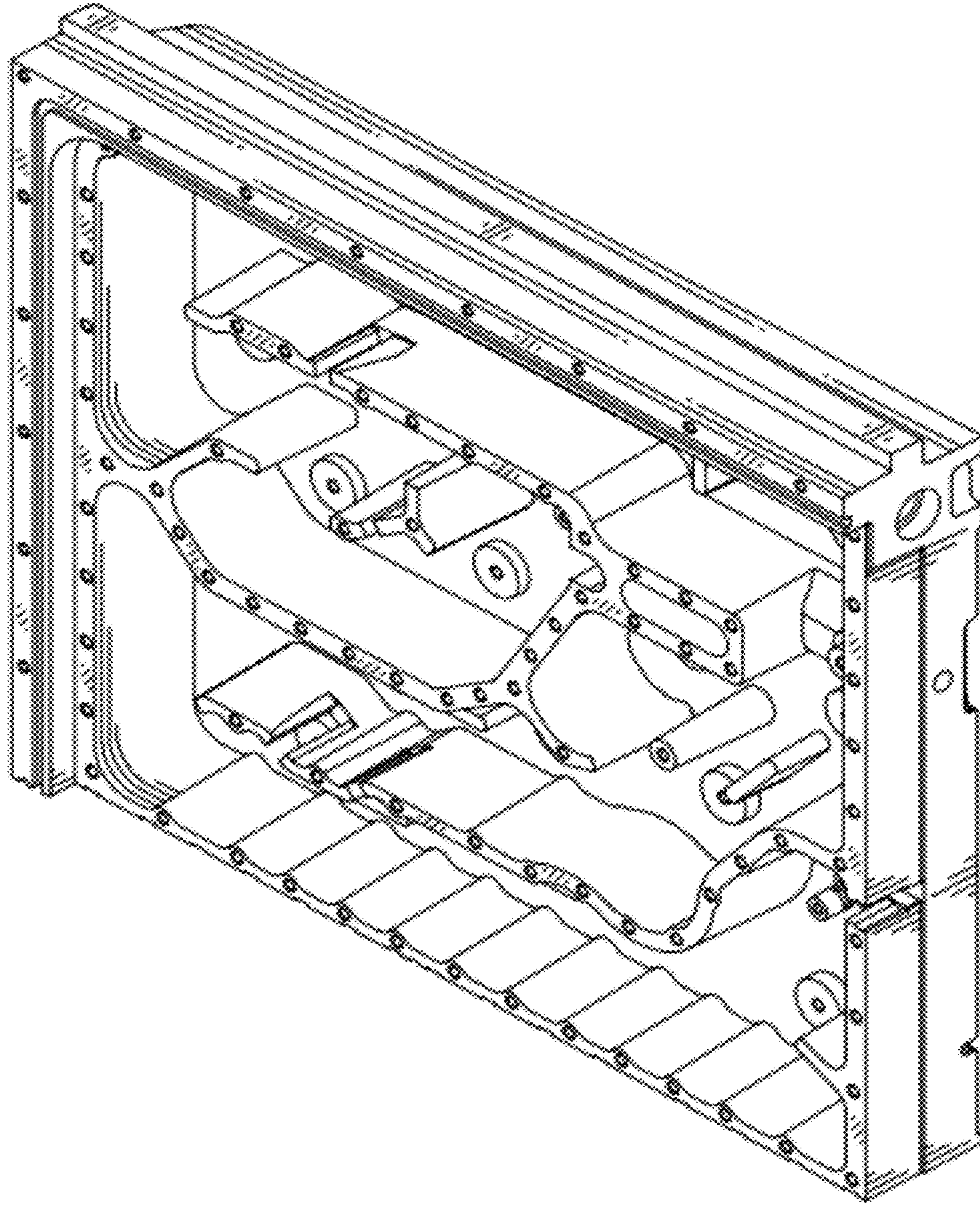


FIG. 1

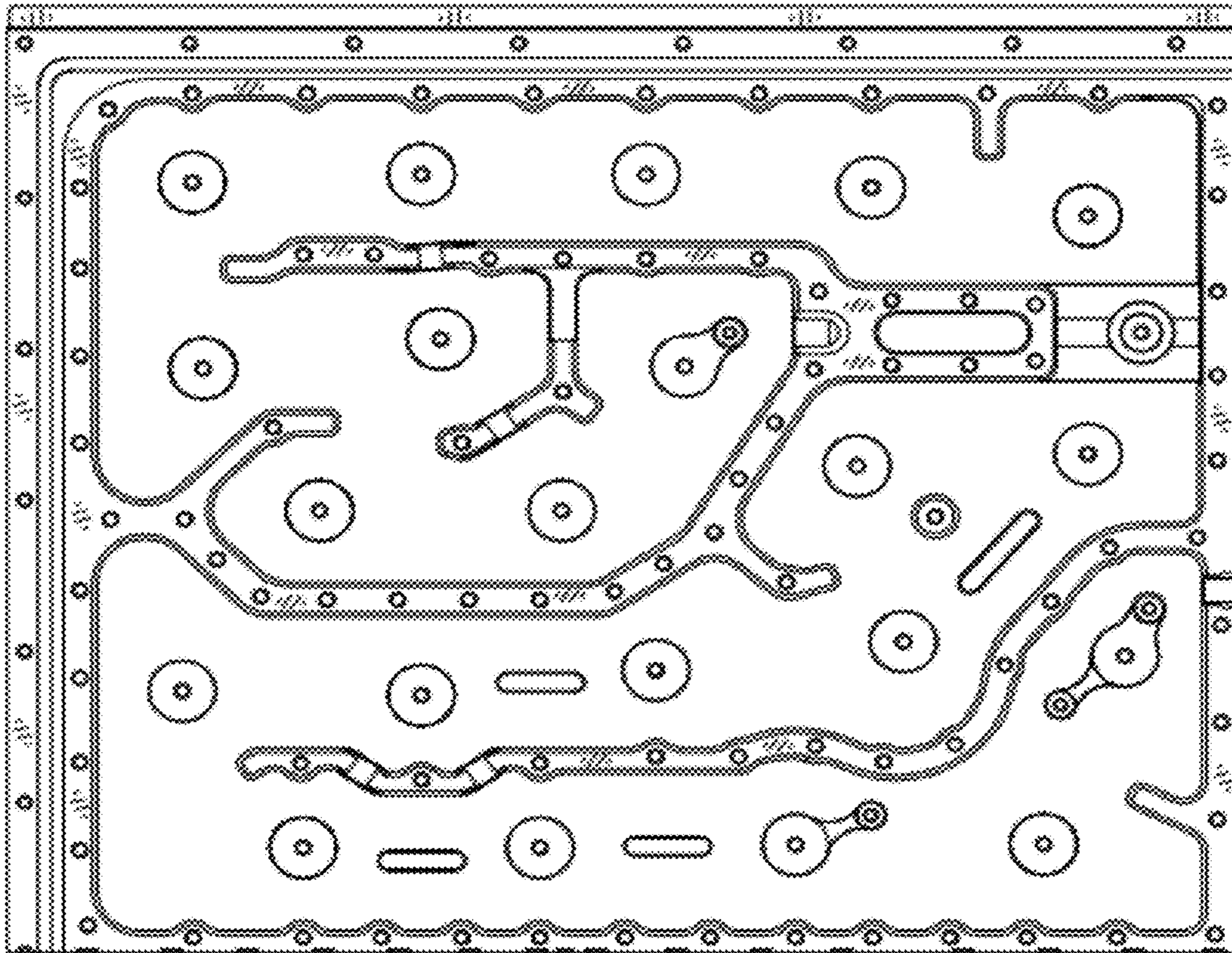


FIG. 2

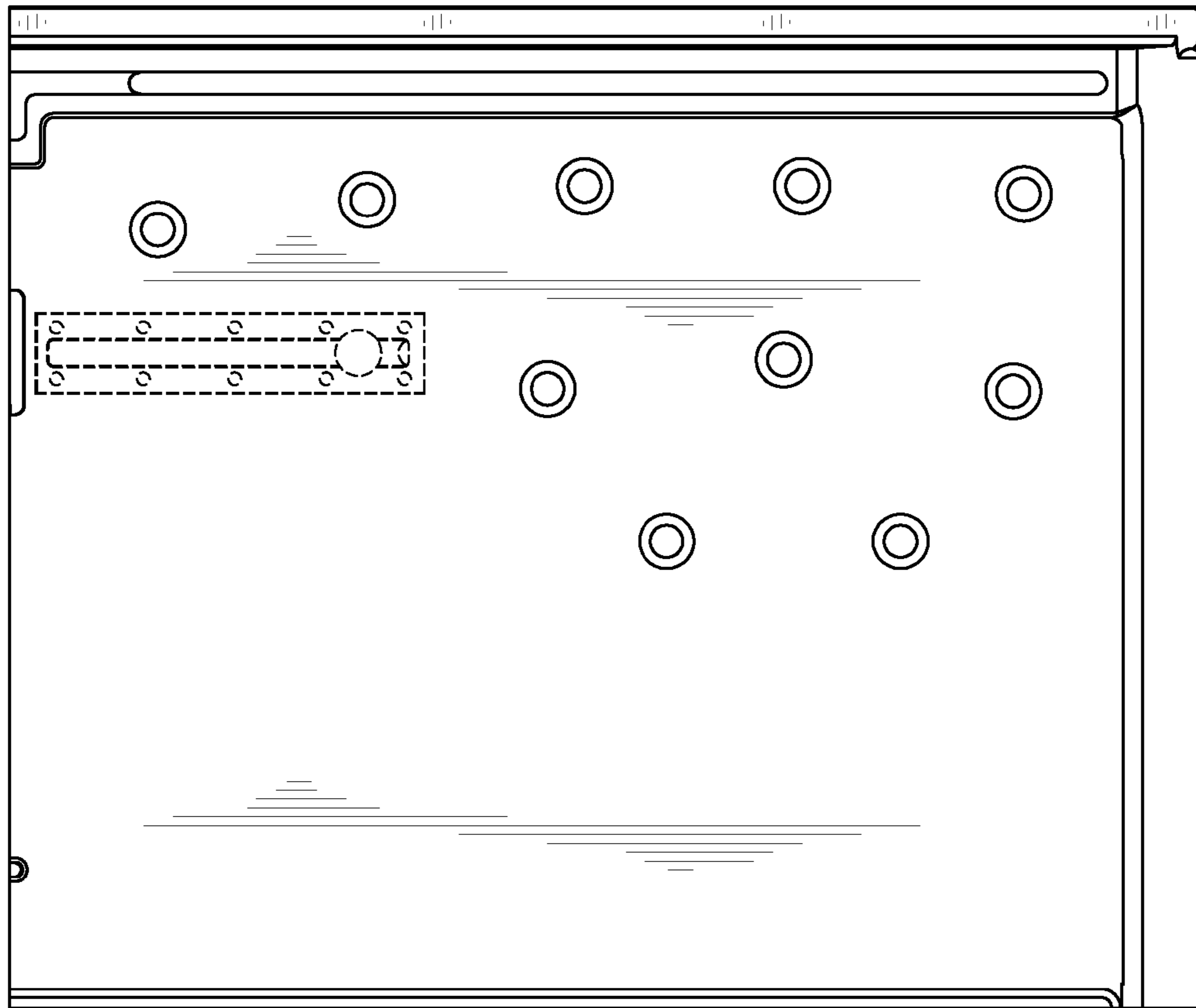


FIG. 3

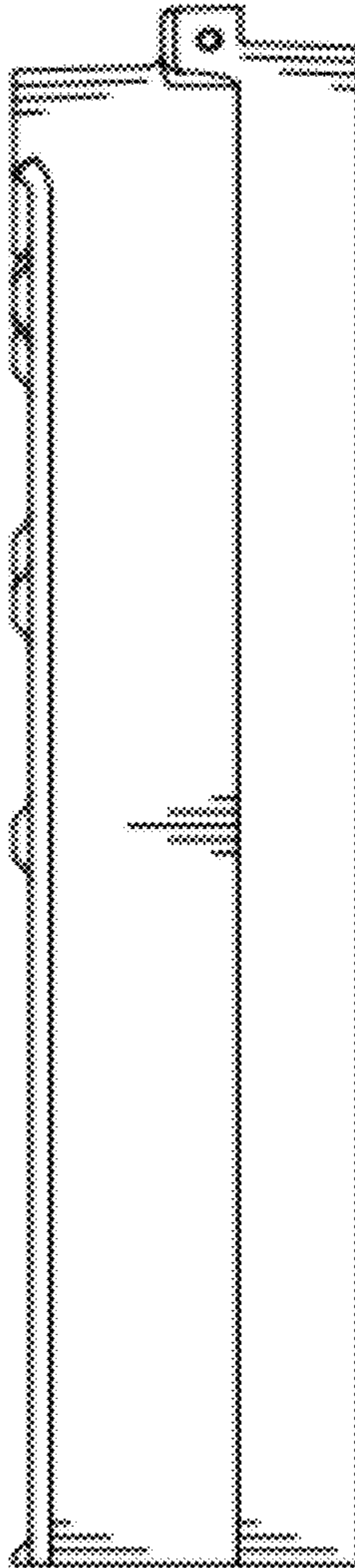


FIG. 4

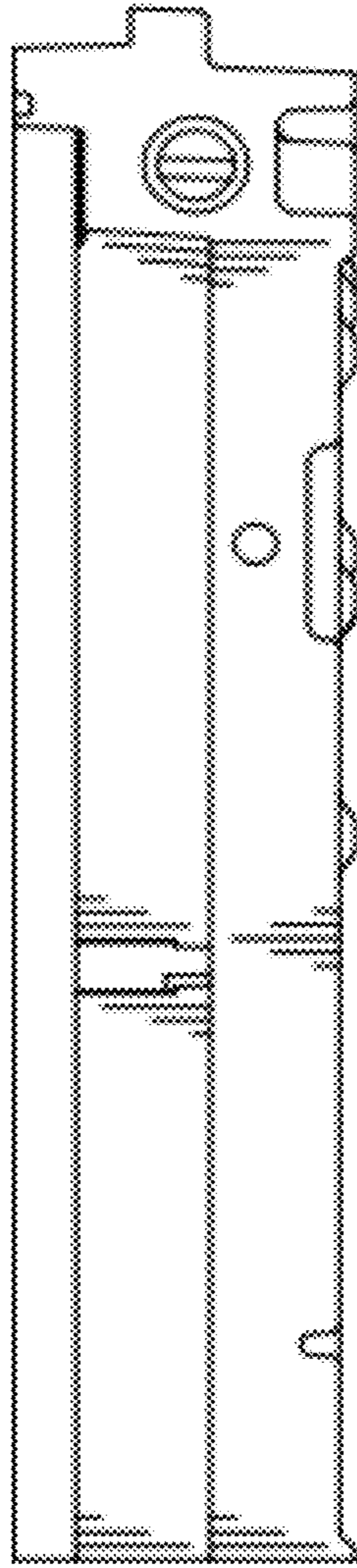


FIG. 5

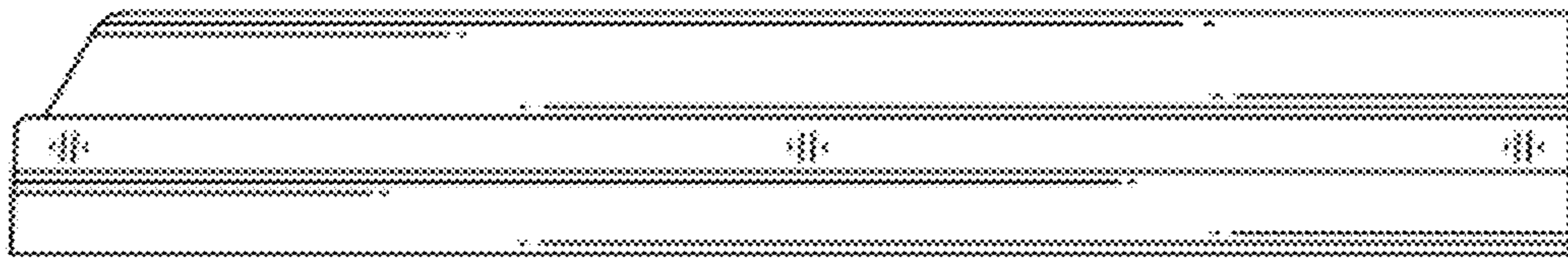


FIG. 6

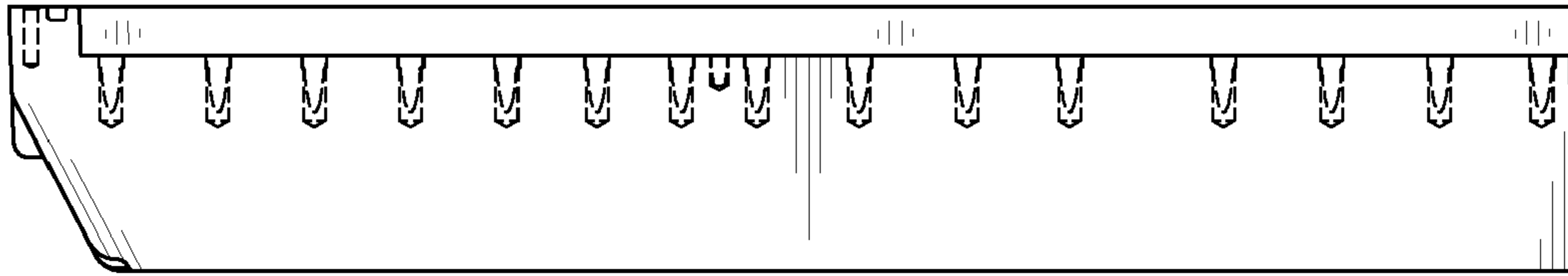


FIG. 7