



US00D666153S

(12) **United States Design Patent**
Smith

(10) **Patent No.:** **US D666,153 S**

(45) **Date of Patent:** **** Aug. 28, 2012**

(54) **FLEXIBLE METAL CONDUIT CONNECTOR WITH EXTERNAL BONDING CONNECTOR**

(75) Inventor: **Lawrence J. Smith**, Stamford, CT (US)

(73) Assignee: **Bridgeport Fittings, Inc.**, Stratford, CT (US)

(**) Term: **14 Years**

(21) Appl. No.: **29/374,253**

(22) Filed: **Jul. 18, 2011**

(51) **LOC (9) Cl.** **13-03**

(52) **U.S. Cl.** **D13/149**

(58) **Field of Classification Search** D13/133,
D13/148, 149, 151, 154, 199; 439/92, 142,
439/320, 535, 557; D8/330, 331, 382, 383,
D8/394, 395; 248/49, 74.1, 62, 63; 174/65 R,
174/65 G, 68.1, 68.3, 69, 71 R, 72 C
See application file for complete search history.

(56) **References Cited**

U.S. PATENT DOCUMENTS

D339,793 S * 9/1993 Nardi et al. D13/149
6,817,895 B2 * 11/2004 Kiely 439/552
6,916,988 B1 * 7/2005 Auray et al. 174/665

D600,651 S * 9/2009 Smith D13/149
7,645,947 B2 * 1/2010 Kiely et al. 174/666
8,129,634 B2 * 3/2012 Sheehan et al. 174/666
2008/0277160 A1 * 11/2008 Auray et al. 174/659
2009/0120687 A1 * 5/2009 Kiely et al. 174/666

* cited by examiner

Primary Examiner — Thomas Johannes

(74) *Attorney, Agent, or Firm* — Alfred A. Fressola; Ware, Fressola, Van Der Sluys & Adolphson LLP

(57) **CLAIM**

The ornamental design for a flexible metal conduit connector with external bonding connector, as shown and described.

DESCRIPTION

FIG. 1 is a rear perspective view of a flexible metal conduit connector with external bonding connector showing my new design;
FIG. 2 is a rear view thereof;
FIG. 3 is a right side view thereof;
FIG. 4 is a front view thereof;
FIG. 5 is a left side view thereof;
FIG. 6 is a top plan view thereof; and,
FIG. 7 is a bottom plan view thereof.

1 Claim, 2 Drawing Sheets

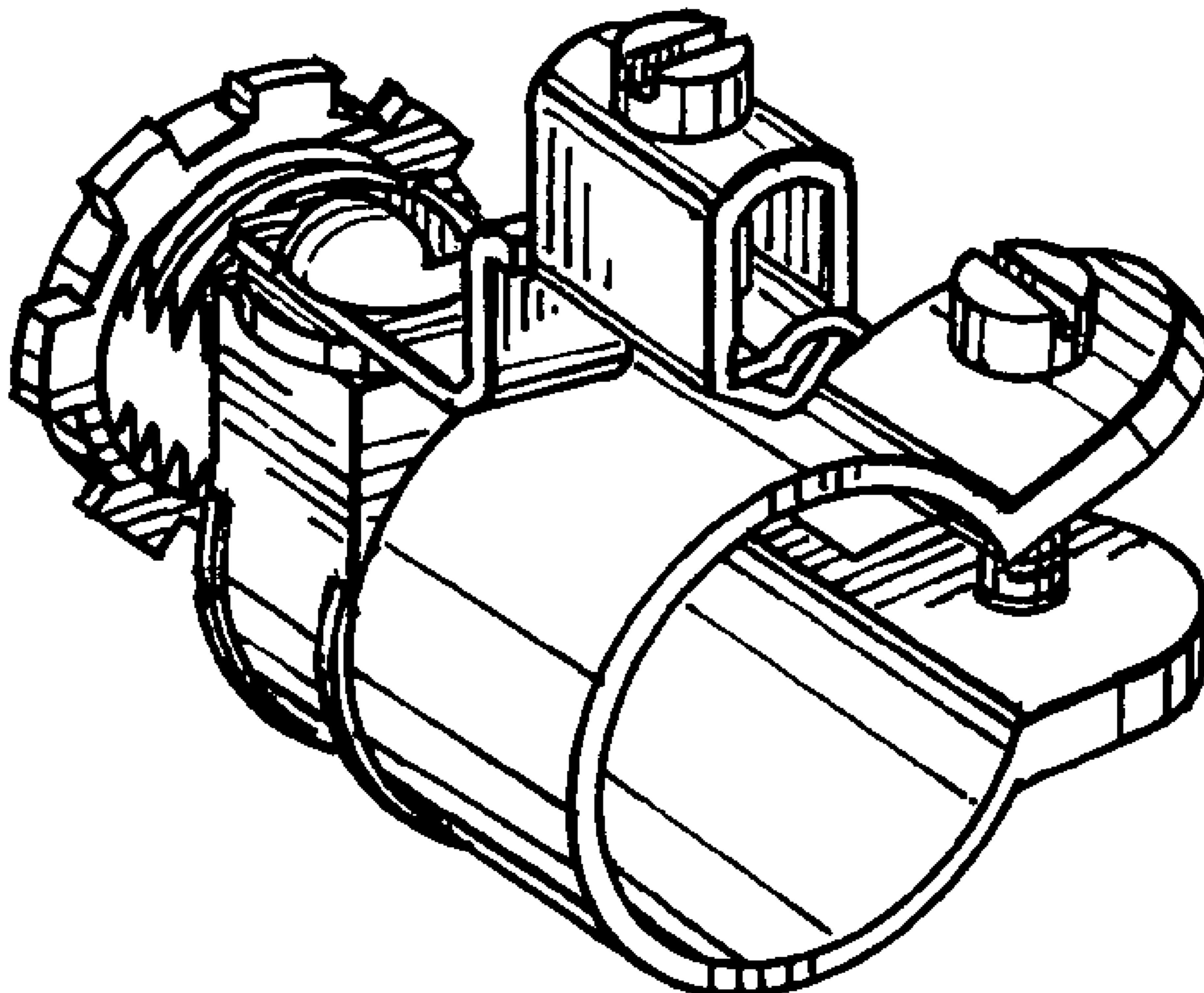


FIG. 1

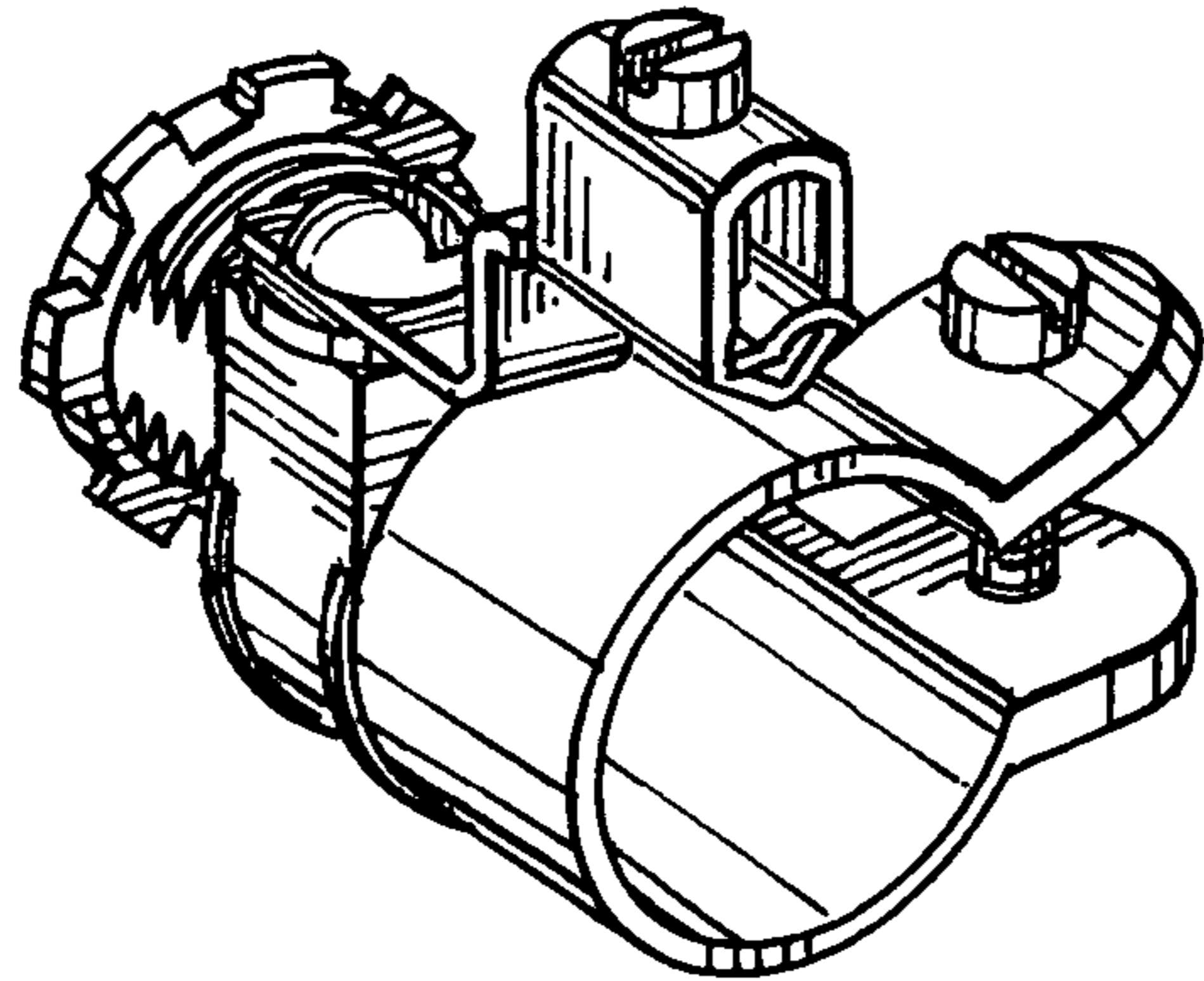


FIG. 3

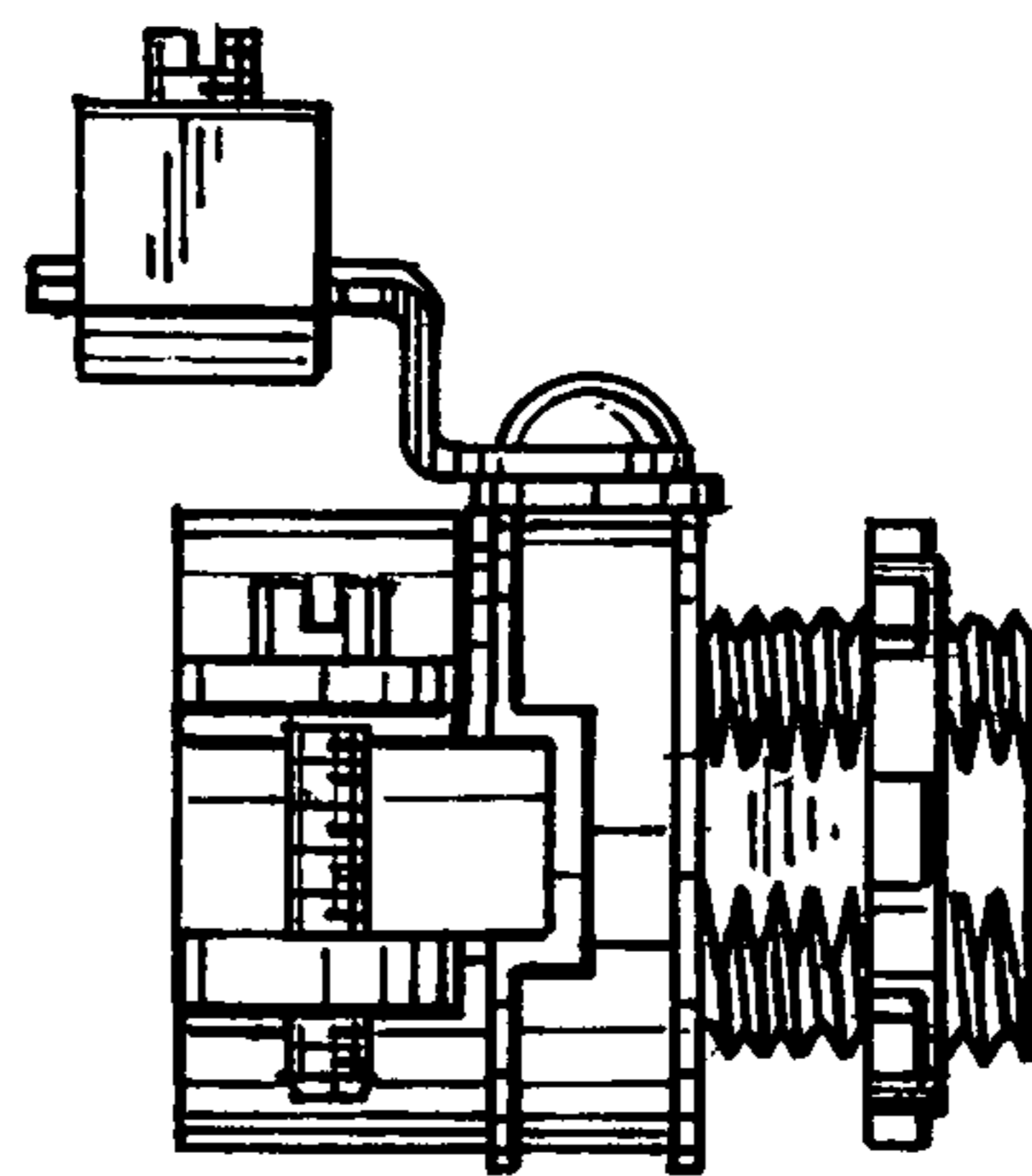


FIG. 2

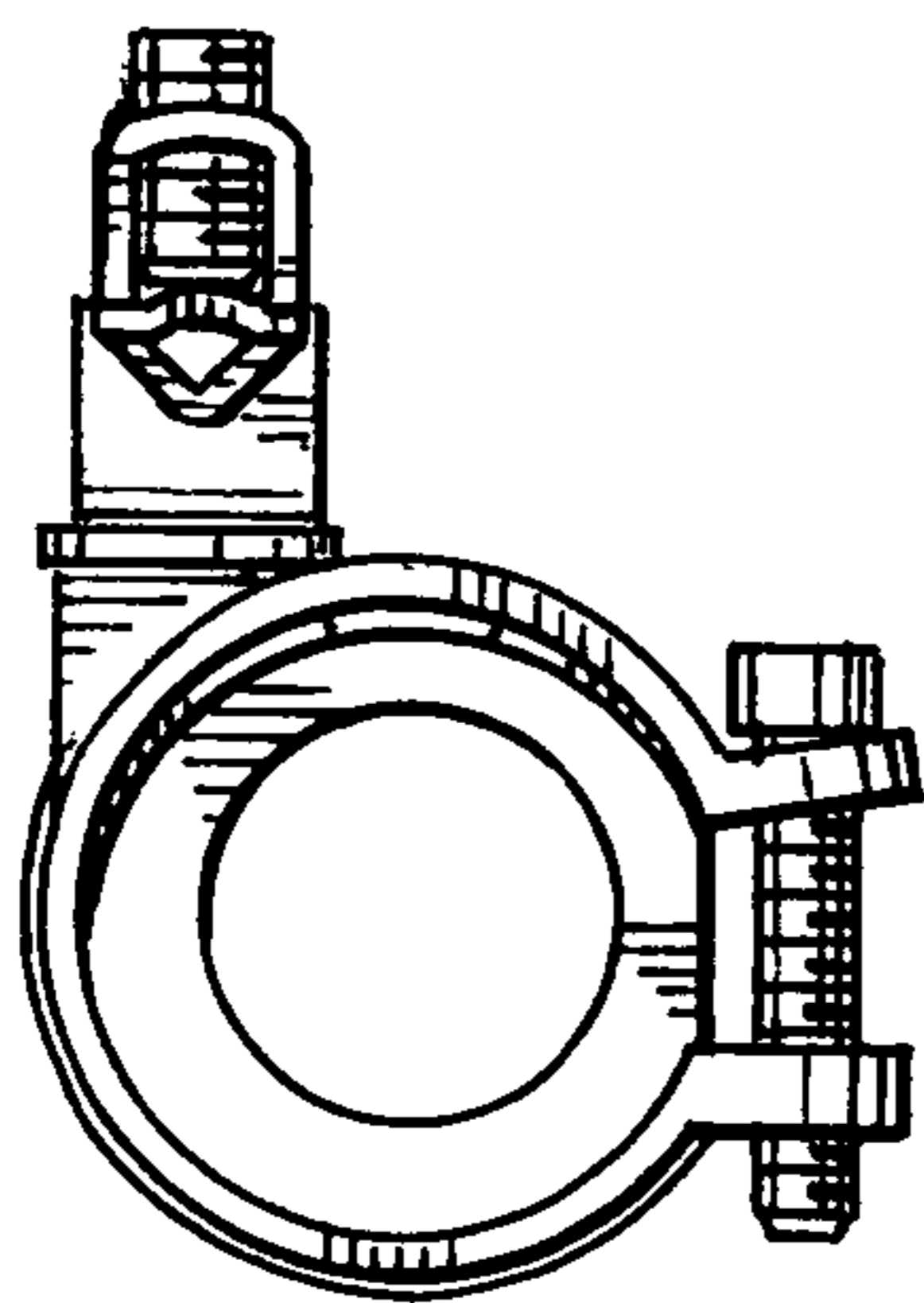


FIG. 5

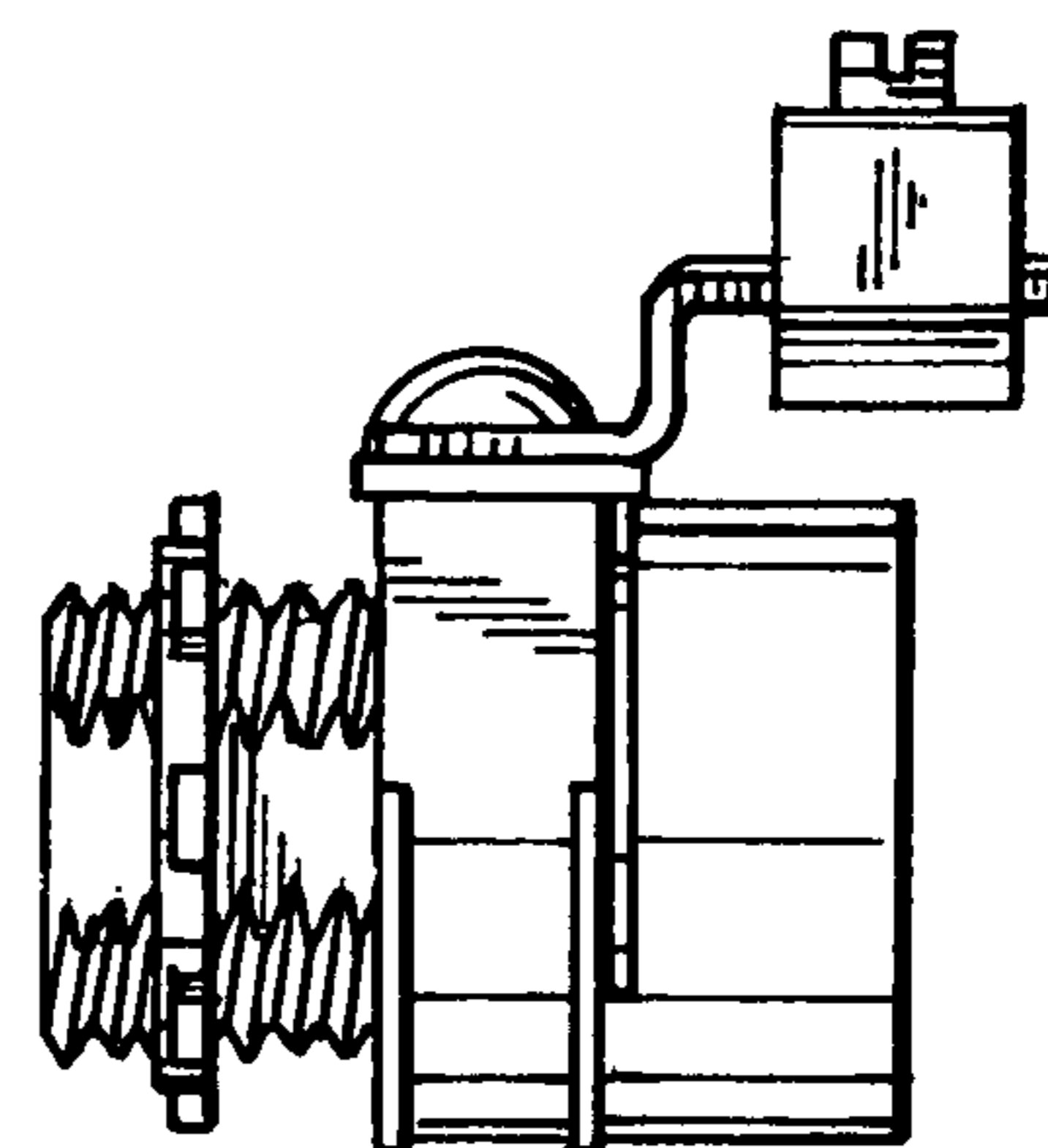


FIG. 4

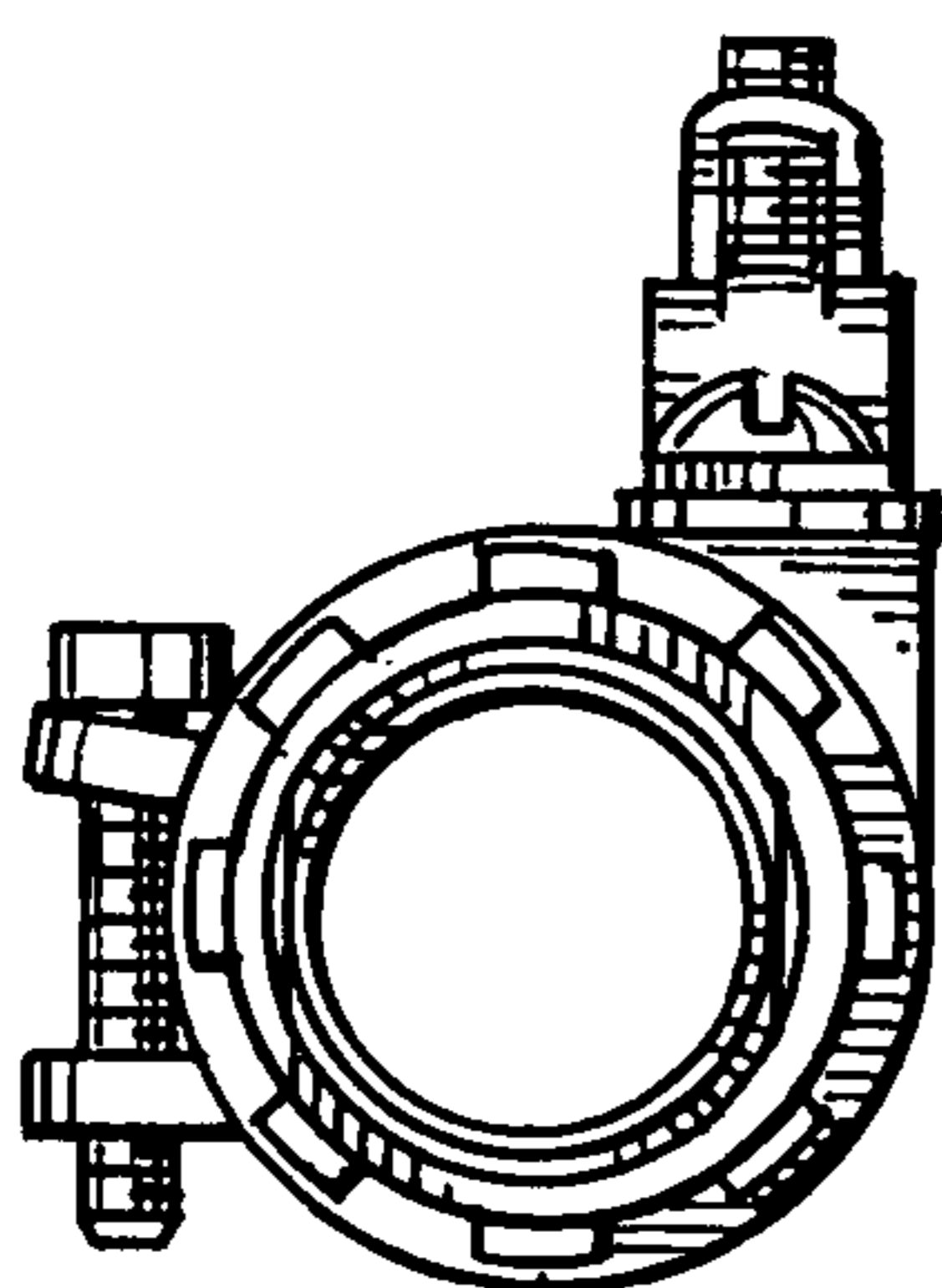


FIG. 6

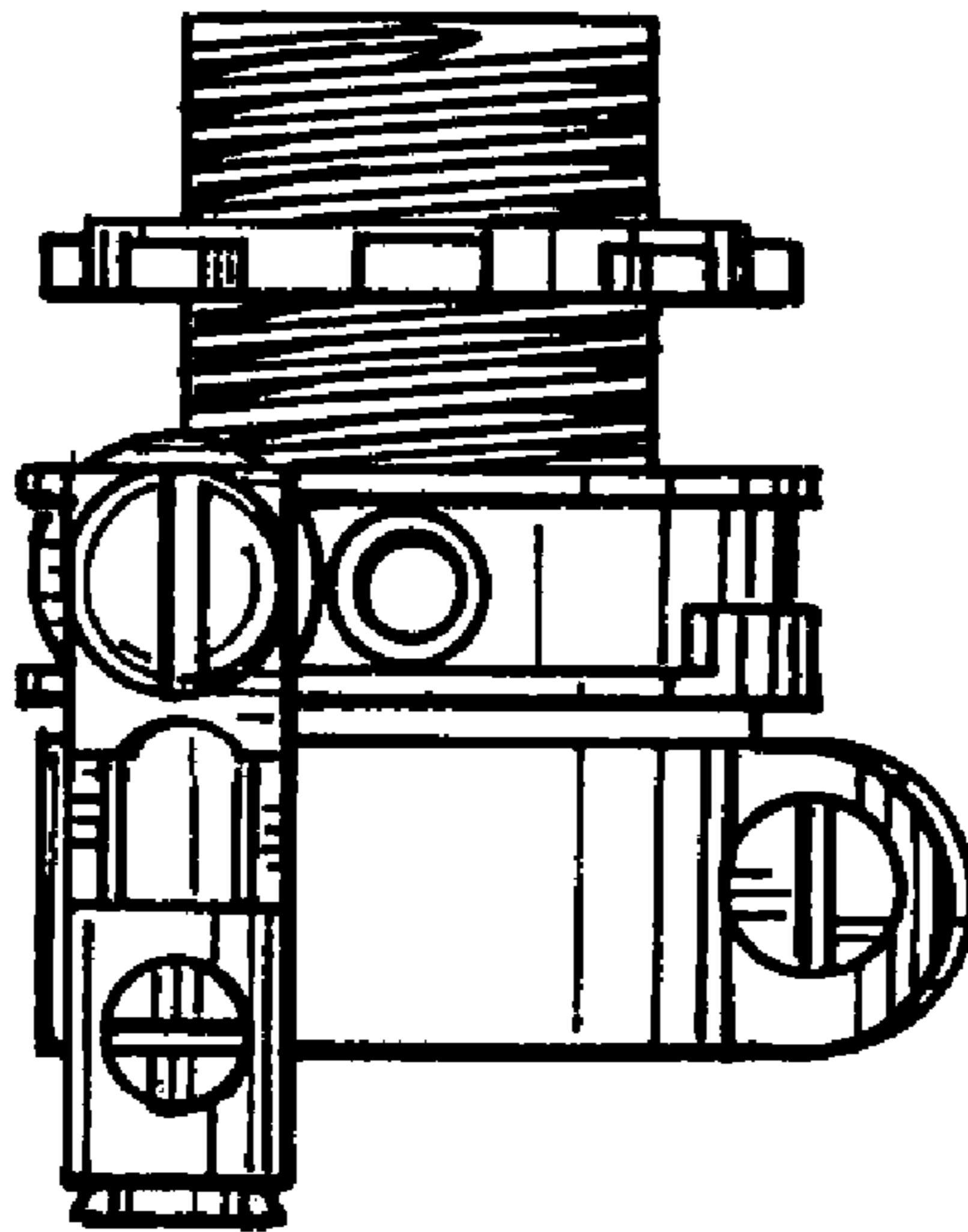


FIG. 7

