



US00D666149S

(12) **United States Design Patent**  
**Sacks**

(10) **Patent No.:** **US D666,149 S**

(45) **Date of Patent:** **\*\* Aug. 28, 2012**

(54) **CONFIGURABLE BATTERY CARRYING CASE**

*Primary Examiner* — Rosemary K Tarcza

(74) *Attorney, Agent, or Firm* — Steins & Associates, P.C.

(76) Inventor: **Philip Sacks**, Laguna Woods, CA (US)

(57) **CLAIM**

(\*\*) Term: **14 Years**

The ornamental design for a configurable battery carrying case, as shown and described.

(21) Appl. No.: **29/394,253**

**DESCRIPTION**

(22) Filed: **Jun. 15, 2011**

(51) **LOC (9) Cl.** ..... **13-02**

FIG. 1 is a front perspective view of the configurable battery carrying case;

(52) **U.S. Cl.** ..... **D13/119**

FIG. 2 is a rear perspective view of the configurable battery carrying case;

(58) **Field of Classification Search** ..... D13/102–106,  
D13/110, 118–119, 184; 429/96–100, 163,  
429/176; D3/201, 203.2, 207, 273; D9/414,  
D9/420

FIG. 3 is a top view of the configurable battery carrying case;

FIG. 4 is a bottom view of the configurable battery carrying case;

See application file for complete search history.

FIG. 5 is a right side view of the configurable battery carrying case;

FIG. 6 is a left side view of the configurable battery carrying case;

(56) **References Cited**

**U.S. PATENT DOCUMENTS**

D334,169 S *	3/1993	Antonczak	.....	D13/103
D342,053 S *	12/1993	Antonczak	.....	D13/103
D514,308 S *	2/2006	Wahl et al.	.....	D3/203.2
D534,421 S *	1/2007	Tanner	.....	D9/420
D546,671 S *	7/2007	Cronin et al.	.....	D9/420
D548,969 S *	8/2007	Bramley	.....	D3/294
D555,357 S *	11/2007	Hsieh	.....	D3/282
D562,546 S *	2/2008	Chue et al.	.....	D3/203.2
D568,240 S *	5/2008	Haydvoegel	.....	D13/103
D627,317 S *	11/2010	Gretz	.....	D13/184
D637,952 S *	5/2011	Tan	.....	D13/108
D639,731 S *	6/2011	Sun	.....	D13/103

FIG. 7 is a front view of the configurable battery carrying case;

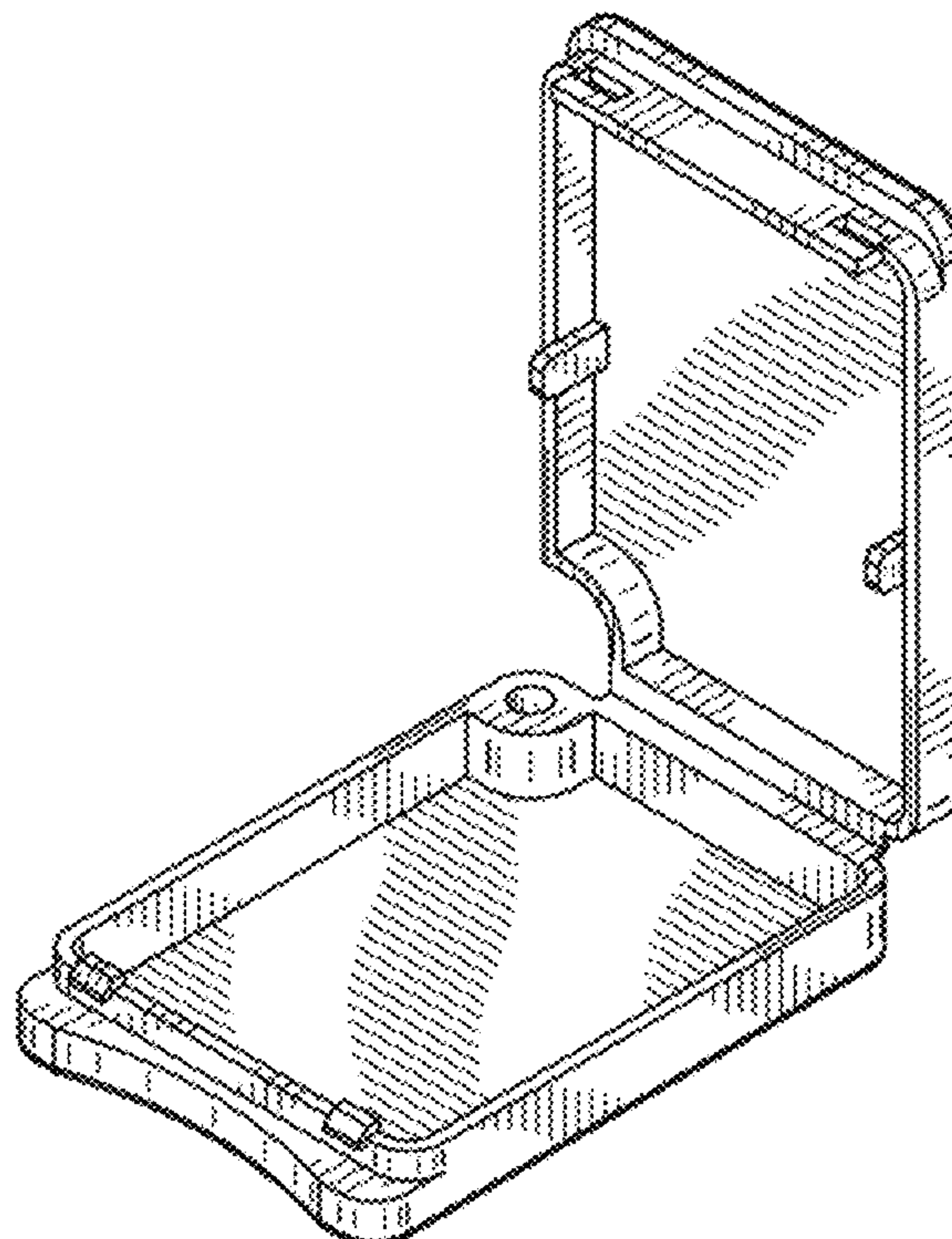
FIG. 8 is a back view of the configurable battery carrying case; and,

FIG. 9 is an exploded perspective view of the configurable battery carrying case and its optional battery holder insert elements.

The broken lines shown in the drawings are included for the purpose of illustrating environmental structure and form no part of the claimed design.

\* cited by examiner

**1 Claim, 5 Drawing Sheets**



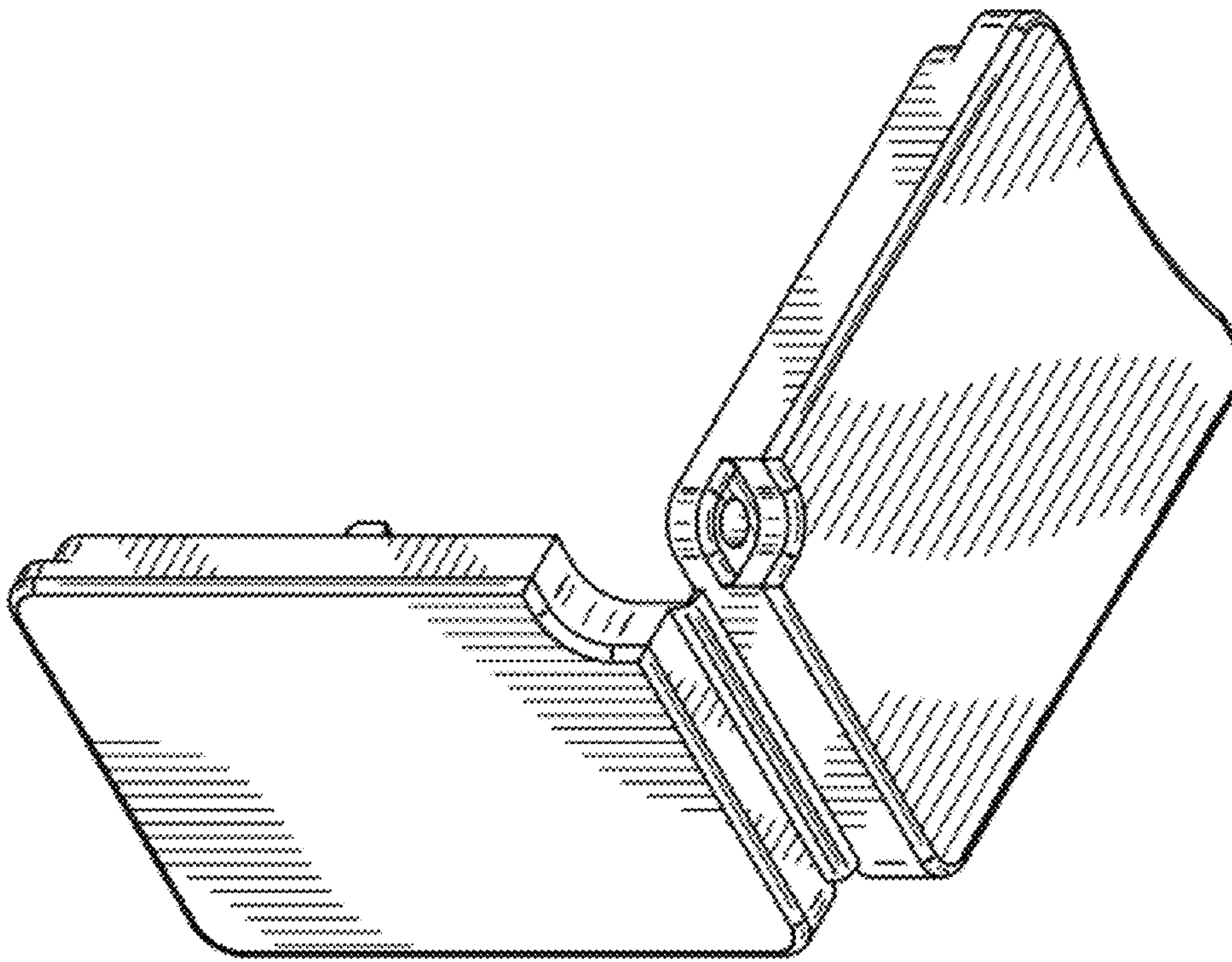


FIG. 2

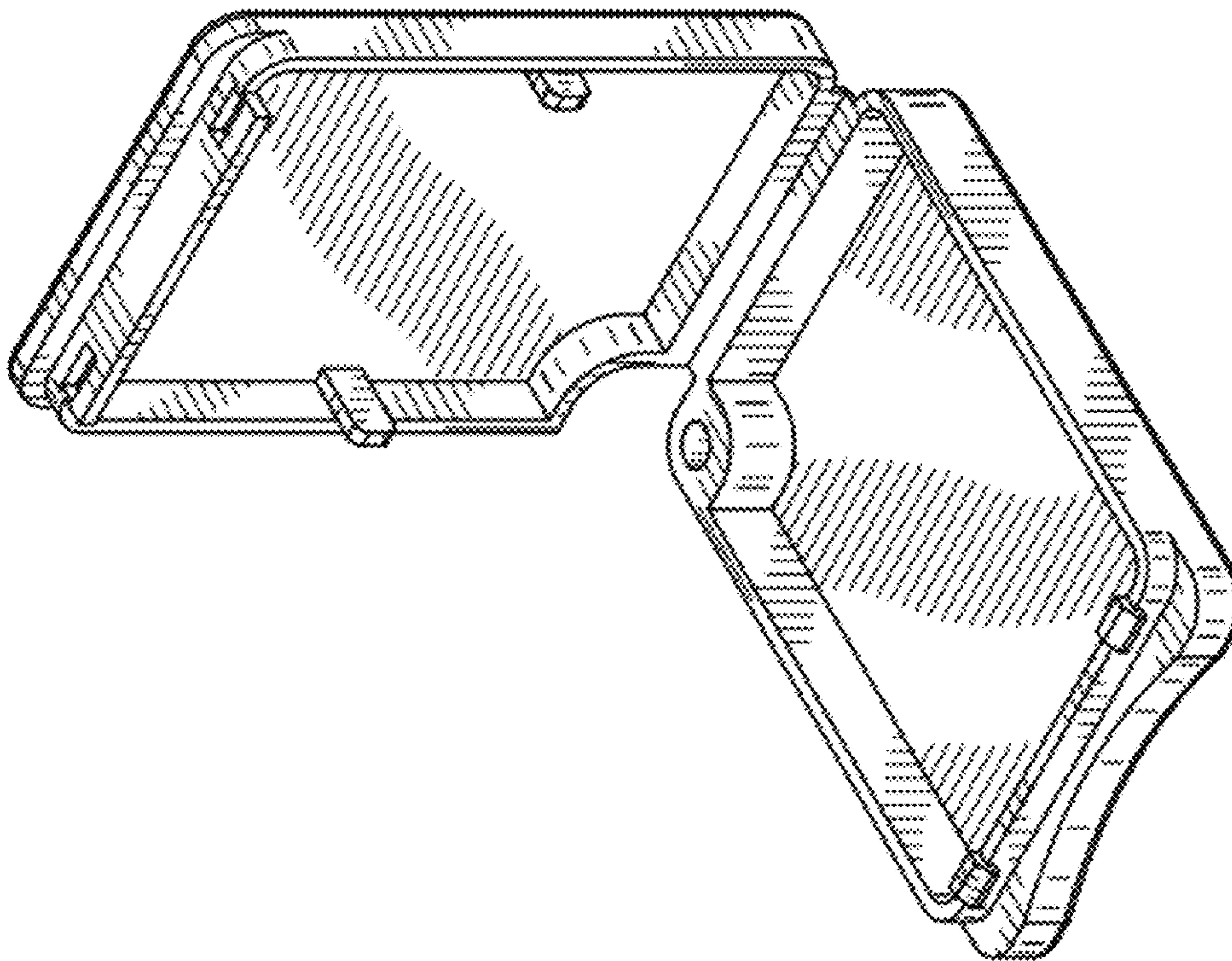


FIG. 1



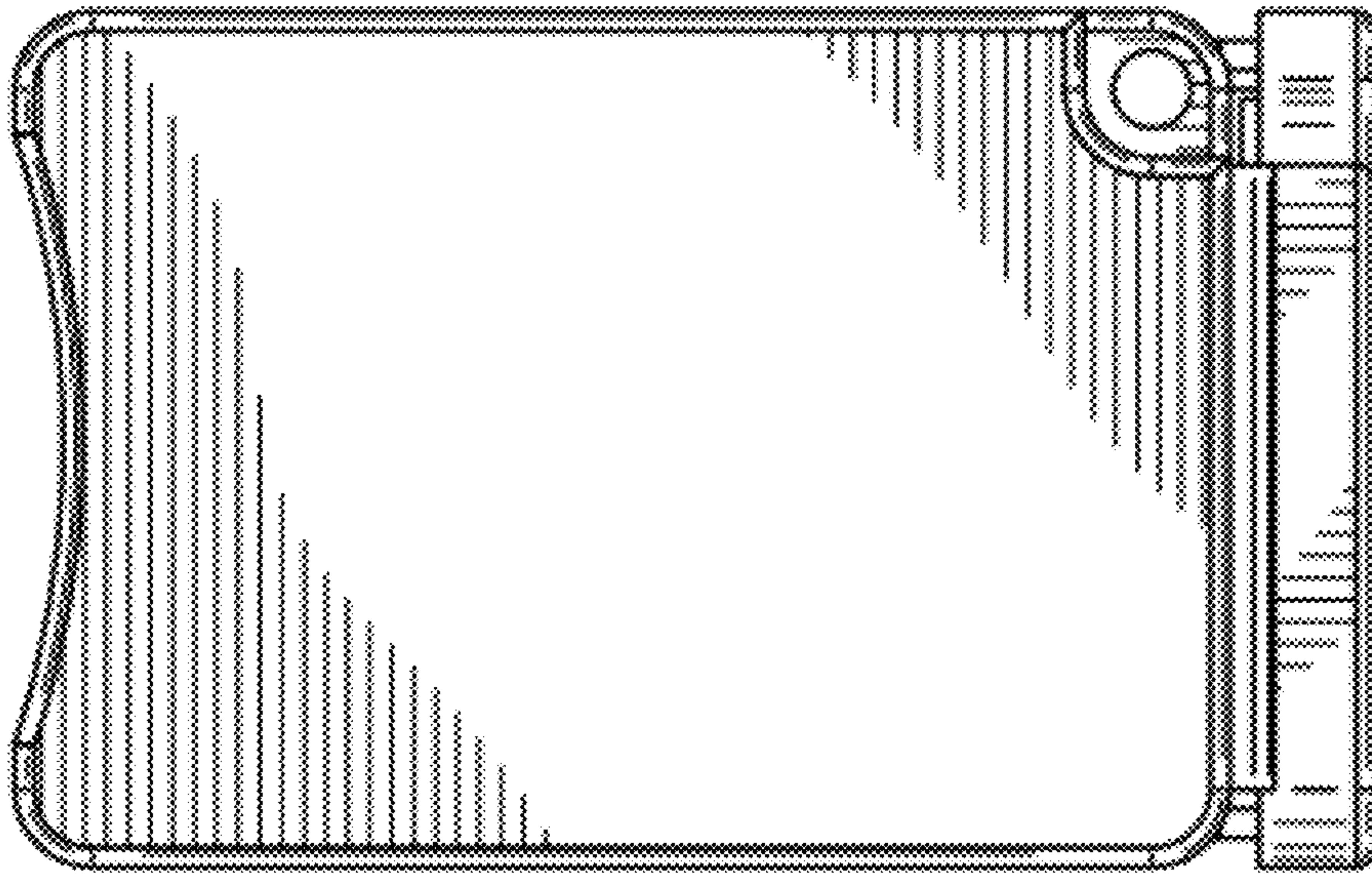


FIG. 4

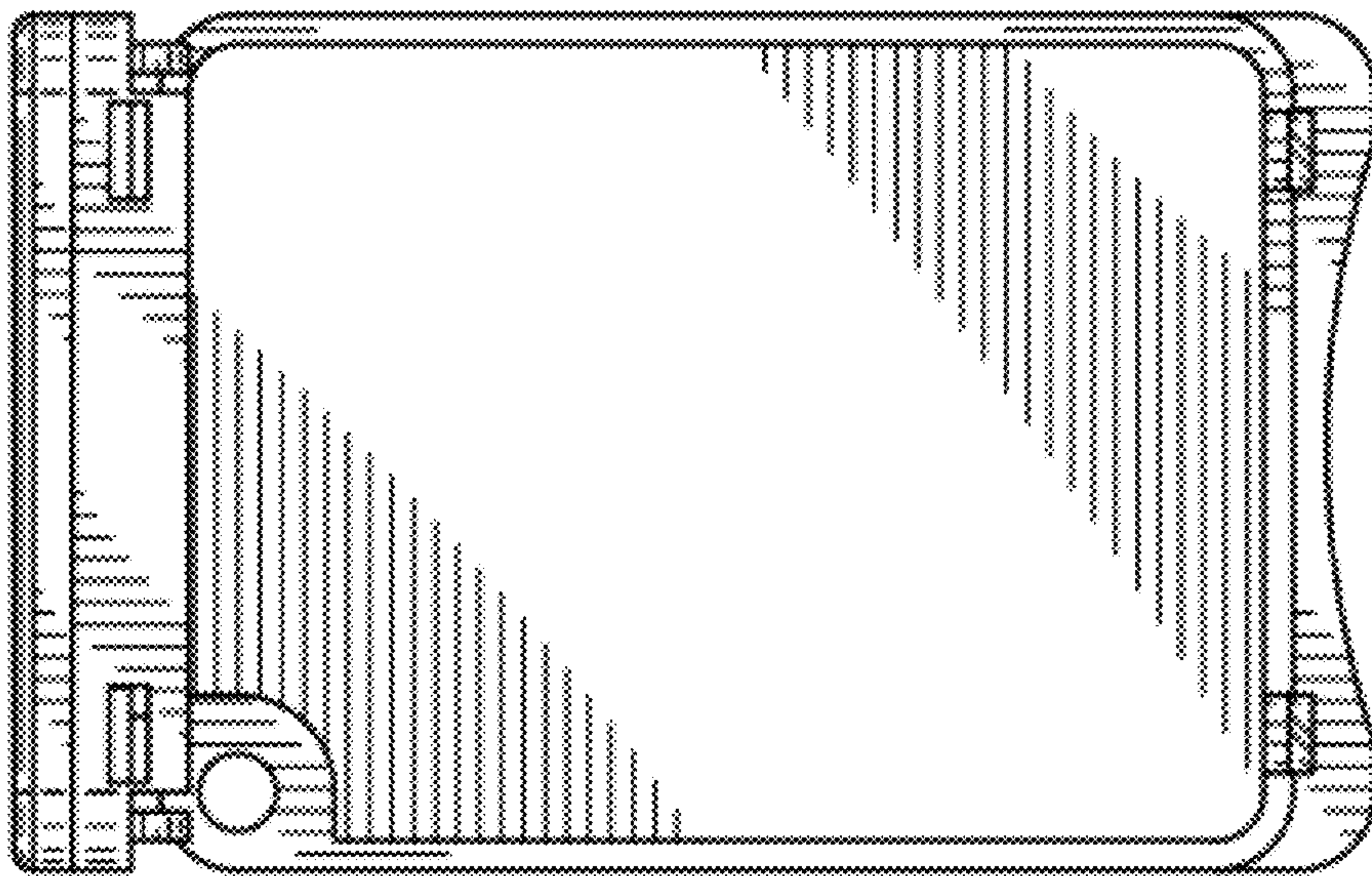


FIG. 3

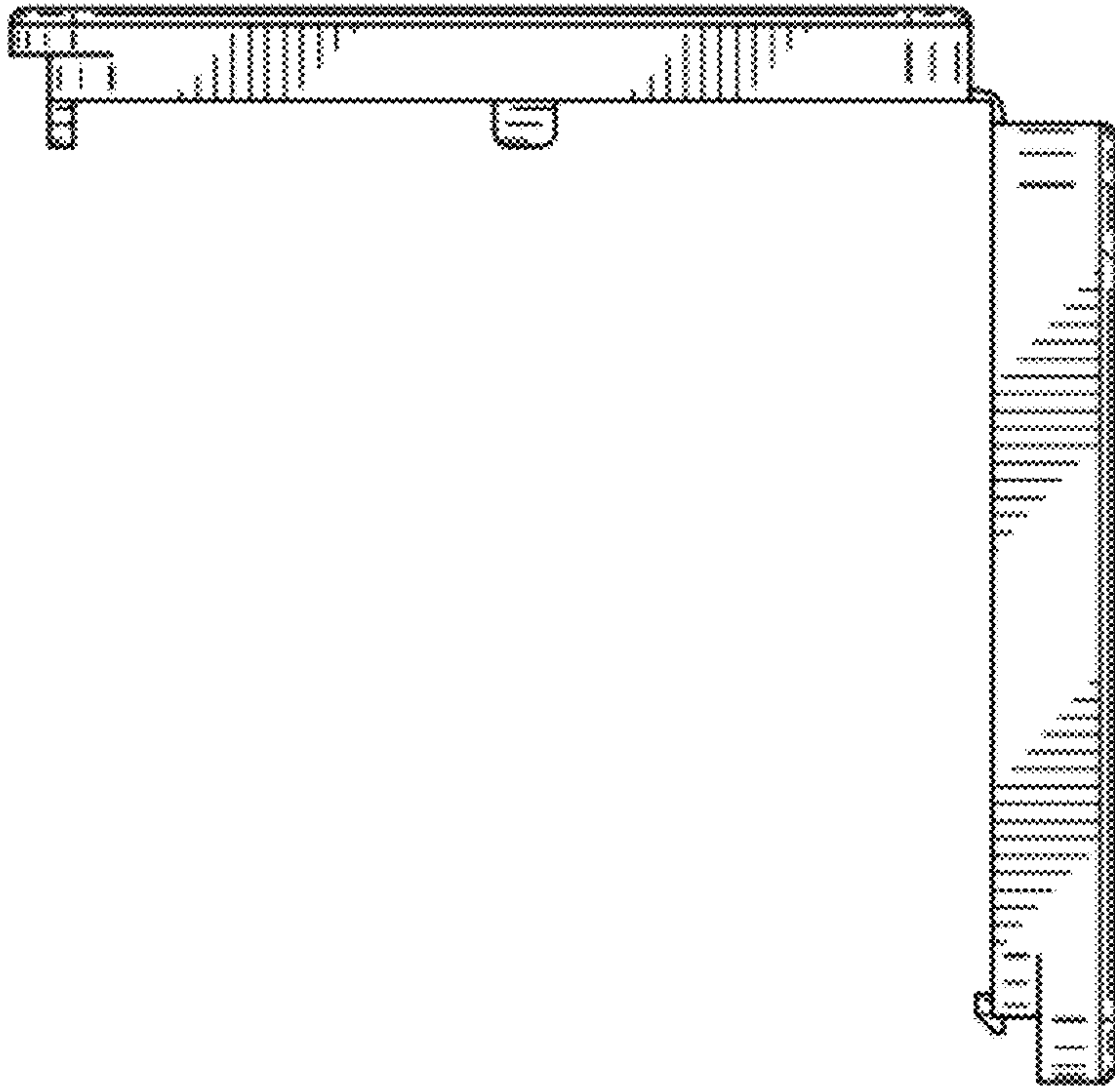


FIG. 5

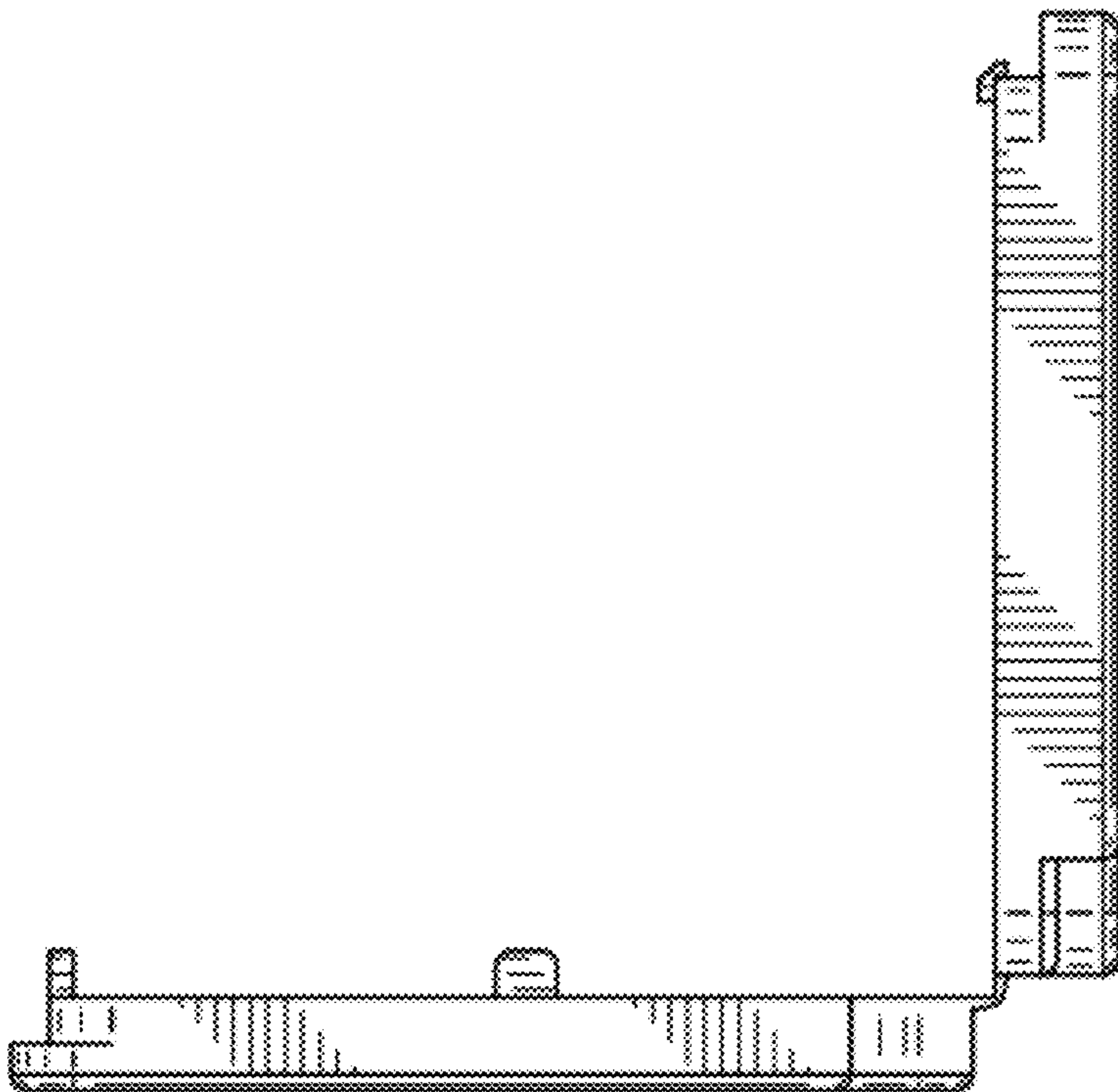


FIG. 6



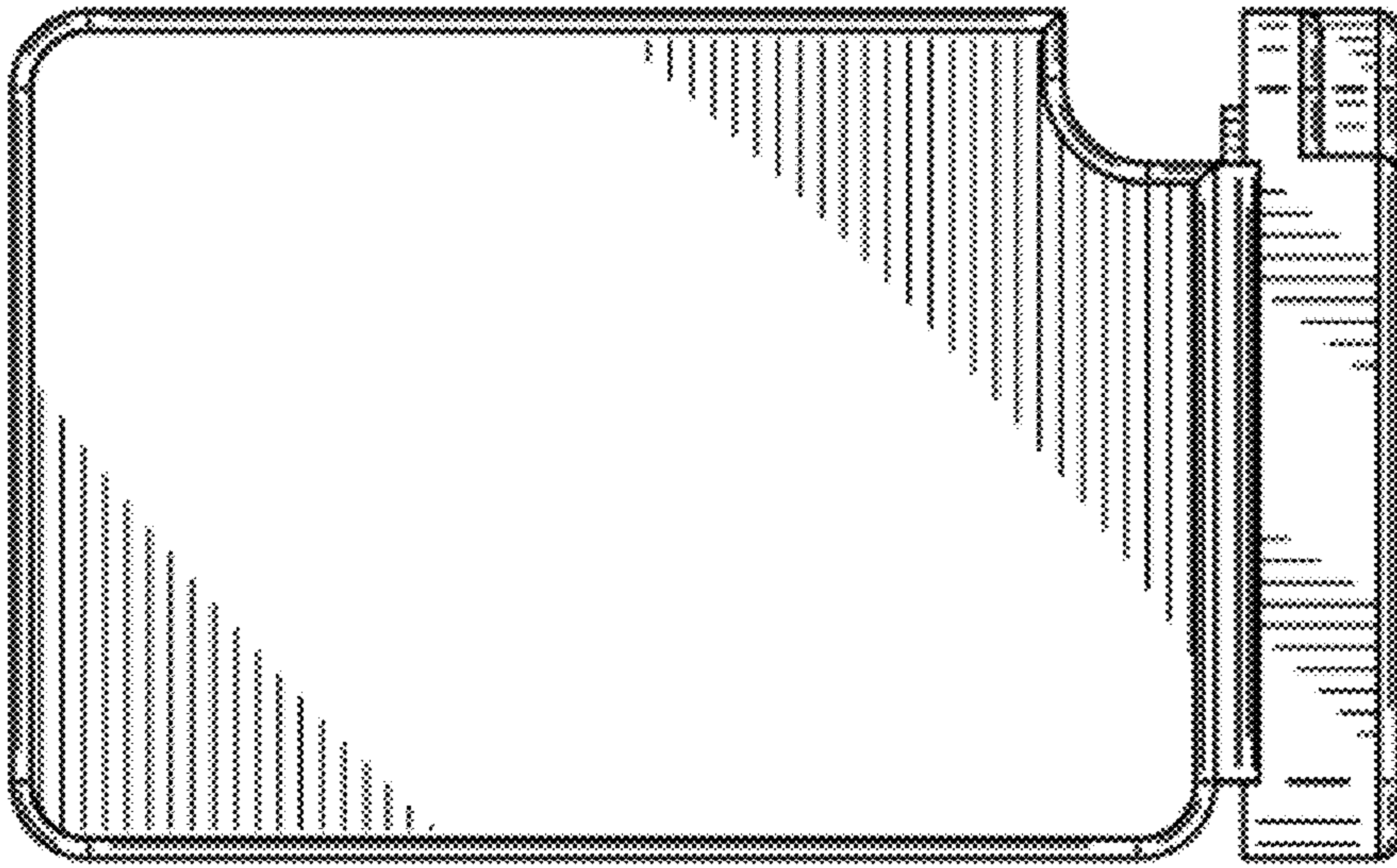


FIG. 8

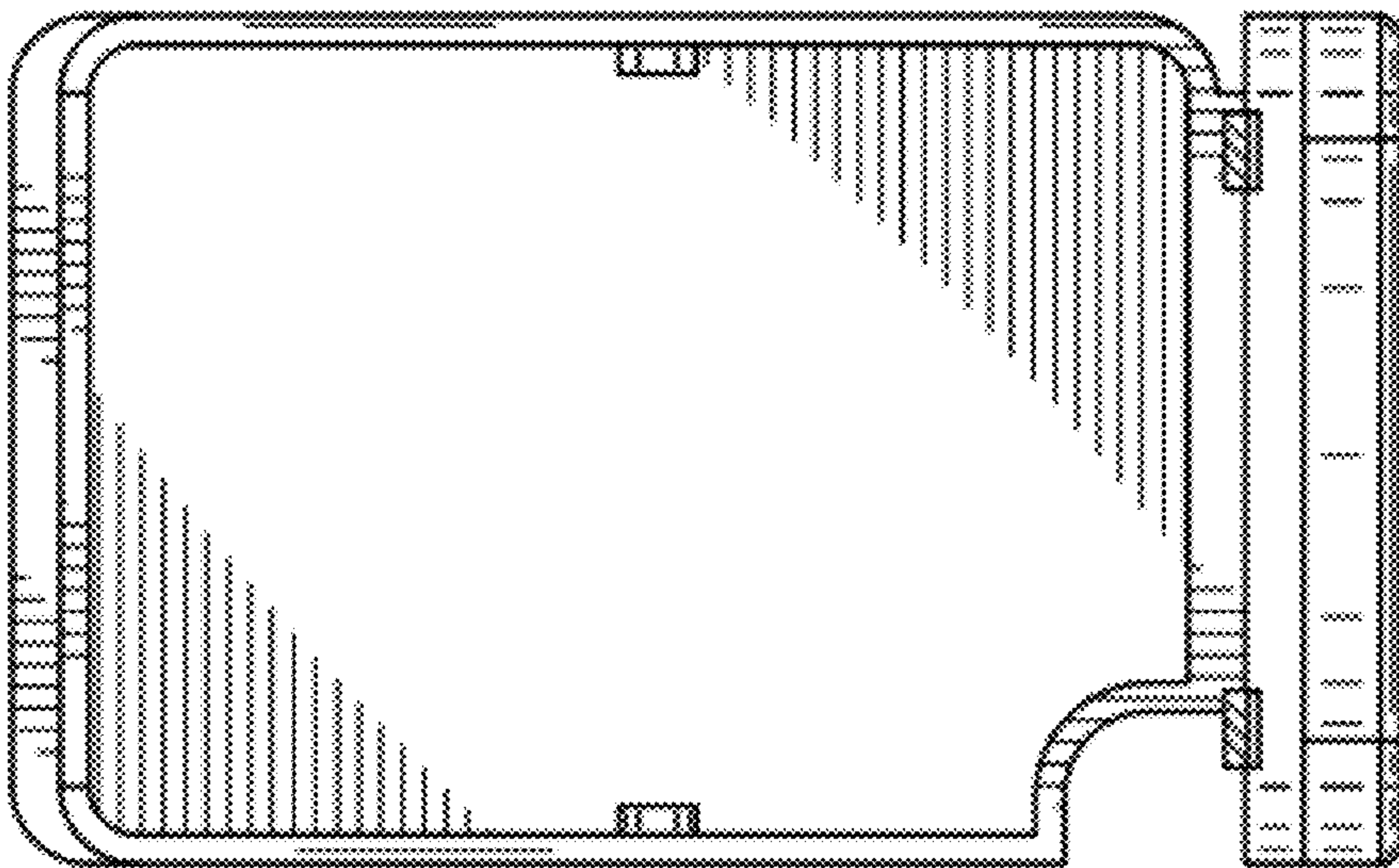


FIG. 7

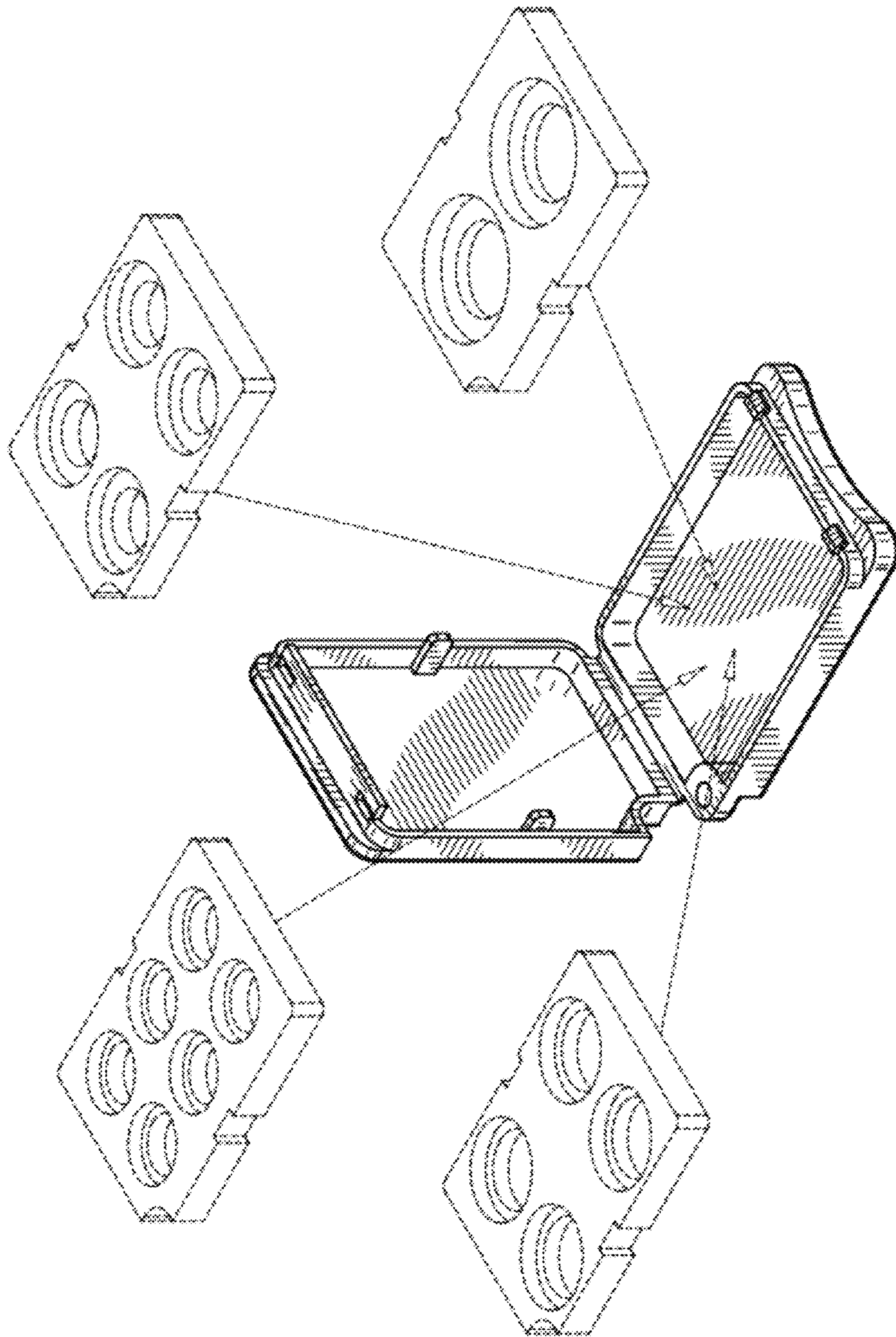


FIG. 9