



US00D666148S

(12) **United States Design Patent**
Inaba

(10) **Patent No.:** **US D666,148 S**

(45) **Date of Patent:** **** Aug. 28, 2012**

(54) **BATTERY**

(75) Inventor: **Takuya Inaba**, Tokyo (JP)

(73) Assignee: **Sony Corporation**, Tokyo (JP)

(**) Term: **14 Years**

(21) Appl. No.: **29/371,693**

(22) Filed: **Jul. 18, 2011**

D356,994 S	4/1995	Tamaki	
5,415,947 A	5/1995	Mitsui et al.	
D361,310 S	8/1995	Kawamura	
D362,839 S	10/1995	Tamaki	
D363,055 S	10/1995	Kobayashi et al.	
D369,778 S	5/1996	Tamaki	
D372,247 S *	7/1996	Beaumont	D14/140.3
D377,477 S	1/1997	Harata et al.	
D392,614 S	3/1998	Shimizu et al.	
D409,975 S *	5/1999	Zeller	D13/103

(Continued)

Related U.S. Application Data

(63) Continuation of application No. 29/347,470, filed on Jan. 29, 2010, now Pat. No. Des. 642,980.

Foreign Application Priority Data

Dec. 24, 2009	(JP)	D2009-029882
Dec. 24, 2009	(JP)	D2009-029883
Dec. 24, 2009	(JP)	D2009-029884
Dec. 24, 2009	(JP)	D2009-029885
Dec. 24, 2009	(JP)	D2009-029886
Dec. 24, 2009	(JP)	D2009-029887
Jan. 4, 2010	(CN)	2010 3 0001413

(51) **LOC (9) Cl.** **13-02**

(52) **U.S. Cl.** **D13/119**

(58) **Field of Classification Search** D13/102-106,
D13/110, 118-119, 184; 429/96-100, 163,
429/176

See application file for complete search history.

(56) **References Cited**

U.S. PATENT DOCUMENTS

4,225,655 A *	9/1980	Pesce	429/100
D284,463 S	7/1986	Perkins et al.	
D300,022 S *	2/1989	Shaper	D13/103
D339,100 S *	9/1993	Ansell et al.	D13/103
D340,907 S	11/1993	Smith et al.	
5,317,462 A	5/1994	Kakizaki et al.	
D350,110 S *	8/1994	Johnson	D13/103

FOREIGN PATENT DOCUMENTS

JP D1141463 S 3/2001

(Continued)

OTHER PUBLICATIONS

Webpage, "Battery," http://www.kohls.com/upgrade/webstore/zoom_popup.jsp?productId=845524892463327 (cited in Office Action mailed by Japan Patent Office ("JPO") assigned as JPO Design Division Prior Art Document No. HJ20072657 received by the JPO on Mar. 23, 2009) (Mar. 2009).

Primary Examiner — Rosemary K Tarcza
(74) *Attorney, Agent, or Firm* — Rader, Fishman & Grauer PLLC

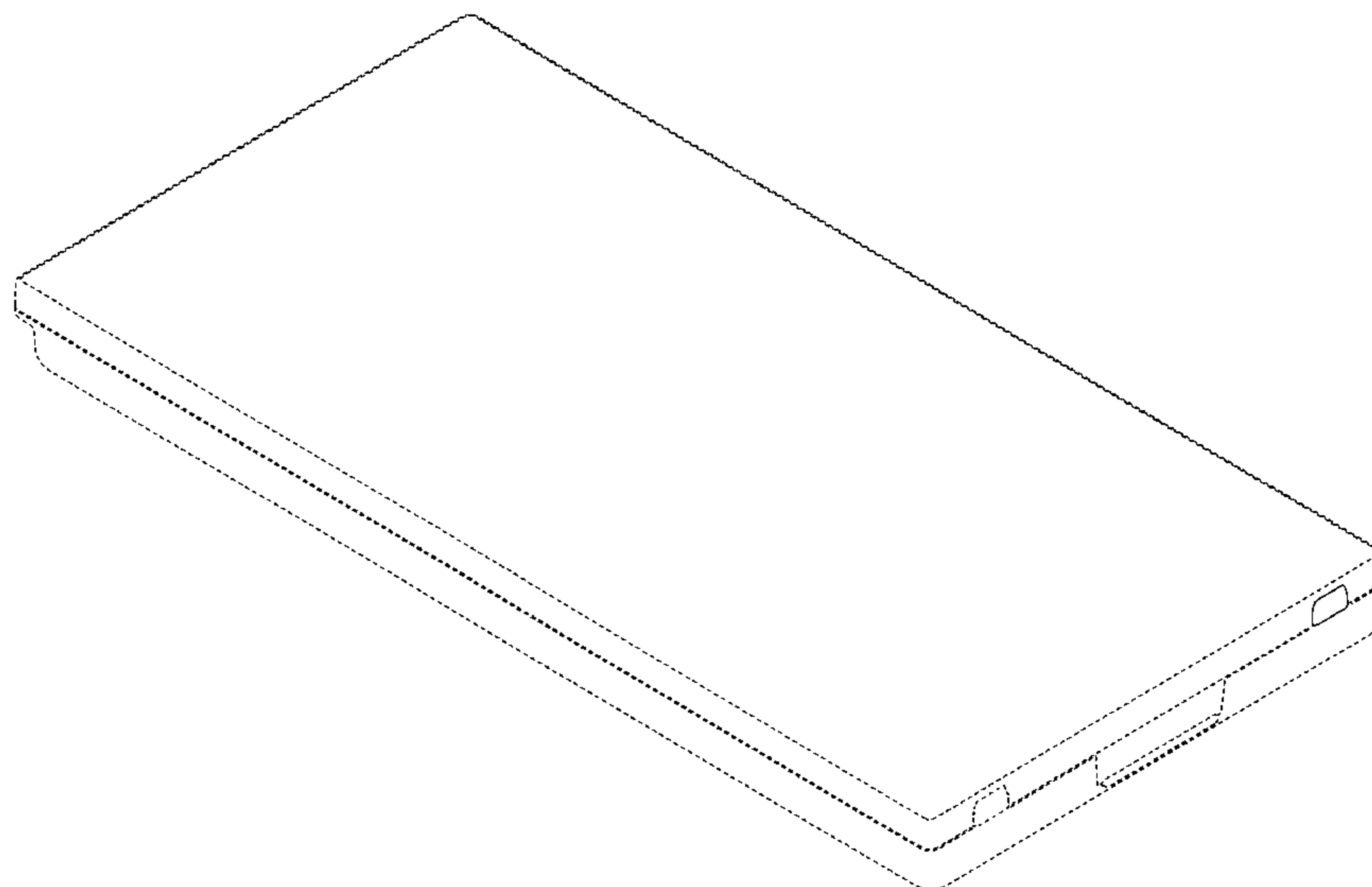
(57) **CLAIM**

The ornamental design for a battery, as shown and described.

DESCRIPTION

FIG. 1 is a rear, top, right perspective view of a battery showing my new design;
FIG. 2 is a rear elevational view thereof;
FIG. 3 is a right side elevational view thereof;
FIG. 4 is a top plan view thereof; and,
FIG. 5 is a bottom plan view thereof.
Portions in broken lines are for illustrative purpose only and form no part of the claimed design.

1 Claim, 5 Drawing Sheets



US D666,148 S

U.S. PATENT DOCUMENTS

D423,449 S	4/2000	Naskali	
D424,013 S *	5/2000	Curtis	D13/103
D432,982 S	10/2000	Miyashita	
D444,448 S *	7/2001	Robinson et al.	D13/103
D446,183 S	8/2001	Miyashita	
D446,766 S *	8/2001	Han et al.	D13/103
D458,217 S *	6/2002	Hawk	D13/103
D461,163 S	8/2002	Hirano et al.	
D469,059 S	1/2003	Ando et al.	
D477,815 S *	7/2003	Gillingham et al.	D13/184
D485,530 S *	1/2004	Ogasawara	D13/103
D496,332 S *	9/2004	Naito	D13/103
D496,333 S *	9/2004	Nan	D13/103
D497,350 S *	10/2004	Ichitsubo et al.	D13/184
6,824,916 B2 *	11/2004	Vine	429/96
D503,149 S	3/2005	Teramae et al.	
D503,922 S	4/2005	Shimizu	
D504,109 S	4/2005	Hagman et al.	
D509,182 S	9/2005	Takeshita et al.	
D515,027 S *	2/2006	Groh et al.	D13/103
D515,499 S	2/2006	Matsuda et al.	
D516,503 S	3/2006	Takeshita et al.	
D529,437 S	10/2006	Miyashita	
D530,663 S *	10/2006	Curello et al.	D13/103
D531,117 S *	10/2006	Schrack et al.	D13/103
D538,222 S *	3/2007	Curello et al.	D13/103
D548,684 S *	8/2007	Eto et al.	D13/103
D554,579 S *	11/2007	Ogasawara	D13/103
D555,587 S *	11/2007	Yamamoto et al.	D13/103
D562,226 S *	2/2008	Uehlein-Proctor et al.	D13/103
D568,841 S *	5/2008	Fischer et al.	D13/184
D578,472 S *	10/2008	Morishita et al.	D13/103
D580,353 S *	11/2008	Harrison et al.	D13/103

D581,867 S *	12/2008	Crawford et al.	D13/103
D590,334 S	4/2009	Tatehata et al.	
D590,335 S	4/2009	Tatehata et al.	
D590,336 S	4/2009	Tatehata et al.	
D590,337 S	4/2009	Tatehata et al.	
D590,769 S	4/2009	Tatehata et al.	
D592,130 S	5/2009	Tatehata et al.	
D601,494 S	10/2009	Otani et al.	
D604,696 S	11/2009	Tasai	
D610,083 S	2/2010	Chen et al.	
D610,538 S *	2/2010	Wu et al.	D13/103
D614,126 S	4/2010	Chen	
2006/0281002 A1	12/2006	Aoki et al.	
2008/0166628 A1	7/2008	Kim et al.	
2006/0305367	12/2008	Baek et al.	

FOREIGN PATENT DOCUMENTS

JP	D1141456 S	5/2002
JP	D1141663 S	5/2002
JP	D1141664 S	5/2002
JP	D1141665 S	5/2002
JP	D1161022 S	12/2002
JP	D1161024 S	12/2002
JP	D1161237 S	12/2002
JP	D1161239 S	12/2002
JP	D1161241 S	12/2002
JP	D1199833 S	2/2004
JP	D1245492 S	7/2005
JP	D1247044 S	8/2005
JP	D1247046 S	8/2005
JP	D1247048 S	8/2005
JP	D1247518 S	8/2005
JP	D1355276 S	4/2009

* cited by examiner

FIG.1

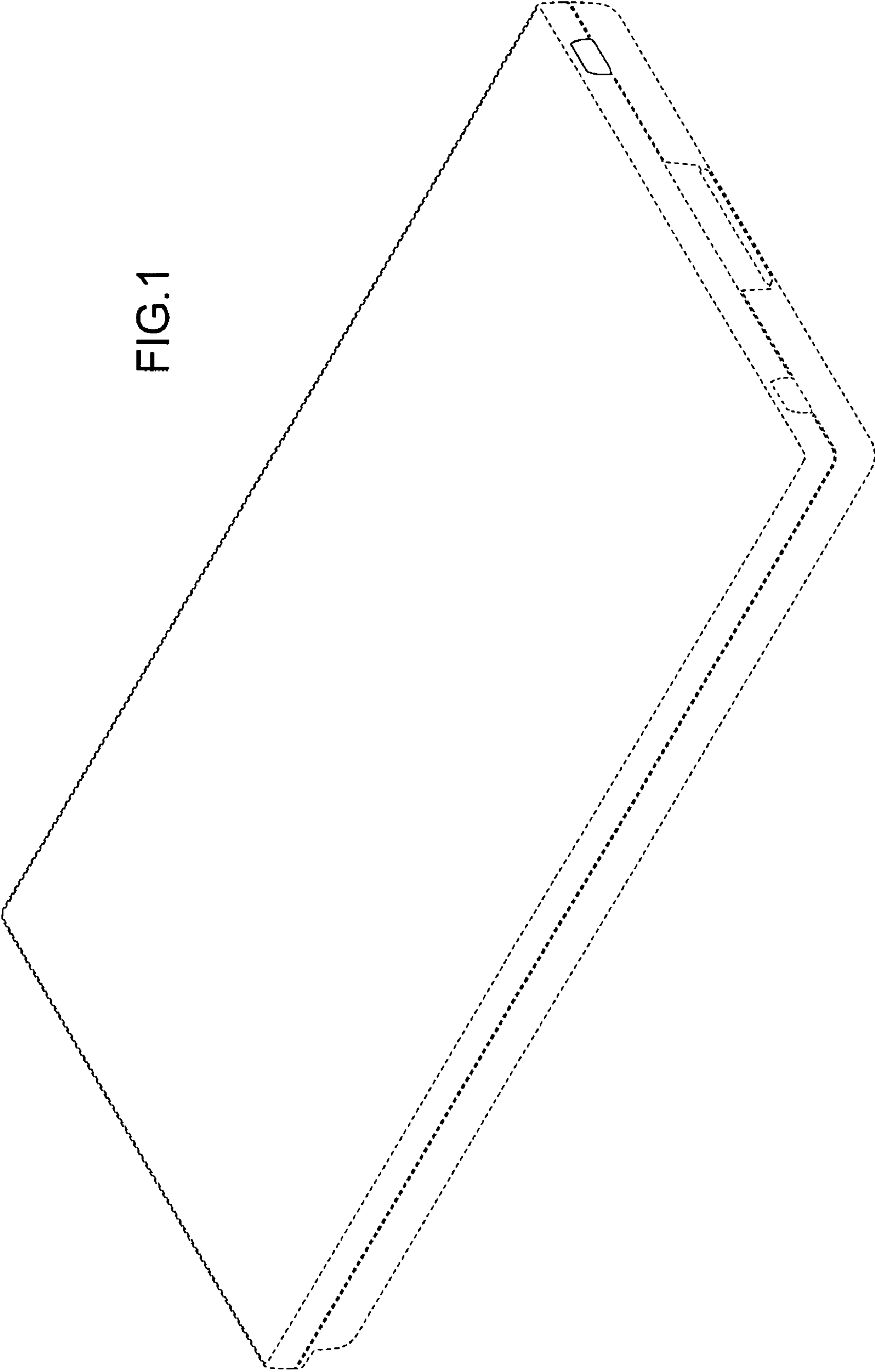


FIG.2

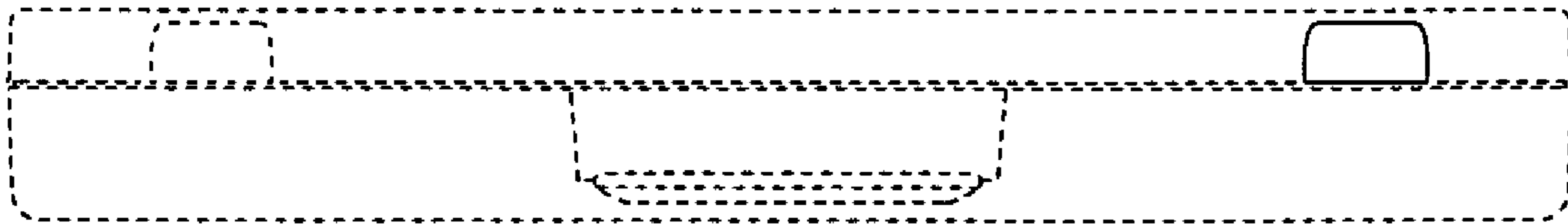


FIG.3

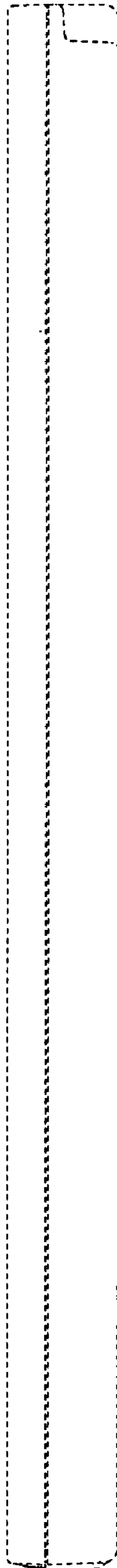


FIG.4

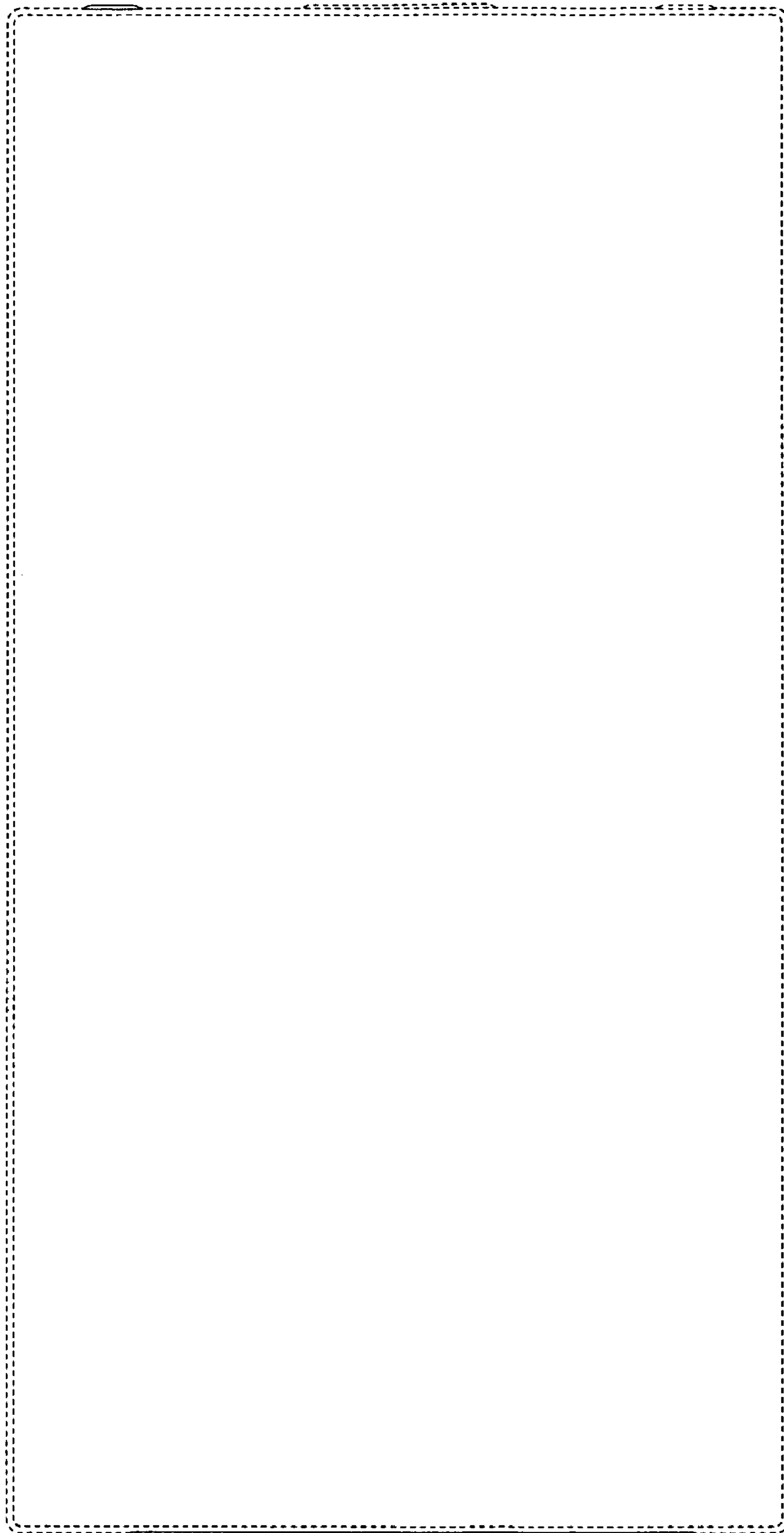


FIG.5

