



US00D666147S

(12) **United States Design Patent**
Bole et al.

(10) **Patent No.:** **US D666,147 S**

(45) **Date of Patent:** **** Aug. 28, 2012**

(54) **SLIDING PEDESTAL OF A STEAM TURBINE**

(56) **References Cited**

(75) Inventors: **Yogendra Kumar Bole**, Bangalore (IN);
Pramodchandra Umakant Gopi,
Bangalore (IN); **Sankar Bhaskarannair**,
Bangalore (IN)

U.S. PATENT DOCUMENTS

D294,247	S	*	2/1988	White et al.	D13/115
D365,569	S	*	12/1995	Kieffer	D15/7
6,183,136	B1	*	2/2001	Dingman	384/204
6,879,055	B2	*	4/2005	Becker et al.	290/55
D511,323	S	*	11/2005	Kato et al.	D13/115

* cited by examiner

(73) Assignee: **Triveni Turbine Limited**, Bangalore
(IN)

Primary Examiner — Derrick Holland

(**) Term: **14 Years**

(57) **CLAIM**

The ornamental design for a sliding pedestal of a steam turbine, as shown and described.

(21) Appl. No.: **29/396,636**

DESCRIPTION

(22) Filed: **Jul. 3, 2011**

(51) **LOC (9) Cl.** **13-01**

(52) **U.S. Cl.** **D13/118**

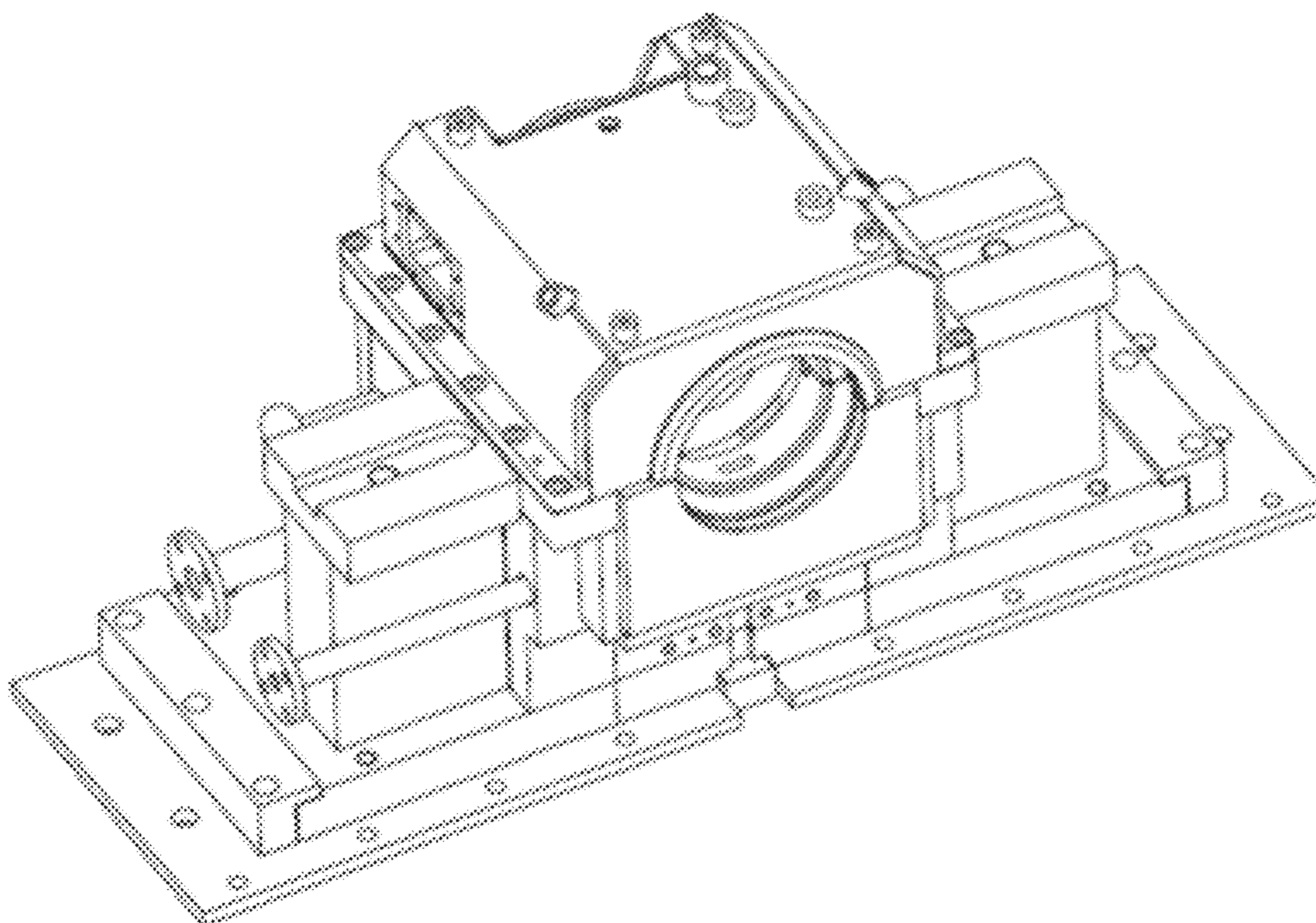
(58) **Field of Classification Search** D13/118,
D13/115, 122, 184, 199; D12/319, 344,
D12/345; D15/1, 5, 7, 199; 290/44, 52,
290/54, 55; 384/198, 202, 204; 415/2.1,
415/4.1, 4.2, 4.5, 7, 907, 916; 416/7, 16,
416/24, 31, 37, 38, 132 B, 132 R, 141, 142,
416/176, 177, 196 A, 243, 244 R

FIG. 1 is a front perspective view of the sliding pedestal of a steam turbine showing the new design;
FIG. 2 is a back perspective view thereof;
FIG. 3 is a top plan view thereof;
FIG. 4 is a bottom plan view thereof;
FIG. 5 is a front elevational view thereof;
FIG. 6 is a back elevational view thereof;
FIG. 7 is a right side elevational view thereof; and,
FIG. 8 is a left side elevational view thereof.

The broken lines shown represent unclaimed subject matter and form no part of the claimed design.

See application file for complete search history.

1 Claim, 4 Drawing Sheets



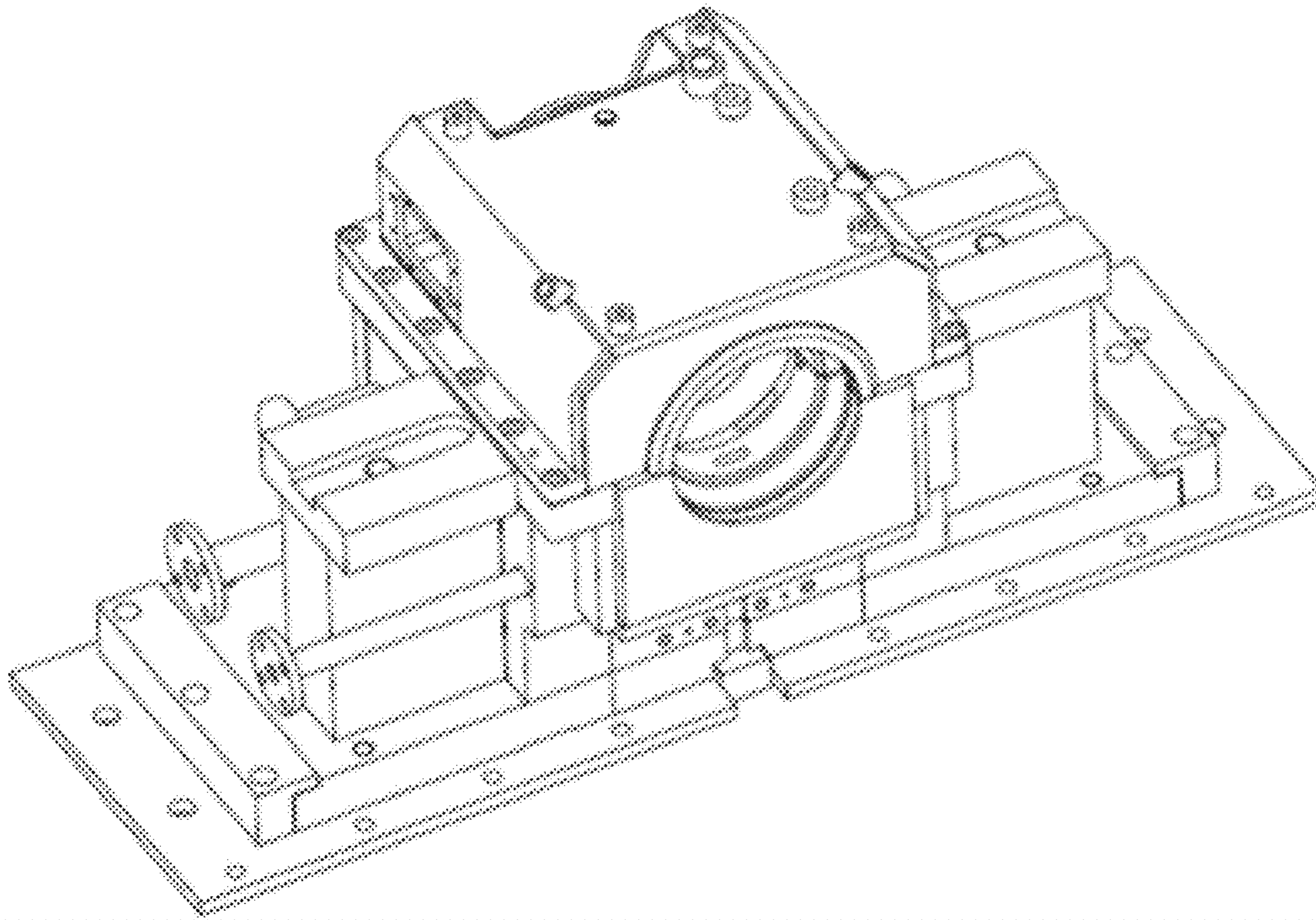


FIG. 1

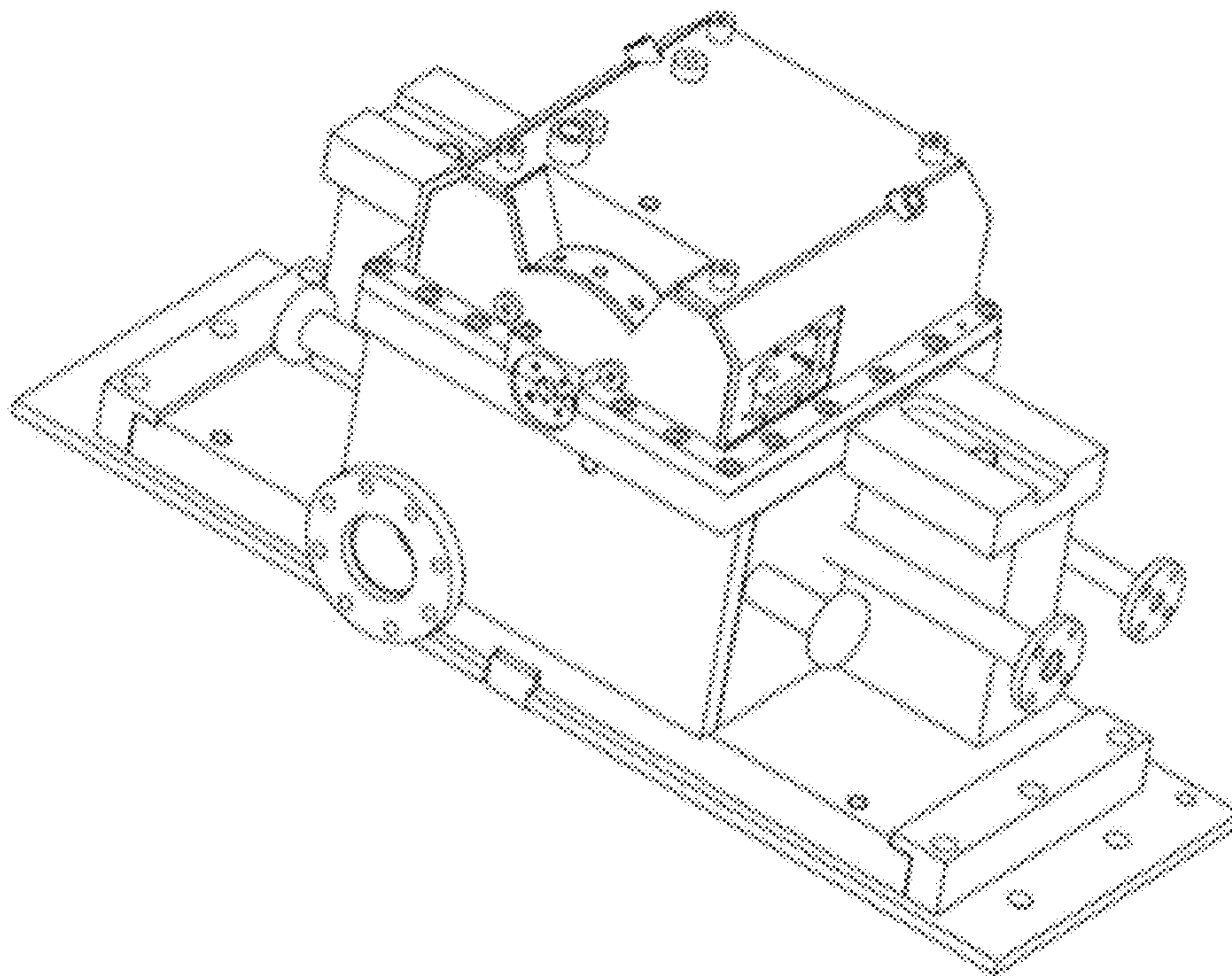


FIG. 2

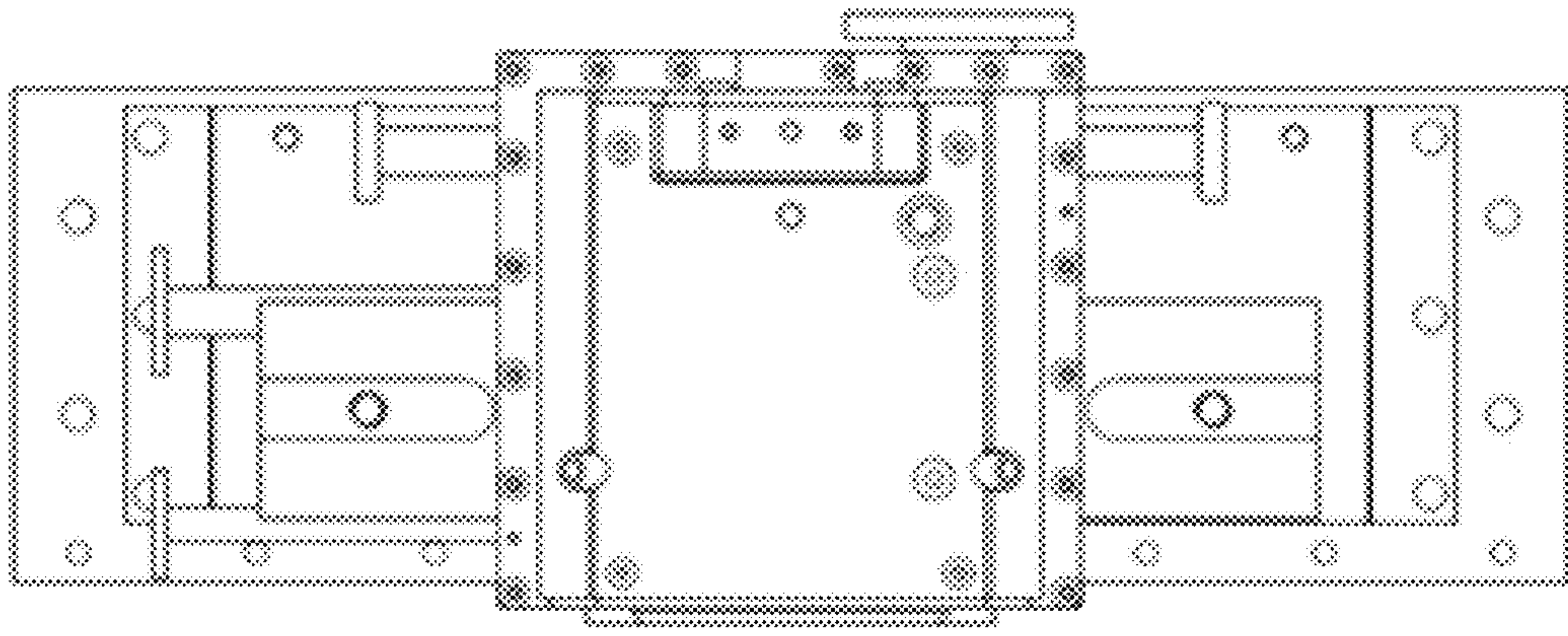


FIG. 3

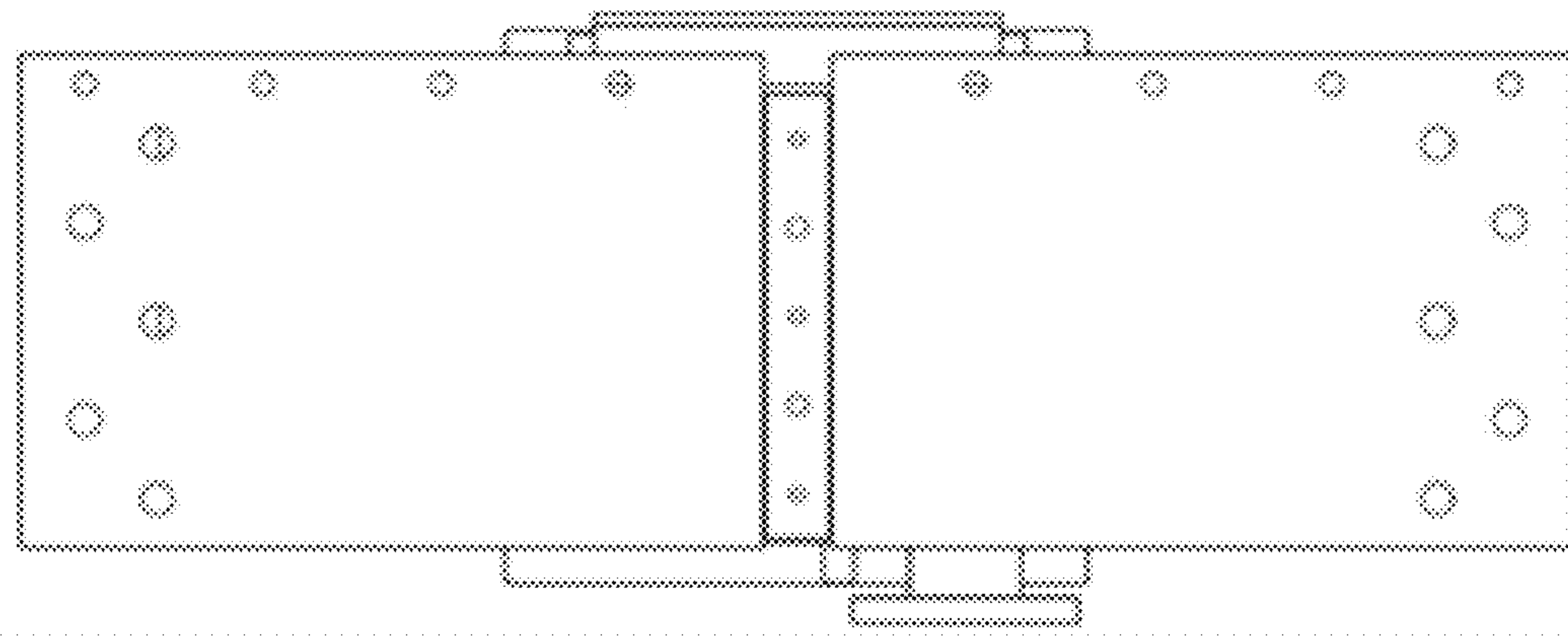


FIG. 4

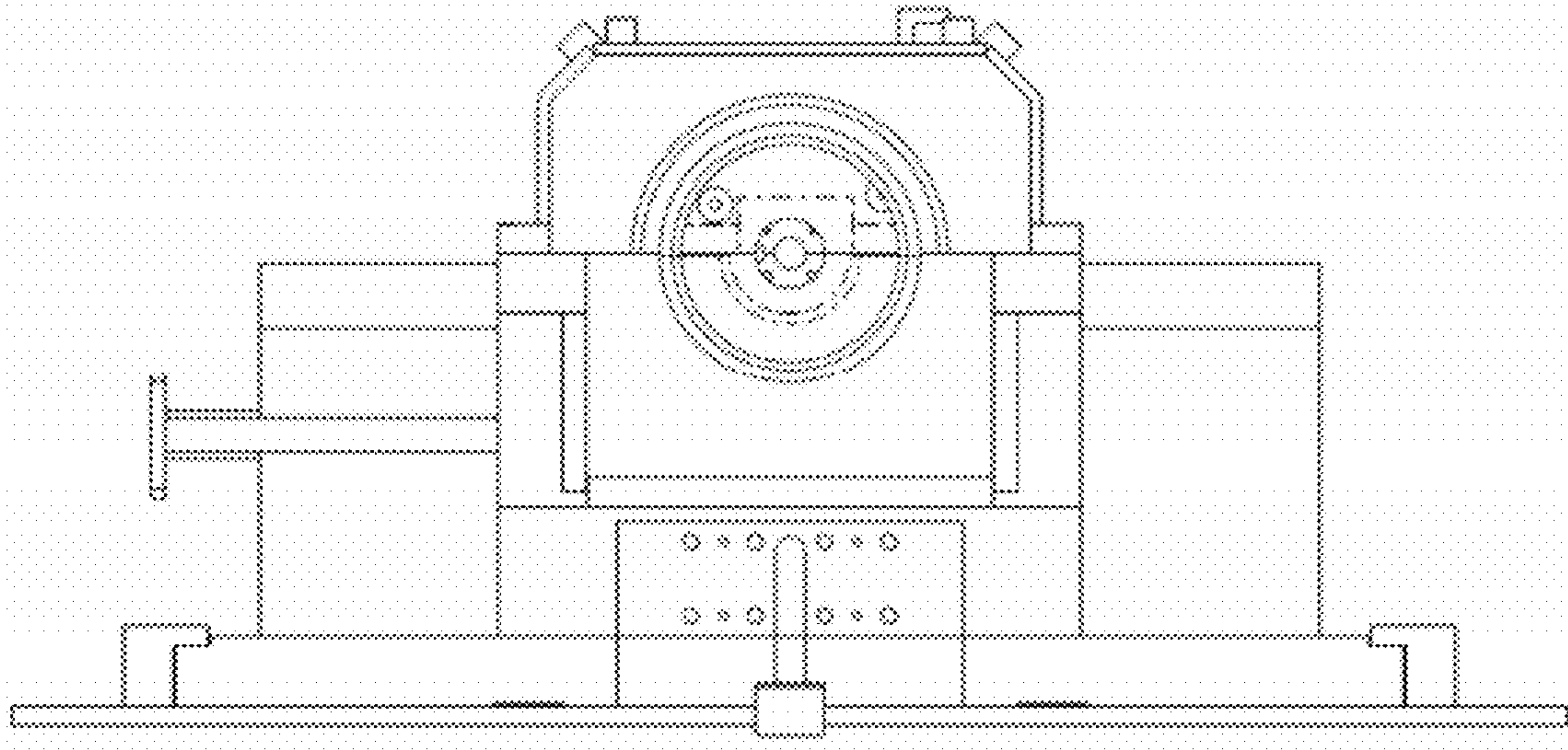


FIG. 5

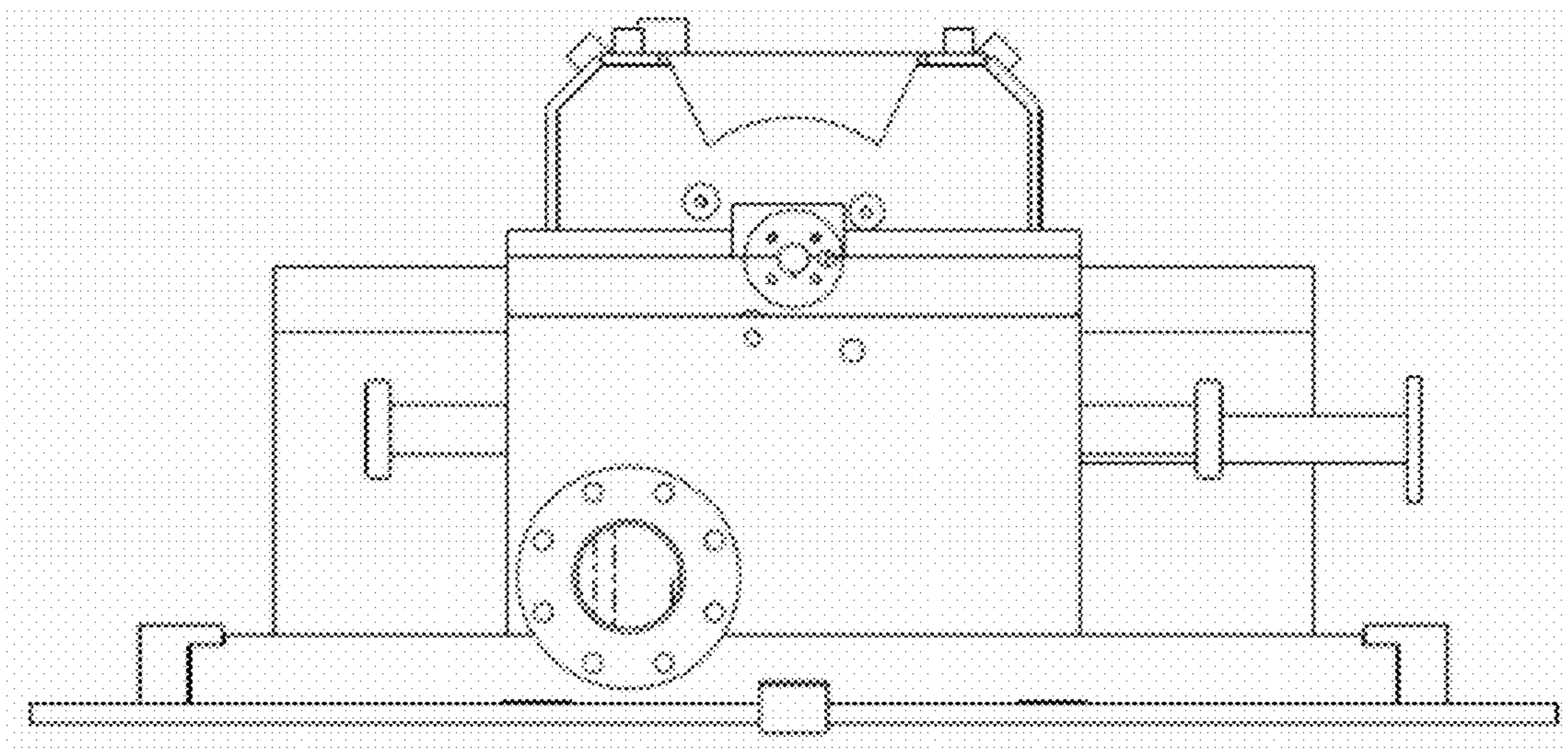


FIG. 6

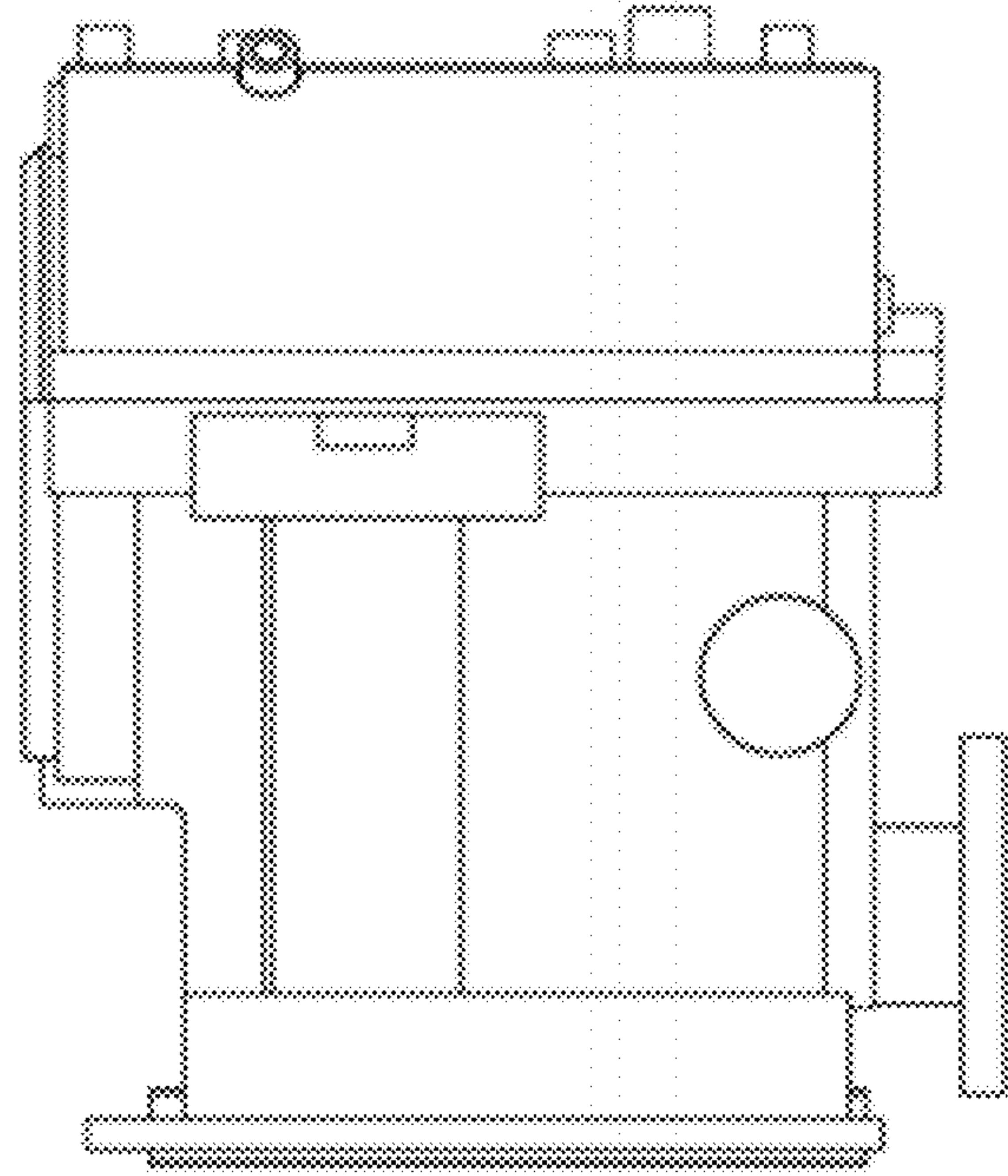


FIG. 7

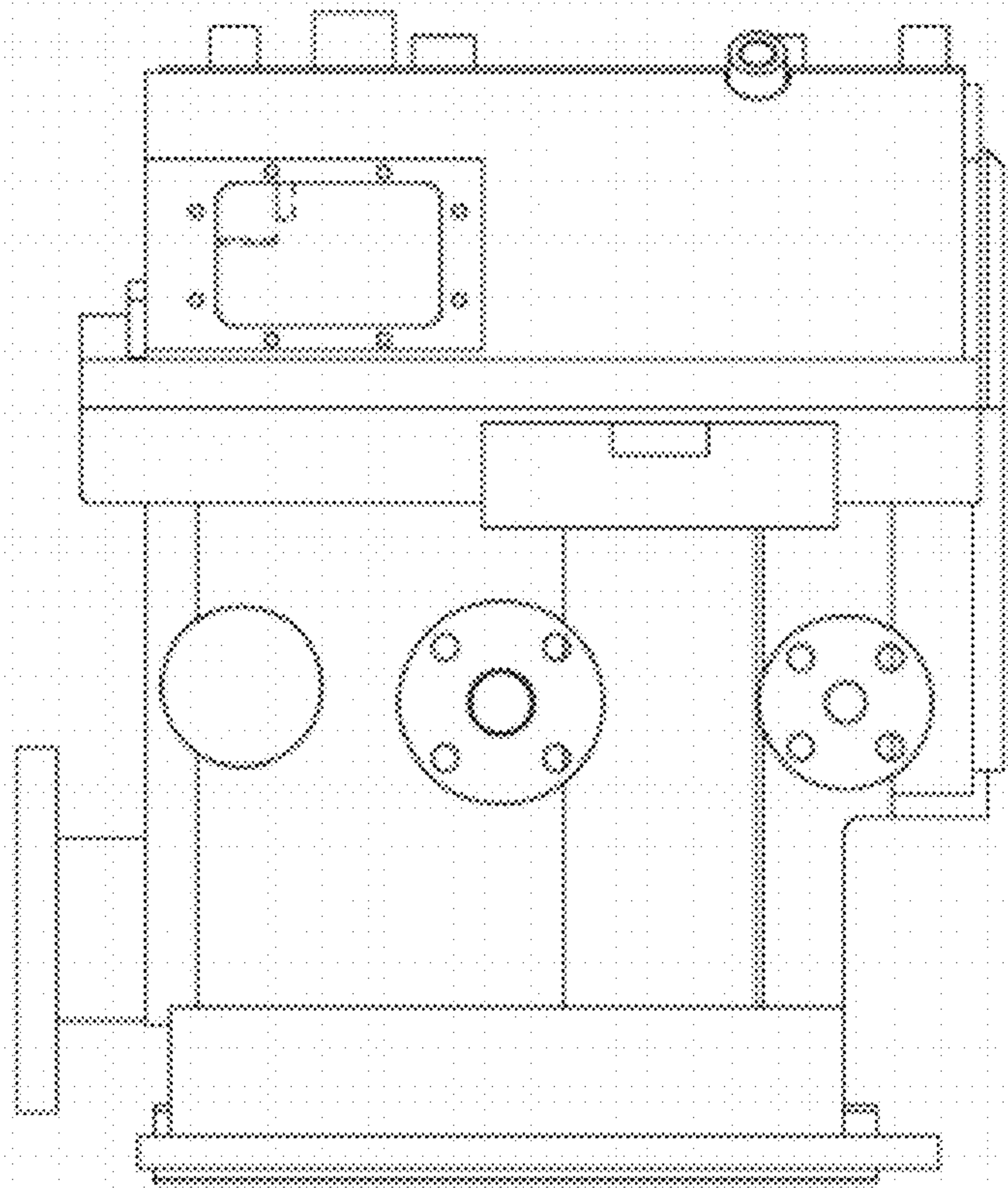


FIG. 8